



US00D676055S

(12) **United States Design Patent**
Izen et al.

(10) **Patent No.:** **US D676,055 S**
(45) **Date of Patent:** **** Feb. 12, 2013**

(54) **TABLET COMPUTER STAND**
(75) Inventors: **Mark S. Izen**, Chestnut Hill, MA (US);
Craig Small, Framingham, MA (US)
(73) Assignee: **First Act, Inc.**, Boston, MA (US)
(**) Term: **14 Years**
(21) Appl. No.: **29/410,747**

D558,774 S * 1/2008 Najima D14/447
D626,964 S * 11/2010 Richardson et al. D14/447
D639,816 S * 6/2011 Bau D14/447
D644,230 S * 8/2011 Lin D14/447
D648,728 S * 11/2011 Atkins et al. D14/447
8,056,871 B2 * 11/2011 Matias 248/176.1
D651,213 S * 12/2011 Magness et al. D14/447
D665,812 S * 8/2012 Huang et al. D14/447
D667,012 S * 9/2012 Chen et al. D14/447
2012/0138766 A1 * 6/2012 Chen 248/456
2012/0170194 A1 * 7/2012 Lord et al. 361/679.02

* cited by examiner

(22) Filed: **Jan. 11, 2012**
(51) **LOC (9) Cl.** **08-07**
(52) **U.S. Cl.** **D14/447**
(58) **Field of Classification Search** D14/447,
D14/432, 434, 433, 439, 440, 448, 451, 452,
D14/457, 460, 217, 239, 238.1, 250, 251,
D14/253; D13/107, 108; D3/218; D6/406.1,
D6/406.3, 406.4, 406.5, 406.6, 419, 420,
D6/429; 361/679.02, 679.09, 679.19, 679.21,
361/679.22, 679.23, 679.26, 679.27, 679.3,
361/679.55, 679.56, 679.6; 248/917-924,
248/136, 150, 152, 153, 371, 166, 176.1,
248/176.3, 188.6, 676, 678, 441.1, 444.1,
248/447, 447.1, 447.2, 451, 454, 455, 456,
248/460, 463, 465.1

Primary Examiner — Angela J Lee
(74) *Attorney, Agent, or Firm* — Lando & Anastasi, LLP

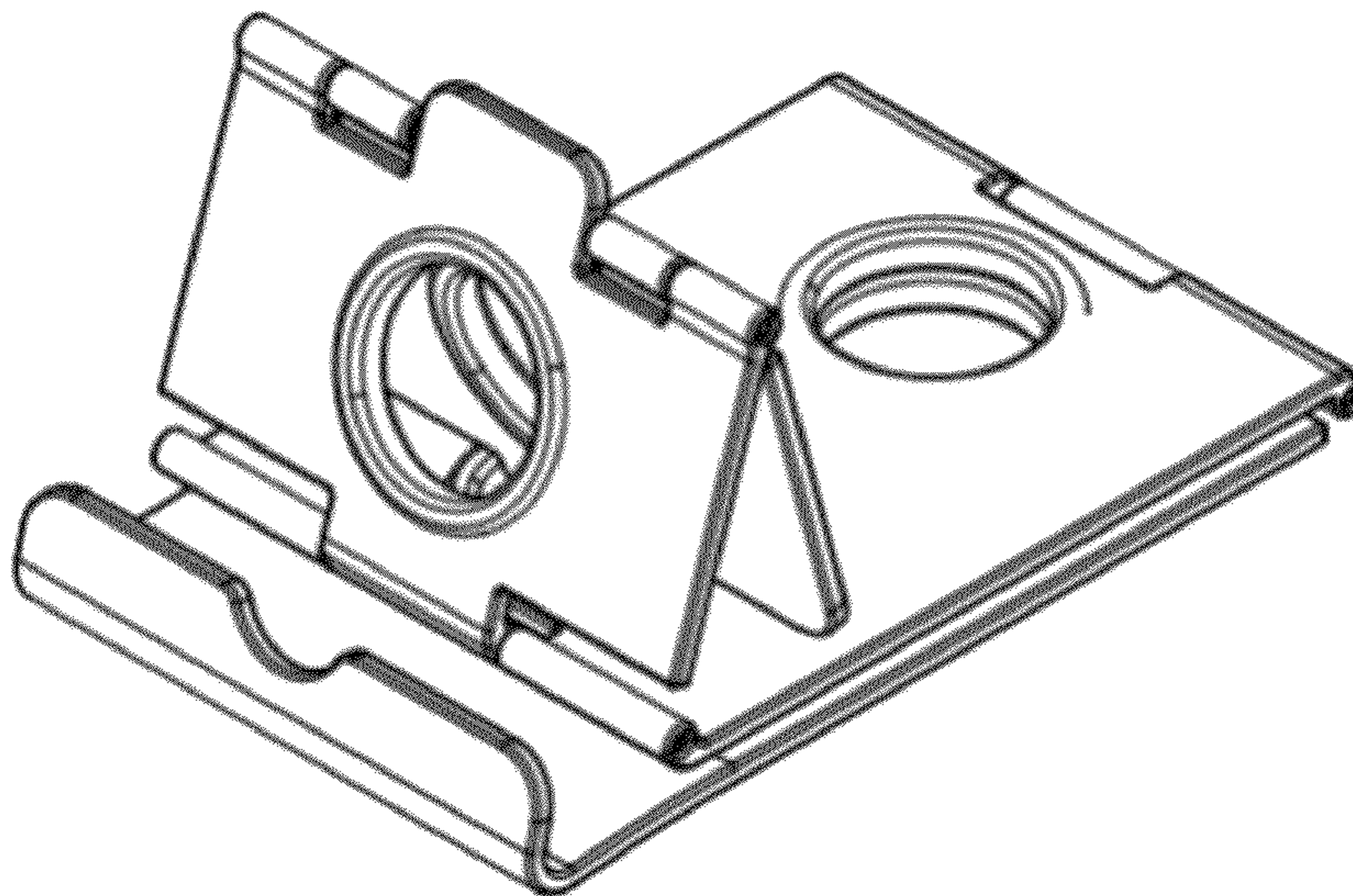
See application file for complete search history.

(57) **CLAIM**
The ornamental design for a tablet computer stand, as shown and described.

(56) **References Cited**
U.S. PATENT DOCUMENTS
D494,977 S * 8/2004 Persson D14/447
D554,647 S * 11/2007 Chan D14/447

DESCRIPTION
FIG. 1 is a perspective view of the tablet computer stand according to our new design.
FIG. 2 is a top plan view.
FIG. 3 is a bottom plan view.
FIG. 4 is an elevation view as seen from the right side in FIG. 2.
FIG. 5 is an elevation view as seen from the left side in FIG. 2.
FIG. 6 is an elevation view as seen from the top in FIG. 2; and, FIG. 7 is an elevation view as seen from the bottom in FIG. 2.

1 Claim, 7 Drawing Sheets



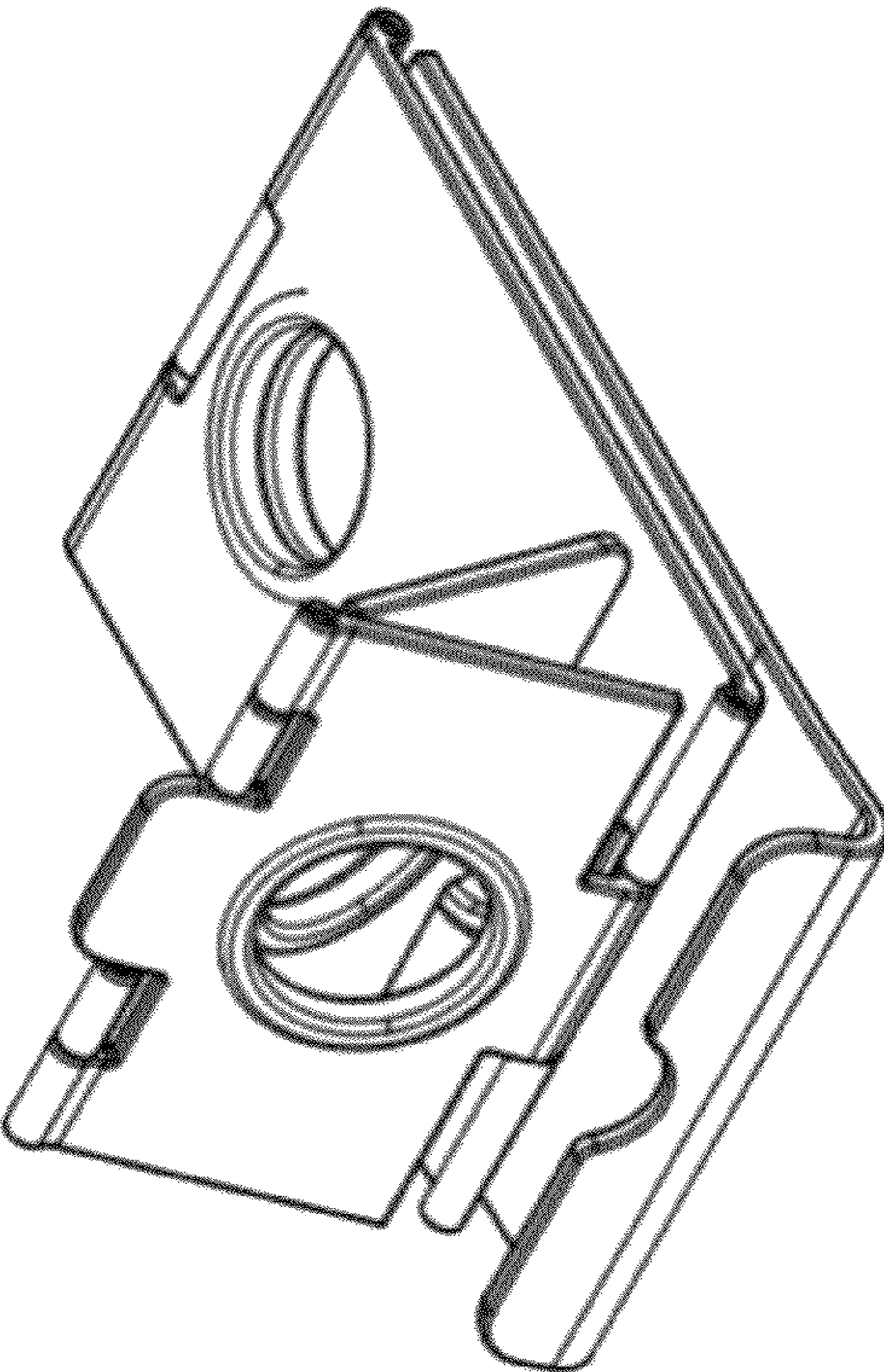


Fig. 1

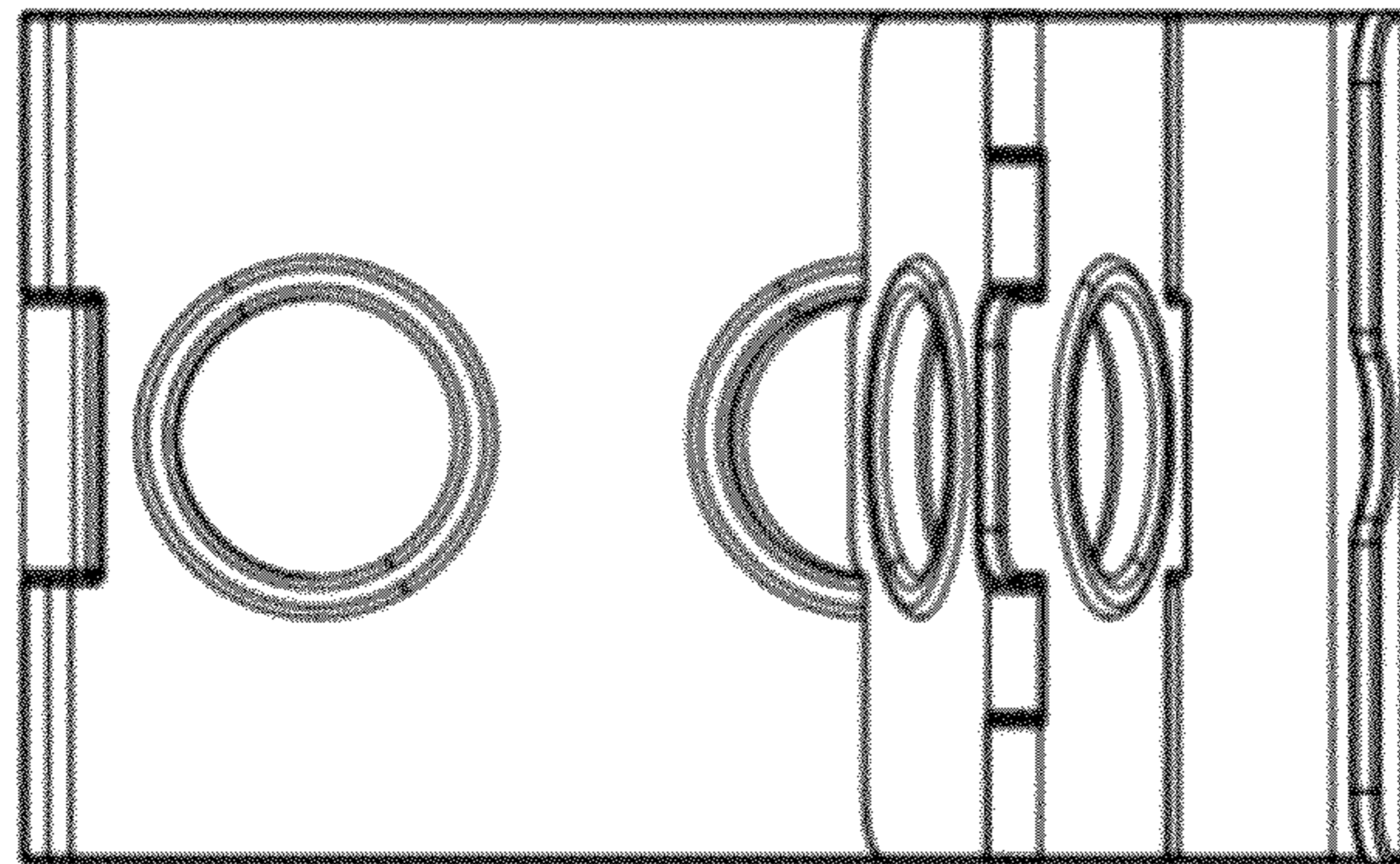


Fig. 2

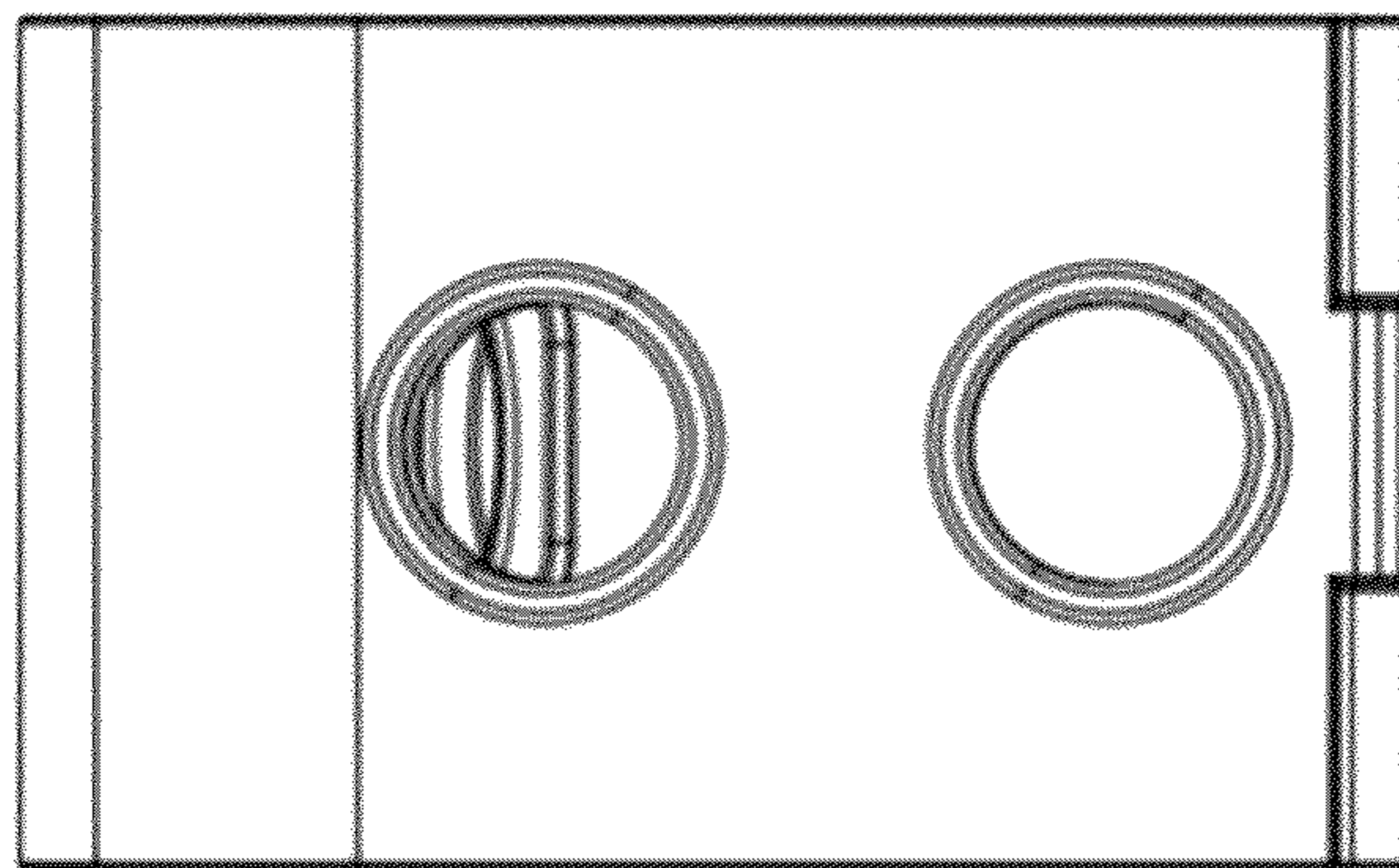


Fig. 3

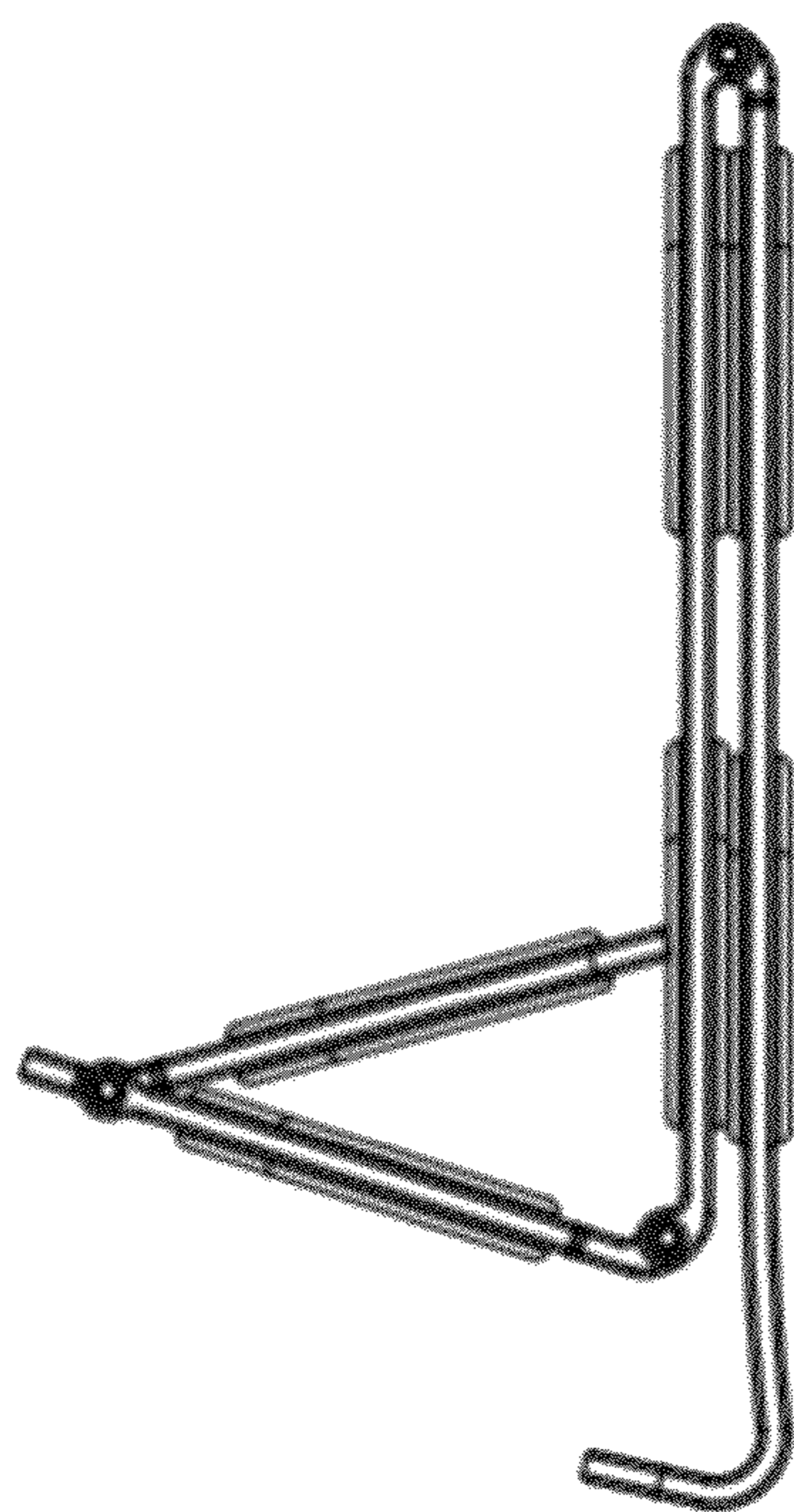


Fig. 4

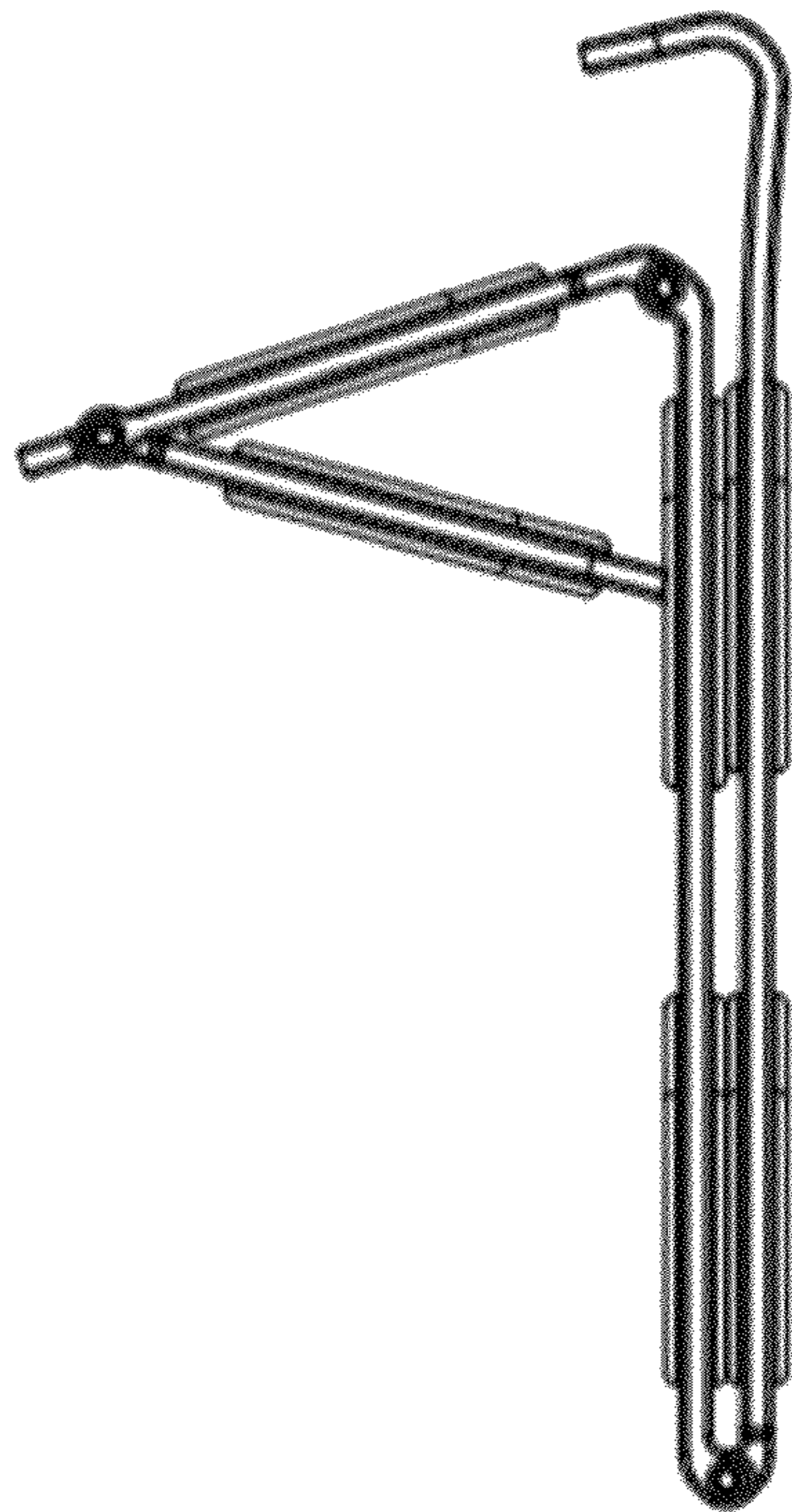


Fig. 5

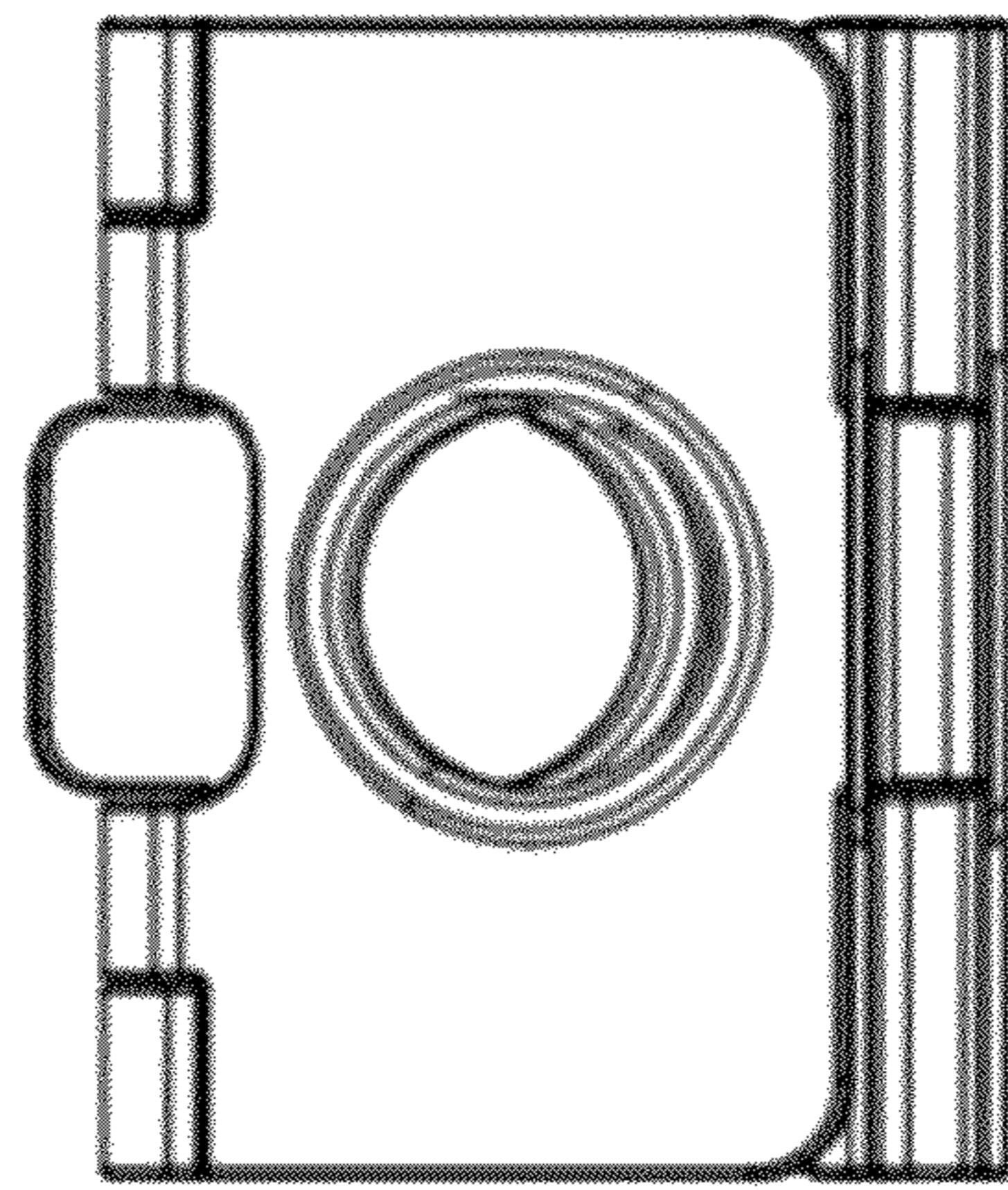


Fig. 6

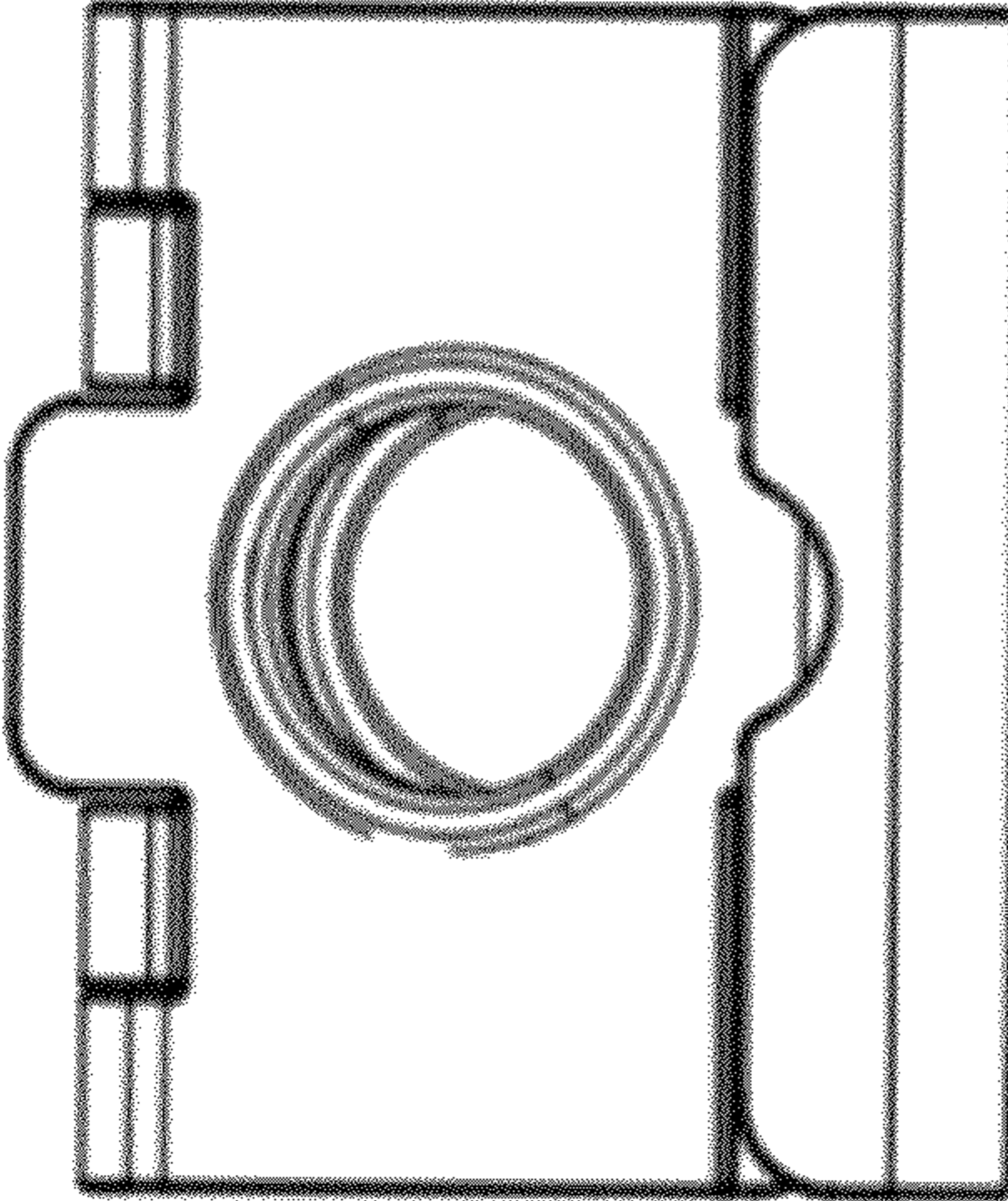


Fig. 7