

US00D676054S

(12) **United States Design Patent**  
**Izen et al.**

(10) **Patent No.:** **US D676,054 S**  
(45) **Date of Patent:** **\*\* Feb. 12, 2013**

(54) **TABLET COMPUTER STAND**

(75) Inventors: **Mark S. Izen**, Chestnut Hill, MA (US);  
**Craig Small**, Framingham, MA (US);  
**Gabriel Joseph Viani**, Salem, MA (US)

(73) Assignee: **First Act, Inc.**, Boston, MA (US)

(\*\*) Term: **14 Years**

(21) Appl. No.: **29/410,746**

(22) Filed: **Jan. 11, 2012**

(51) **LOC (9) Cl.** ..... **08-07**

(52) **U.S. Cl.** ..... **D14/447**

(58) **Field of Classification Search** ..... D14/447,  
D14/432, 434, 433, 439, 440, 448, 451, 452,  
D14/457, 460, 217, 239, 238.1, 250, 251,  
D14/253; D13/107, 108; D3/218; D6/406.1,  
D6/406.3, 406.4, 406.5, 406.6, 419, 420,  
D6/429; 361/679.02, 679.09, 679.19, 679.21,  
361/679.22, 679.23, 679.26, 679.27, 679.3,  
361/679.55, 679.56, 679.6; 248/917-924,  
248/136, 150, 152, 153, 371, 166, 176.1,  
248/176.3, 188.6, 676, 678, 441.1, 444.1,  
248/447, 447.1, 447.2, 451, 454, 455, 456,  
248/460, 463, 465.1

See application file for complete search history.

(56) **References Cited**

**U.S. PATENT DOCUMENTS**

D494,977 S \* 8/2004 Persson ..... D14/447  
D510,517 S \* 10/2005 Noack ..... D8/373

D554,647 S \* 11/2007 Chan ..... D14/447  
D558,774 S \* 1/2008 Najima ..... D14/447  
D571,815 S \* 6/2008 Chung ..... D14/447  
D639,816 S \* 6/2011 Bau ..... D14/447  
D648,728 S \* 11/2011 Atkins et al. .... D14/447  
8,056,871 B2 \* 11/2011 Matias ..... 248/176.1  
D651,213 S \* 12/2011 Magness et al. .... D14/447  
D652,043 S \* 1/2012 Lee ..... D14/447  
2009/0179132 A1 \* 7/2009 Qin et al. .... 248/371  
2011/0253850 A1 \* 10/2011 Bau ..... 248/176.3  
2012/0138766 A1 \* 6/2012 Chen ..... 248/456

\* cited by examiner

*Primary Examiner* — Angela J Lee

(74) *Attorney, Agent, or Firm* — Lando & Anastasi, LLP

(57) **CLAIM**

The ornamental design for a tablet computer stand, as shown and described.

**DESCRIPTION**

FIG. 1 is a perspective view of the tablet computer stand according to our new design.

FIG. 2 is a top plan view.

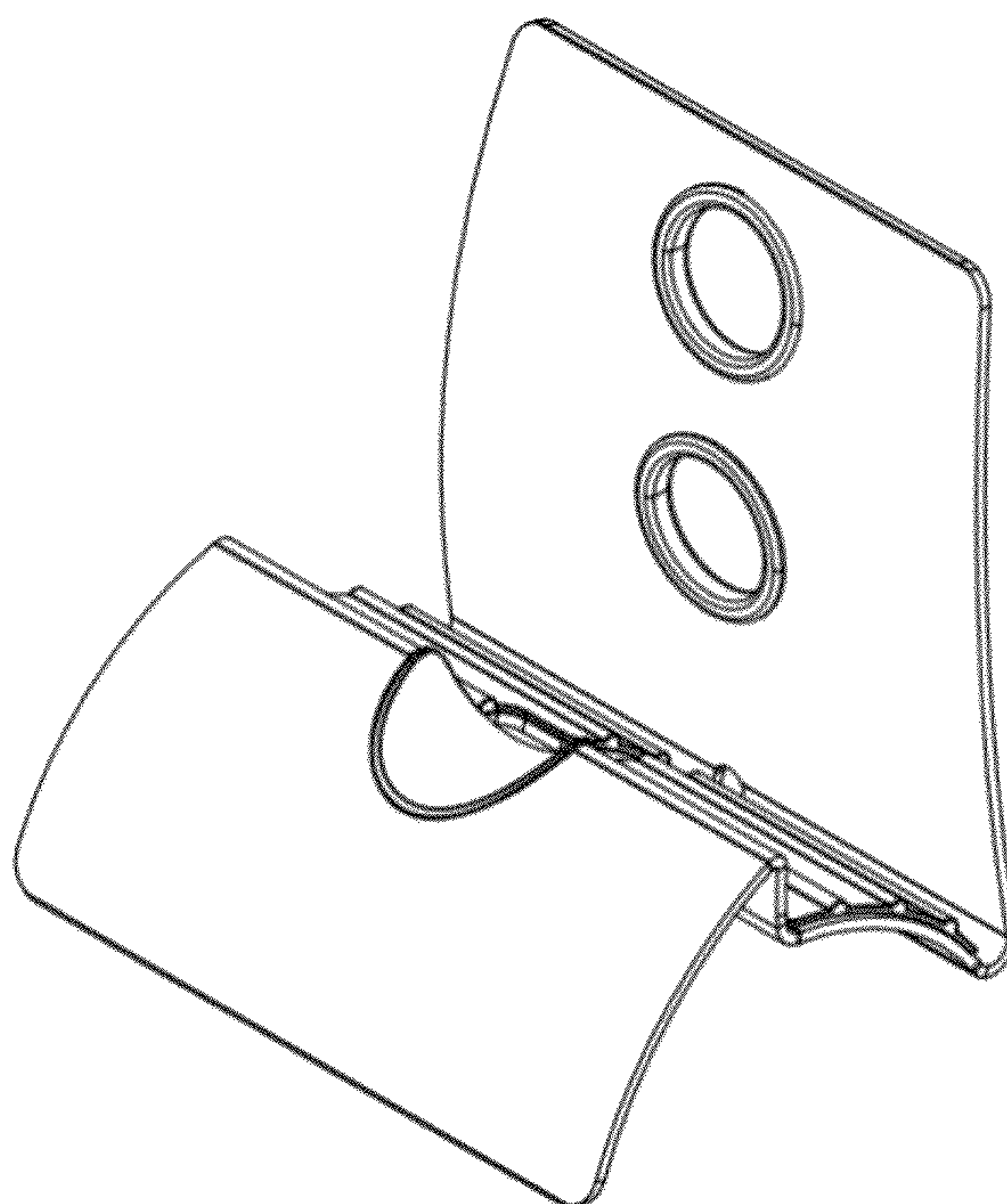
FIG. 3 is a bottom plan view.

FIG. 4 is an elevation view as seen from the right side in FIG. 2.

FIG. 5 is an elevation view as seen from the left side in FIG. 2.

FIG. 6 is an elevation view as seen from the top in FIG. 2; and, FIG. 7 is an elevation view as seen from the bottom in FIG. 2.

**1 Claim, 7 Drawing Sheets**



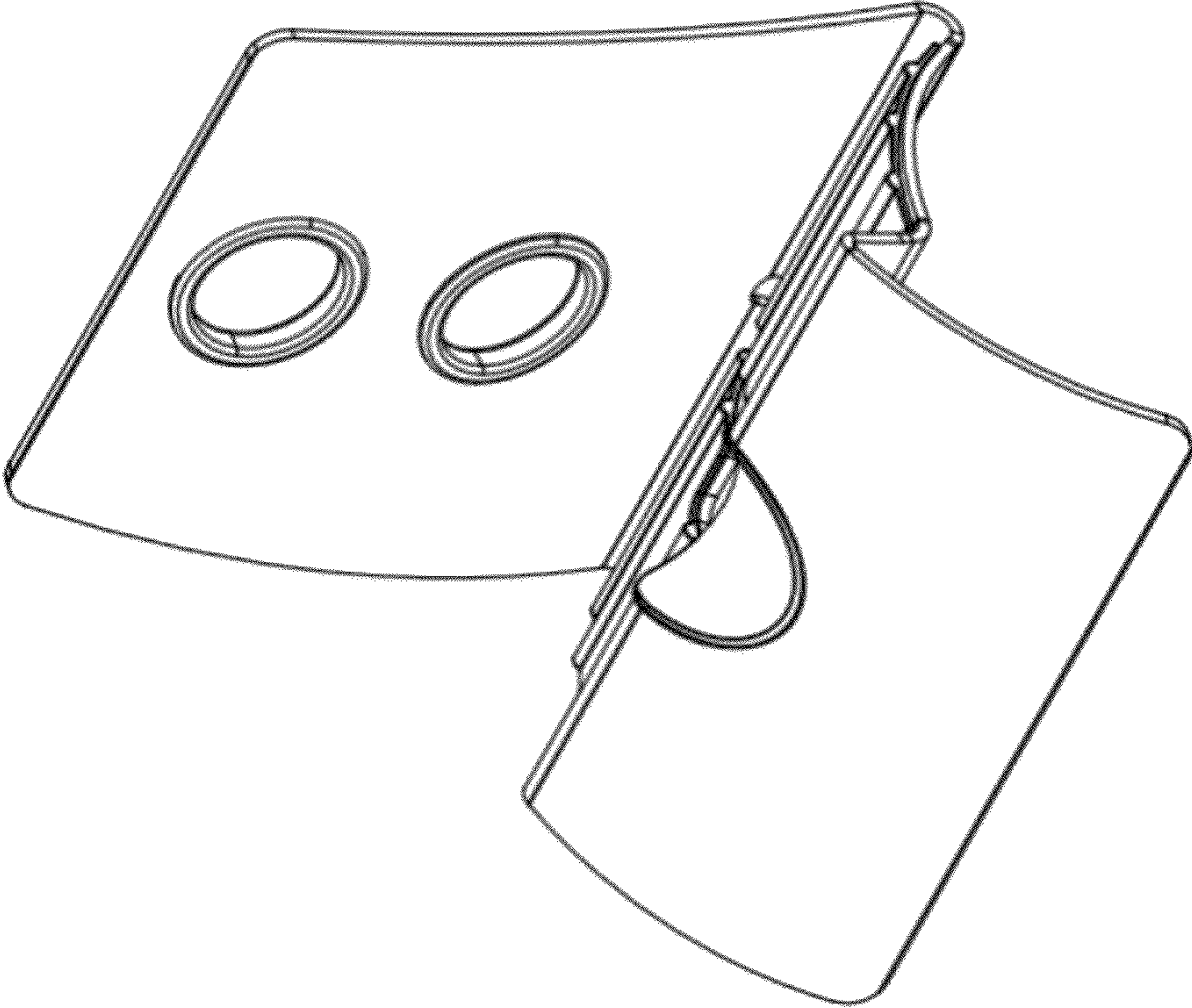


Fig. 1

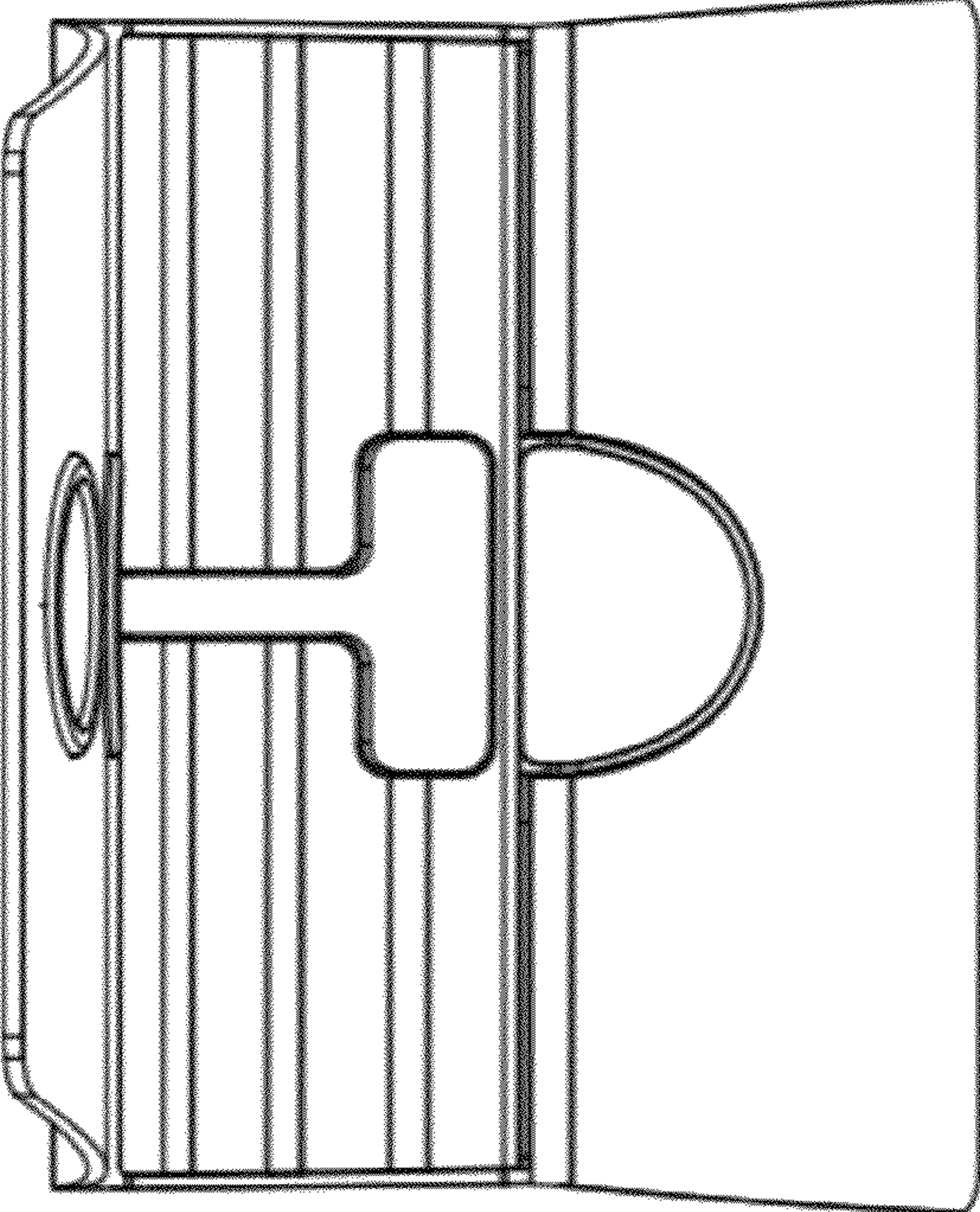


Fig. 2



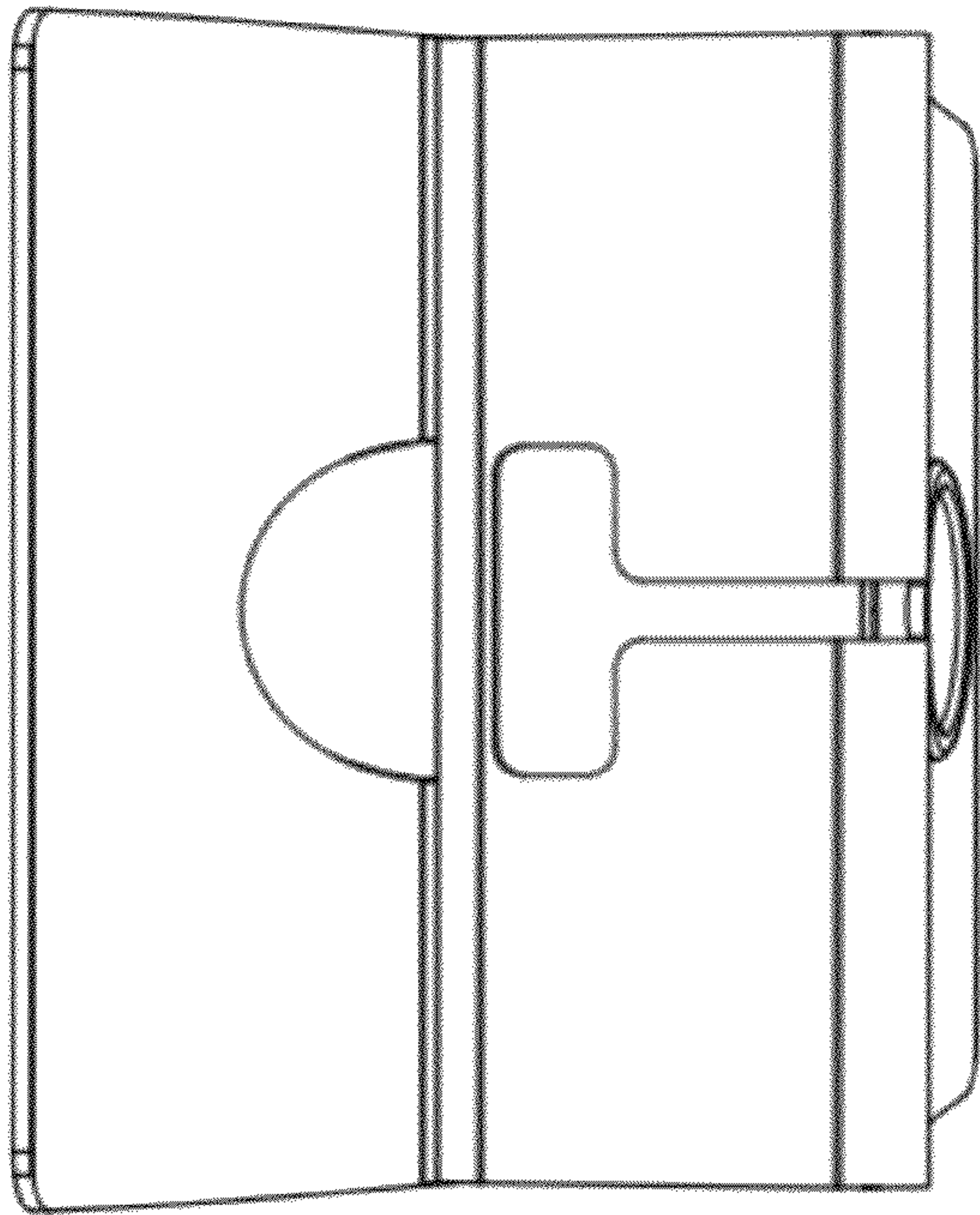


Fig. 3

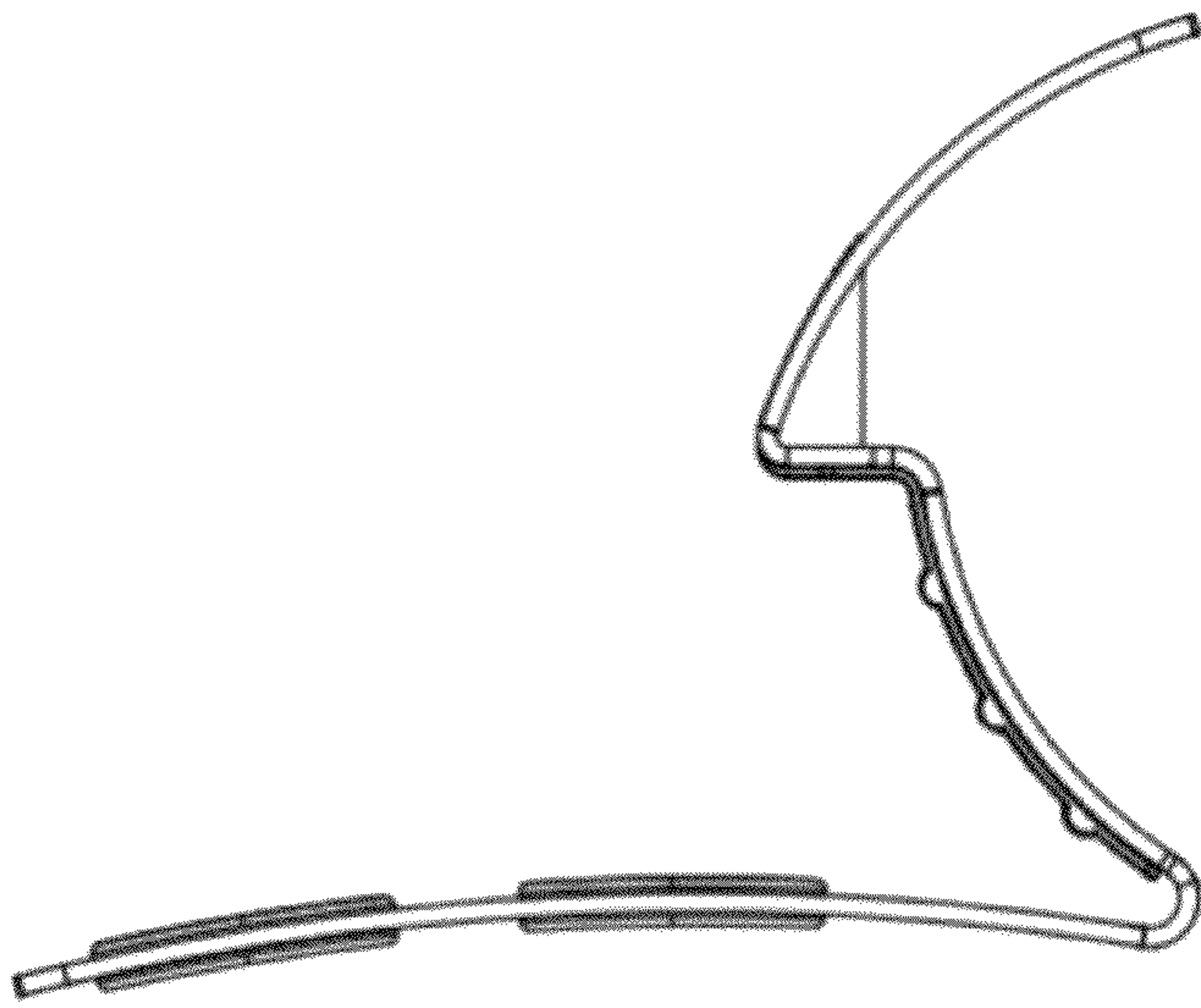


Fig. 4

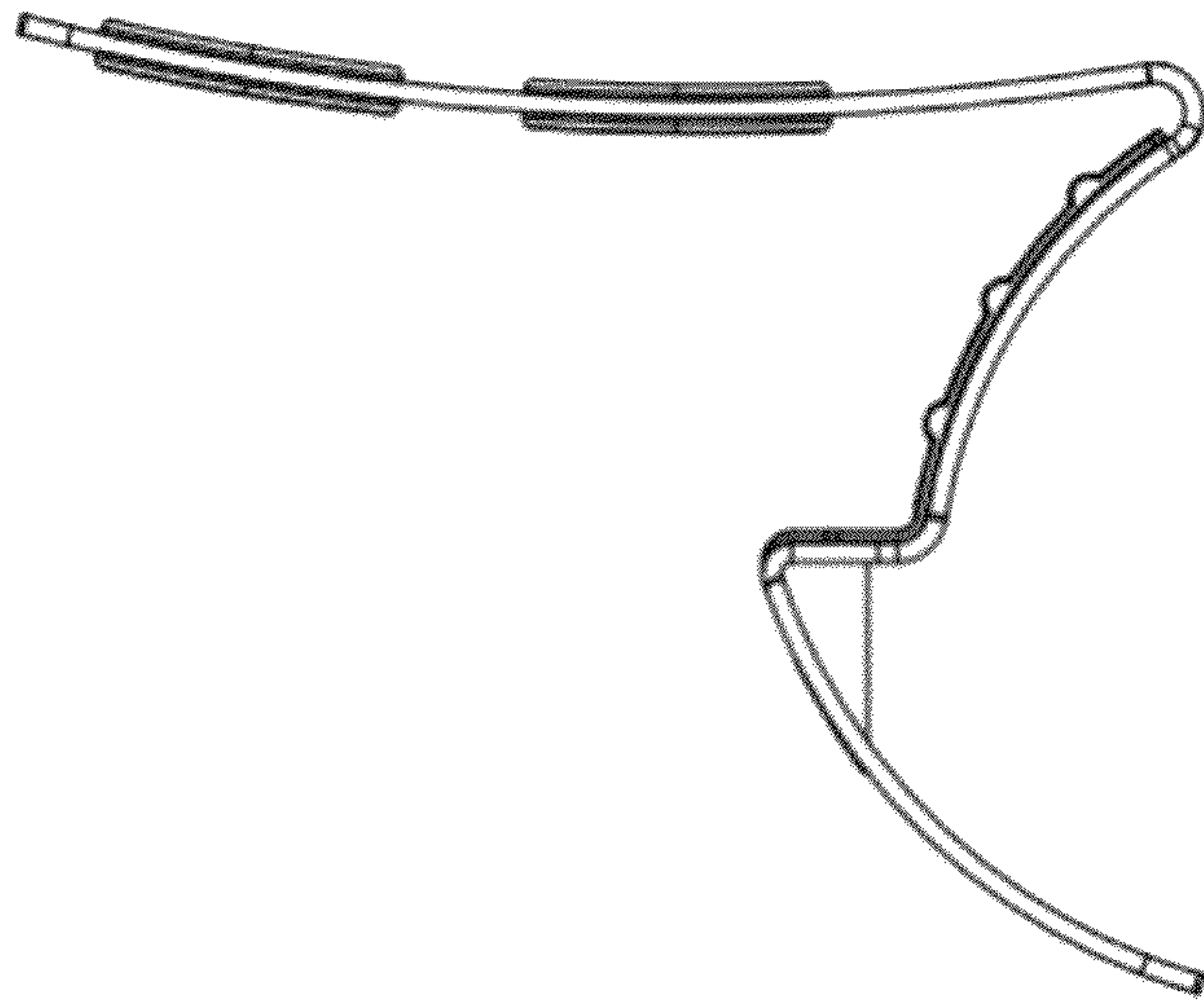


Fig. 5

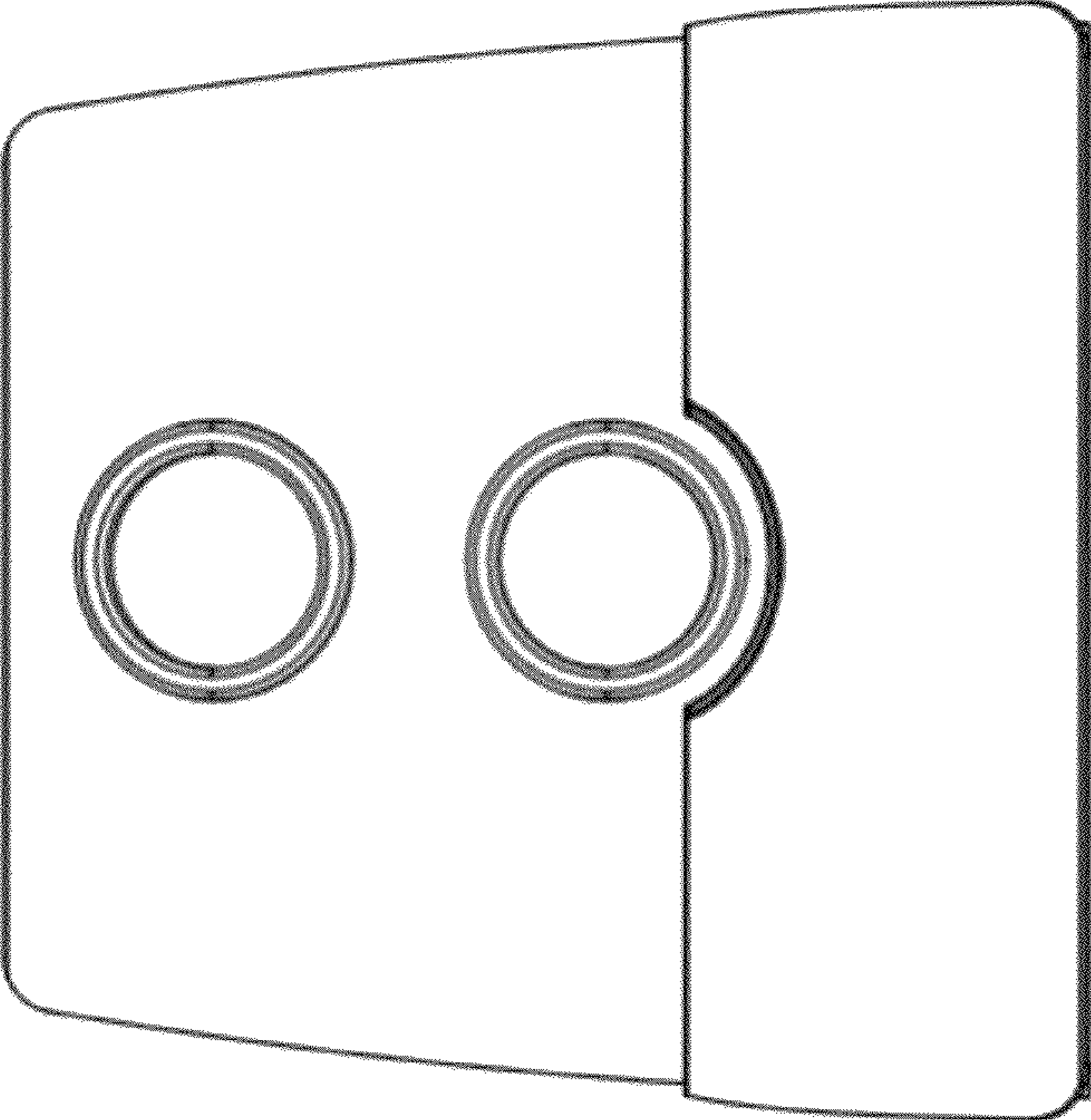


Fig. 6

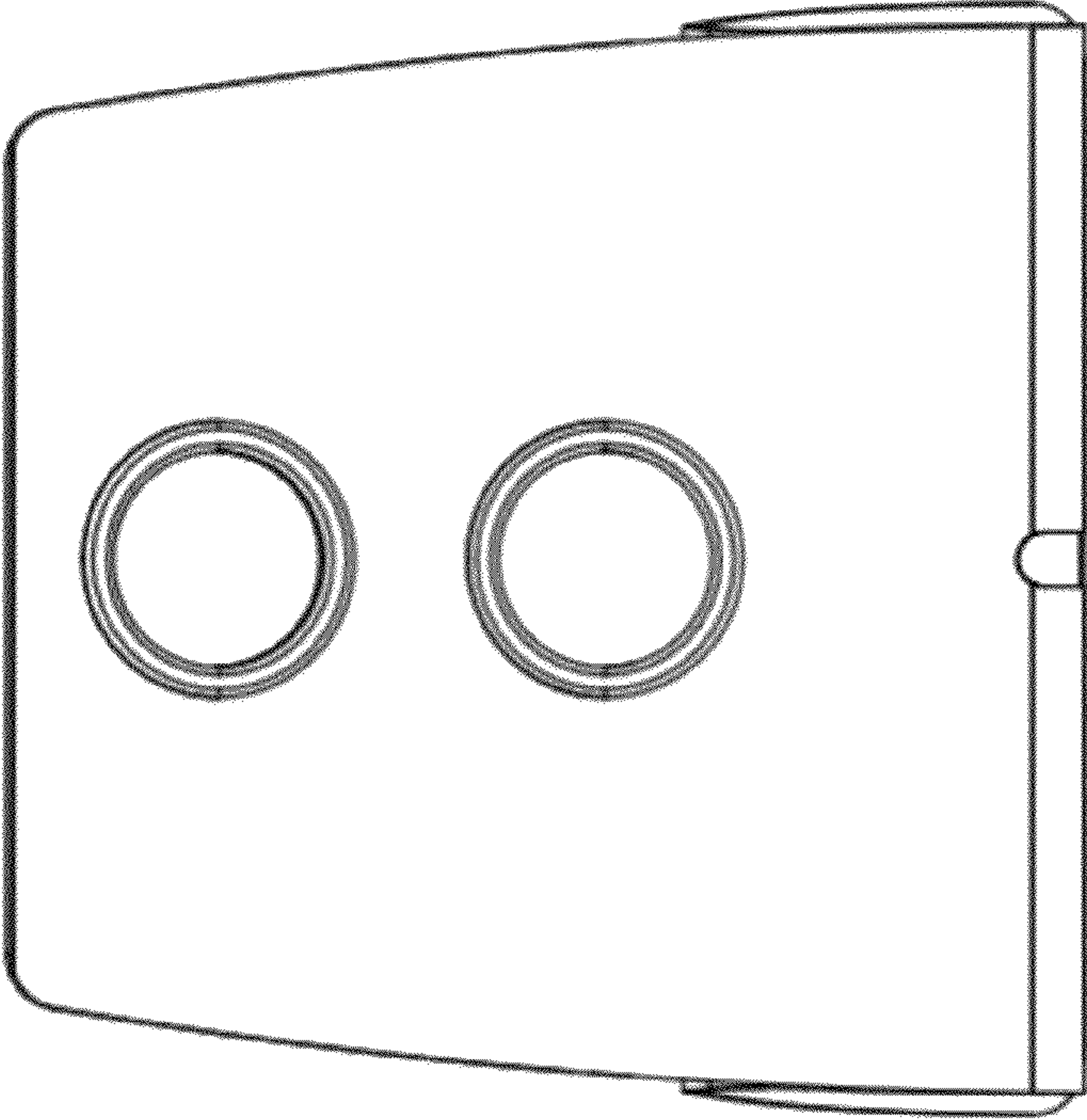


Fig. 7