

US00D676050S

(12) **United States Design Patent**
Sanz

(10) **Patent No.:** **US D676,050 S**

(45) **Date of Patent:** **** Feb. 12, 2013**

(54) **COMPUTER TABLET STAND**

(75) Inventor: **Victor Sanz**, Whitehouse Station, NJ (US)

(73) Assignee: **Tumi, Inc.**, South Plainfield, NJ (US)

(**) Term: **14 Years**

(21) Appl. No.: **29/407,987**

(22) Filed: **Dec. 6, 2011**

(51) **LOC (9) Cl.** **14-02**

(52) **U.S. Cl.** **D14/440**

(58) **Field of Classification Search** D14/250,
D14/251, 253, 240, 217, 496, 440, 203.3,
D14/203.4, 203.5, 203.8, 432, 439, 300, 447,
D14/346, 443; D3/218, 215, 201; 220/4.02;
248/309.1, 459; 361/679.56, 679.03; 379/426,
379/433.11, 455; 455/575.1, 575.8; 190/100;
206/305, 320; D19/86

See application file for complete search history.

(56) **References Cited**

U.S. PATENT DOCUMENTS

681,976	A *	9/1901	Rathvon	248/456
1,370,279	A *	3/1921	Burzynski	211/43
2,354,782	A *	8/1944	Stradling et al.	281/16
2,726,835	A *	12/1955	Hummel	248/459
4,318,527	A *	3/1982	Smith	248/459
4,703,160	A *	10/1987	Narishima et al.	235/1 D
4,718,550	A *	1/1988	Johnson	206/387.13
D466,356	S *	12/2002	Marsilio	D6/632
6,493,969	B2 *	12/2002	Devos	40/120
D469,438	S *	1/2003	Corrales	D14/432
D471,008	S *	3/2003	Dubone	D3/247
D478,623	S *	8/2003	Wilburn	D19/26
6,646,672	B2 *	11/2003	Feierbach	348/14.02
D546,878	S *	7/2007	Bharma	D19/26
7,318,521	B2 *	1/2008	Lau	206/45.24
D581,865	S *	12/2008	Koza	D13/102
D584,314	S *	1/2009	Davis et al.	D14/440
7,542,052	B2 *	6/2009	Solomon et al.	345/659
D609,226	S *	2/2010	Hofer et al.	D14/248
8,016,107	B2 *	9/2011	Emsky	206/320
D646,266	S *	10/2011	Kim et al.	D14/250
D648,529	S *	11/2011	Brown	D3/269

D654,069	S *	2/2012	Kwon et al.	D14/250
8,132,670	B1 *	3/2012	Chen	206/320
D659,139	S *	5/2012	Gengler	D14/392
D662,100	S *	6/2012	Van Den Nieuwenhuizen et al.	D14/440
D662,503	S *	6/2012	Akana et al.	D14/439
D663,304	S *	7/2012	Akana et al.	D14/440
8,230,992	B2 *	7/2012	Law et al.	206/320
D665,809	S *	8/2012	Wang et al.	D14/439
8,235,208	B2 *	8/2012	Sirichai et al.	206/320
8,245,843	B1 *	8/2012	Wu	206/320
2009/0194209	A1 *	8/2009	De Filippis et al.	150/107
2010/0289390	A1 *	11/2010	Kenney	312/223.1
2012/0043231	A1 *	2/2012	Perrier et al.	206/216
2012/0170212	A1 *	7/2012	Gallouzi et al.	361/679.56
2012/0194448	A1 *	8/2012	Rothkopf	345/173
2012/0212896	A1 *	8/2012	Schulz	361/679.02

* cited by examiner

Primary Examiner — Cynthia Underwood

(74) *Attorney, Agent, or Firm* — Jon Fallon, Esq.

(57) **CLAIM**

The ornamental design for a computer tablet stand, as shown and described.

DESCRIPTION

FIG. 1 depicts a perspective view of a computer tablet stand, showing the novel design;
 FIG. 2 depicts a front view of a computer tablet stand, showing the novel design;
 FIG. 3 depicts a top view of a computer tablet stand, showing the novel design;
 FIG. 4 depicts a rear view of a computer tablet stand, showing the novel design;
 FIG. 5 depicts a bottom view of a computer tablet stand, showing the novel design;
 FIG. 6 depicts a side perspective view of a computer tablet stand, showing the novel design;
 FIG. 7 depicts an alternate side perspective view of a computer tablet stand, showing the novel design;
 FIG. 8 depicts a side perspective view of a computer tablet stand, showing the novel design; and,
 FIG. 9 depicts an alternate side perspective view of a computer tablet stand, showing the novel design.
 The broken lines are included for illustrative purposes only and form no part of the claim.

1 Claim, 7 Drawing Sheets

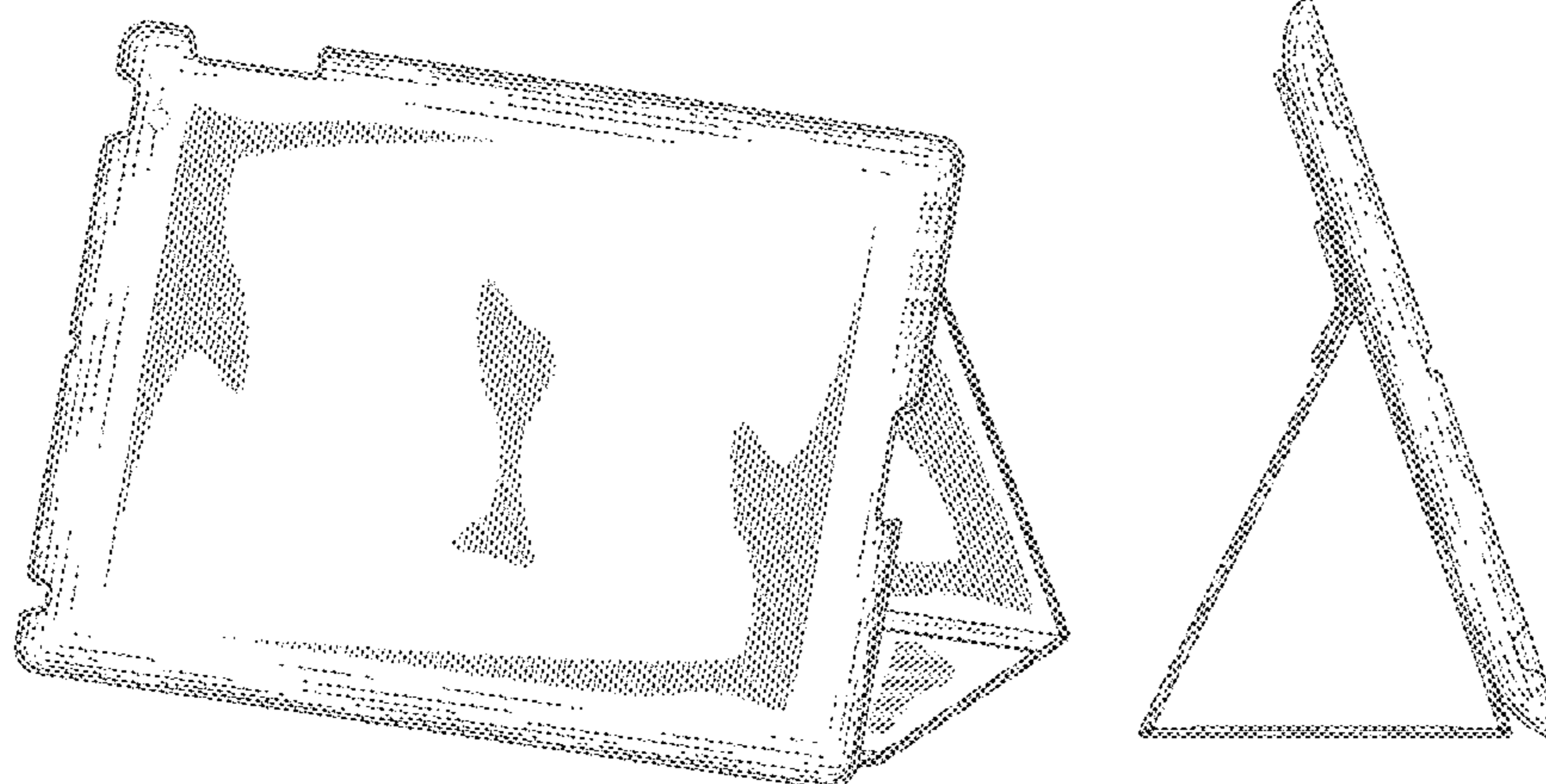


FIG. 1

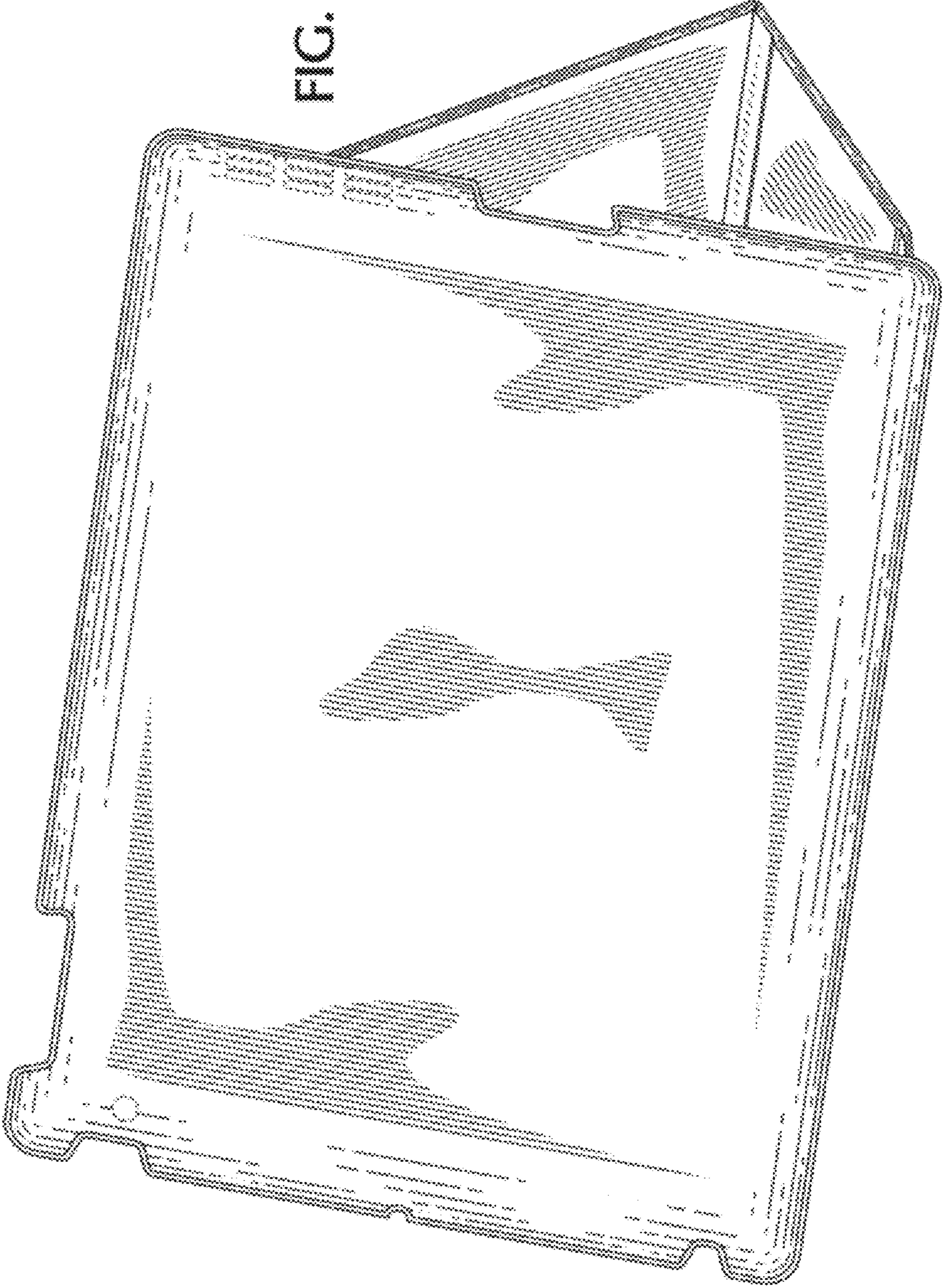


FIG. 2



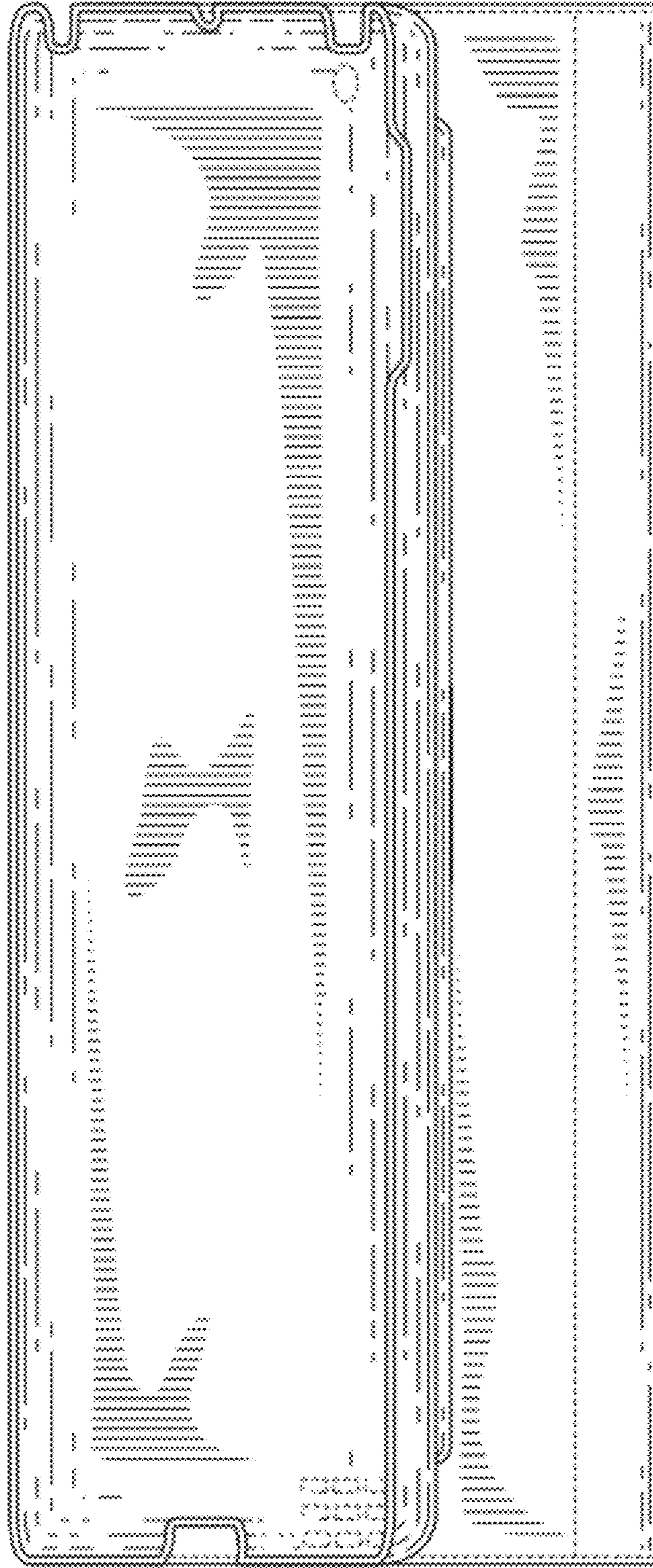
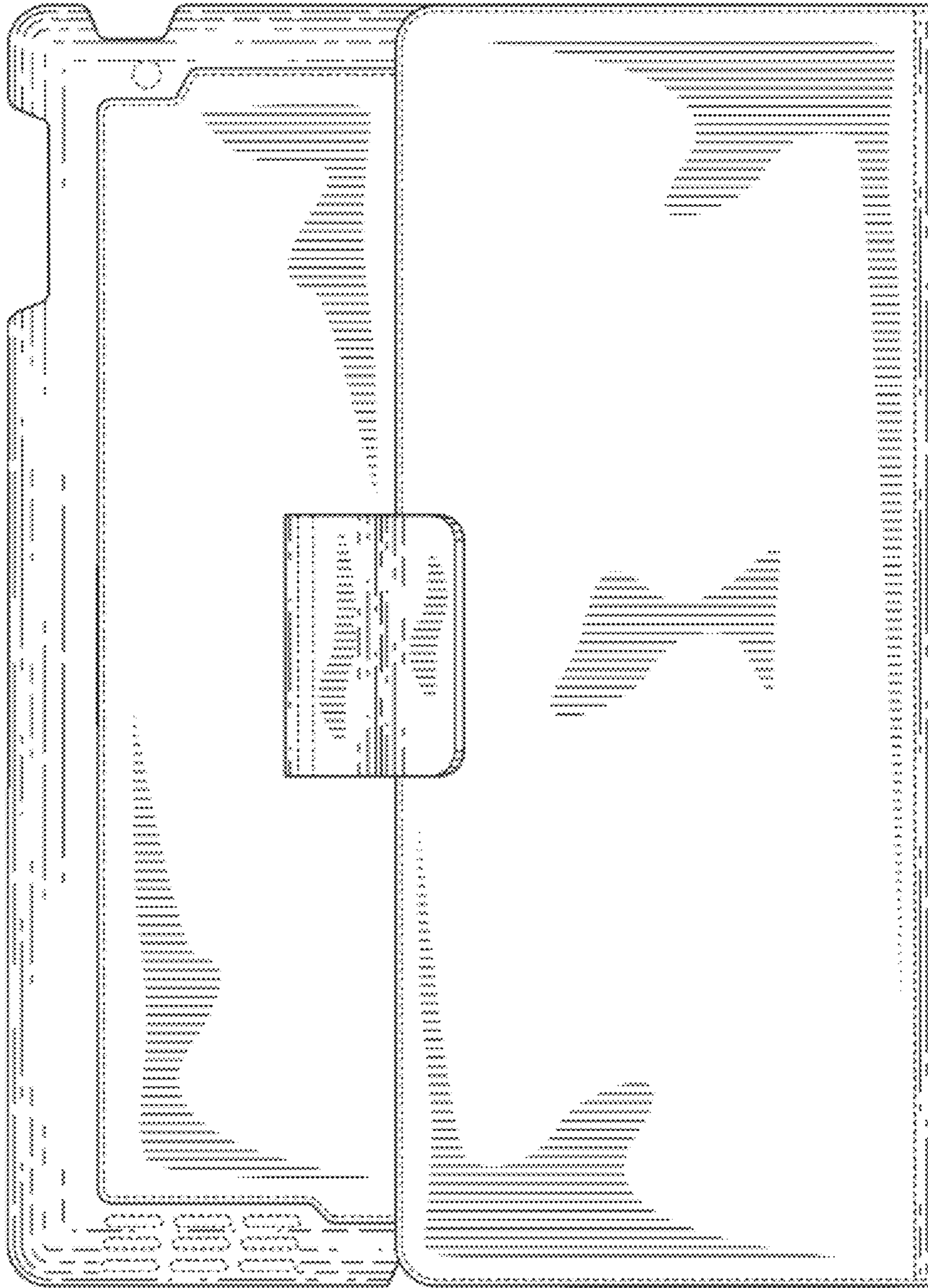


FIG. 3

FIG. 4



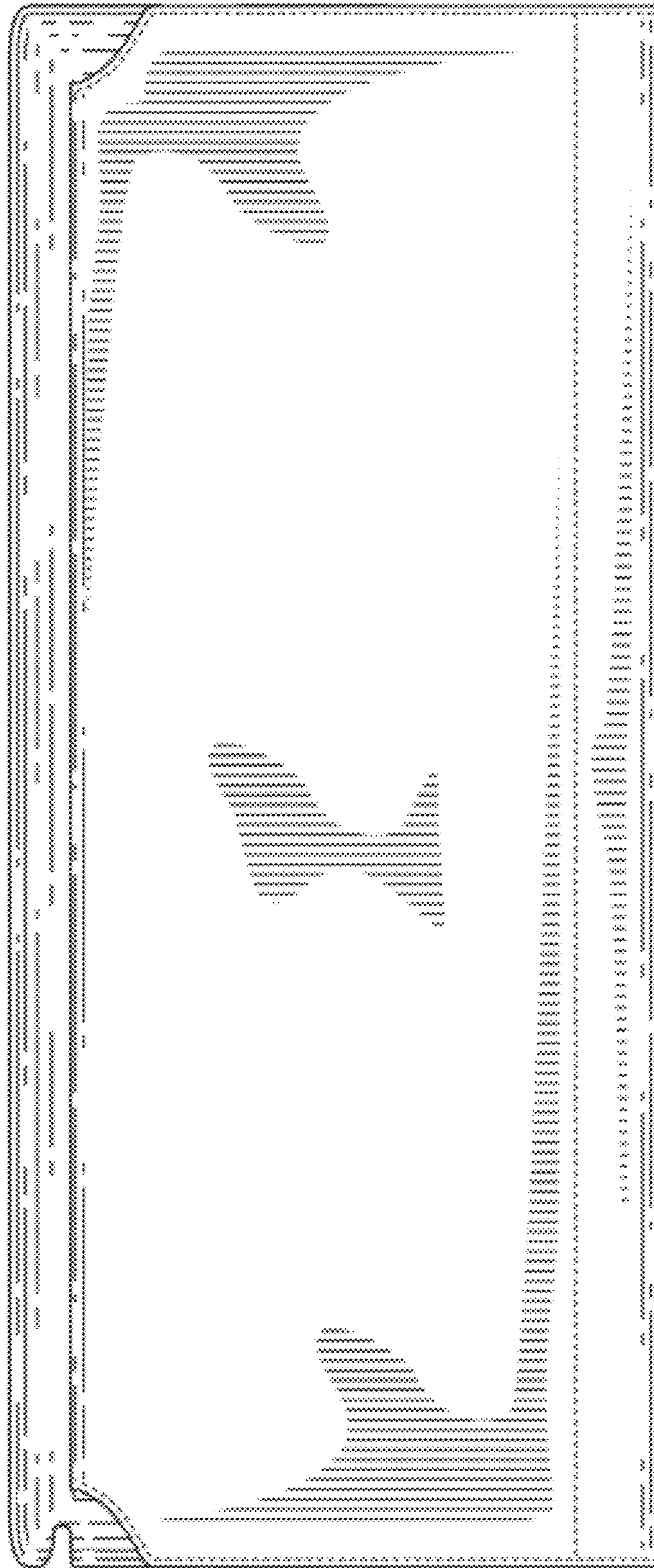


FIG. 5

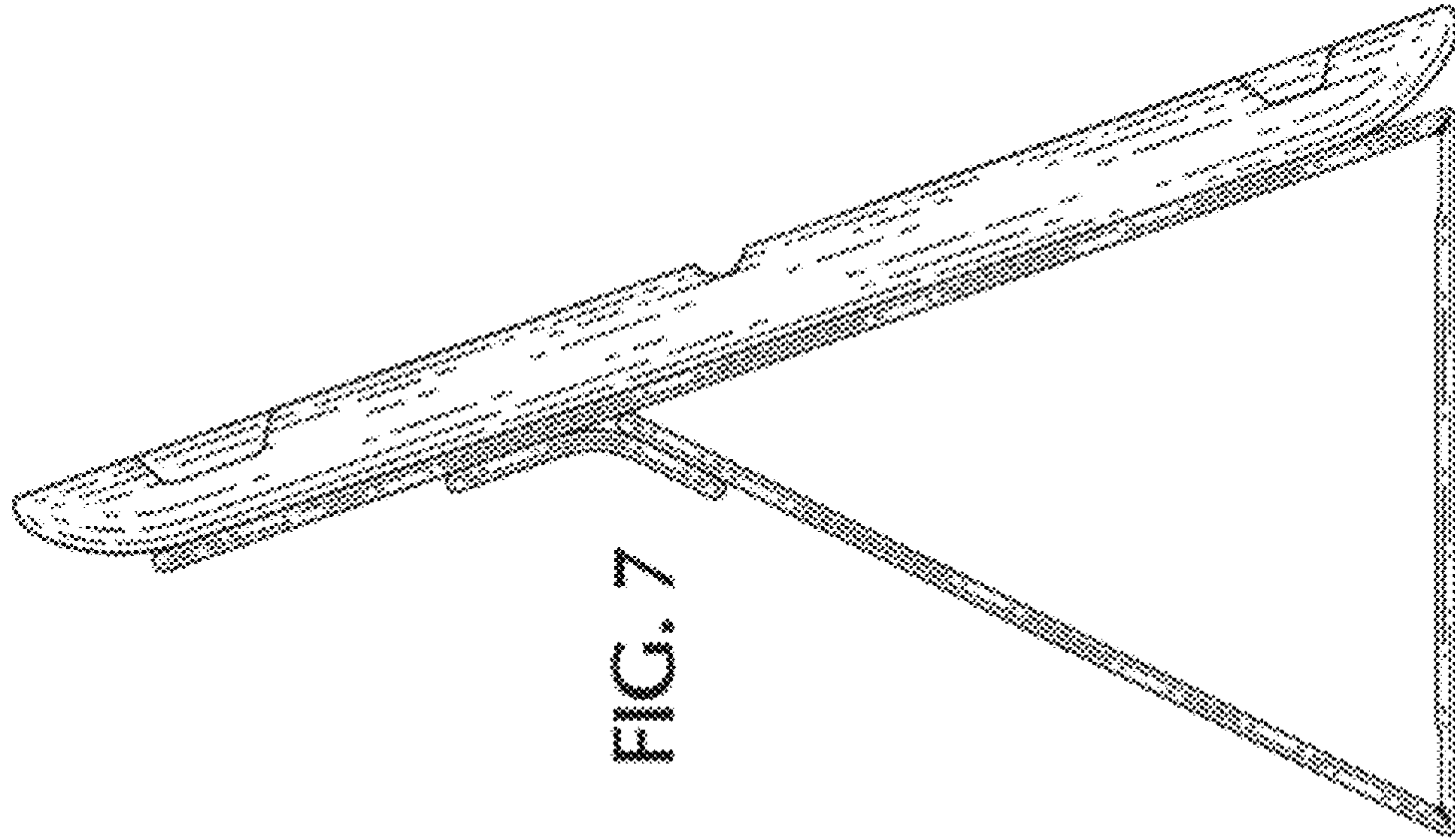


FIG. 7

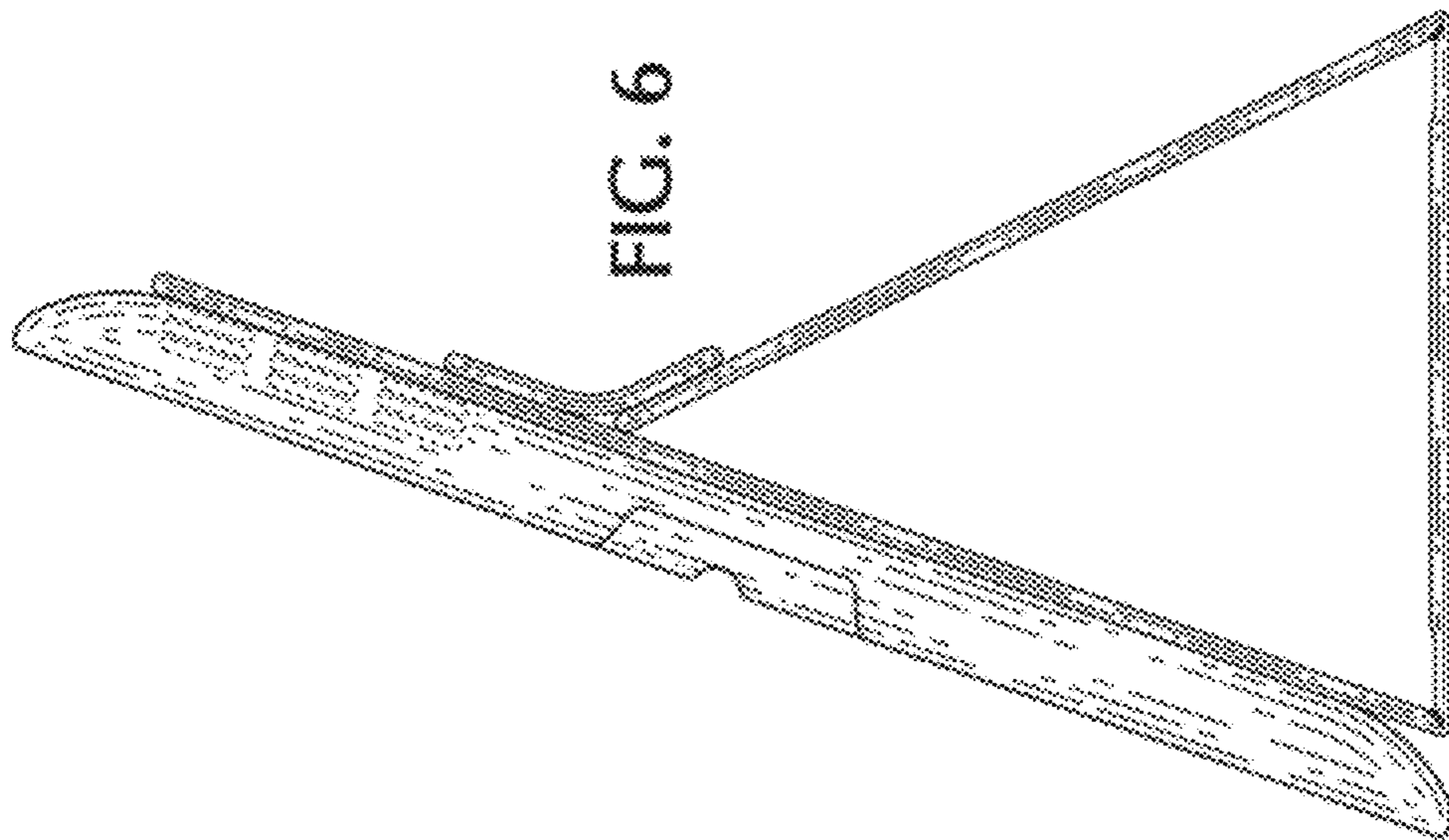


FIG. 6

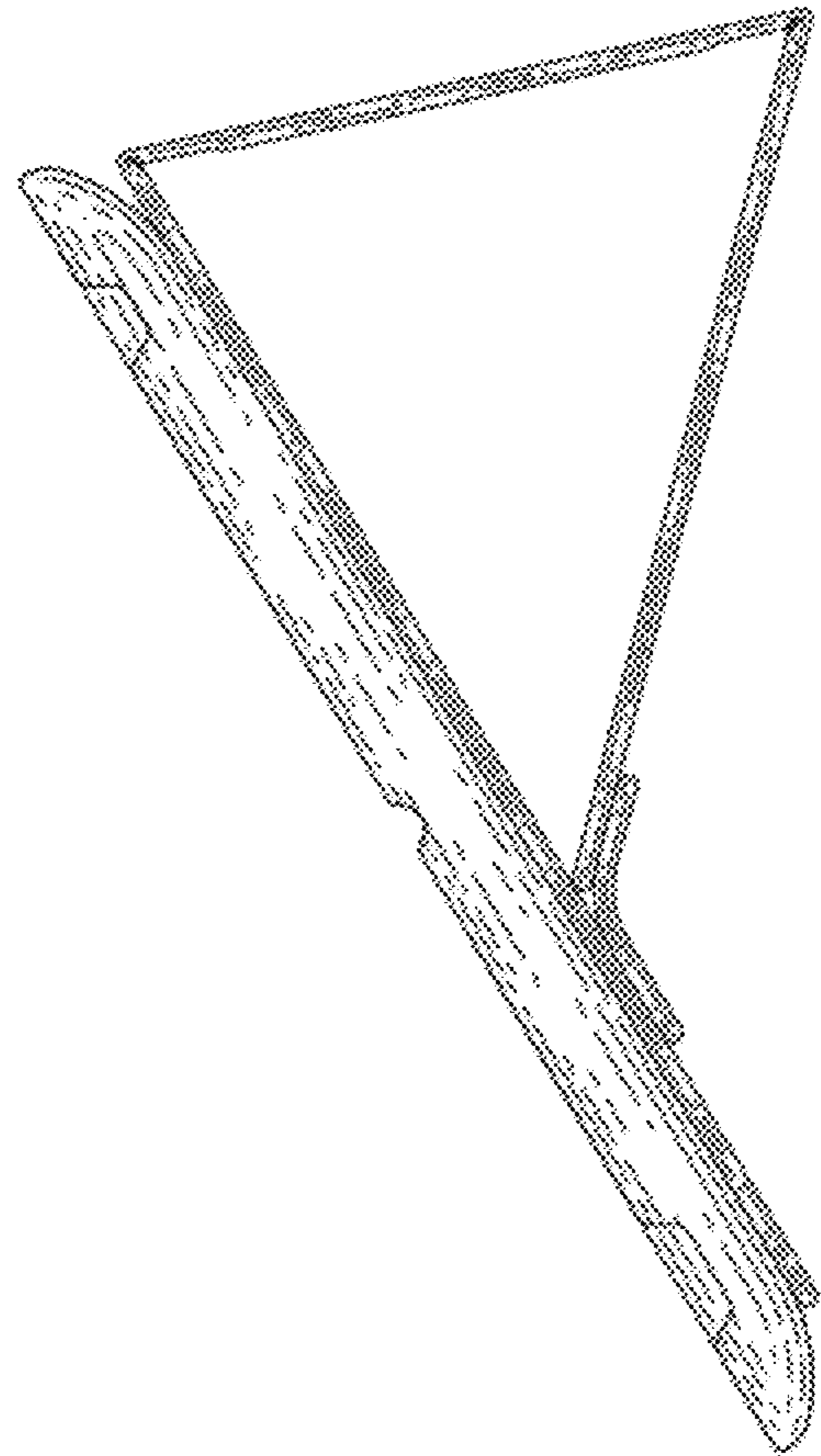


FIG. 9

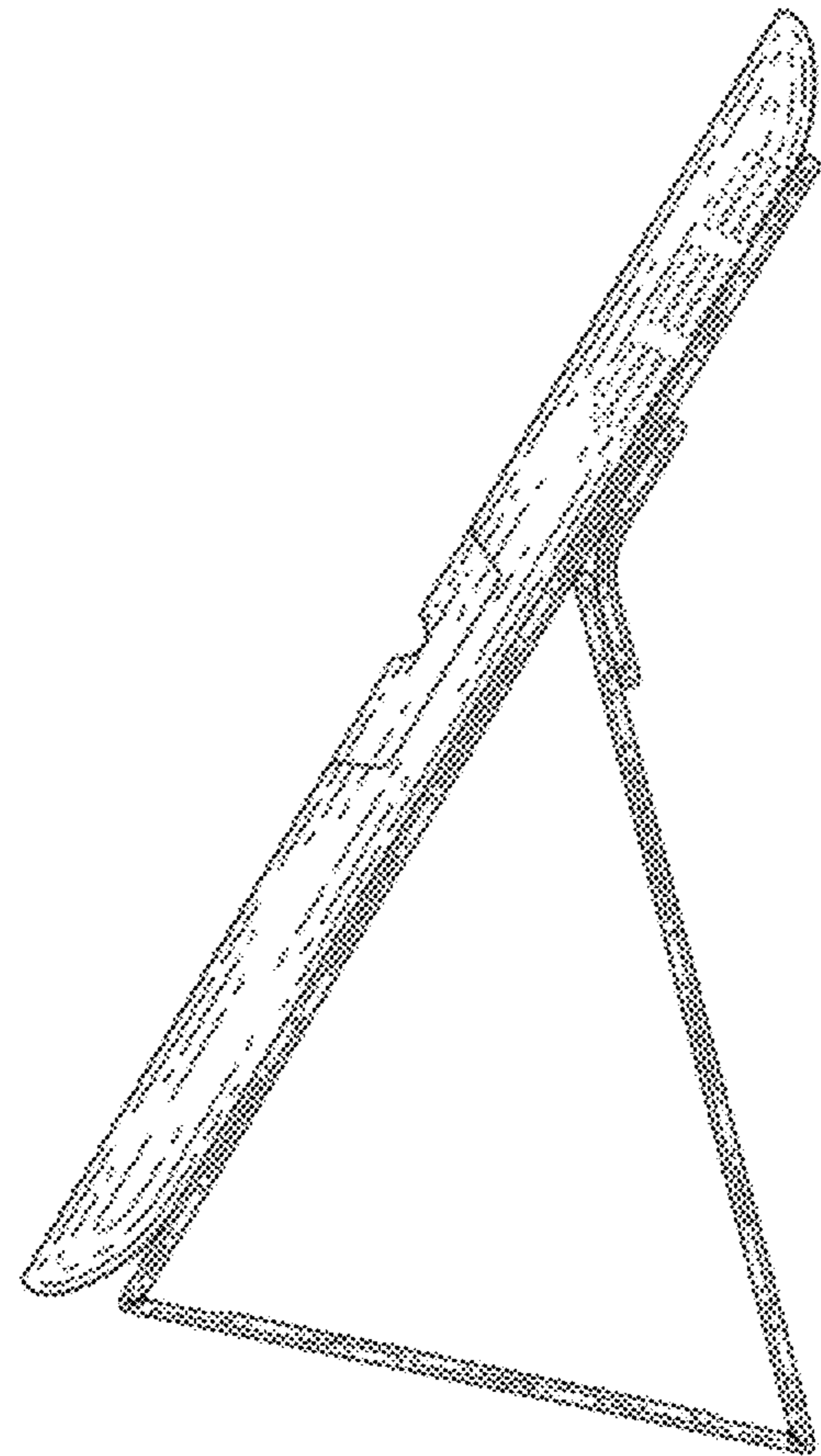


FIG. 8