



US00D676047S

(12) **United States Design Patent**
White et al.

(10) **Patent No.:** **US D676,047 S**
(45) **Date of Patent:** **** Feb. 12, 2013**

- (54) **MOBILE CARD READER**
 - (75) Inventors: **Keith White**, Tampa, FL (US); **Chris Asimoudis**, Ancaster (CA)
 - (73) Assignee: **Trak, Inc.**, Tampa, FL (US)
 - (**) Term: **14 Years**
 - (21) Appl. No.: **29/409,512**
 - (22) Filed: **Dec. 23, 2011**
 - (51) **LOC (9) Cl.** **14-02**
 - (52) **U.S. Cl.** **D14/385**
 - (58) **Field of Classification Search** D14/356-358, D14/383-385, 420, 426, 427, 432-439, 447, D14/453, 454, 217, 253, 299; D13/107, D13/108, 133, 146, 147, 152, 154, 156, 158, D13/162, 162.1, 168, 173, 177, 102; 235/441, 235/451, 492, 380, 439, 375; 361/679.31, 361/600, 679.01, 679.02
- See application file for complete search history.

- D592,661 S * 5/2009 Woo et al. D14/358
- D615,543 S * 5/2010 Padilla et al. D14/385
- D619,582 S * 7/2010 Chen D14/420
- D628,576 S * 12/2010 Daniel D14/385
- D637,189 S 5/2011 Hemming et al.
- 2008/0147509 A1 6/2008 Ghosh et al.

OTHER PUBLICATIONS

iZettle magnetic card reader, available at, <https://www.izettle.com>, iZettle AB (last visited Jan. 16, 2012).
Square magnetic card reader, available at, <http://www.squareup.com/news>, Square (last visited Jan. 16, 2012).

* cited by examiner

Primary Examiner — Austin Murphy
(74) *Attorney, Agent, or Firm* — Miles & Stockbridge, P.C.

(57) **CLAIM**
The ornamental design for a mobile card reader, as shown and described.

DESCRIPTION

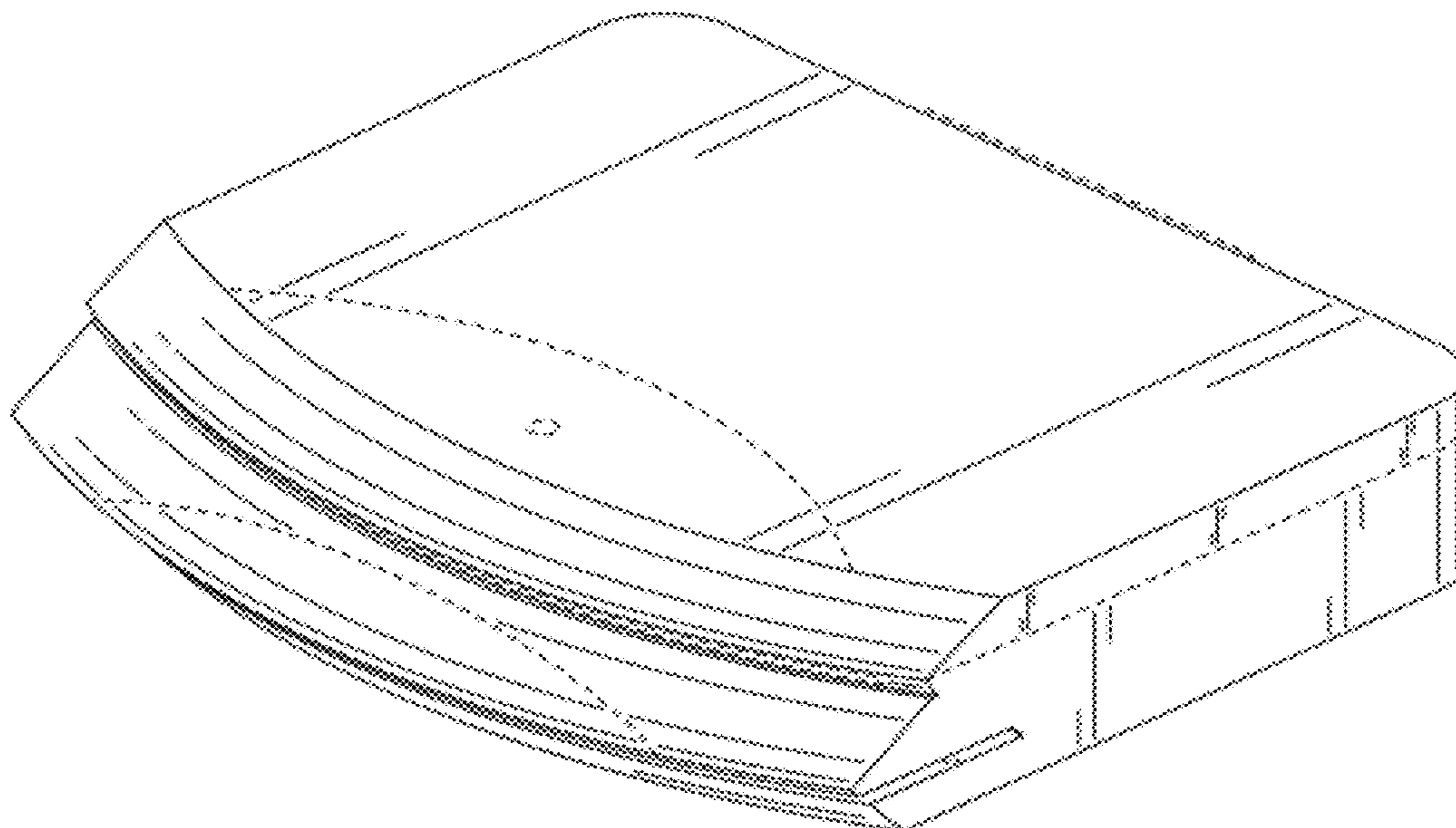
FIG. 1 is a front perspective view of the design for a card reader;
FIG. 2 is a front view thereof;
FIG. 3 is a rear view thereof;
FIG. 4 is a left side view thereof, wherein the right side of the design is a mirror image of the left side;
FIG. 5 is a top view thereof; and,
FIG. 6 is a bottom view thereof.
The broken lines shown in the drawings are for illustrative purposes only and form no part of the claimed design.

1 Claim, 6 Drawing Sheets

(56) **References Cited**

U.S. PATENT DOCUMENTS

- D296,330 S * 6/1988 Davis et al. D14/385
- D375,486 S * 11/1996 Shinano D14/357
- D422,976 S * 4/2000 Su D14/385
- D456,412 S * 4/2002 Khovaylo et al. D14/420
- D515,092 S * 2/2006 Wilfong D14/385
- D522,511 S * 6/2006 Sekou D14/385
- D559,234 S * 1/2008 Girard D14/240
- 7,357,309 B2 4/2008 Ghosh et al.
- D590,828 S * 4/2009 Sherrod et al. D14/385



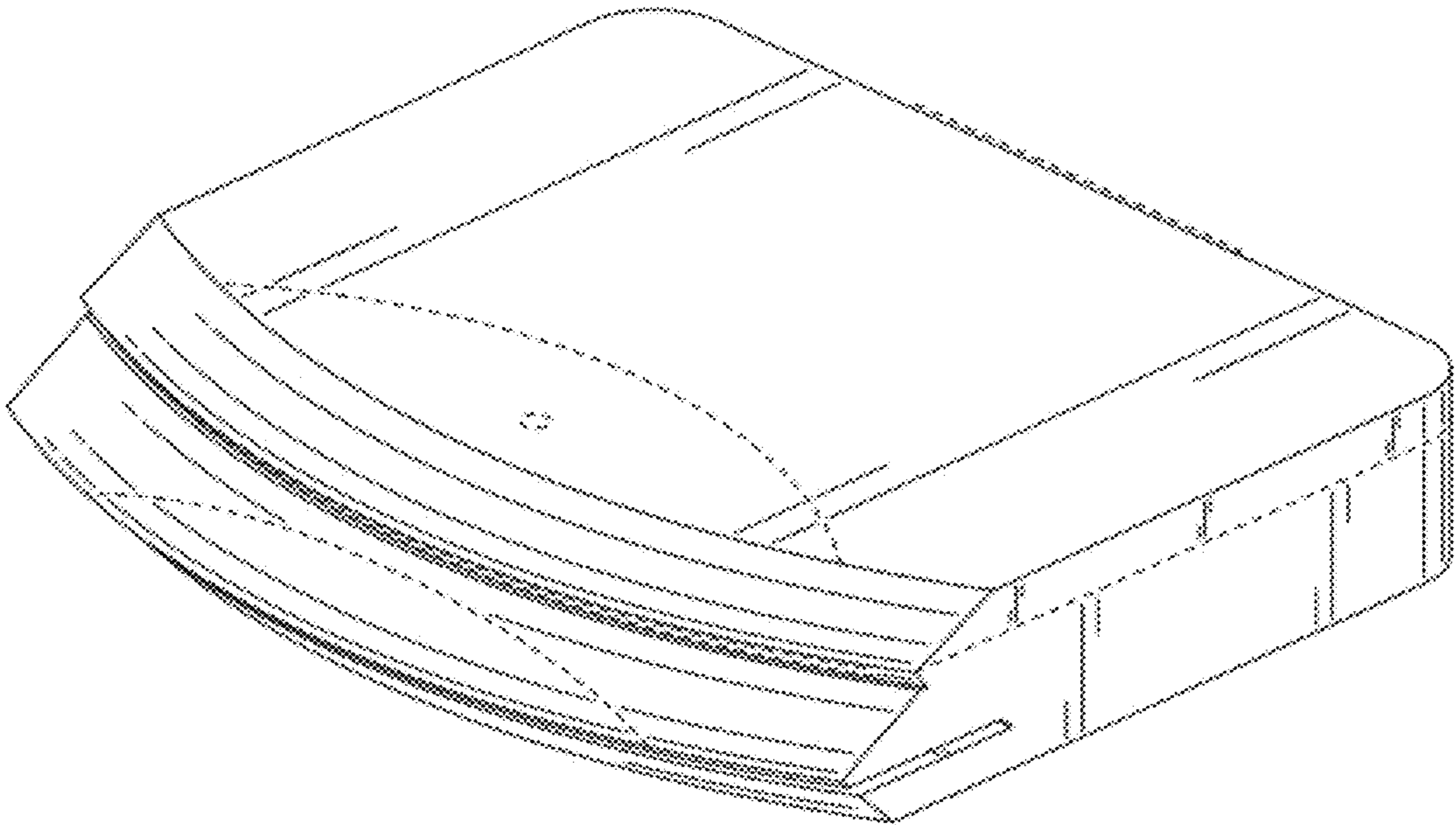


FIG. 1

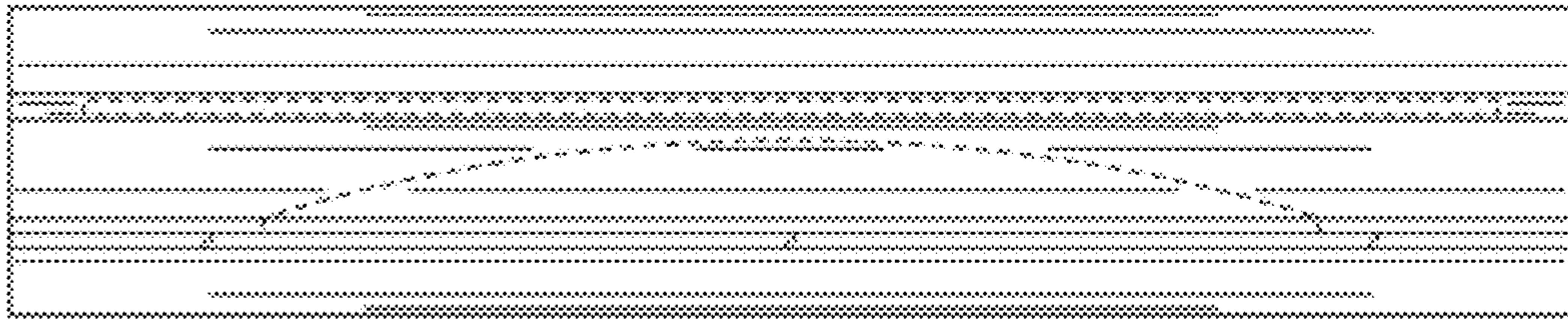


FIG. 2

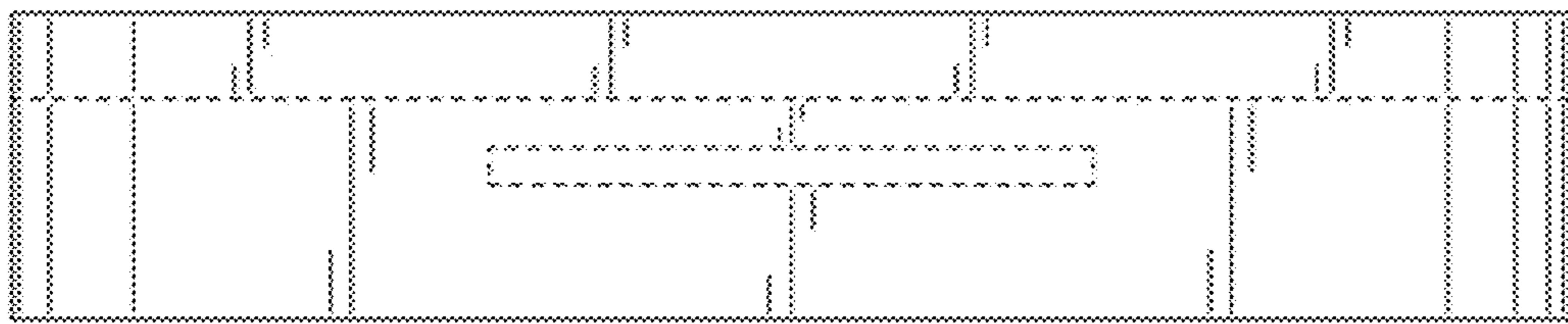


FIG. 3



FIG. 4

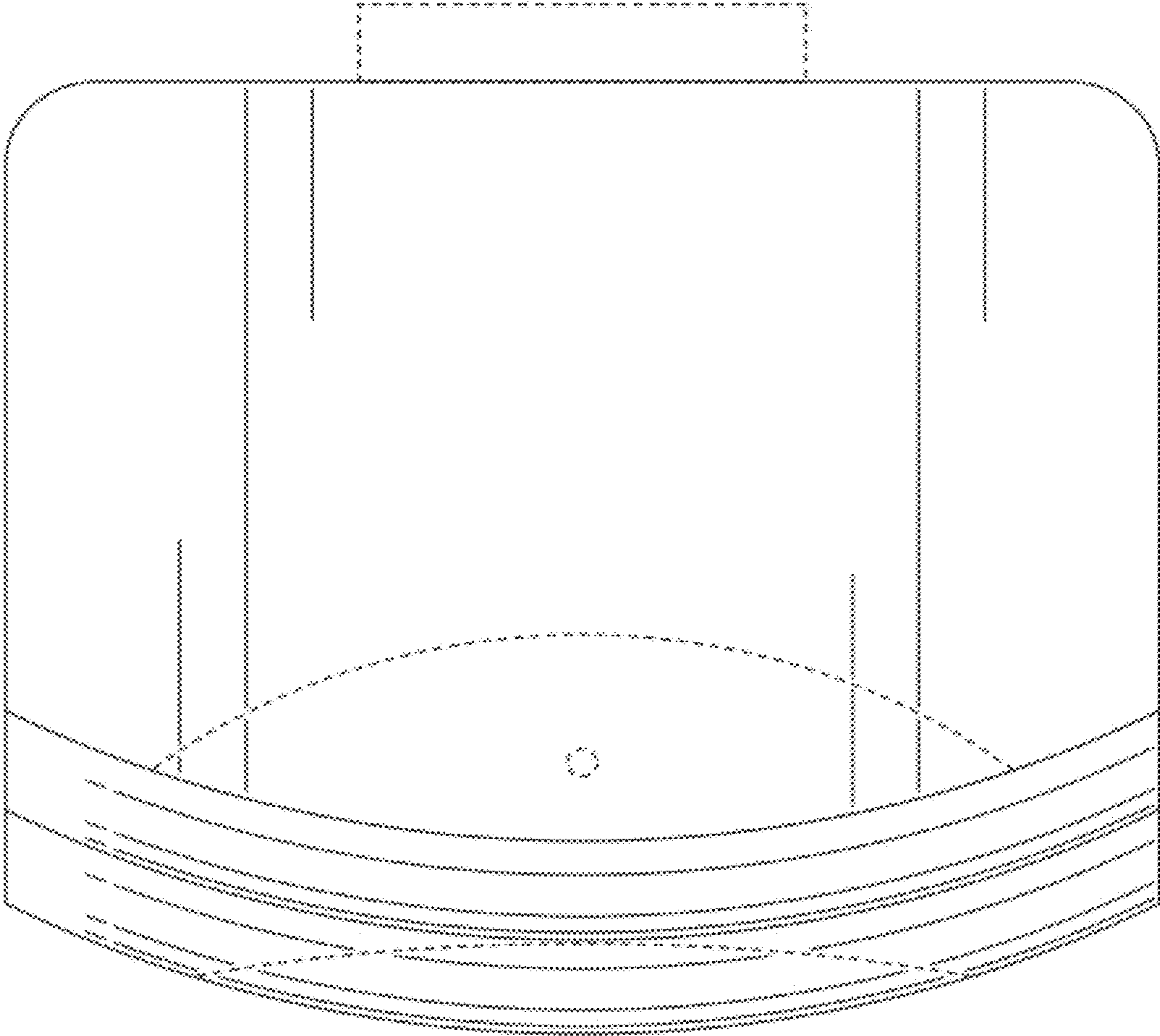


FIG. 5

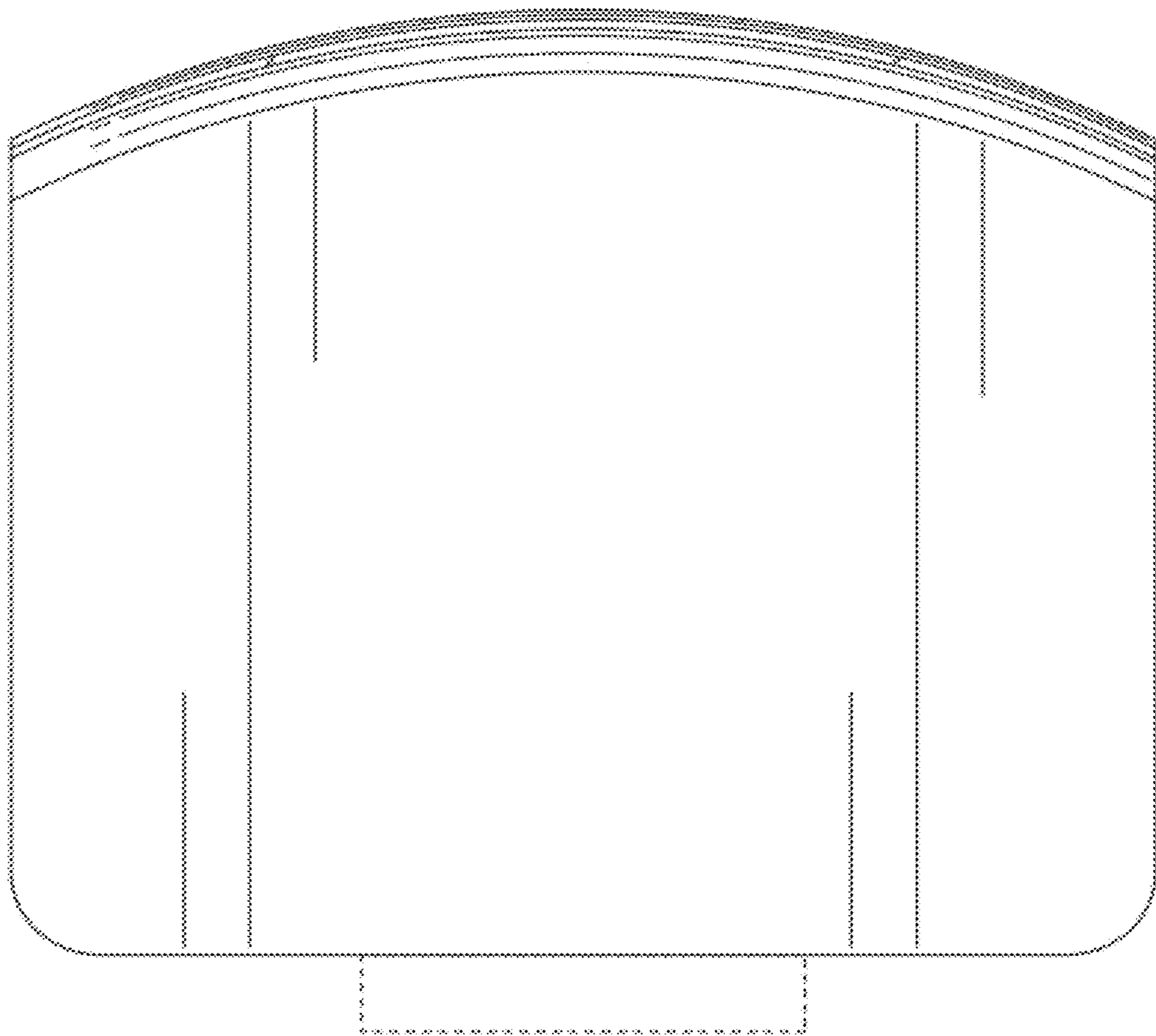


FIG. 6