



US00D676037S

(12) **United States Design Patent**
Schupsky

(10) **Patent No.:** **US D676,037 S**

(45) **Date of Patent:** **** Feb. 12, 2013**

(54) **CELL PHONE MOUNTING BRACKET**

(75) Inventor: **Edwin J. Schupsky**, Kelowna (CA)

(73) Assignee: **Spur Construction Ltd.**, Kelowna,
British Columbia (CA)

(**) Term: **14 Years**

(21) Appl. No.: **29/413,619**

(22) Filed: **Feb. 17, 2012**

(51) **LOC (9) Cl.** **14-03**

(52) **U.S. Cl.** **D14/253**

(58) **Field of Classification Search** D14/140,
D14/142, 149, 217, 240, 251-253, 434, 447,
D14/452, 454; D8/363, 373; D12/415;
248/206.2-206.4, 220.21, 279.1; 379/426,
379/446, 454, 455; D13/107-108; D16/242;
D3/218

See application file for complete search history.

(56) **References Cited**

U.S. PATENT DOCUMENTS

4,858,871	A *	8/1989	Romano	248/339
D320,992	S *	10/1991	Jondelius	D14/253
D329,372	S *	9/1992	Wilms	D8/380
D439,829	S *	4/2001	Wosley	D8/363
6,536,730	B1 *	3/2003	Baer	248/304
D474,398	S *	5/2003	Collins et al.	D8/373
D556,027	S *	11/2007	Cuzzocrea	D8/373
7,677,595	B2 *	3/2010	Dominissini et al.	280/728.2

D630,499	S *	1/2011	Houghton	D8/373
7,918,433	B2 *	4/2011	Melton et al.	248/674
D658,170	S *	4/2012	Chen et al.	D14/253

* cited by examiner

Primary Examiner — Raphael Barkai

Assistant Examiner — Randall Gholson

(74) *Attorney, Agent, or Firm* — Sheema Khan; Miltons IP/p.i.

(57) **CLAIM**

I claim the ornamental design of a cell phone mounting bracket, as shown and described.

DESCRIPTION

FIG. 1 is a perspective view of a cell phone mounting bracket showing the new design;

FIG. 2 is a front elevational view of the design of FIG. 1;

FIG. 3 is a rear elevational view of the design of FIG. 1;

FIG. 4 is a top plan view of the design of FIG. 1;

FIG. 5 is a bottom plan view of the design of FIG. 1;

FIG. 6 is a left side view of the design of FIG. 1;

FIG. 7 is a right side view of the design of FIG. 1;

FIG. 8 is a perspective view of a cell phone mounting bracket showing a second embodiment of the new design;

FIG. 9 is a front elevational view of the design of FIG. 8;

FIG. 10 is a rear elevational view of the design of FIG. 8;

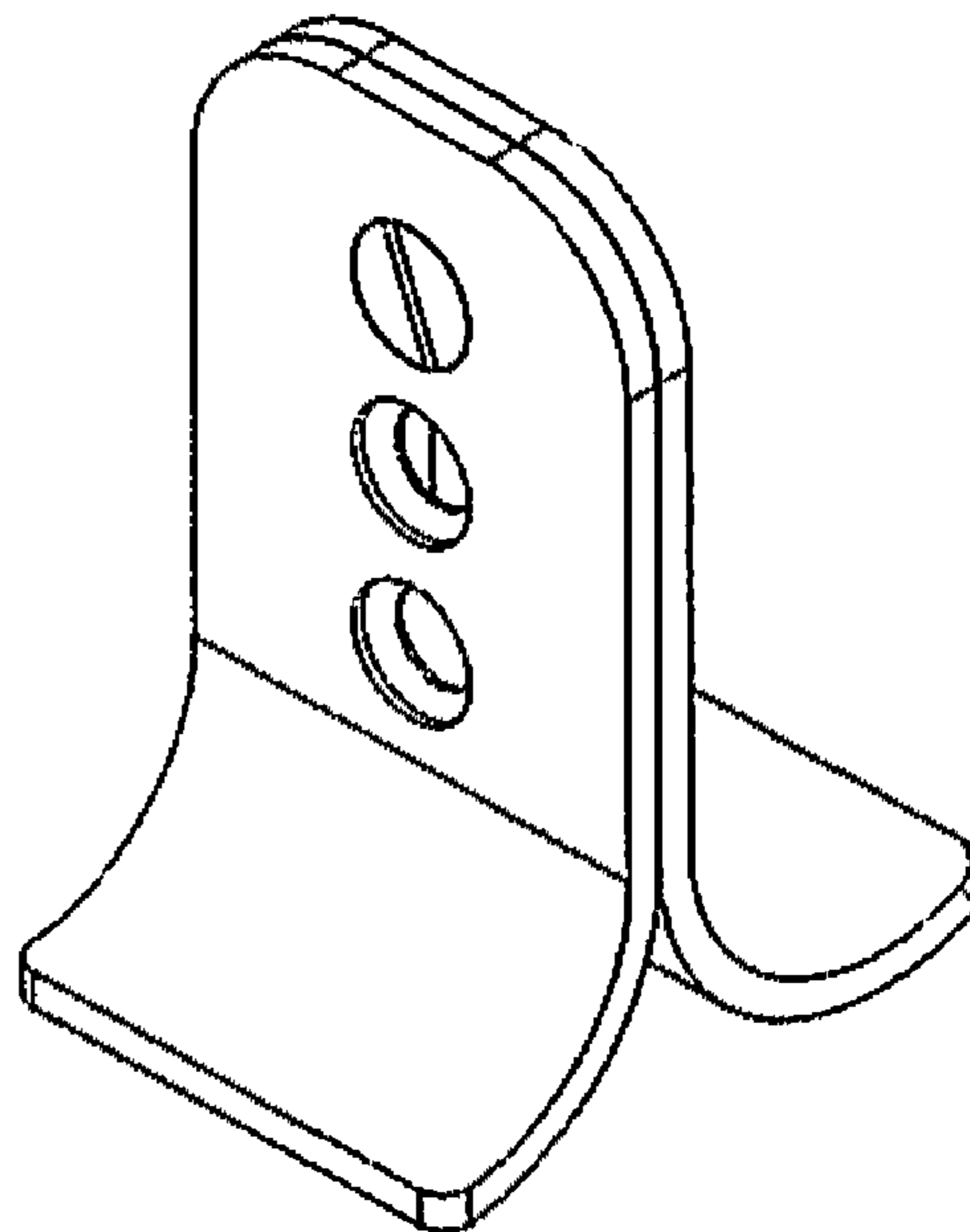
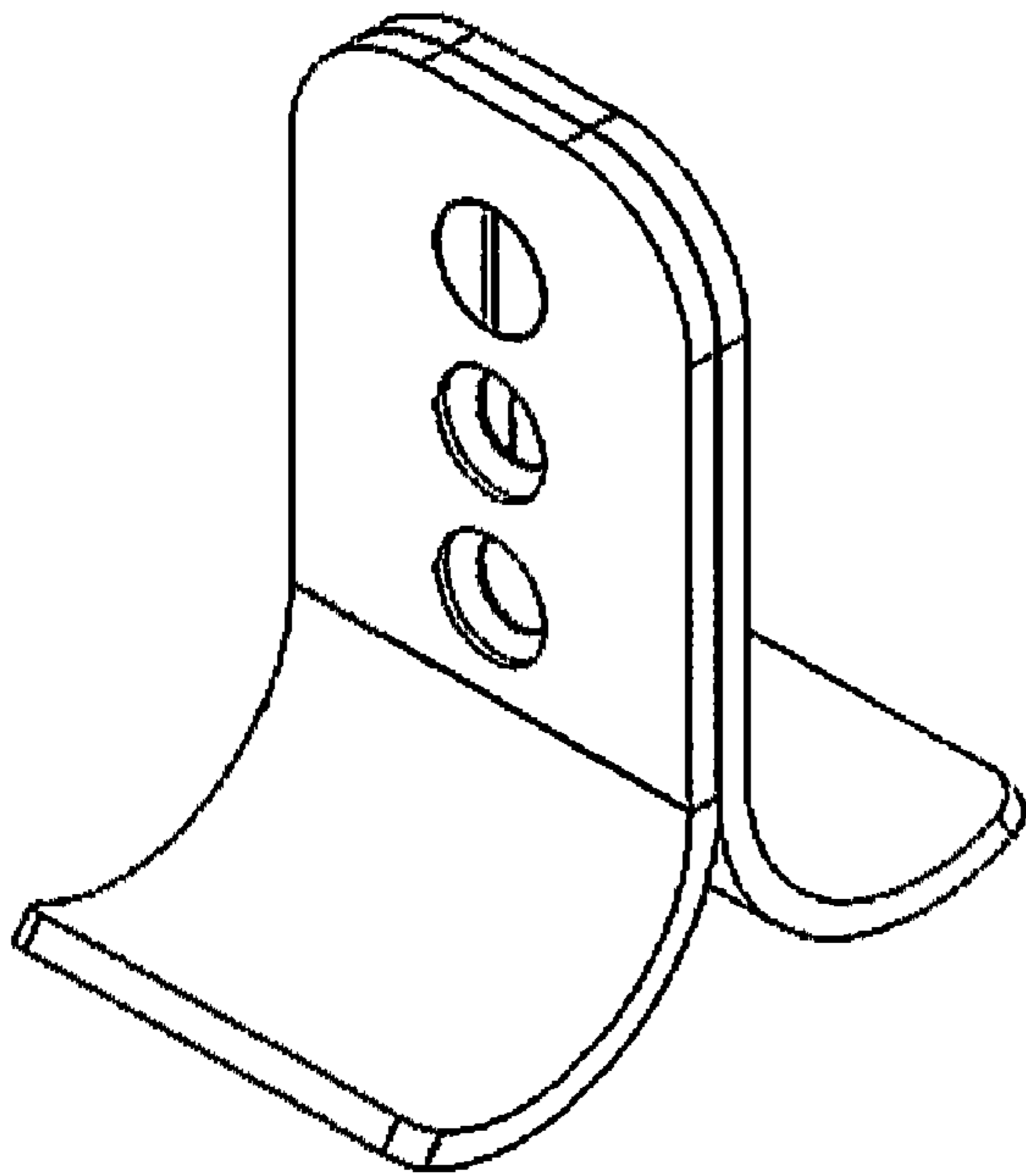
FIG. 11 is a top view of the design of FIG. 8;

FIG. 12 is a bottom view of the design of FIG. 8;

FIG. 13 is a left side view of the design of FIG. 8; and,

FIG. 14 is a right side view of the design of FIG. 8.

1 Claim, 4 Drawing Sheets



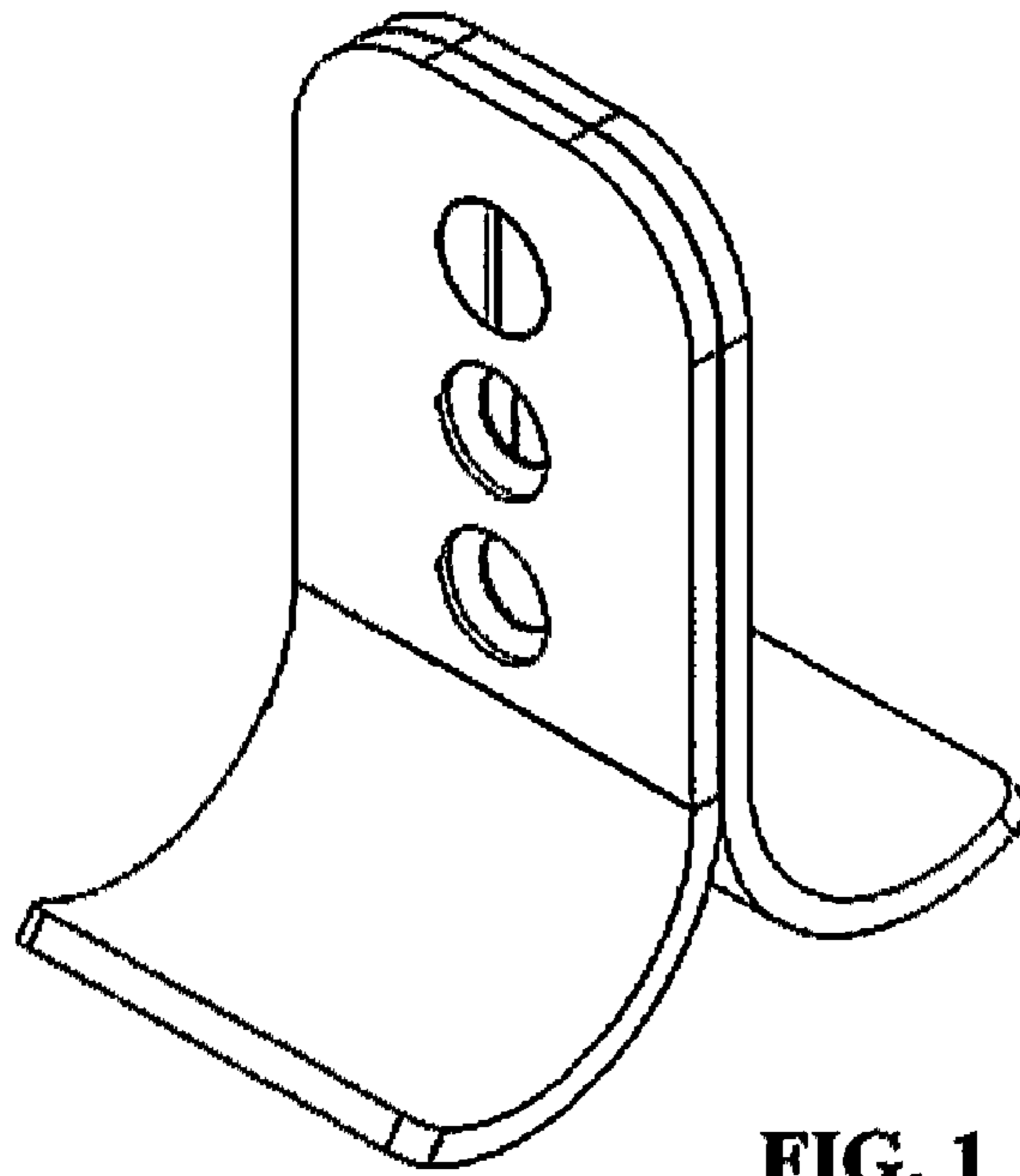


FIG. 1

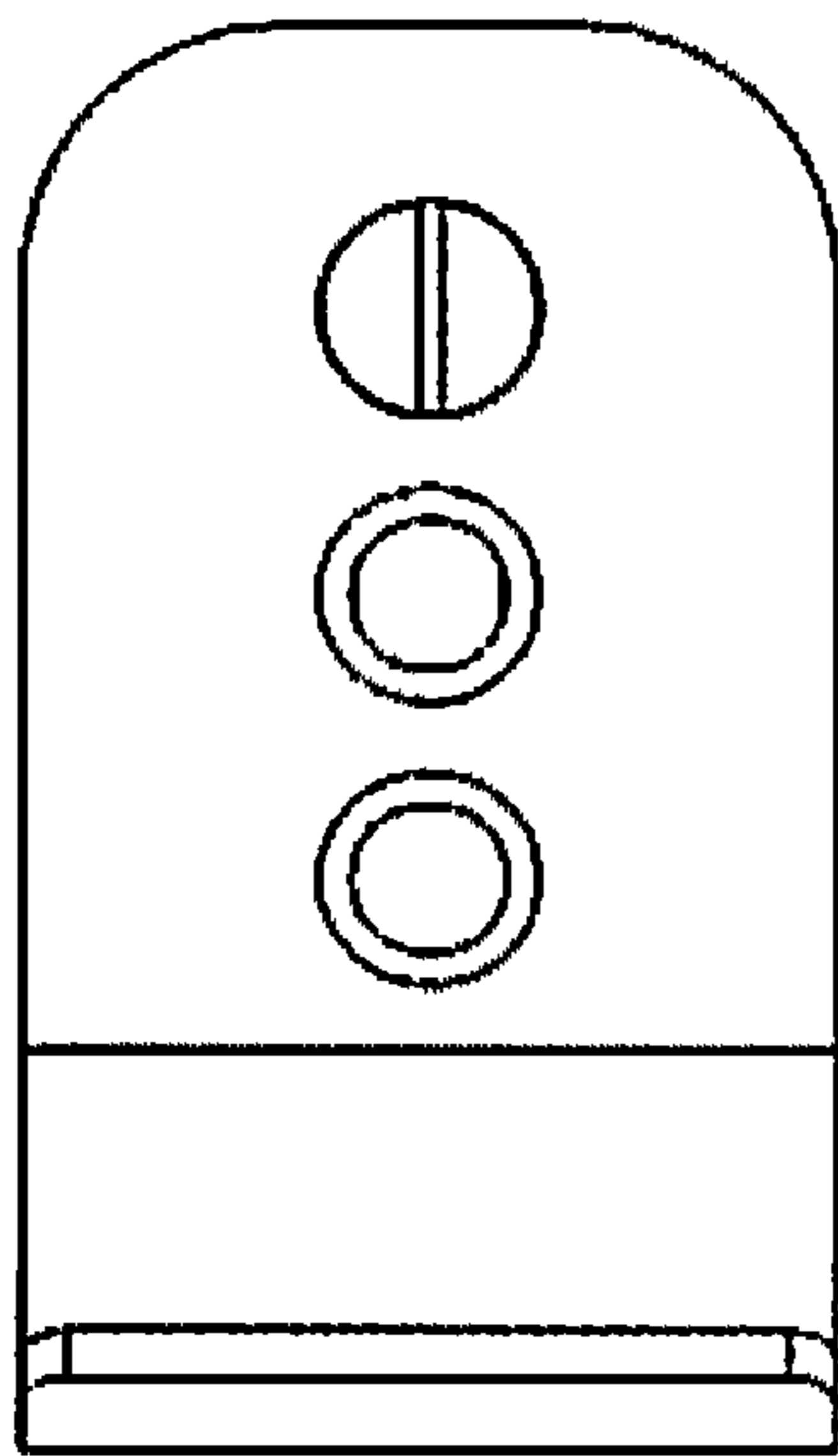


FIG. 2

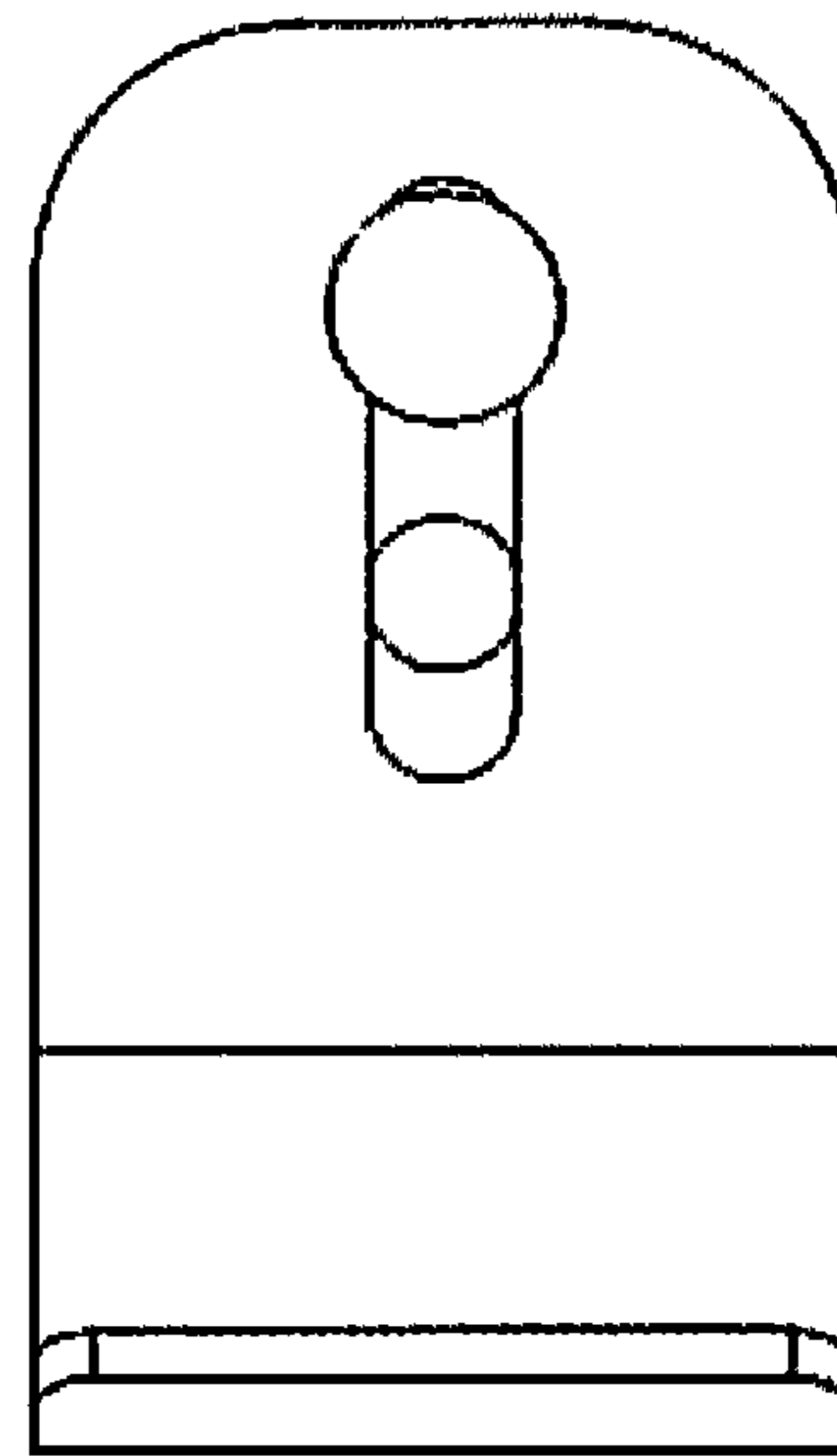


FIG. 3

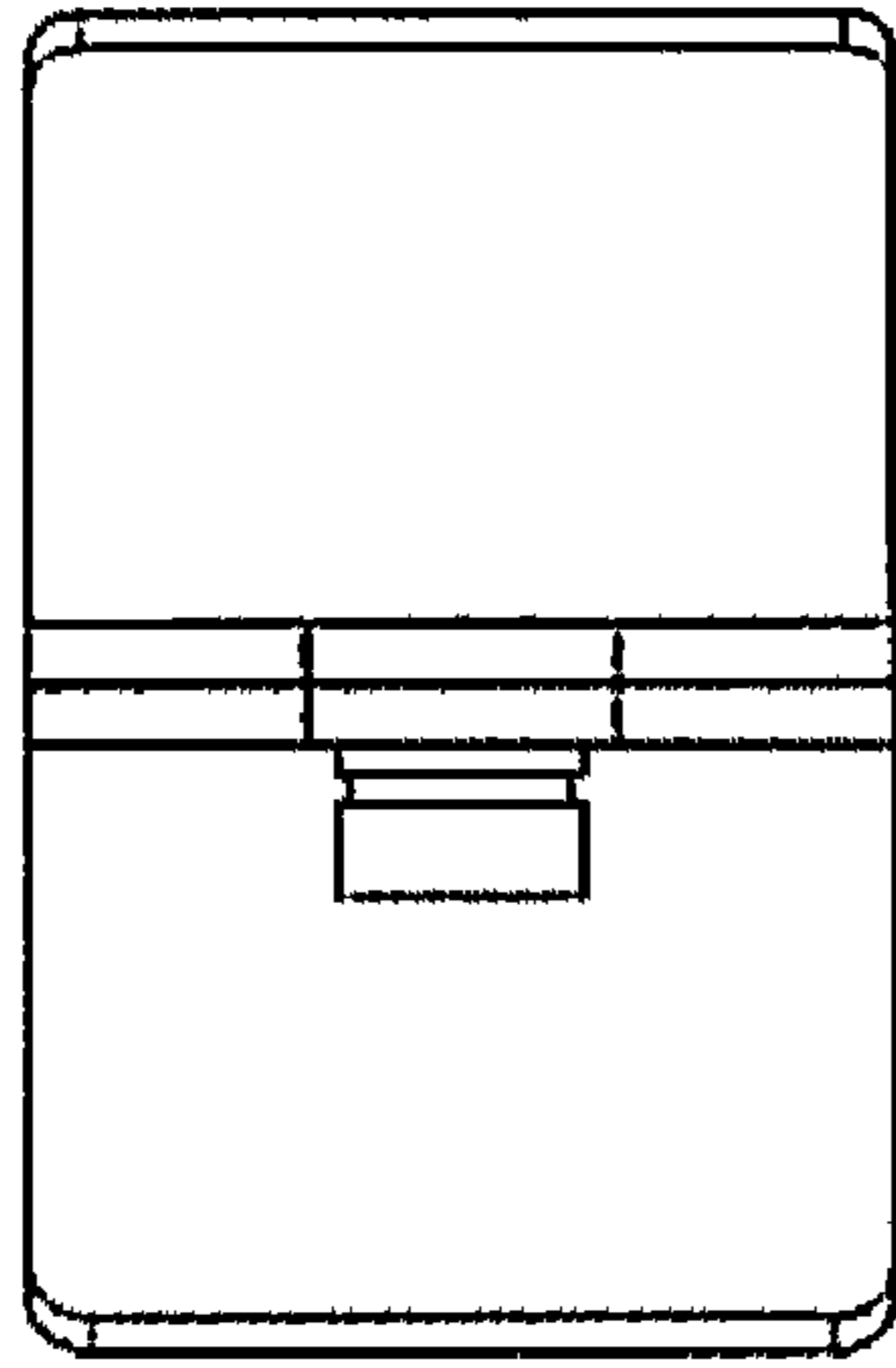


FIG. 4

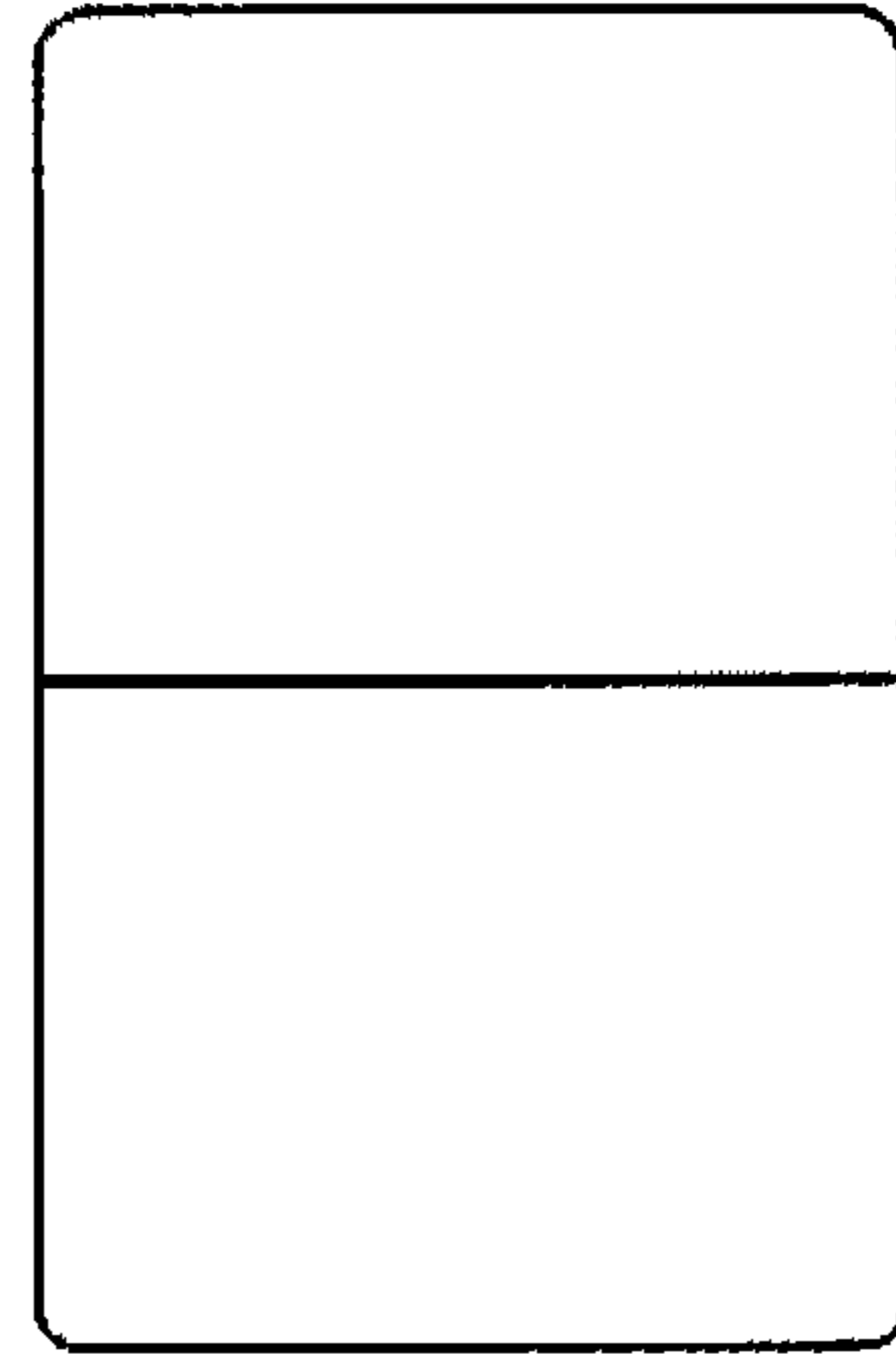


FIG. 5

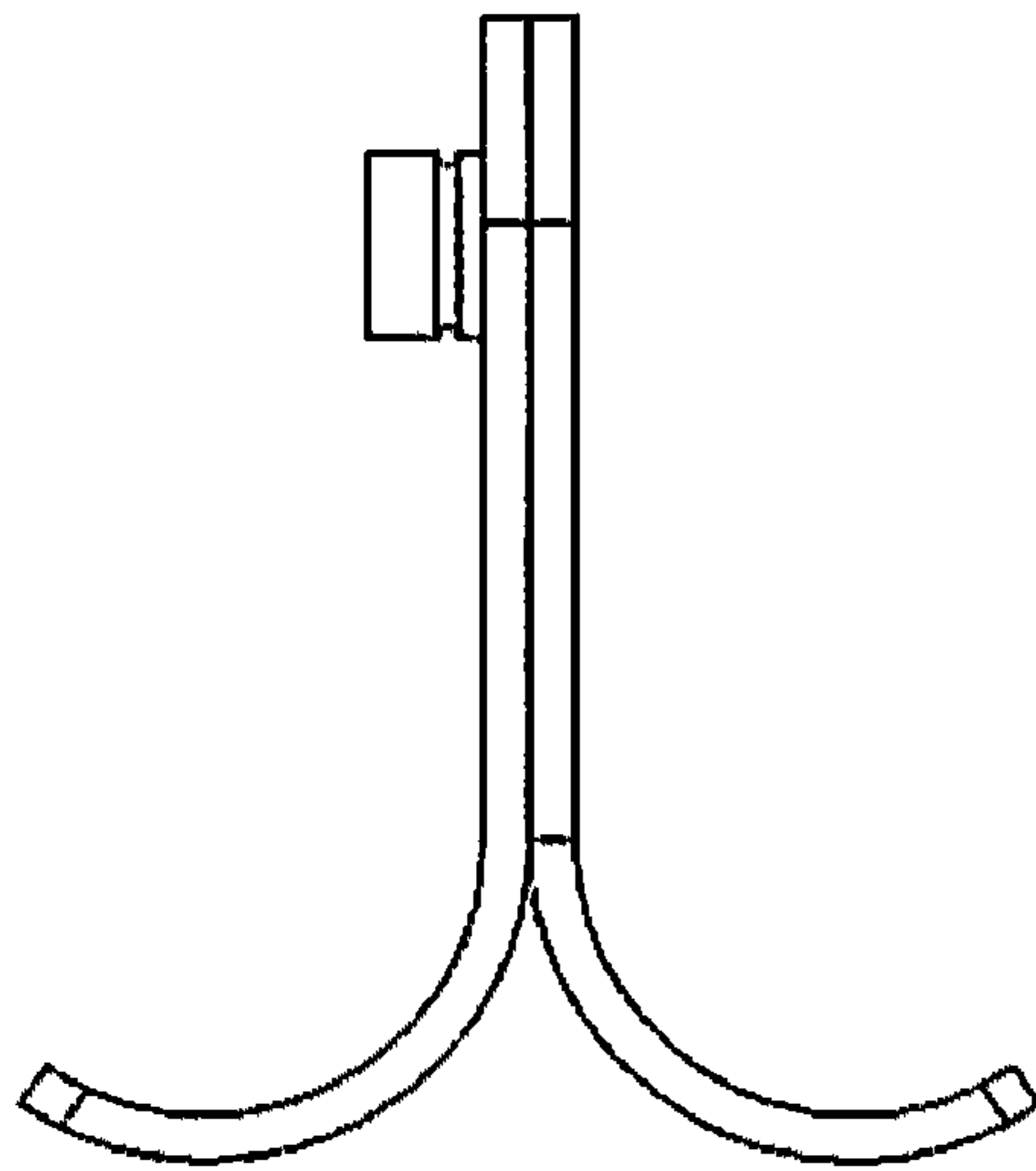


FIG. 6

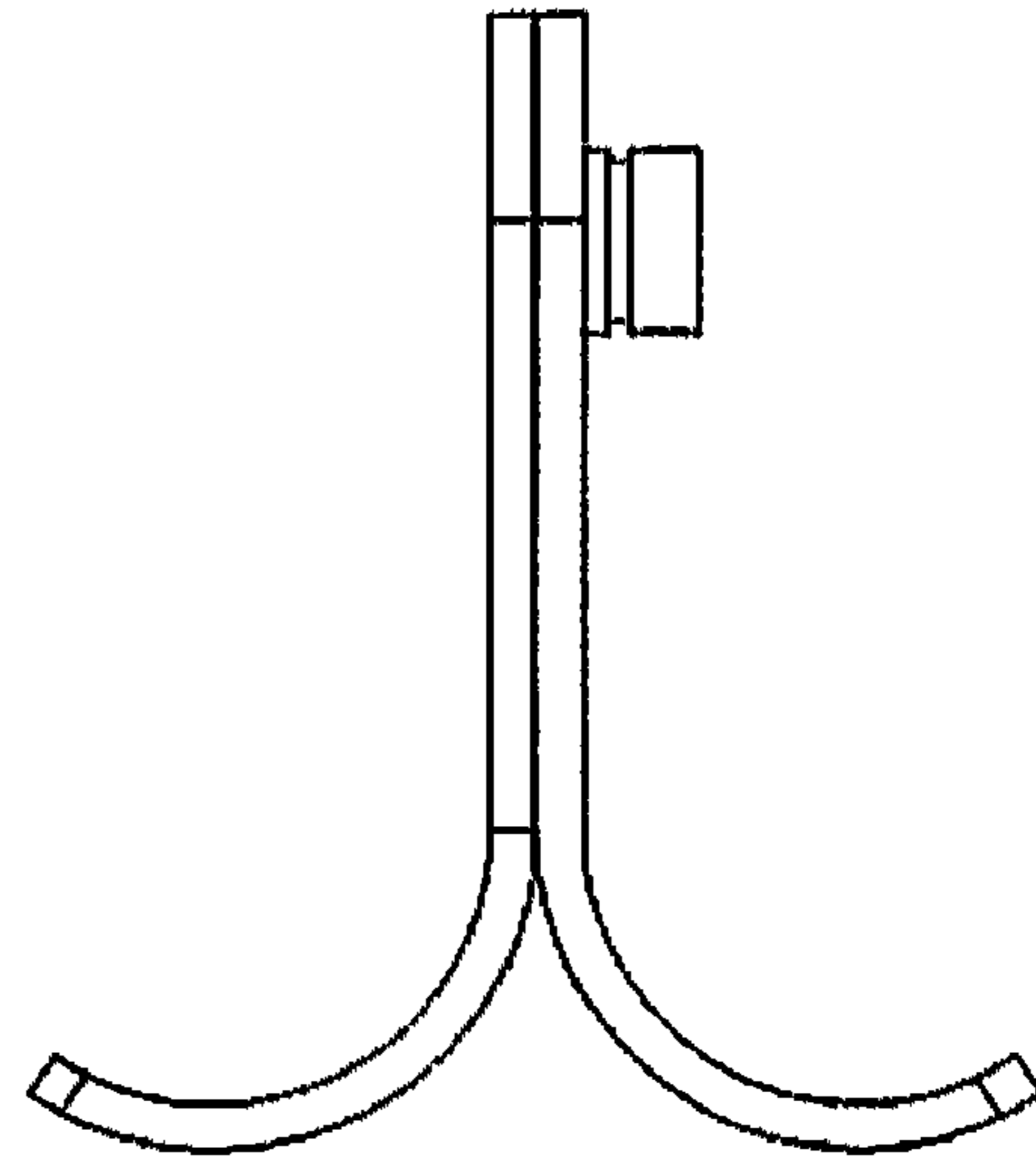


FIG. 7

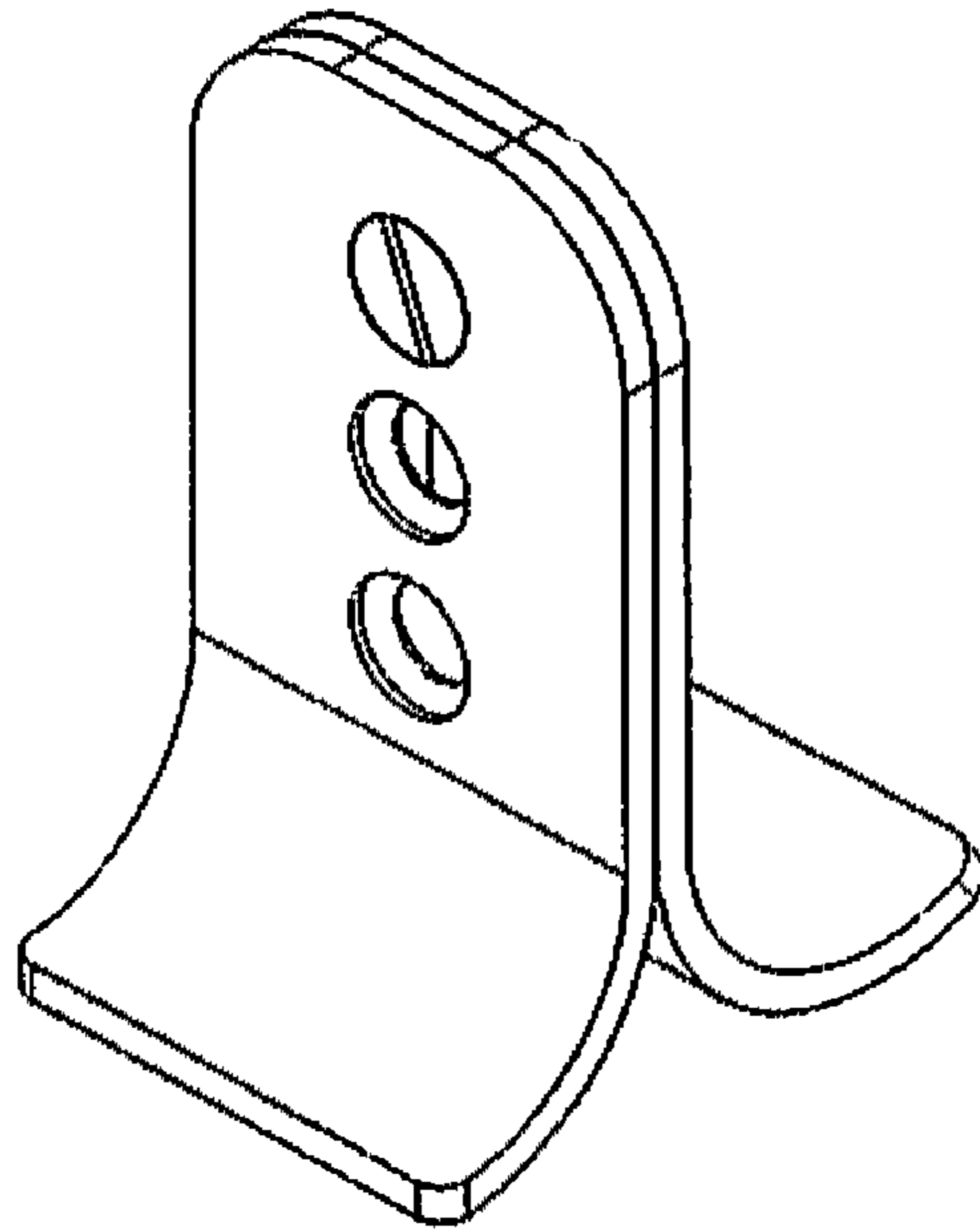


FIG. 8

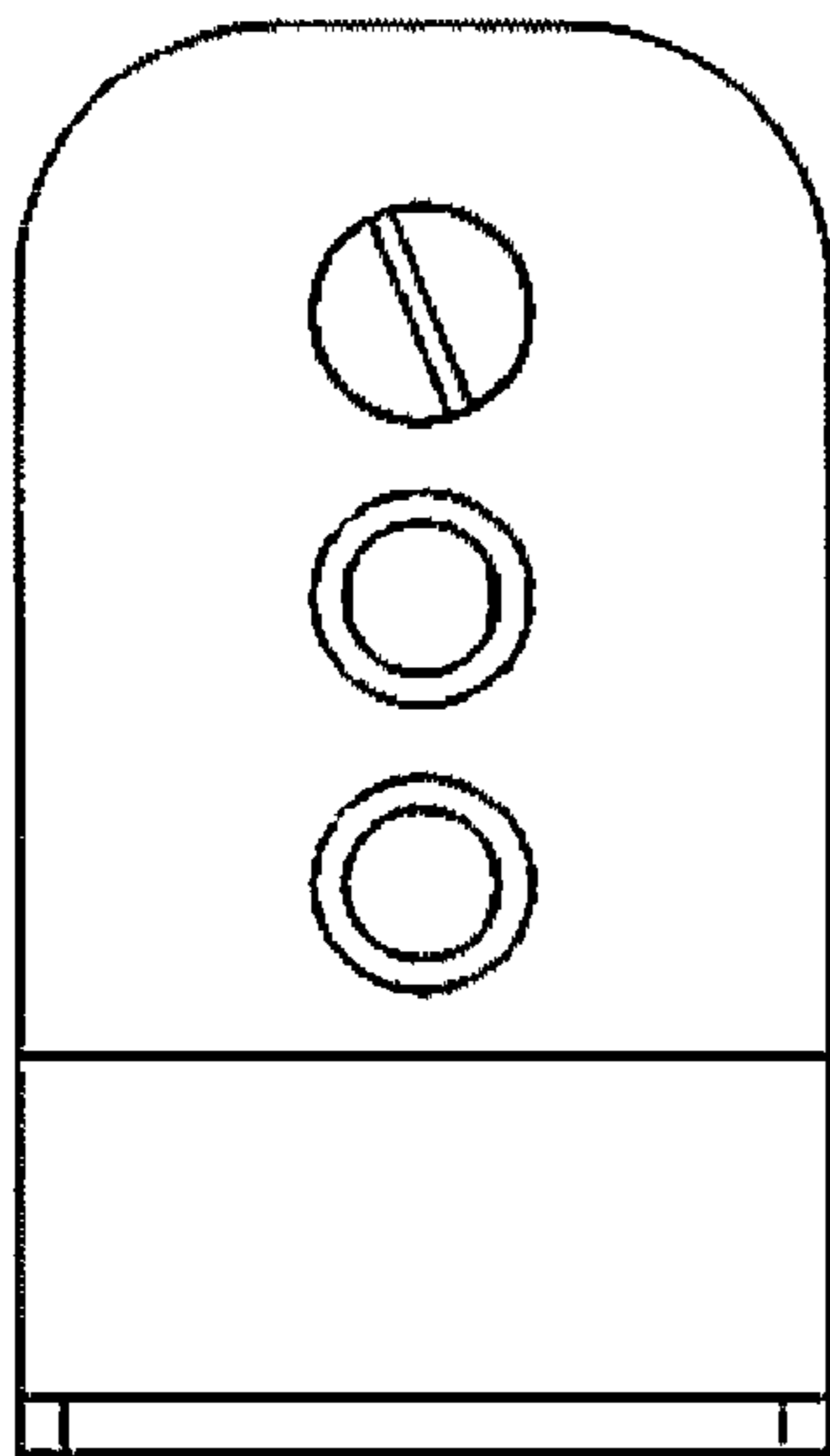


FIG. 9

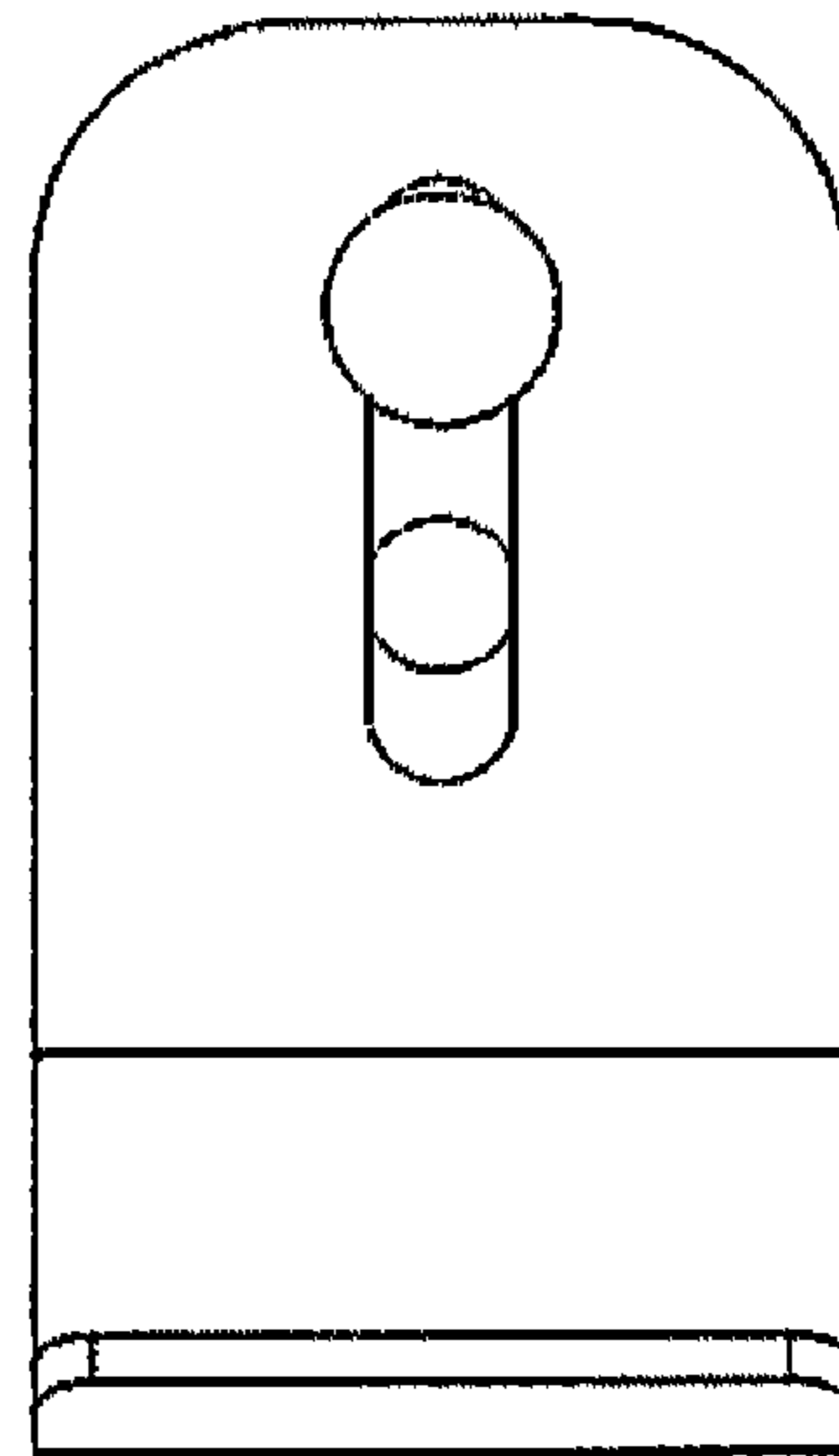


FIG. 10

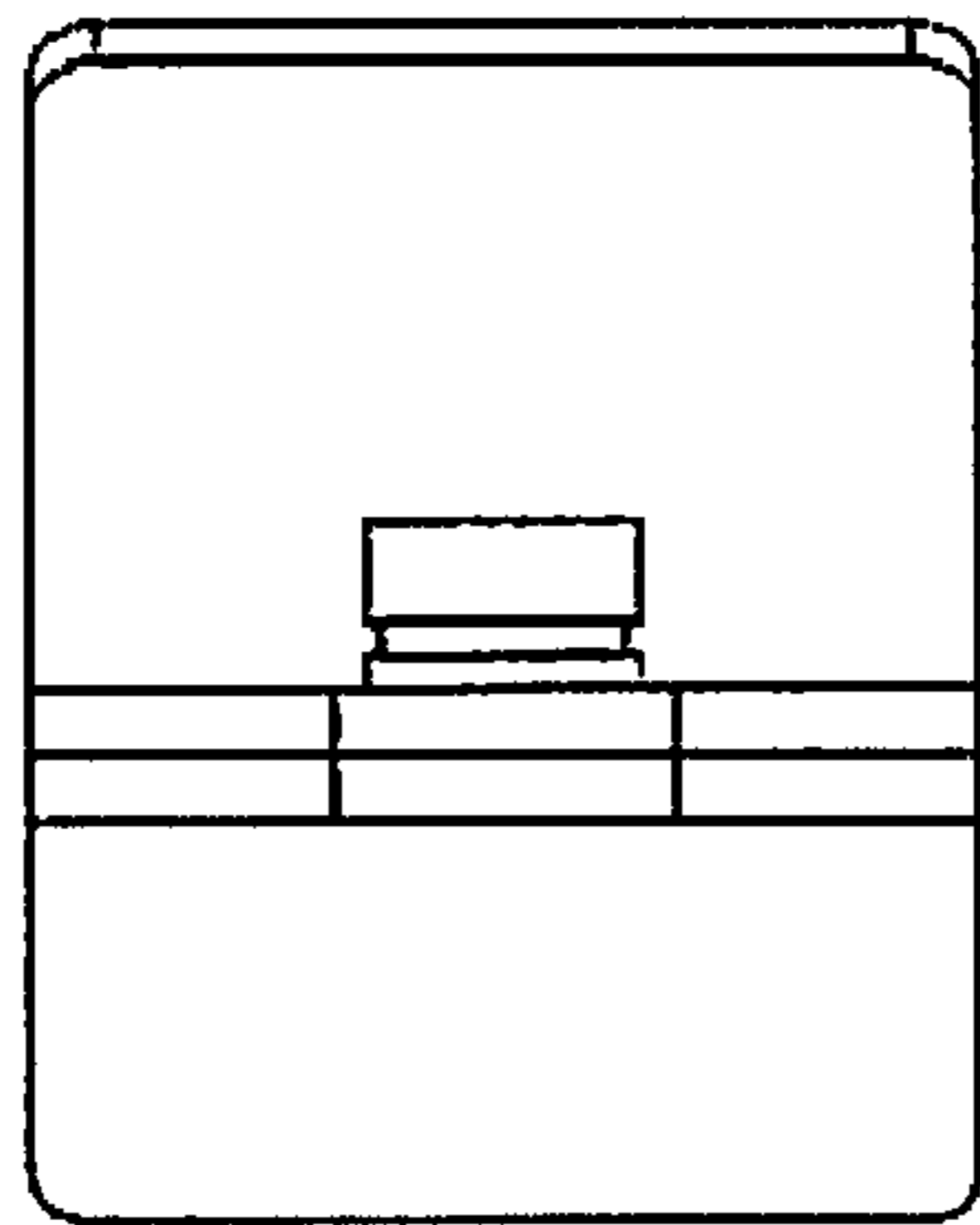


FIG. 11



FIG. 12

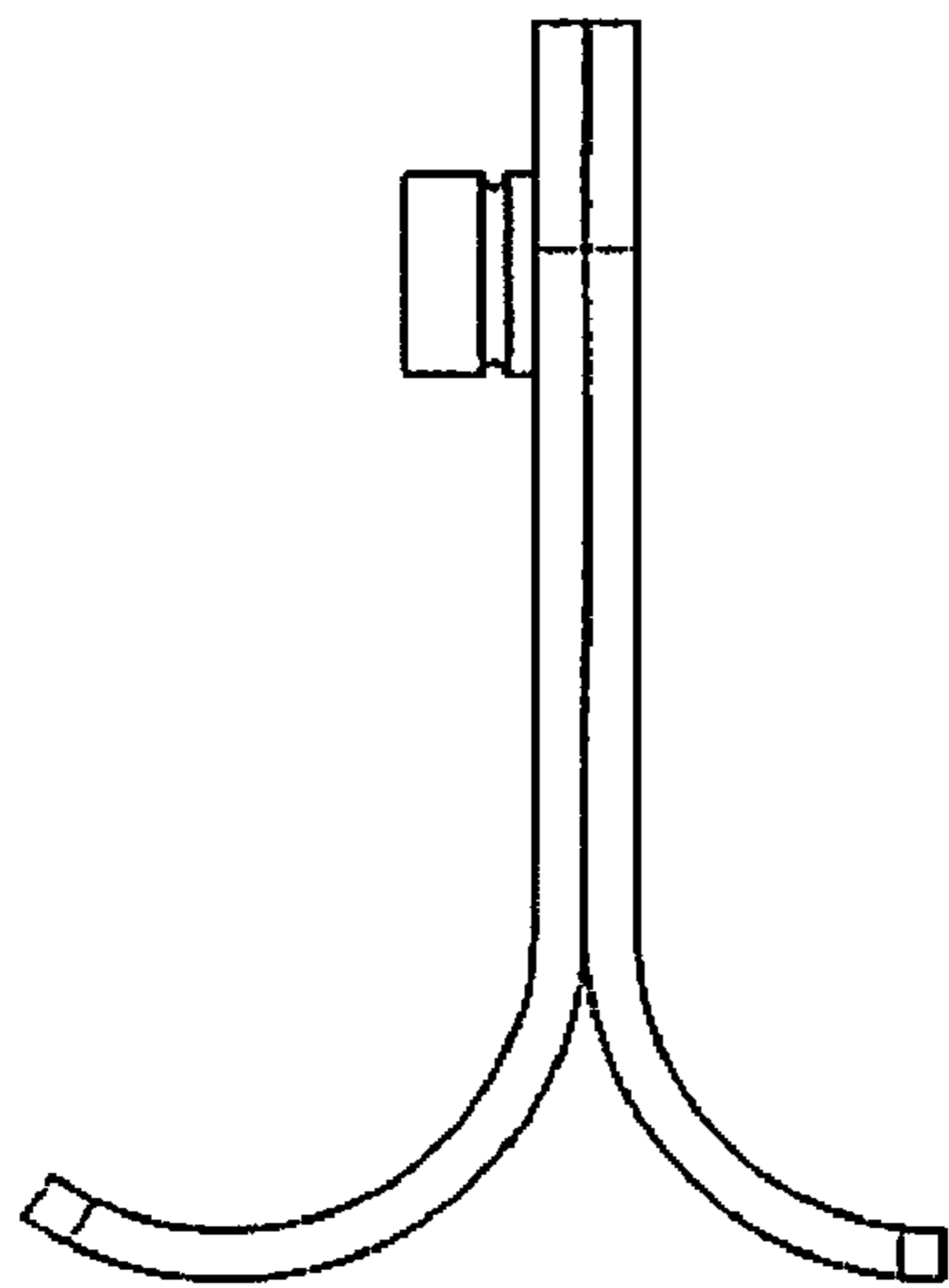


FIG. 13

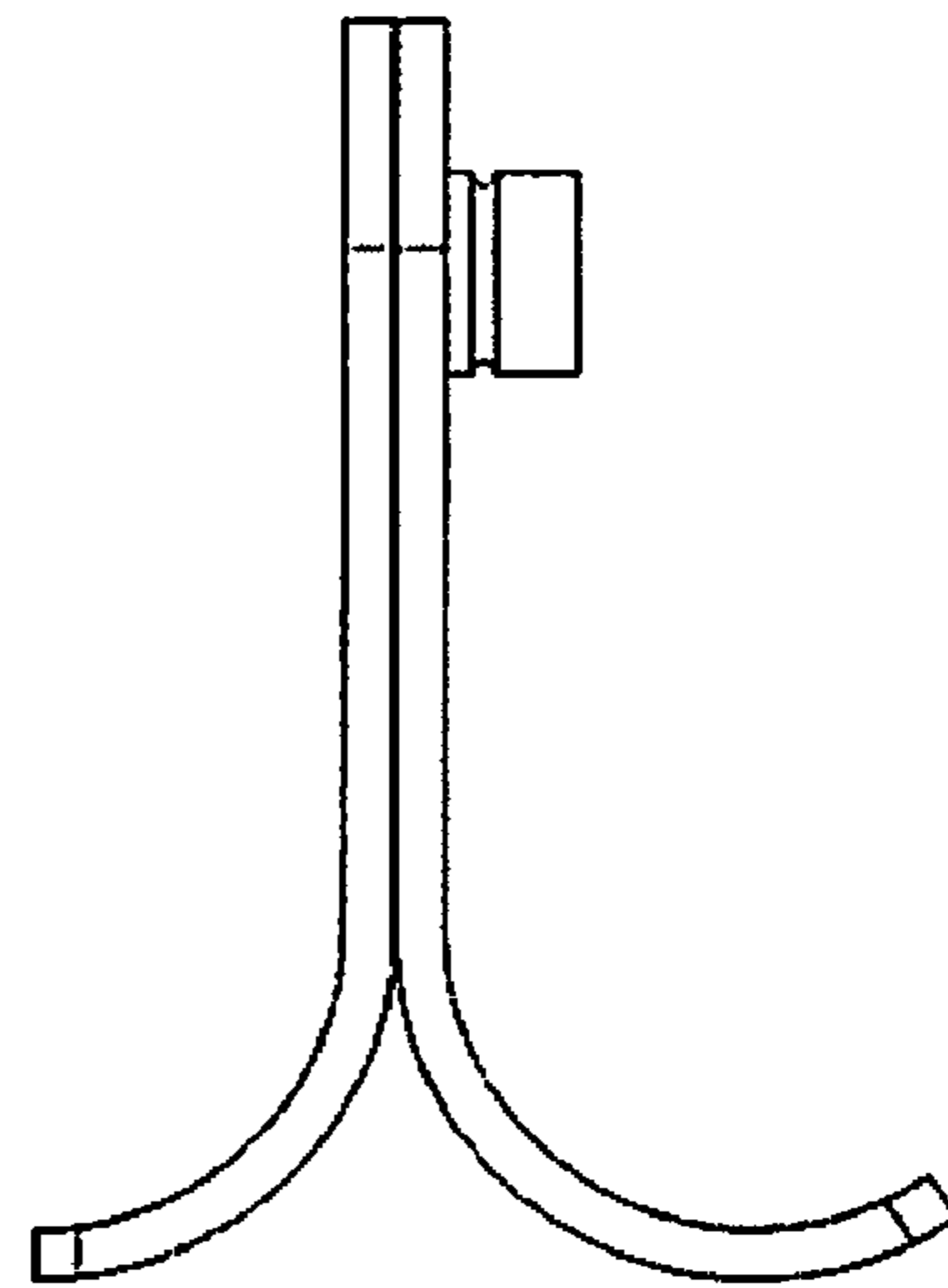


FIG. 14