



US00D676032S

(12) **United States Design Patent**
Stump et al.

(10) **Patent No.:** **US D676,032 S**
(45) **Date of Patent:** **** Feb. 12, 2013**

(54) **CASE FOR A MOBILE PHONE WITH
DETACHABLE TRIPOD MOUNT**

(76) Inventors: **John Russell Stump**, Santa Barbara, CA
(US); **Michael Daoud**, Goleta, CA (US)

(**) Term: **14 Years**

(21) Appl. No.: **29/372,689**

(22) Filed: **Dec. 27, 2010**

(51) **LOC (9) Cl.** **14-03**

(52) **U.S. Cl.** **D14/250**

(58) **Field of Classification Search** D14/248,
D14/250-253, 440, 203.1-203.7, 217-218,
D14/496, 137-138 AA, 138 G, 168, 474;
D3/201, 218, 269, 301, 273, 303, 103, 247;
D13/103, 107, 108, 119; D6/407; D21/333;
220/4.02; 361/679.56, 679.55, 679.01; 379/426,
379/433.11, 455; 455/575.1, 575.8; 190/100;
206/305, 320

See application file for complete search history.

(56) **References Cited**

U.S. PATENT DOCUMENTS

D529,045 S *	9/2006	Shin	D14/203.7
D560,647 S *	1/2008	Choi et al.	D14/138 AA
D574,819 S *	8/2008	Andre et al.	D3/269
D598,879 S *	8/2009	Tompkin	D14/138 AA
D607,431 S *	1/2010	Luo et al.	D14/138 AA
D609,900 S *	2/2010	Behar et al.	D3/201
D611,478 S *	3/2010	Richardson et al.	D14/447
D613,494 S *	4/2010	Sawhney et al.	D3/201
D626,746 S *	11/2010	Roman	D3/269
D633,458 S *	3/2011	Jinkinson et al.	D14/138 AA
D635,131 S *	3/2011	Roman	D14/240
D644,218 S *	8/2011	Akana et al.	D14/341
D647,498 S *	10/2011	Lee et al.	D14/138 G
D647,519 S *	10/2011	Rothbaum et al.	D14/250
D654,069 S *	2/2012	Kwon et al.	D14/250
D655,281 S *	3/2012	Turocy	D14/250

OTHER PUBLICATIONS

XShot iPhone 4 / 4S Case. [online] [retrieved on Aug. 23, 2012].
Retrieved from URL: <<http://xshot.com/products/xshot-iphone-4-case>>.*

* cited by examiner

Primary Examiner — Robert M Spear

Assistant Examiner — Vy Koenig

(74) *Attorney, Agent, or Firm* — QuickPatents; Kevin Prince

(57) **CLAIM**

The ornamental design for a case for a mobile phone with detachable tripod mount, as shown and described.

DESCRIPTION

FIG. 1 is an isometric view of the case of the present design, defining top, bottom, left and right sides for drawings 2-7.

FIG. 2 is an isometric view of the present design shown with mounting clips installed.

FIG. 3 is an isometric view of the front side of the present design.

FIG. 4 is a back view of the present design with mounting clips installed.

FIG. 5 is a front view of the present design with mounting clips installed.

FIG. 6 is a top view of the present design.

FIG. 7 is a bottom view of the present design.

FIG. 8 is a left view of the present design.

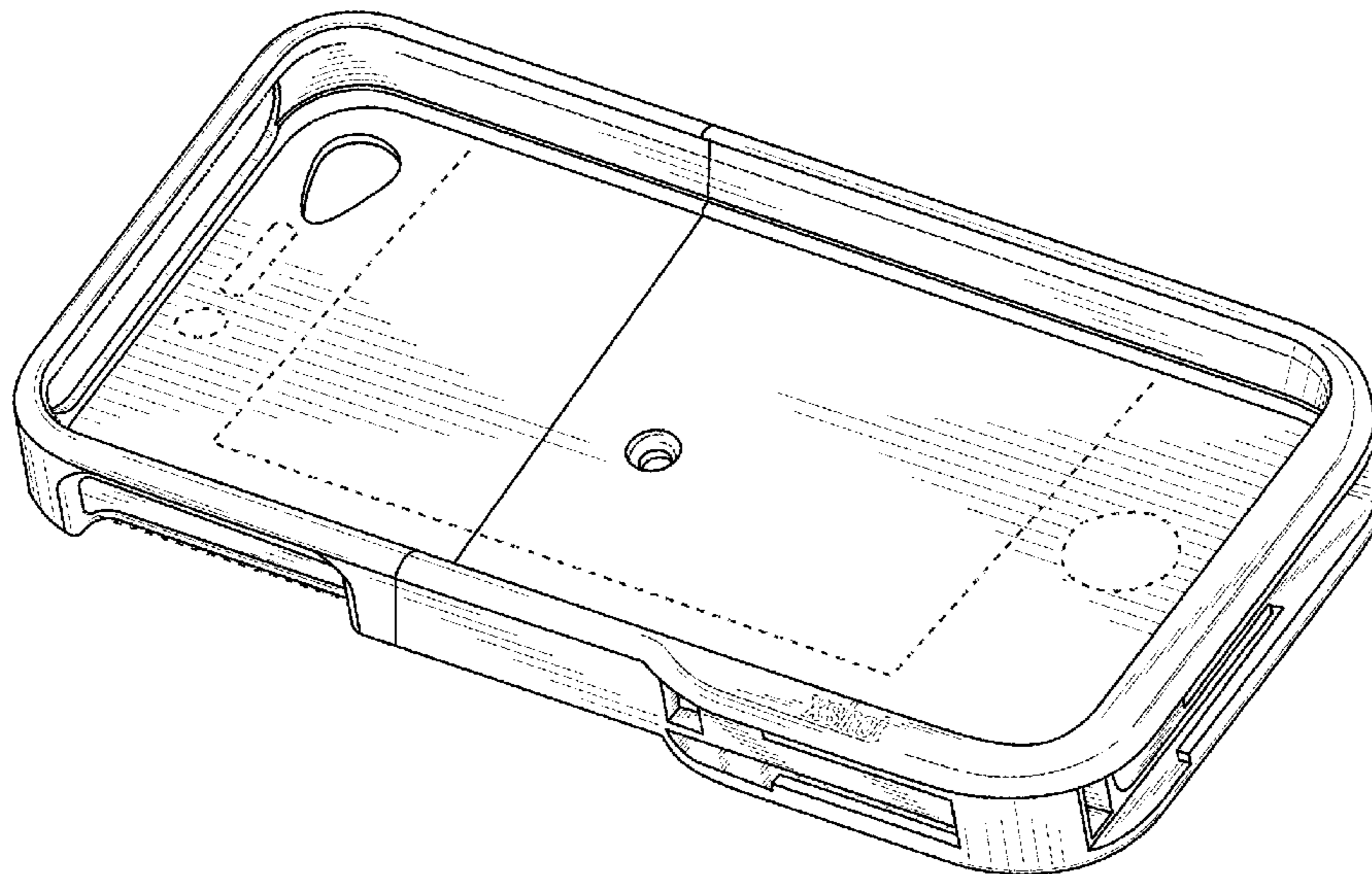
FIG. 9 is a right view of the present design; and,

FIG. 10 is an isometric view of the present design shown mounted to a handheld monopod for reference.

The broken line showing of the inserted phone, mounting clips, logo and monopod throughout the figures illustrates environment and forms no part of the claimed design.

The xshot™ logo depicted in broken lines throughout the figures is a registered trademark of XSHOT LLC.

1 Claim, 7 Drawing Sheets



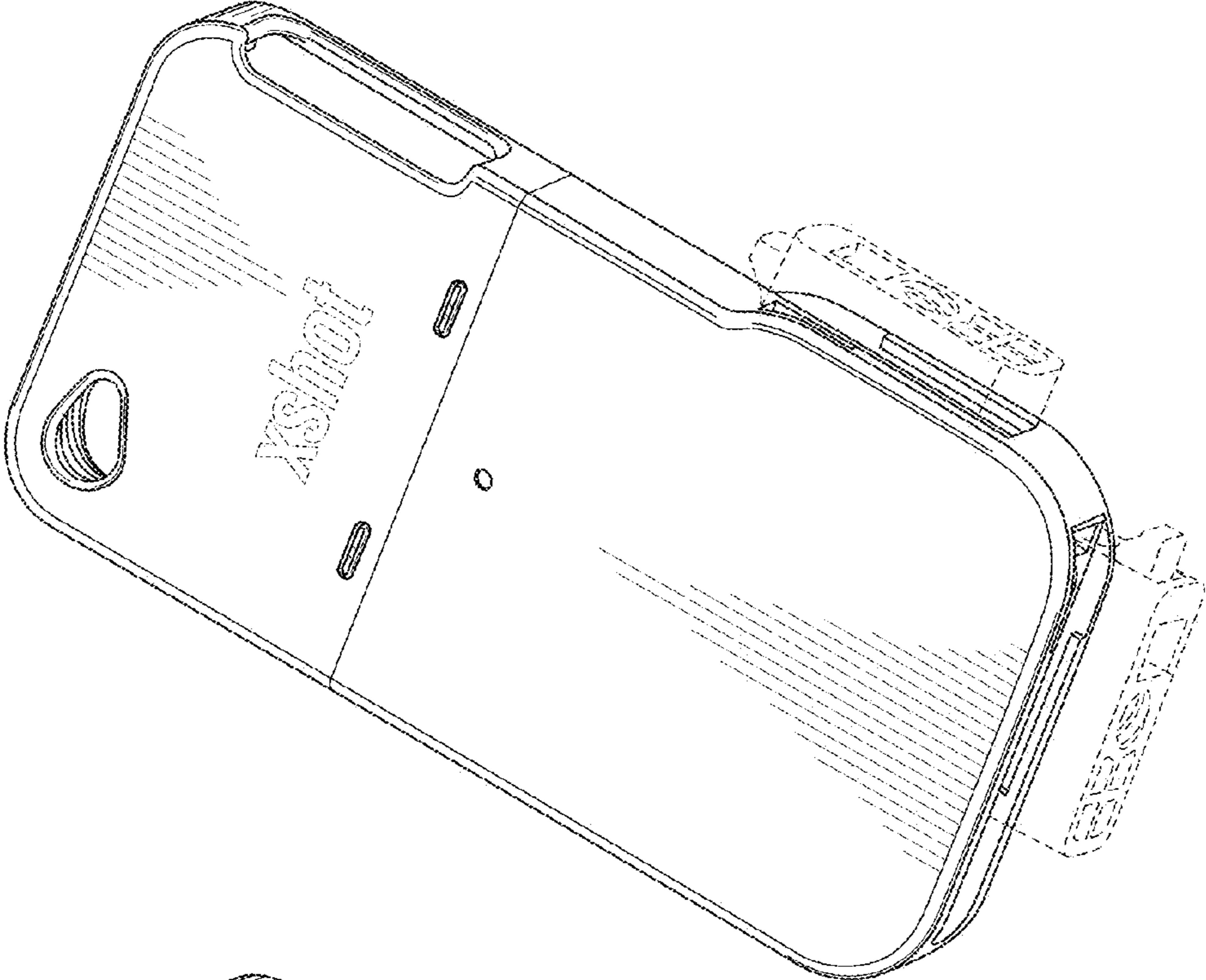


FIG. 1

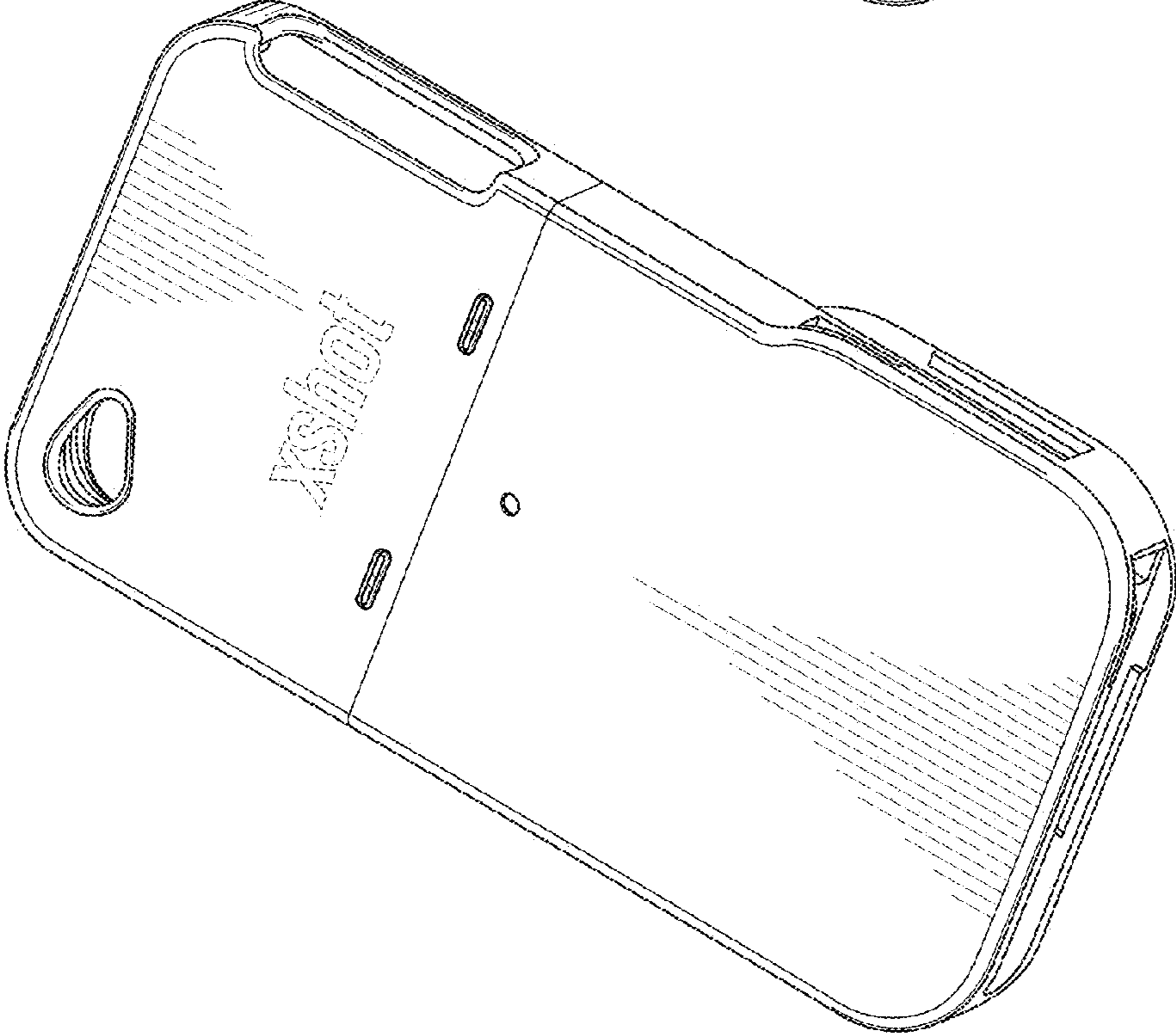


FIG. 2



FIG. 3

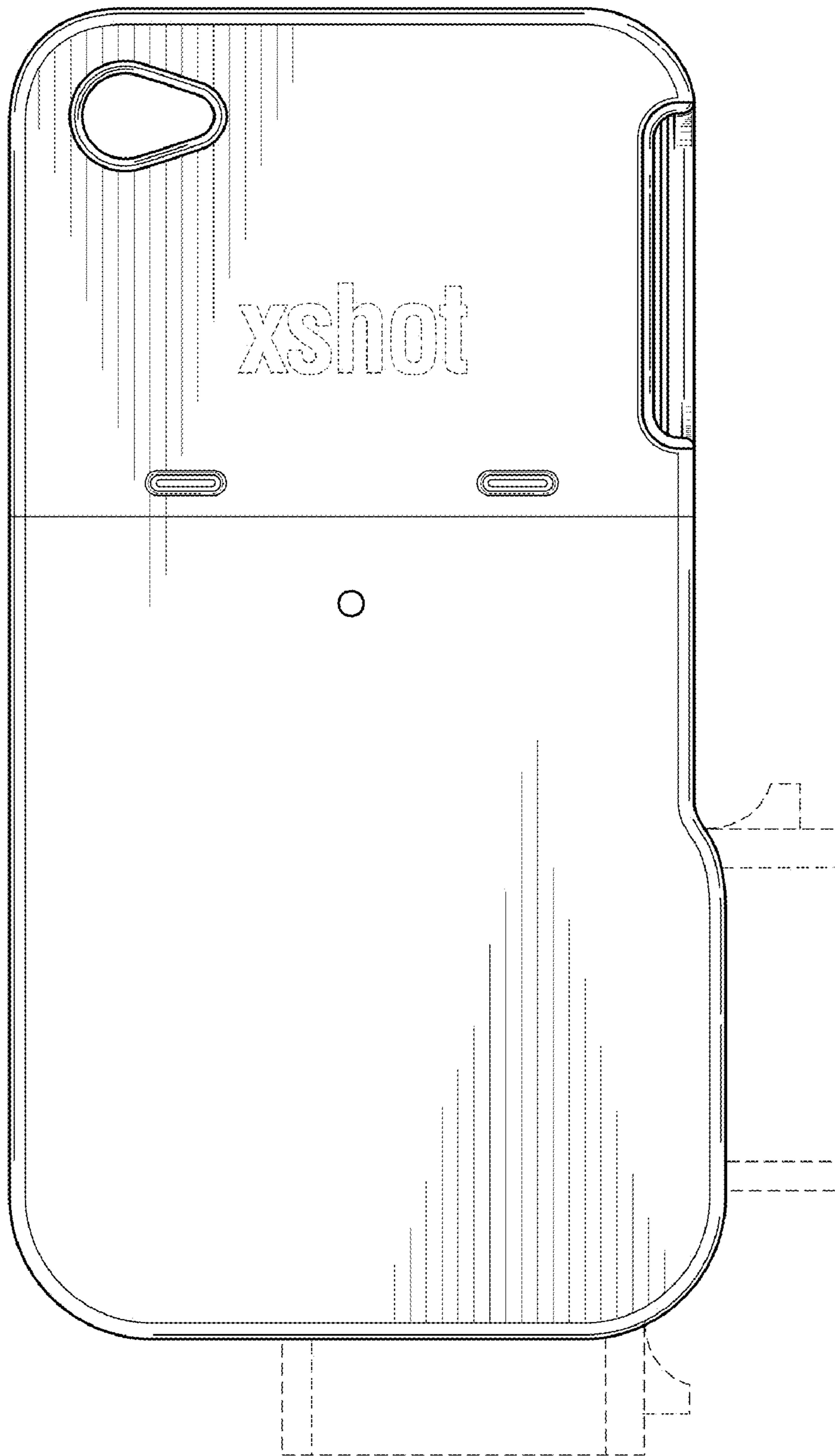


FIG. 4

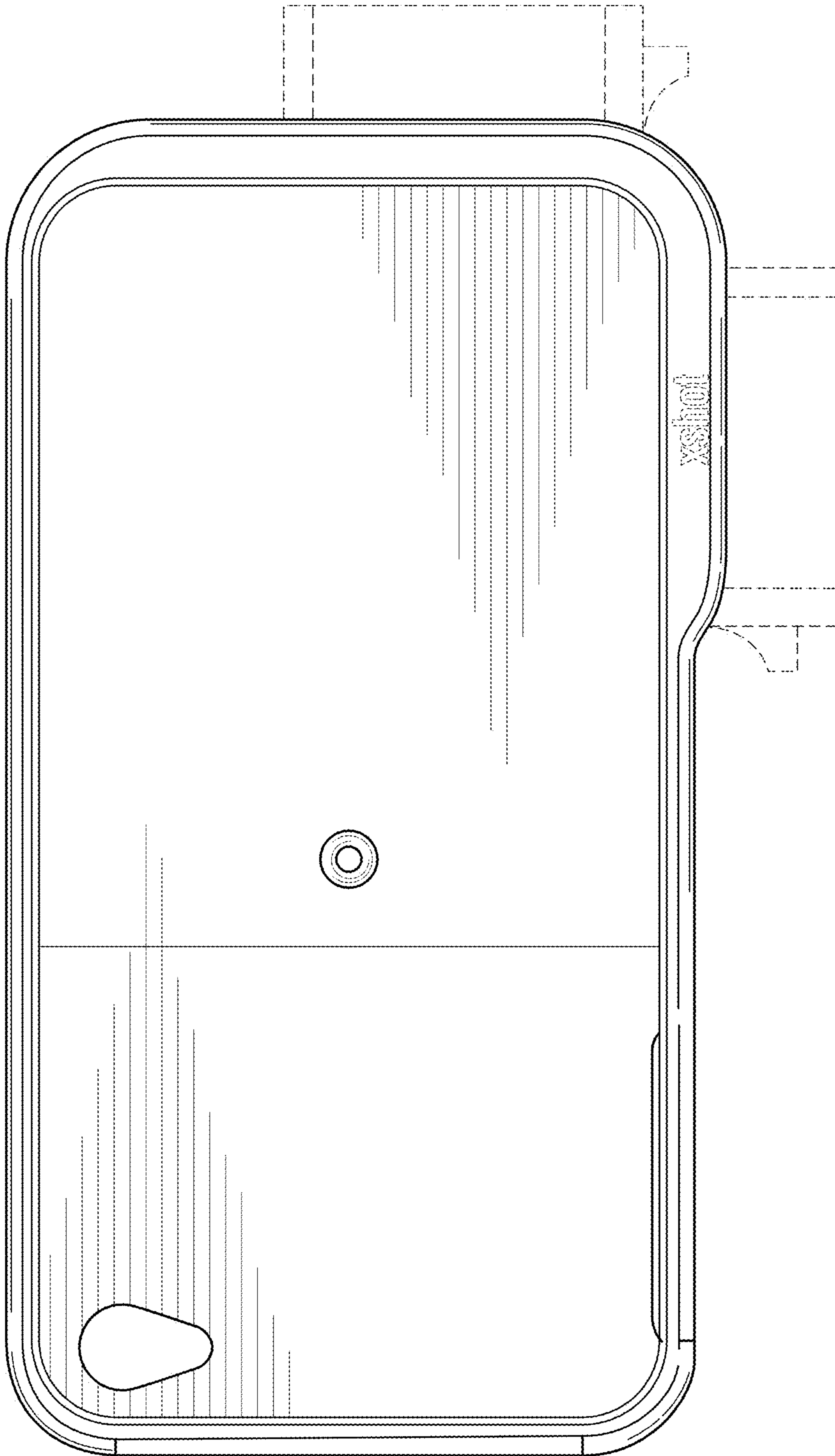


FIG. 5

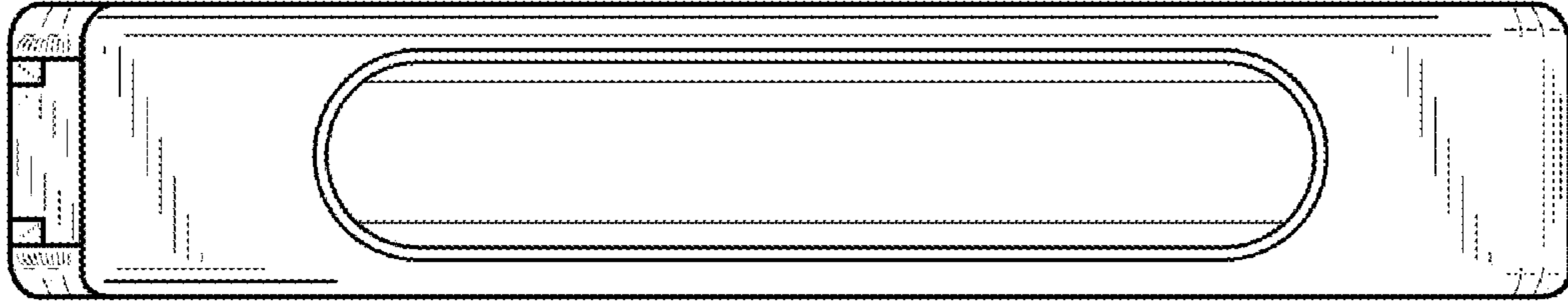


FIG. 6

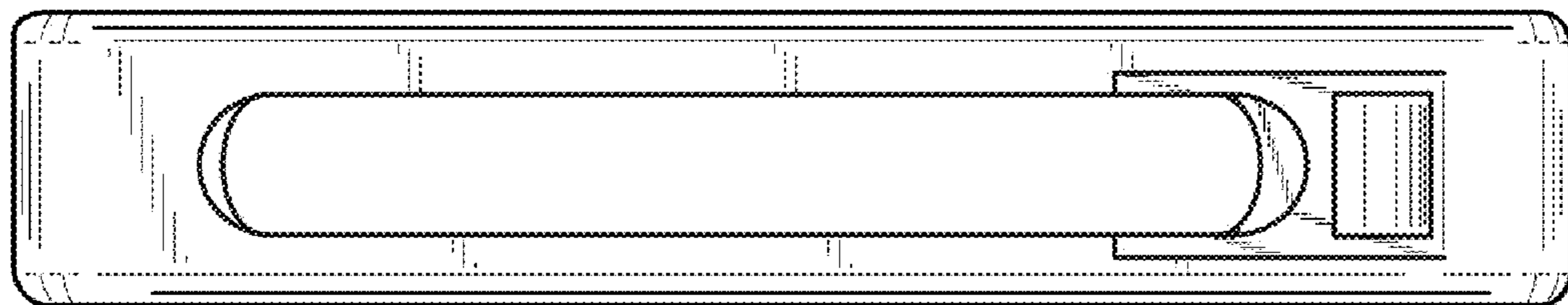


FIG. 7

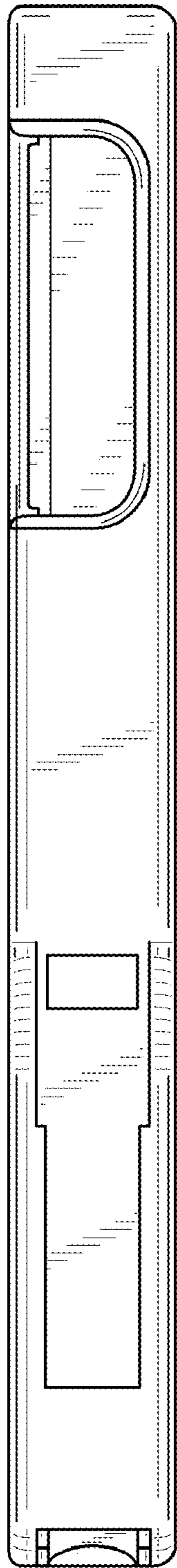


FIG. 8

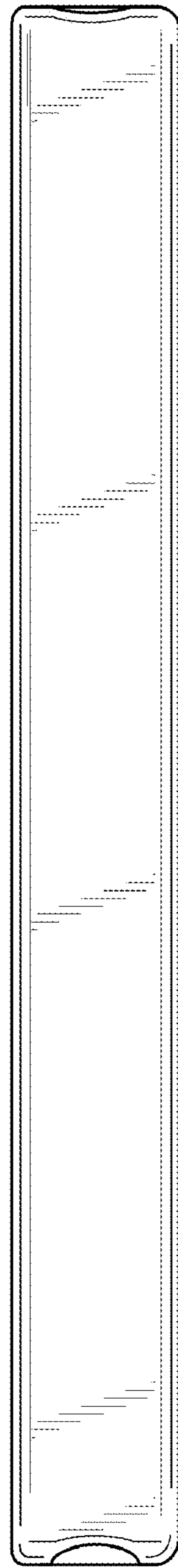


FIG. 9

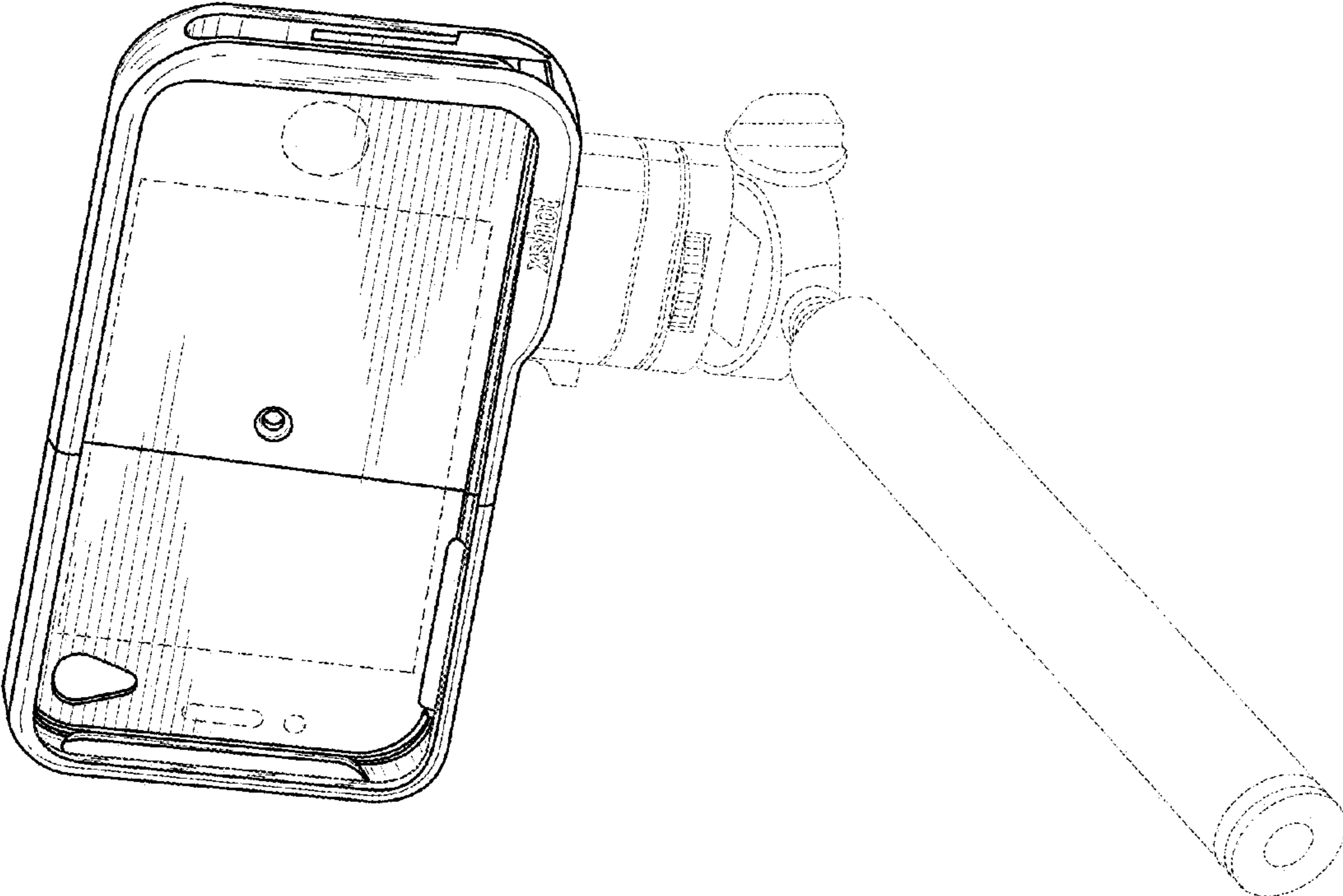


FIG. 10