



US00D676028S

(12) **United States Design Patent**
Saeki

(10) **Patent No.:** **US D676,028 S**
(45) **Date of Patent:** **** Feb. 12, 2013**

(54) **TRIM FOR MULTISCREEN DISPLAY**

(75) Inventor: **Taisuke Saeki**, Osaka (JP)

(73) Assignee: **Sharp Kabushiki Kaisha**, Osaka (JP)

(**) Term: **14 Years**

(21) Appl. No.: **29/388,762**

(22) Filed: **Apr. 1, 2011**

(30) **Foreign Application Priority Data**

Oct. 1, 2010 (JP) 2010-023576

(51) **LOC (9) Cl.** **14-03**

(52) **U.S. Cl.** **D14/239**

(58) **Field of Classification Search** D14/125-134,
D14/239, 371, 136, 374-377, 440, 450, 448,
D14/336, 342; 312/7.2; 348/836, 838, 180,
348/184, 325, 739, 841; 341/12; 248/917-924,
248/465, 309.2; 345/104, 133, 156, 168,
345/87, 173; 720/605, 669, 600, 655; 369/99,
369/197; 455/344, 347; D21/329, 515, 577,
D21/622, 333, 433, 448, 452, 450, 331; D6/477,
D6/479, 300; 273/148 B; 446/484, 175,
446/356; D10/15, 26; 361/801, 309.2, 679.47,
361/679.52, 700, 702, 704, 710, 717, 718,
361/719; 257/88; D25/124, 47, 52, 60, 119,
D25/121, 122; D26/138

See application file for complete search history.

(56) **References Cited**

U.S. PATENT DOCUMENTS

D307,802 S * 5/1990 Westphal et al. D25/124
5,264,765 A * 11/1993 Pecorino et al. 318/265

D420,150 S * 2/2000 Hersh et al. D25/124
D437,061 S * 1/2001 Habeck et al. D25/124
D441,879 S * 5/2001 Habeck et al. D25/124
D506,125 S * 6/2005 Munson et al. D8/373
D530,103 S * 10/2006 Phillips D6/302
7,287,737 B2 * 10/2007 Rossi 248/475.1
7,471,804 B2 * 12/2008 Lee 381/388
7,853,414 B2 * 12/2010 Mischel et al. 702/44
D649,686 S * 11/2011 Trzesniowski D26/138
8,237,875 B2 * 8/2012 Nguyen 348/841
2006/0244870 A1 * 11/2006 Yamato et al. 348/836

* cited by examiner

Primary Examiner — Raphael Barkai
Assistant Examiner — Randall Gholson

(74) *Attorney, Agent, or Firm* — Nixon & Vanderhye, P.C.

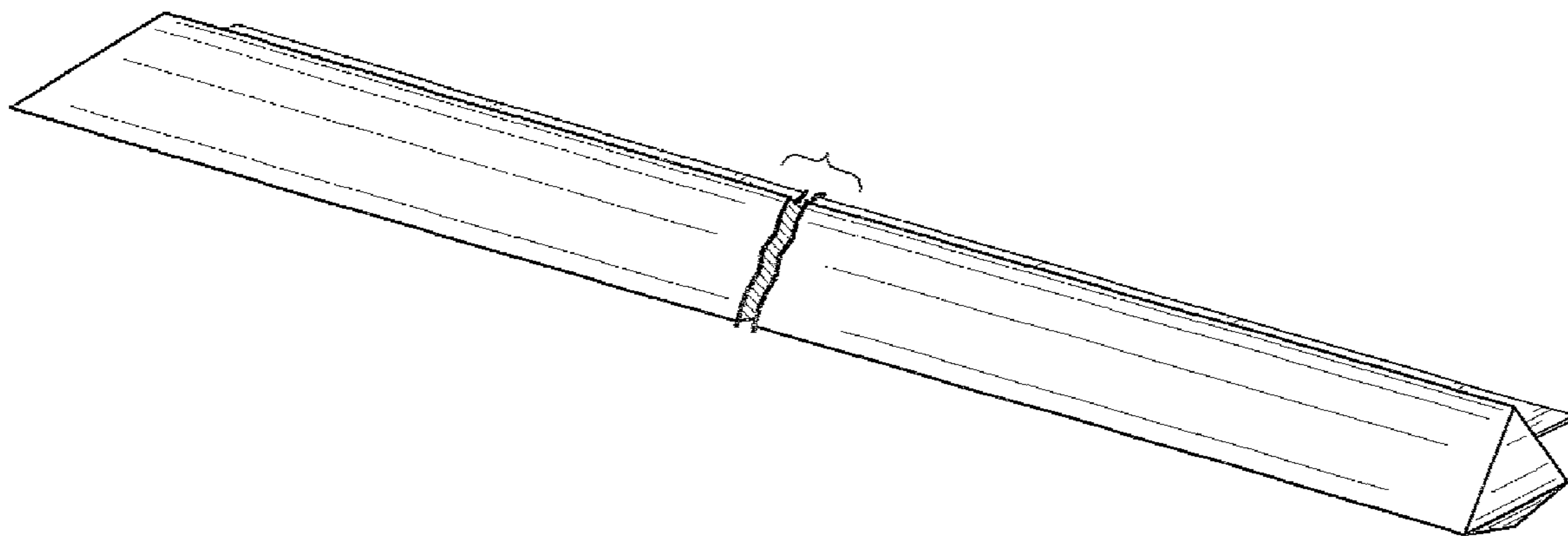
(57) **CLAIM**

The ornamental design for “trim for multiscreen display,” as shown and described.

DESCRIPTION

FIG. 1 is a right, front, top perspective view of trim for multiscreen display in accordance with my new design; FIG. 2 is a front elevation view thereof; FIG. 3 is a rear elevation view thereof; FIG. 4 is a top plan view thereof; FIG. 5 is a bottom plan view thereof; FIG. 6 is a right side elevation view thereof; FIG. 7 is a left side elevation view thereof; FIG. 8 is a reference perspective view showing intersecting trim components of FIGS. 1-7 mounted within a multiscreen display; and, FIG. 9 is an enlarged detail taken from FIG. 8. Subject matter shown in broken lines in FIG. 8 is for reference purposes only and is not part of the claimed invention.

1 Claim, 5 Drawing Sheets



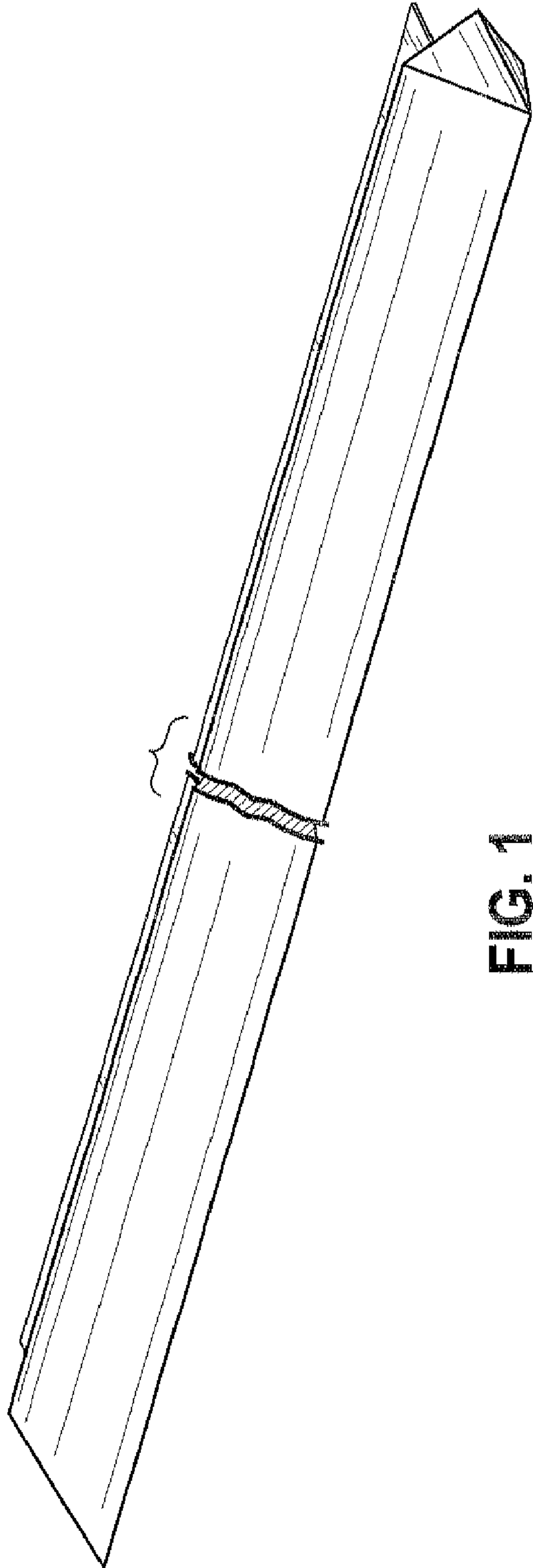


FIG. 1

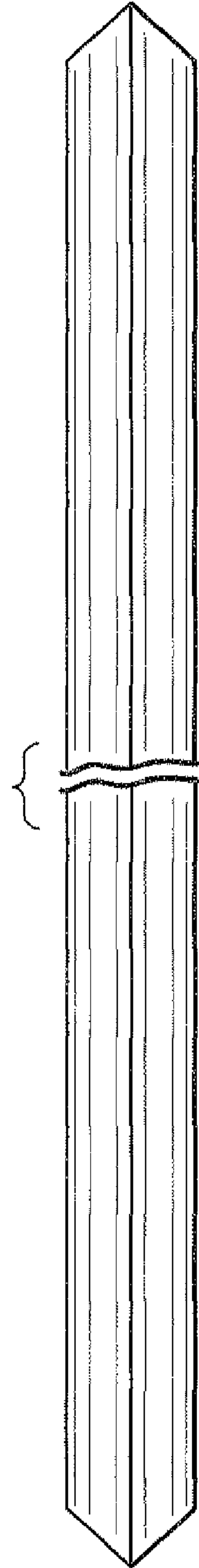


FIG. 2

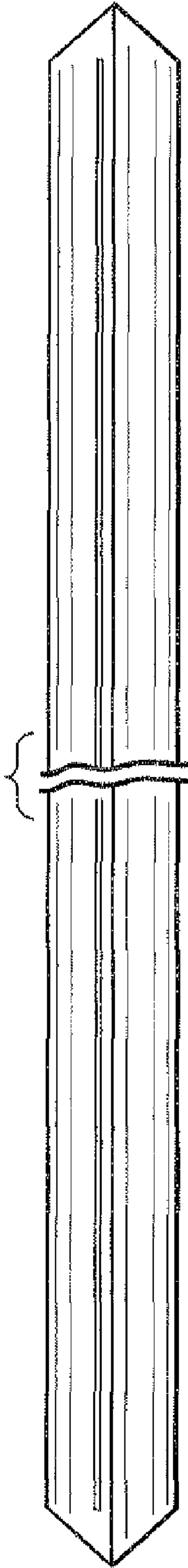


FIG. 3

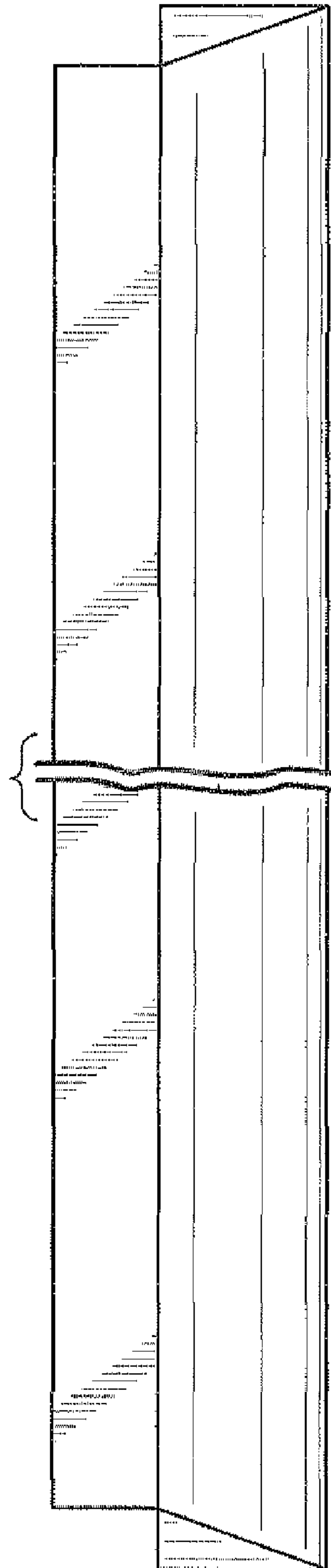


FIG. 4

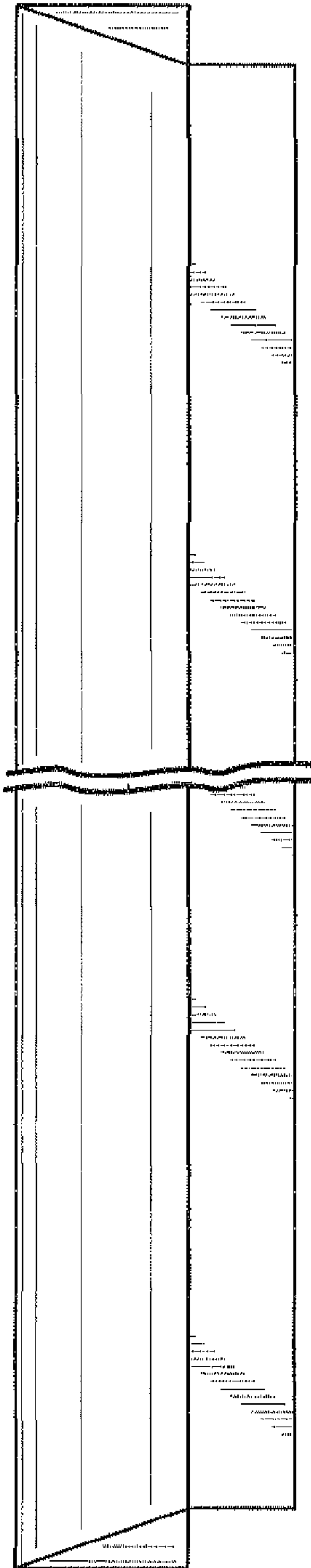


FIG. 5



FIG. 6

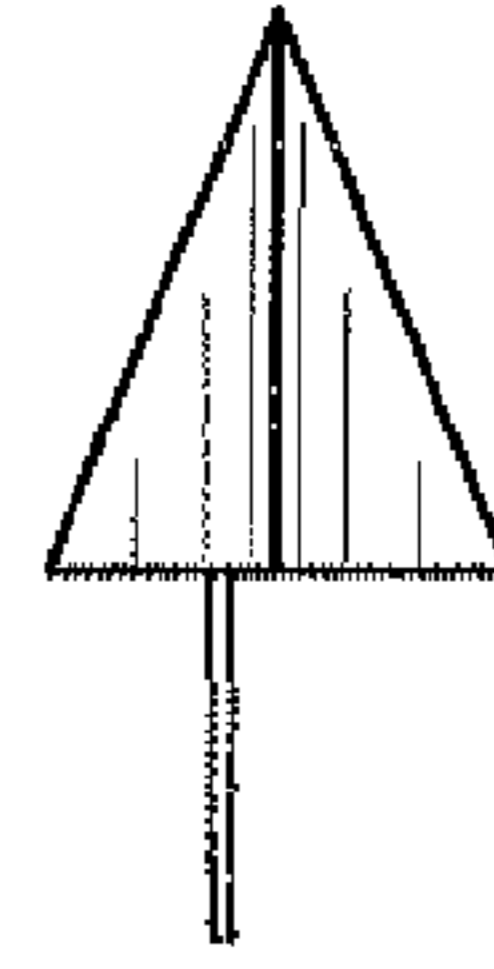


FIG. 7

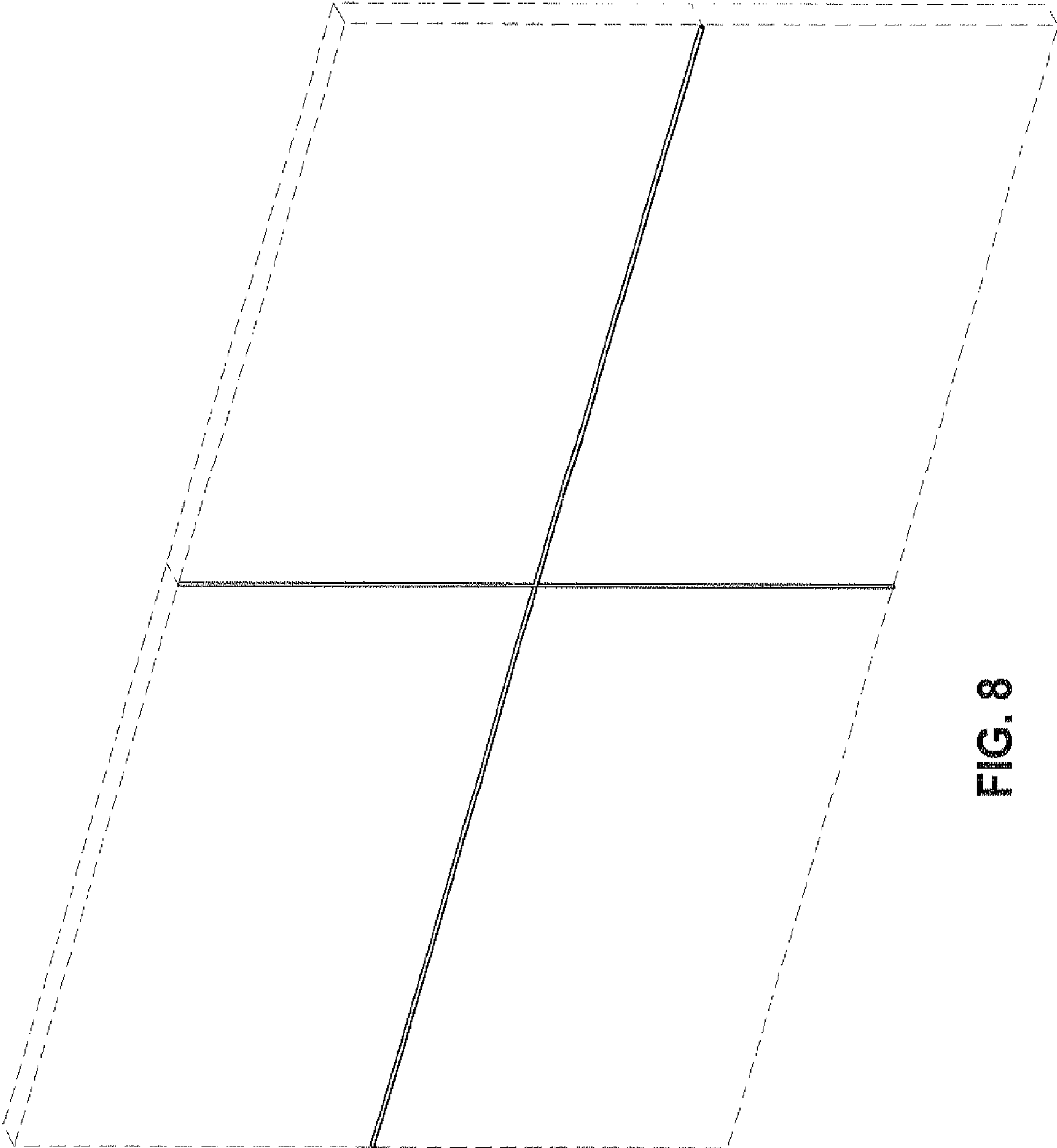


FIG. 8

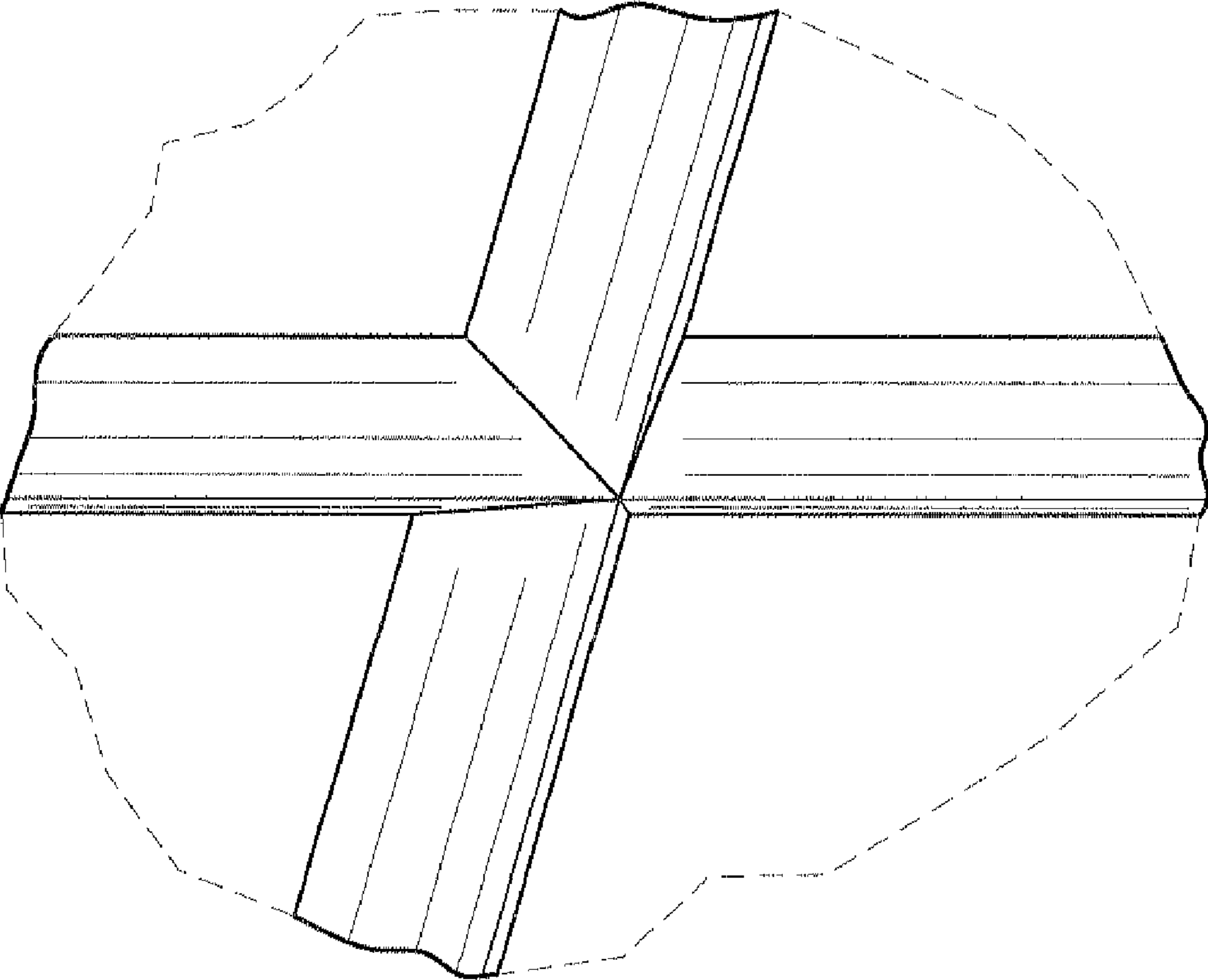


FIG. 9