



US00D676027S

(12) **United States Design Patent**
Hedrick et al.

(10) **Patent No.:** **US D676,027 S**

(45) **Date of Patent:** **** Feb. 12, 2013**

(54) **HOUSING FOR BONE VIBRATING
TRANSDUCER FOR COMMUNICATIONS
HEADSET**

2006/0227982 A1 10/2006 Miranda
2009/0060231 A1 3/2009 Buroojy
2009/0092269 A1 4/2009 Nielsen et al.

FOREIGN PATENT DOCUMENTS

EP 0806099 B1 8/2000
WO 2007107985 A2 9/2007
WO 2007133055 A1 11/2007

(75) Inventors: **Randall Hedrick**, Topeka, KS (US);
David J. Bondarenko, Topeka, KS (US)

(73) Assignee: **Atlantic Signal, LLC**, Topeka, KS (US)

(**) Term: **14 Years**

(21) Appl. No.: **29/411,143**

(22) Filed: **Jan. 17, 2012**

(51) **LOC (9) Cl.** **14-01**

(52) **U.S. Cl.** **D14/223**

(58) **Field of Classification Search** D14/205,
D14/206, 223; 181/129, 130, 135; 379/430,
379/431; 381/380, 381, 151, 326, 190; 455/90.3,
455/575.1

See application file for complete search history.

OTHER PUBLICATIONS

Datasheet for Phonak ear piece with concha retention bow not invented by applicants.

International Search Report and the Written Opinion of the International Searching Authority in International Application No. PCT/US/2010/041517 which claims priority from U.S. Appl. No. 12/833,067.

* cited by examiner

Primary Examiner — Paula Greene

(74) *Attorney, Agent, or Firm* — Erickson, Kernell, Derousseau & Kleypas, LLC

(57) **CLAIM**

The ornamental design for a housing for a bone vibrating transducer for a communications headset, as shown and described.

(56) **References Cited**

U.S. PATENT DOCUMENTS

2,459,325	A *	1/1949	Knowles	381/151
2,482,044	A *	9/1949	Vernier	381/151
5,086,464	A *	2/1992	Groppe	381/331
D424,568	S	5/2000	Gerdom	
D425,511	S	5/2000	Gerdom	
D428,875	S	8/2000	Gerdom	
D444,142	S	6/2001	Gerdom	
D454,554	S	3/2002	Gerdom	
6,374,126	B1	4/2002	MacDonald, Jr. et al.	
D460,752	S	7/2002	Gerdom	
6,456,721	B1	9/2002	Fukuda	
6,728,556	B1 *	4/2004	Whitley	455/575.1
7,085,543	B2 *	8/2006	Nassimi	455/90.3
D550,656	S	9/2007	Gerdom et al.	
7,461,936	B2 *	12/2008	Jannard	351/158
7,735,996	B2 *	6/2010	van der Zwan et al.	351/158
7,809,147	B2 *	10/2010	Giannetti	381/151
7,822,215	B2 *	10/2010	Carazo et al.	381/151
D659,118	S *	5/2012	Watters et al.	D14/206

DESCRIPTION

FIG. 1 is a perspective view of a housing for a bone vibrating transducer for a communications headset according to the present invention including a holster for receiving an earpiece which is shown in phantom lines and which is shown tethered to said housing;

FIG. 2 is a perspective view similar to FIG. 1 showing in phantom lines the earpiece secured in the ear of a wearer;

FIG. 3 is a top plan view thereof;

FIG. 4 is a front view thereof;

FIG. 5 is a right side view thereof;

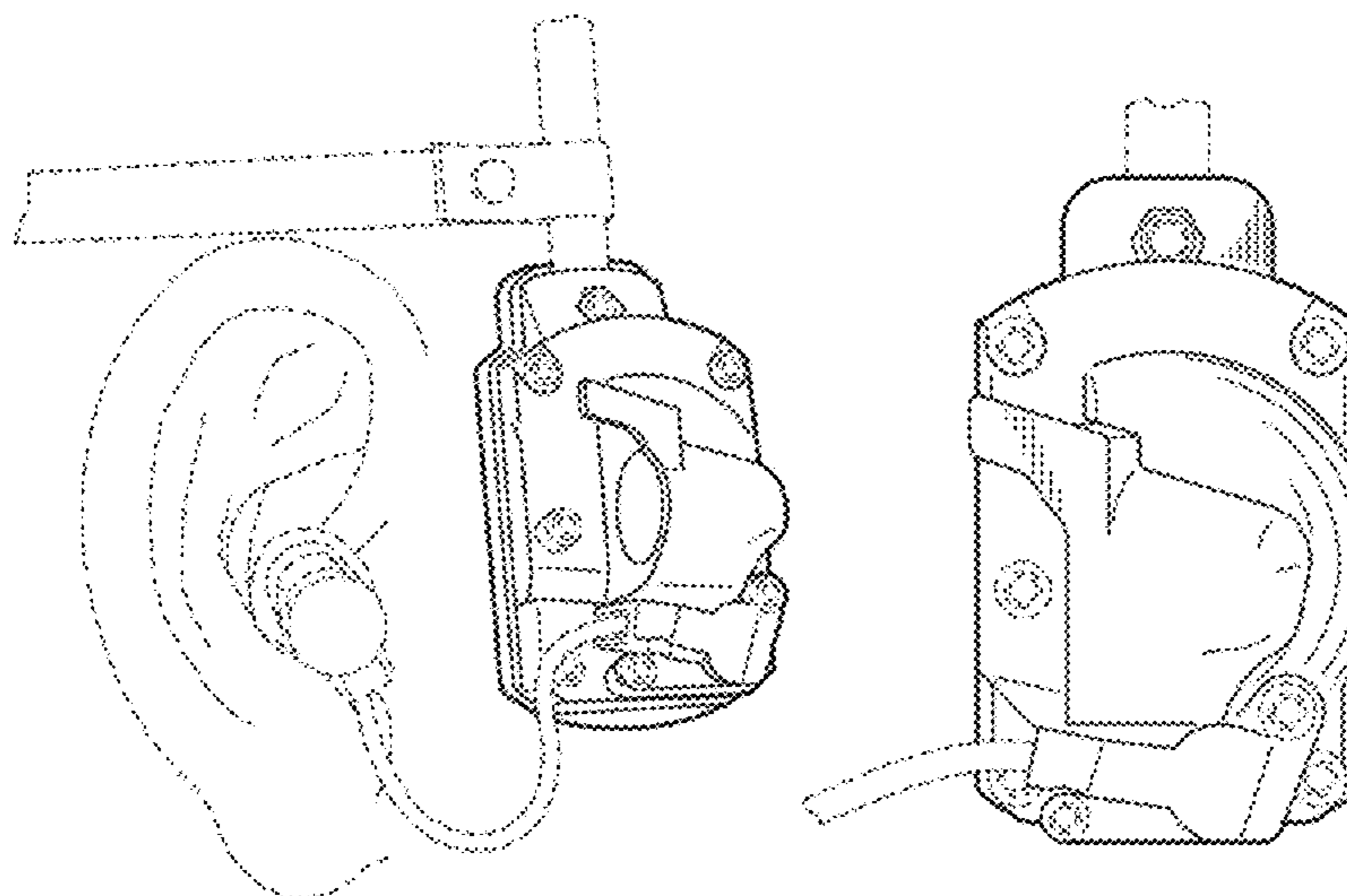
FIG. 6 is a rear view thereof;

FIG. 7 is a left side view thereof; and,

FIG. 8 is a bottom plan view thereof.

The broken lines form no part of the claimed design.

1 Claim, 3 Drawing Sheets



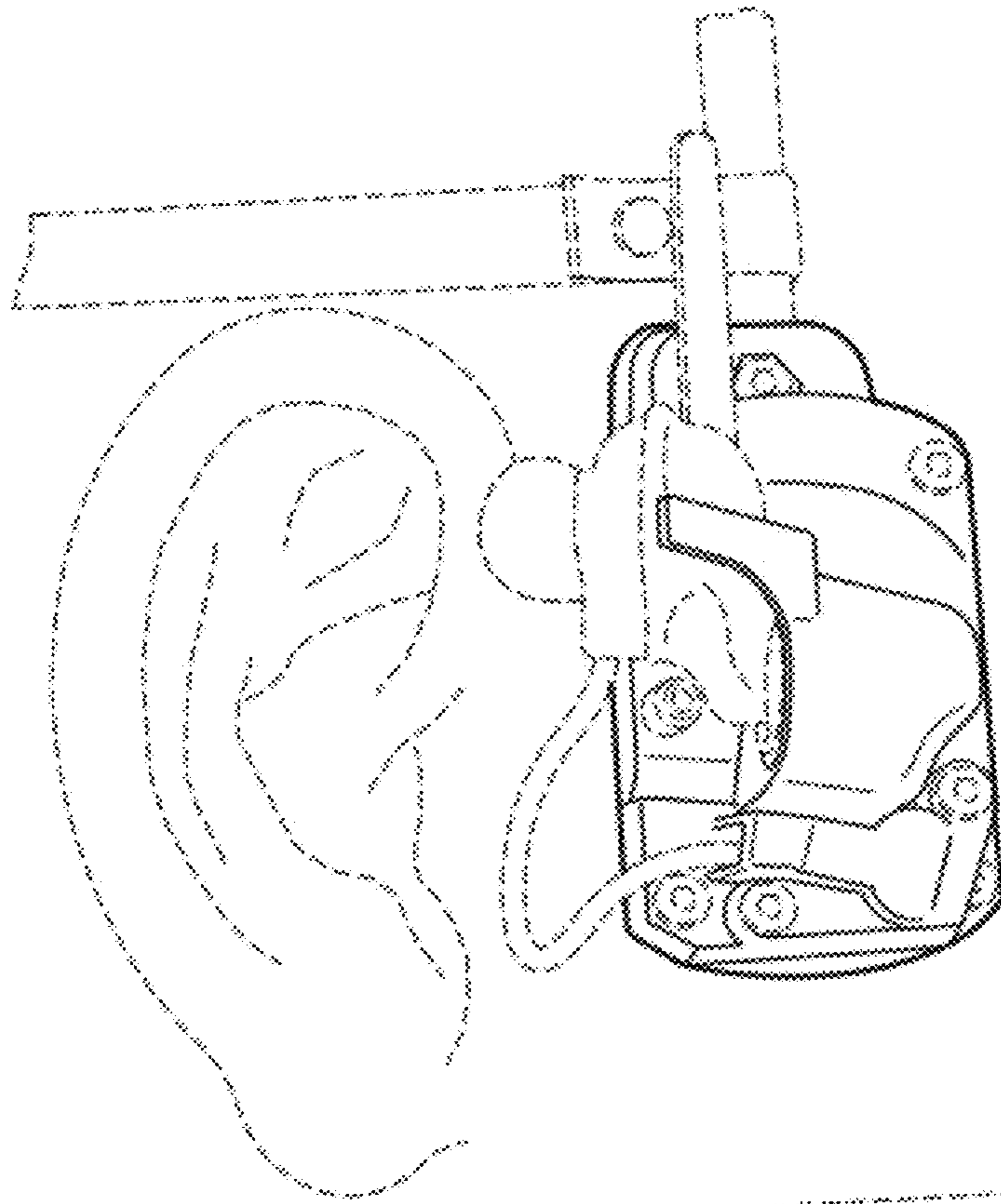


Fig. 1

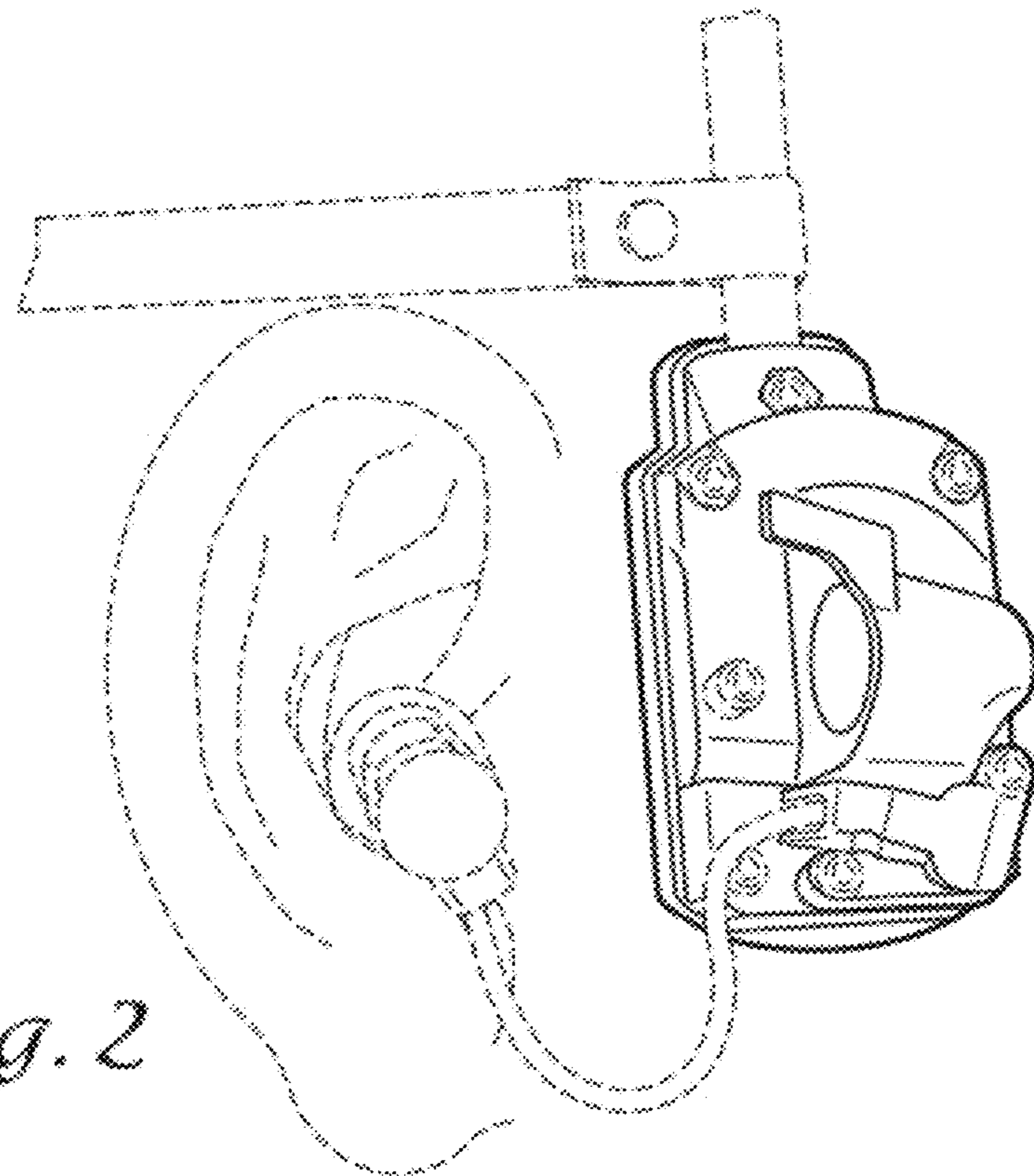


Fig. 2

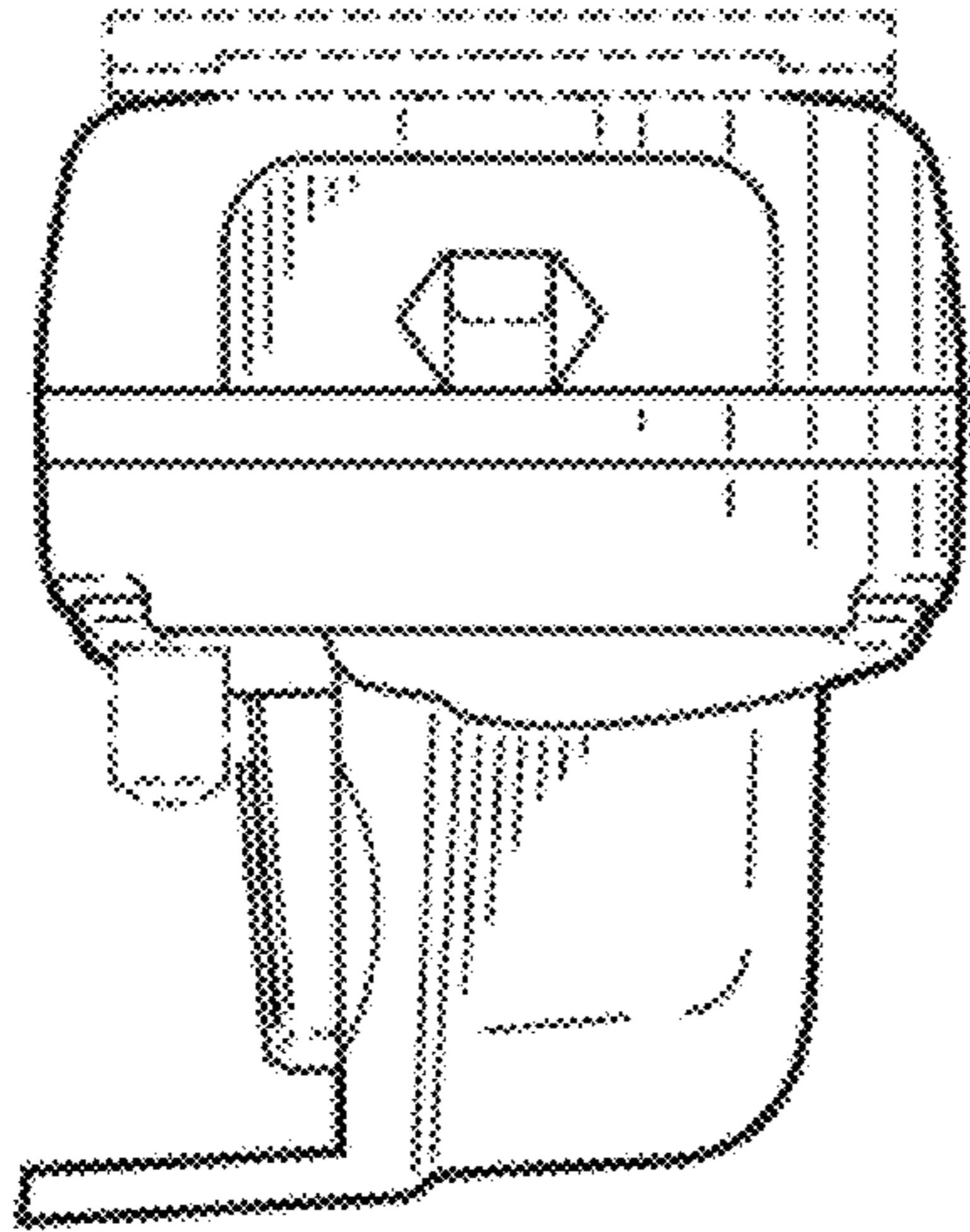


Fig. 3

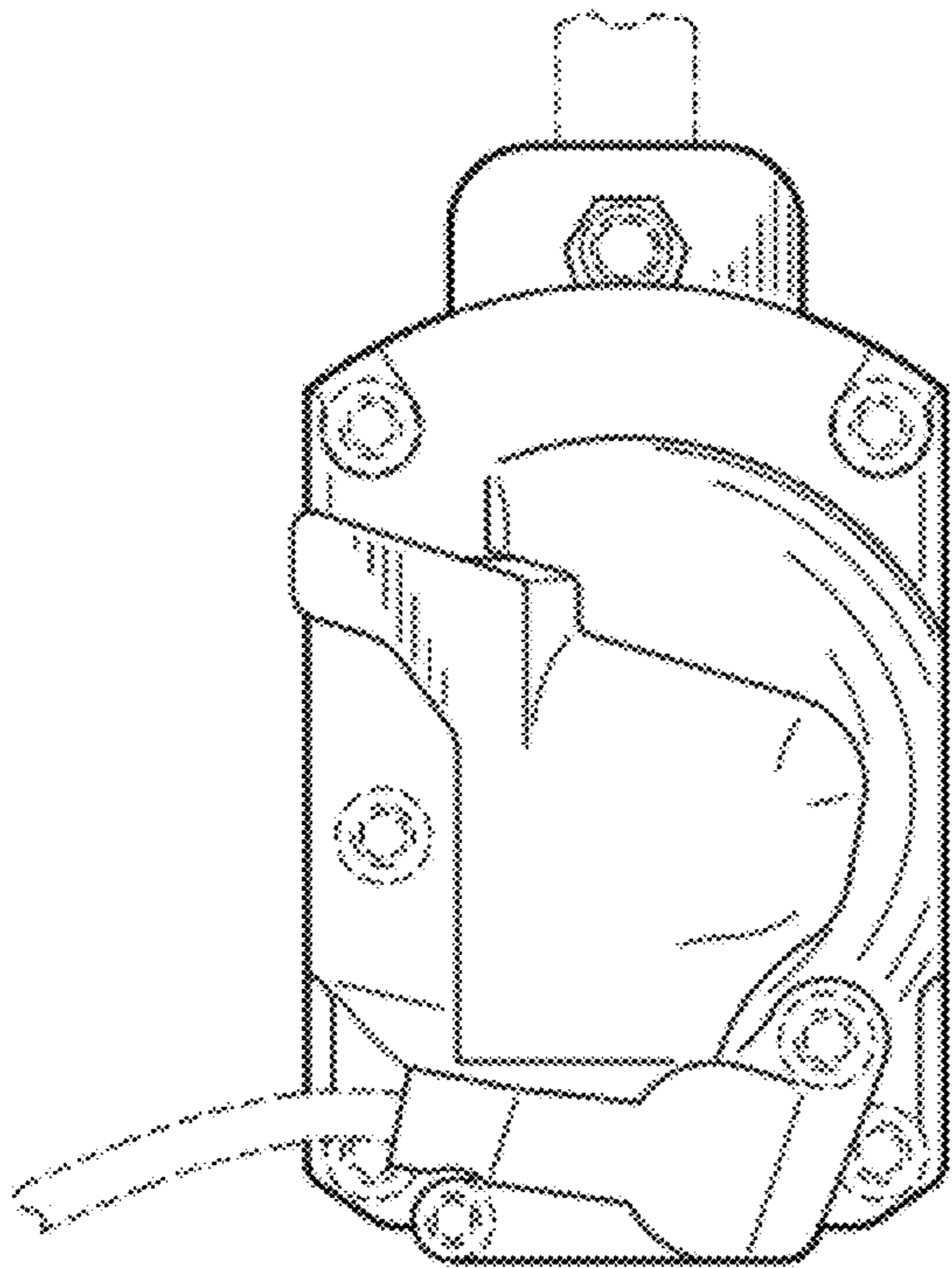


Fig. 4

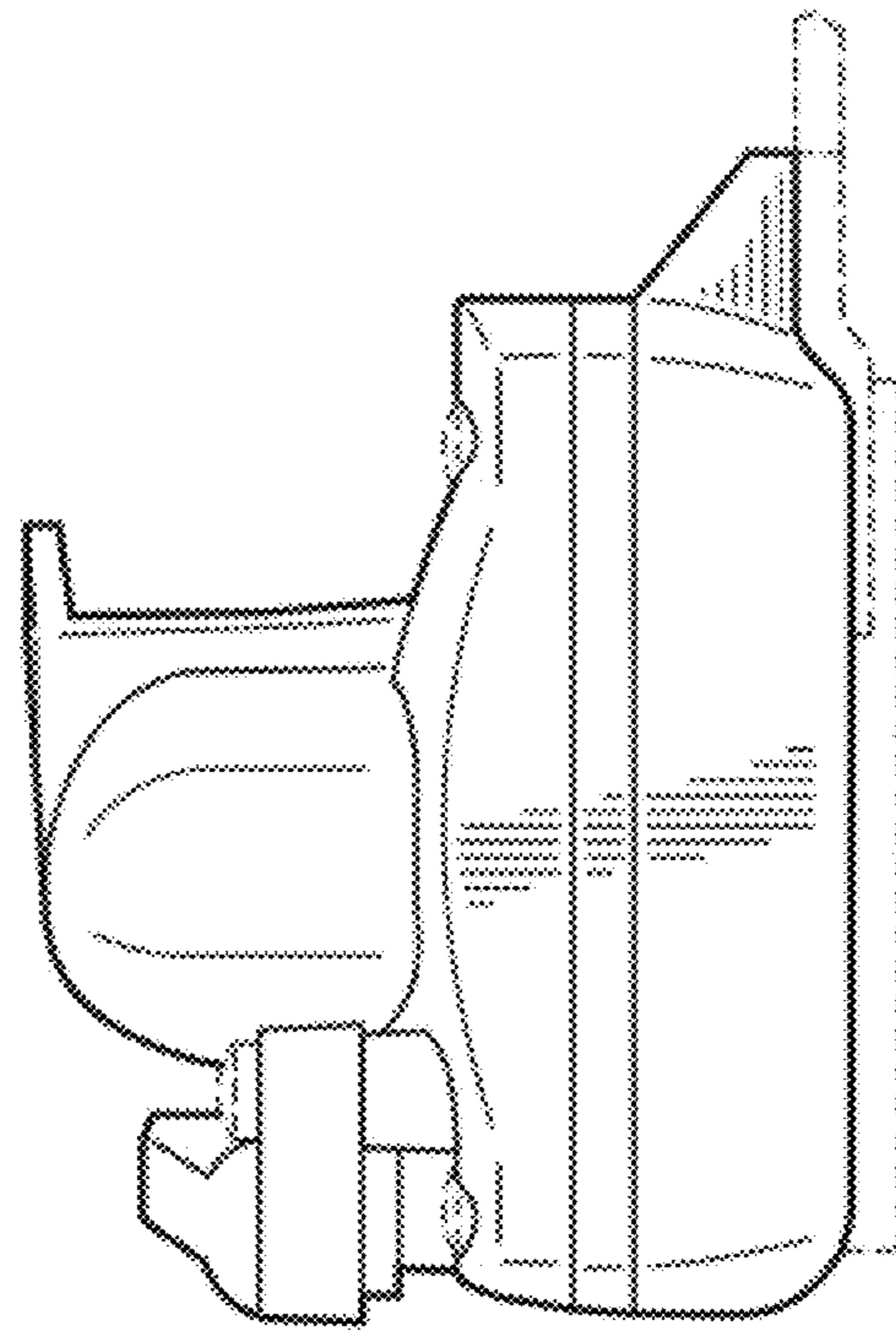


Fig. 5

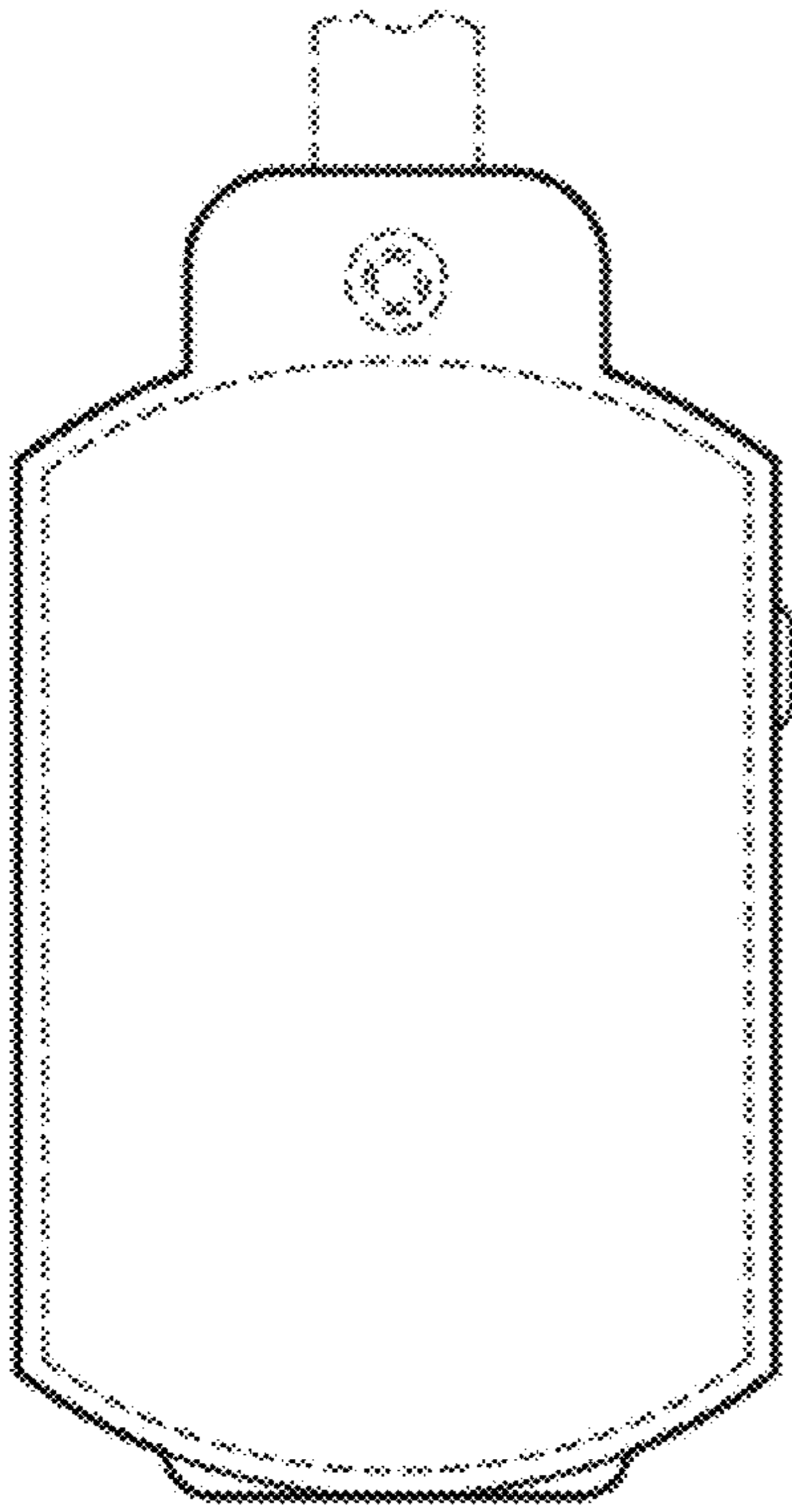


Fig. 6

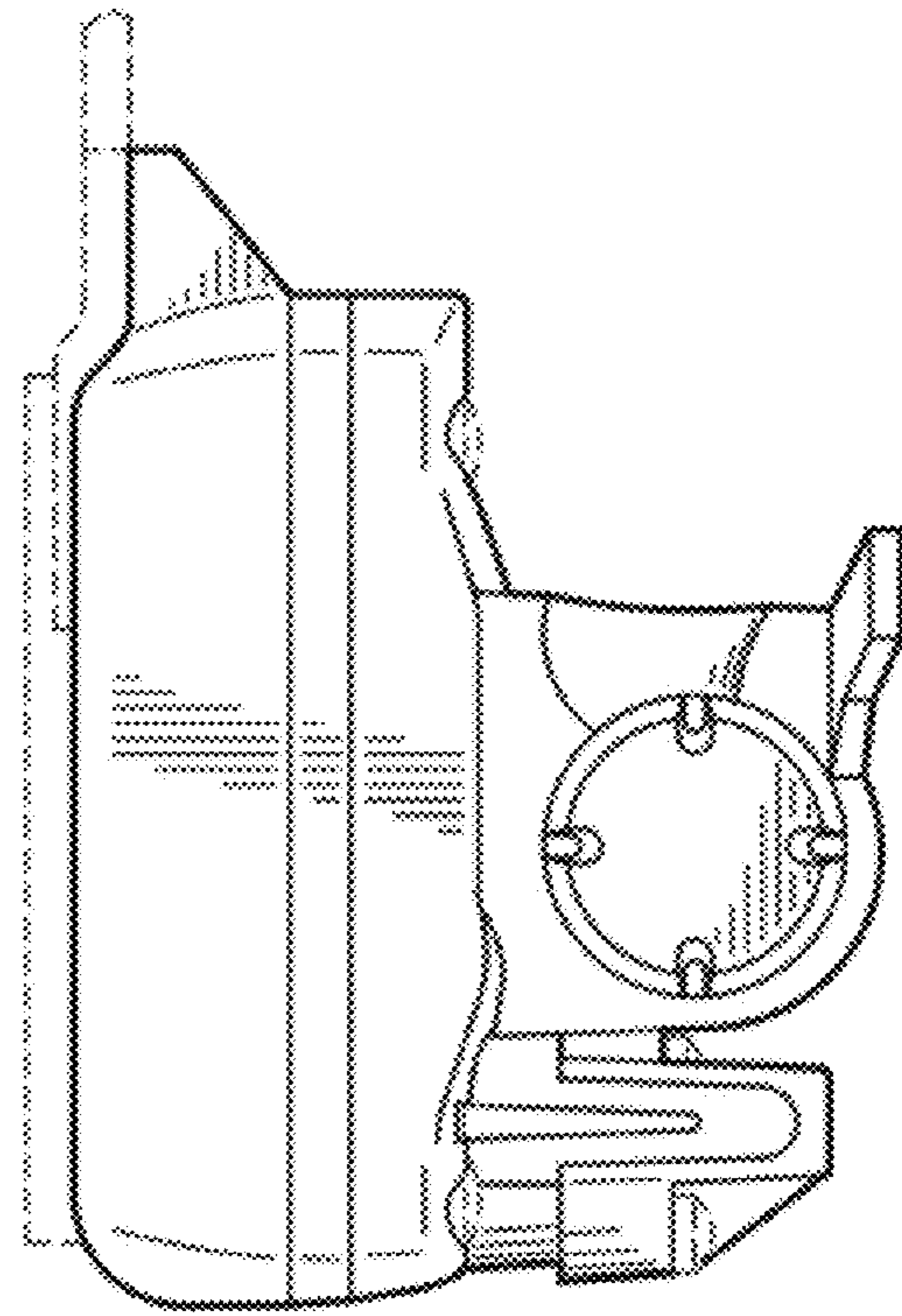


Fig. 7

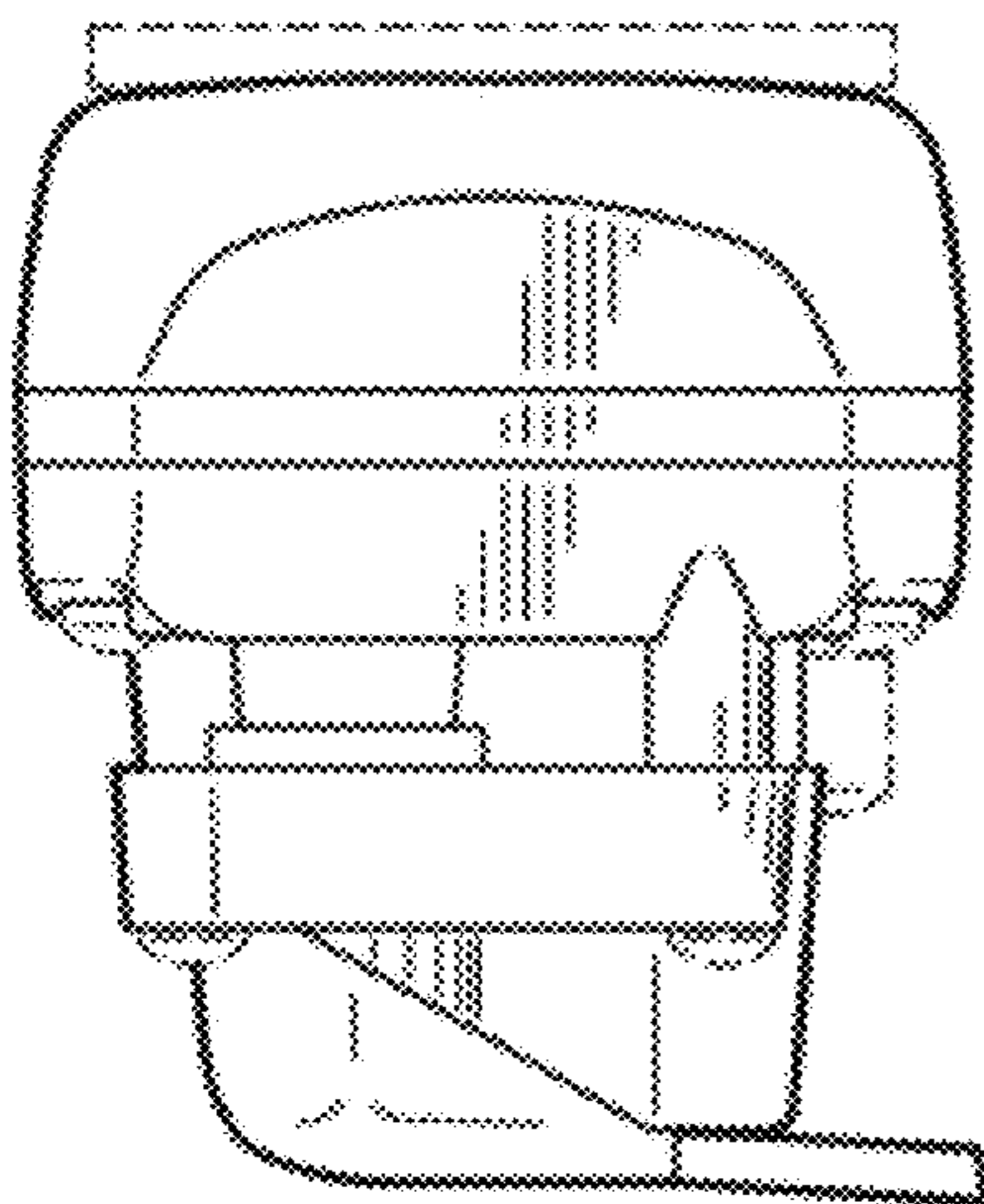


Fig. 8