



US00D676026S

(12) **United States Design Patent**
Lee et al.

(10) **Patent No.:** **US D676,026 S**
(45) **Date of Patent:** **** Feb. 12, 2013**

(54) **PAIR OF HEADPHONES**

(75) Inventors: **Noel Lee**, Las Vegas, NV (US);
Kendrew Lee, Tsing Yi (HK); **Minki Bang**, Daly City, CA (US)

(73) Assignee: **Monster, LLC**, Las Vegas, NV (US)

(**) Term: **14 Years**

(21) Appl. No.: **29/408,082**

(22) Filed: **Dec. 6, 2011**

(51) **LOC (9) Cl.** **14-01**

(52) **U.S. Cl.** **D14/223**

(58) **Field of Classification Search** D14/205,
D14/206, 223; 181/129, 130, 135; 379/430,
379/431; 381/380, 381, 370, 420, 421; 455/90.1,
455/575.1

See application file for complete search history.

(56) **References Cited**

U.S. PATENT DOCUMENTS

2,430,229	A *	11/1947	Kelsey	381/338
D206,665	S *	1/1967	Sanzone	D24/174
3,965,544	A *	6/1976	Boden	24/136 R
4,691,383	A *	9/1987	DeMars	455/351
5,410,608	A *	4/1995	Lucey et al.	381/360
D505,411	S *	5/2005	Sakai	D14/192
D519,101	S *	4/2006	Alwicker et al.	D14/188
D550,657	S *	9/2007	Gan et al.	D14/223
D559,837	S *	1/2008	Nakano	D14/223
D574,814	S *	8/2008	Hammond	D14/223
D582,897	S *	12/2008	Christopher et al.	D14/223
D584,283	S *	1/2009	Soetejo et al.	D14/205
D594,441	S	6/2009	Lee et al.		
D594,443	S *	6/2009	Lee et al.	D14/223
D598,901	S	8/2009	Lee et al.		
D599,781	S	9/2009	Lee et al.		
D600,675	S	9/2009	Lee et al.		
D604,722	S *	11/2009	Mistry	D14/223

D626,117	S *	10/2010	Lowry	D14/223
D637,182	S	5/2011	Lee et al.		
D637,998	S *	5/2011	Brunner et al.	D14/205
D637,999	S *	5/2011	Brunner et al.	D14/205
D641,008	S	7/2011	Lee et al.		
D642,163	S	7/2011	Lee et al.		
D643,414	S *	8/2011	Lee et al.	D14/223
D643,417	S	8/2011	Lee et al.		
D643,418	S	8/2011	Lee et al.		
D643,833	S	8/2011	Lee et al.		
D652,822	S *	1/2012	Lee et al.	D14/223
D658,157	S *	4/2012	McManigal	D14/205
D660,292	S *	5/2012	Rautiainen	D14/223
D660,826	S *	5/2012	Brunner et al.	D14/223

* cited by examiner

Primary Examiner — Paula Greene

(74) *Attorney, Agent, or Firm* — LaRiviere, Grubman & Payne, LLP

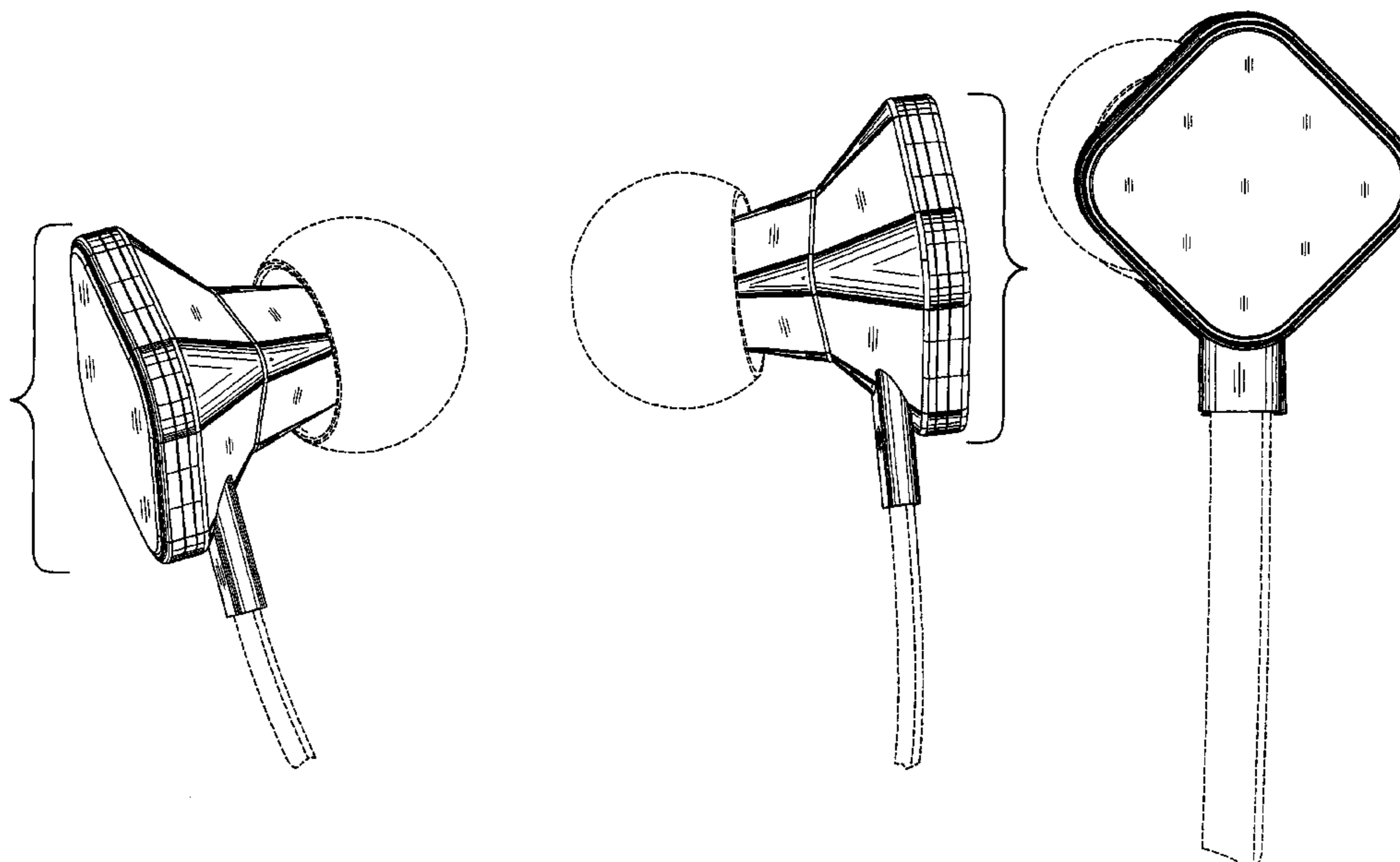
(57) **CLAIM**

The ornamental design for a pair of headphones, as shown and described.

DESCRIPTION

FIG. 1 is a perspective view of a pair of headphones, showing our design;
 FIG. 1A is an opposing perspective view thereof;
 FIG. 2 is front view thereof;
 FIG. 3 is a rear view thereof;
 FIG. 4 is a side view thereof;
 FIG. 5 is an opposing side view thereof;
 FIG. 6 is a top view thereof;
 FIG. 7 is a bottom view thereof; and,
 FIG. 8 is a side view of a pair of headphones in a nesting position, showing our design.
 The broken lines showing the environment are for illustrative purposes only and form no part of the claimed design.

1 Claim, 7 Drawing Sheets



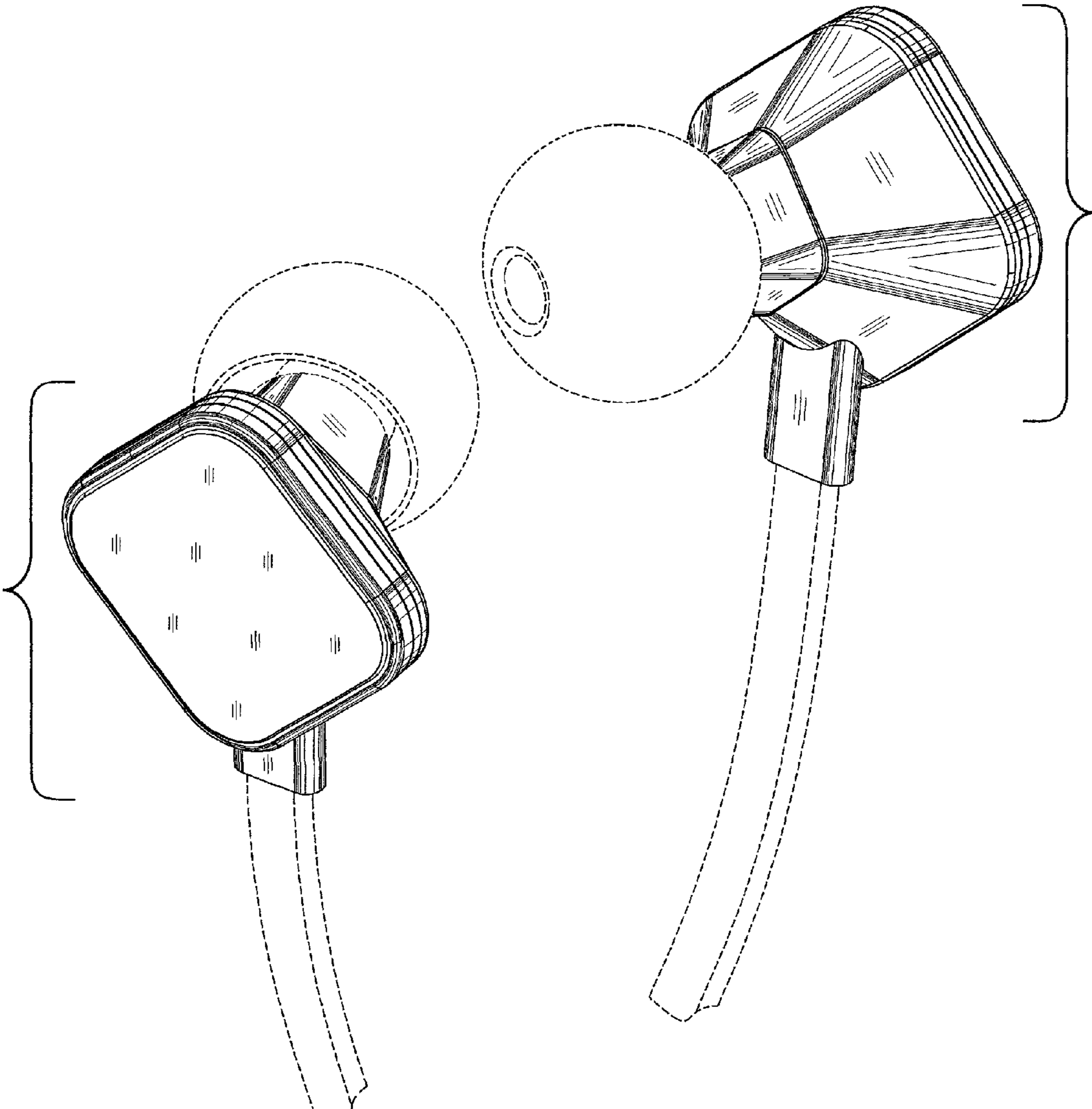


Figure 1

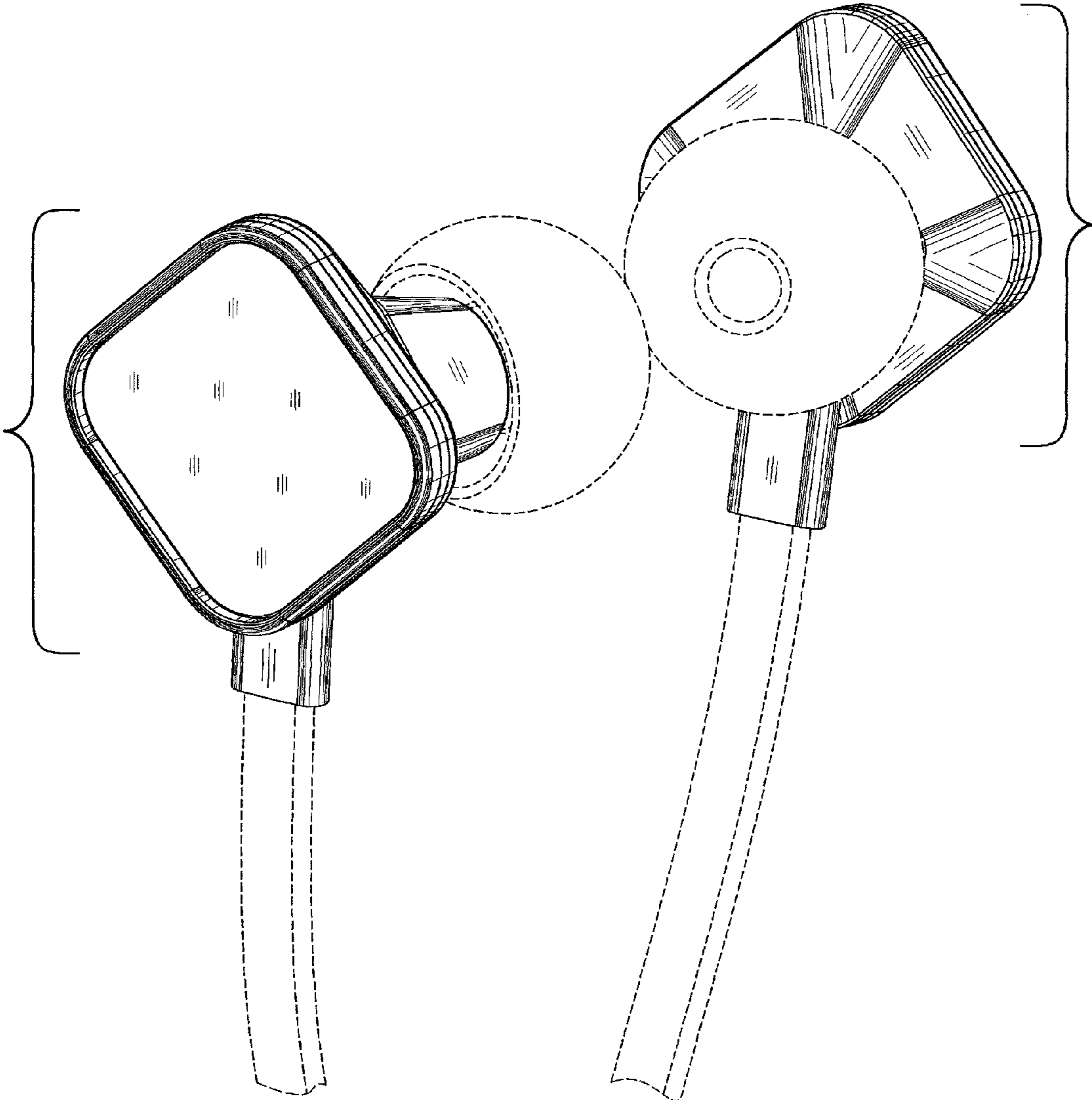


Figure 1A

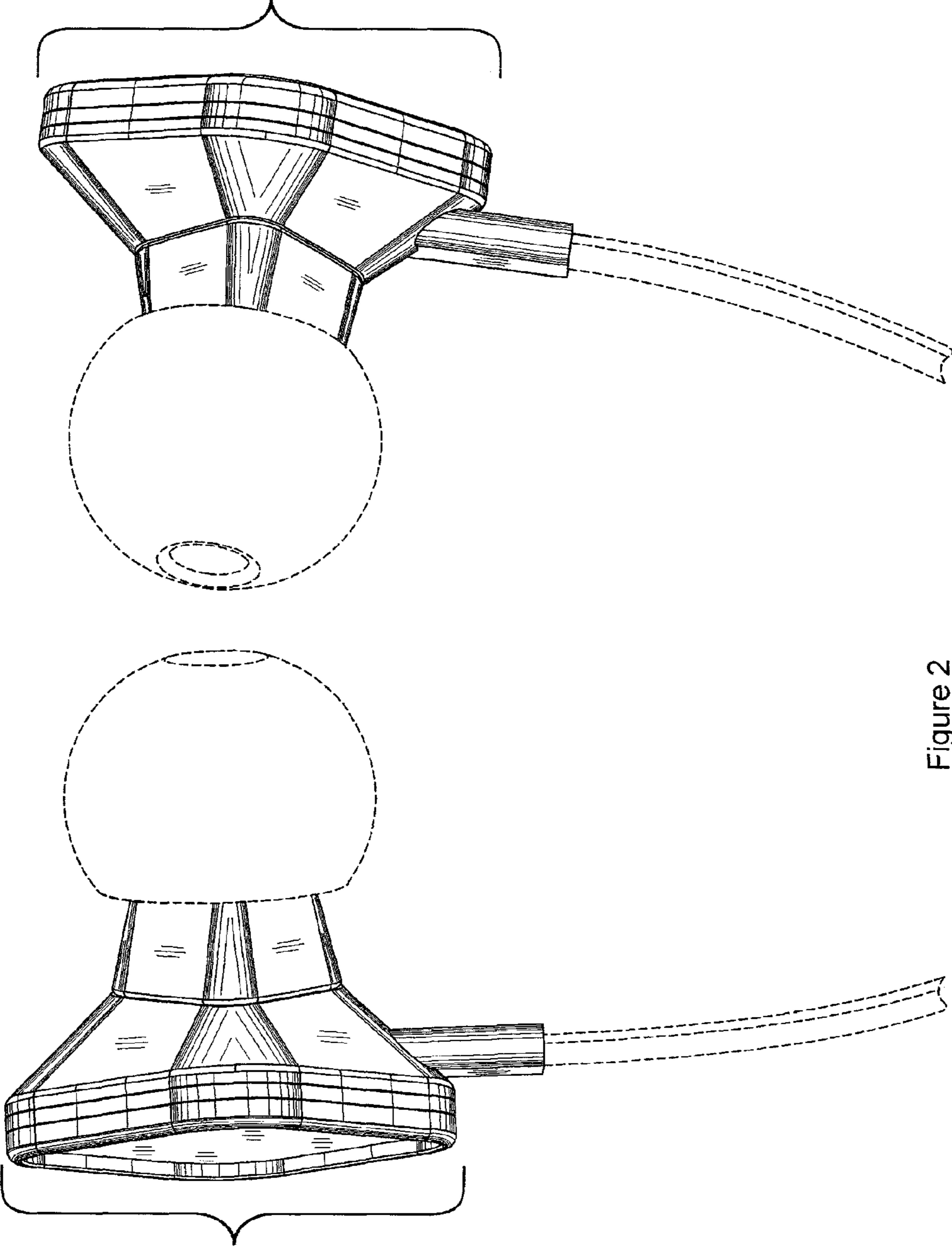


Figure 2

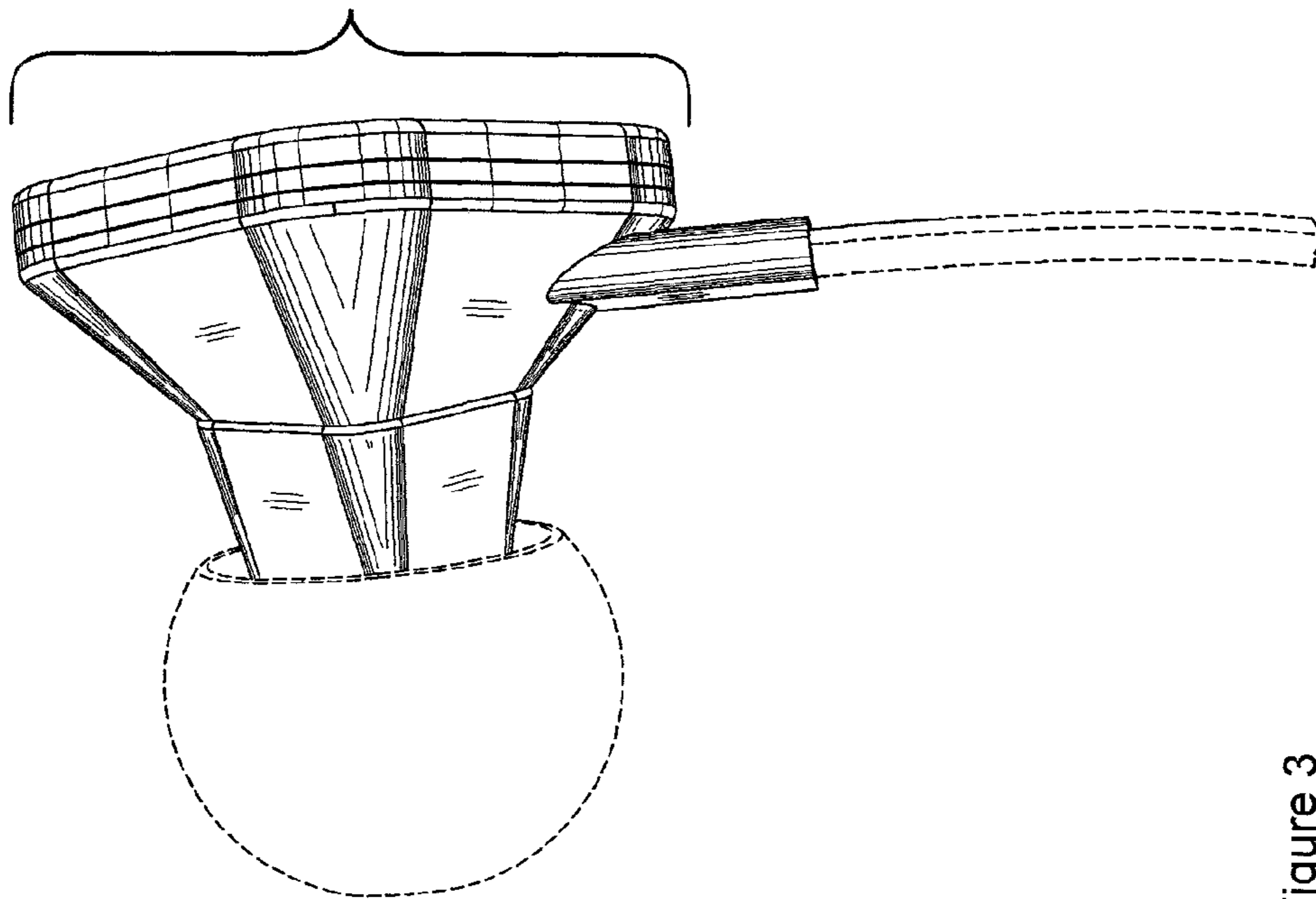
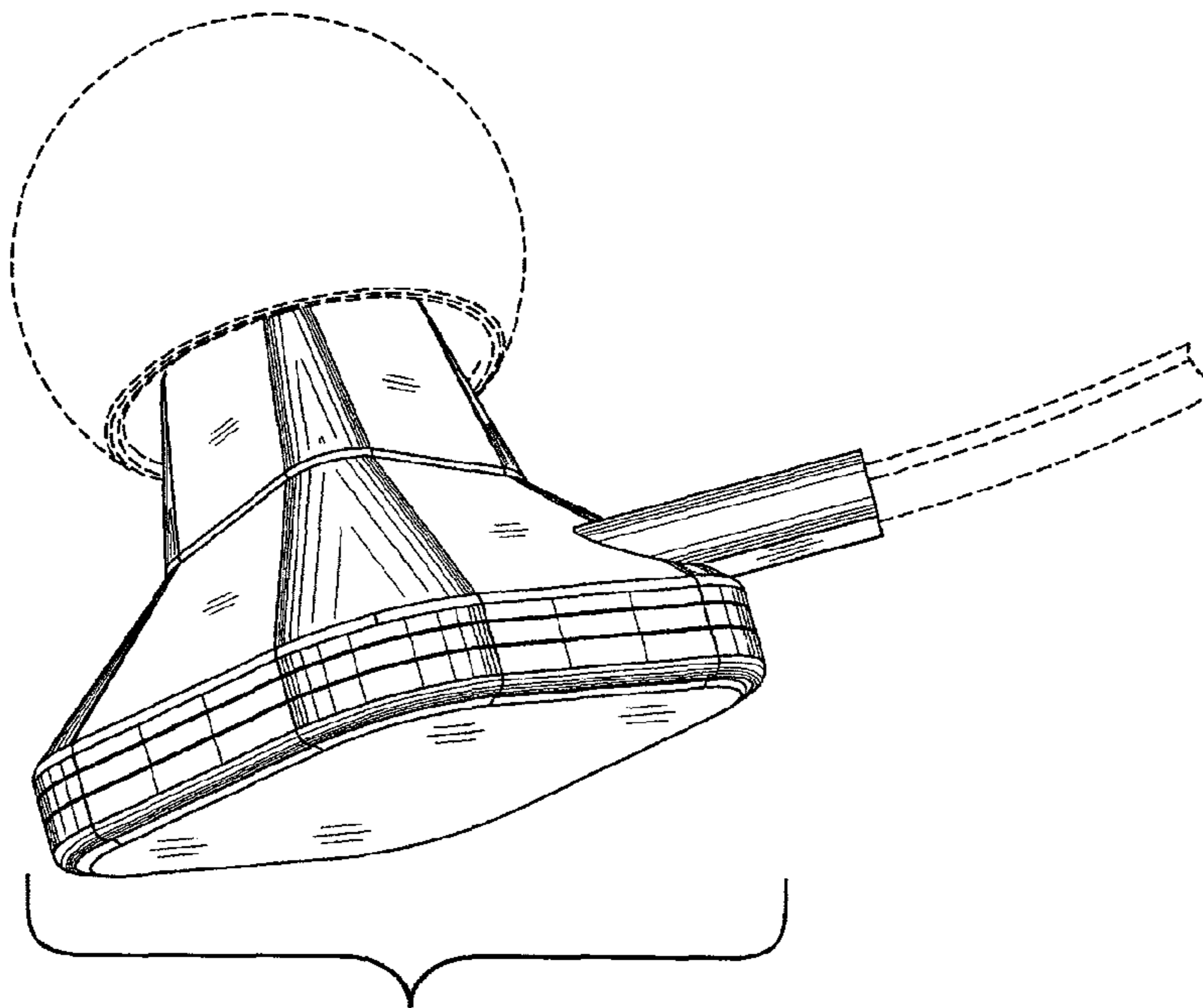


Figure 3



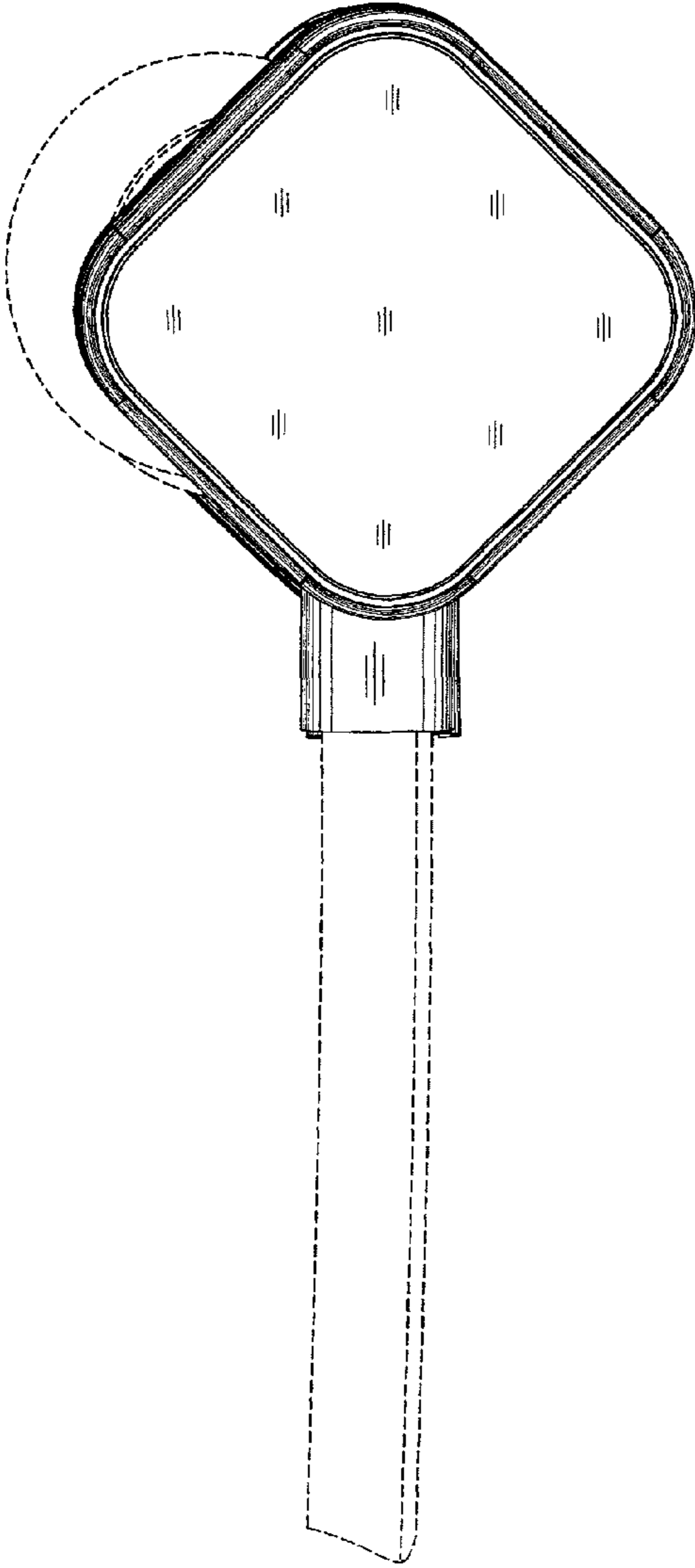


Figure 4

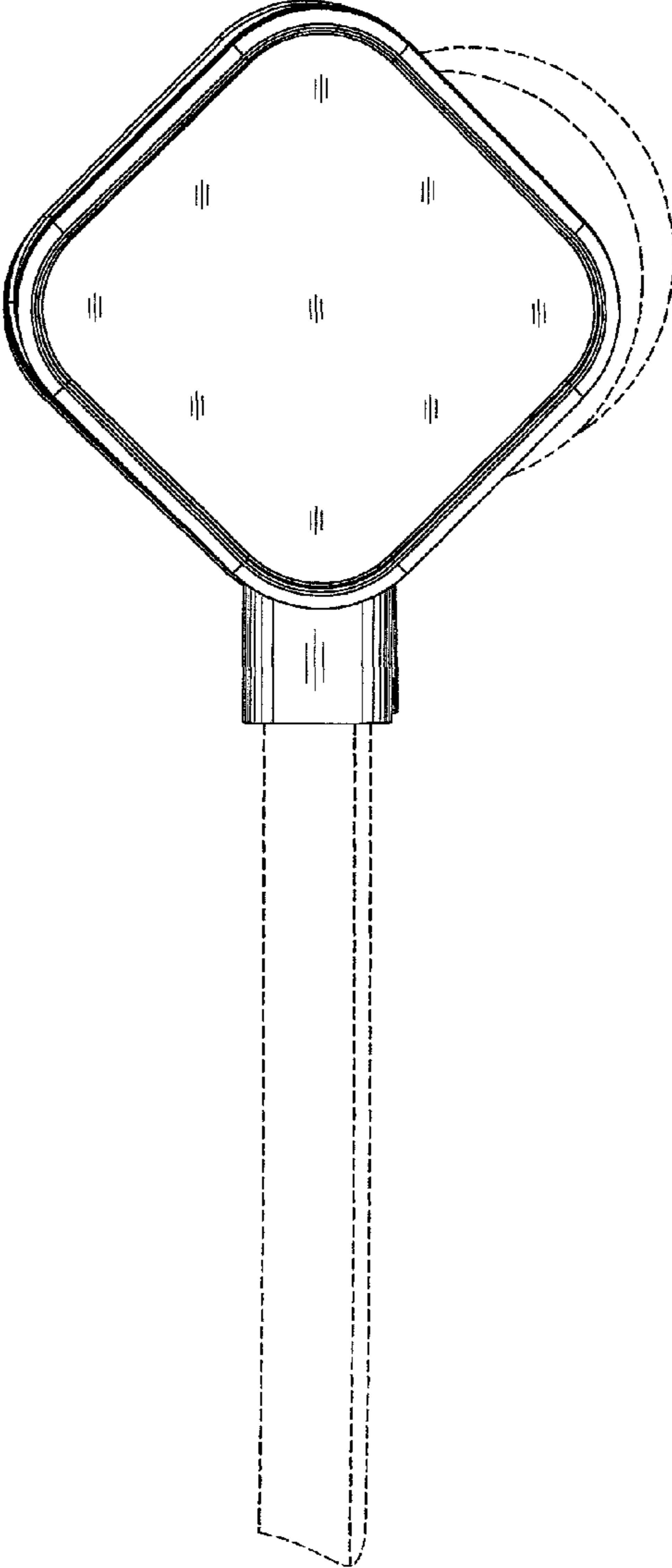


Figure 5

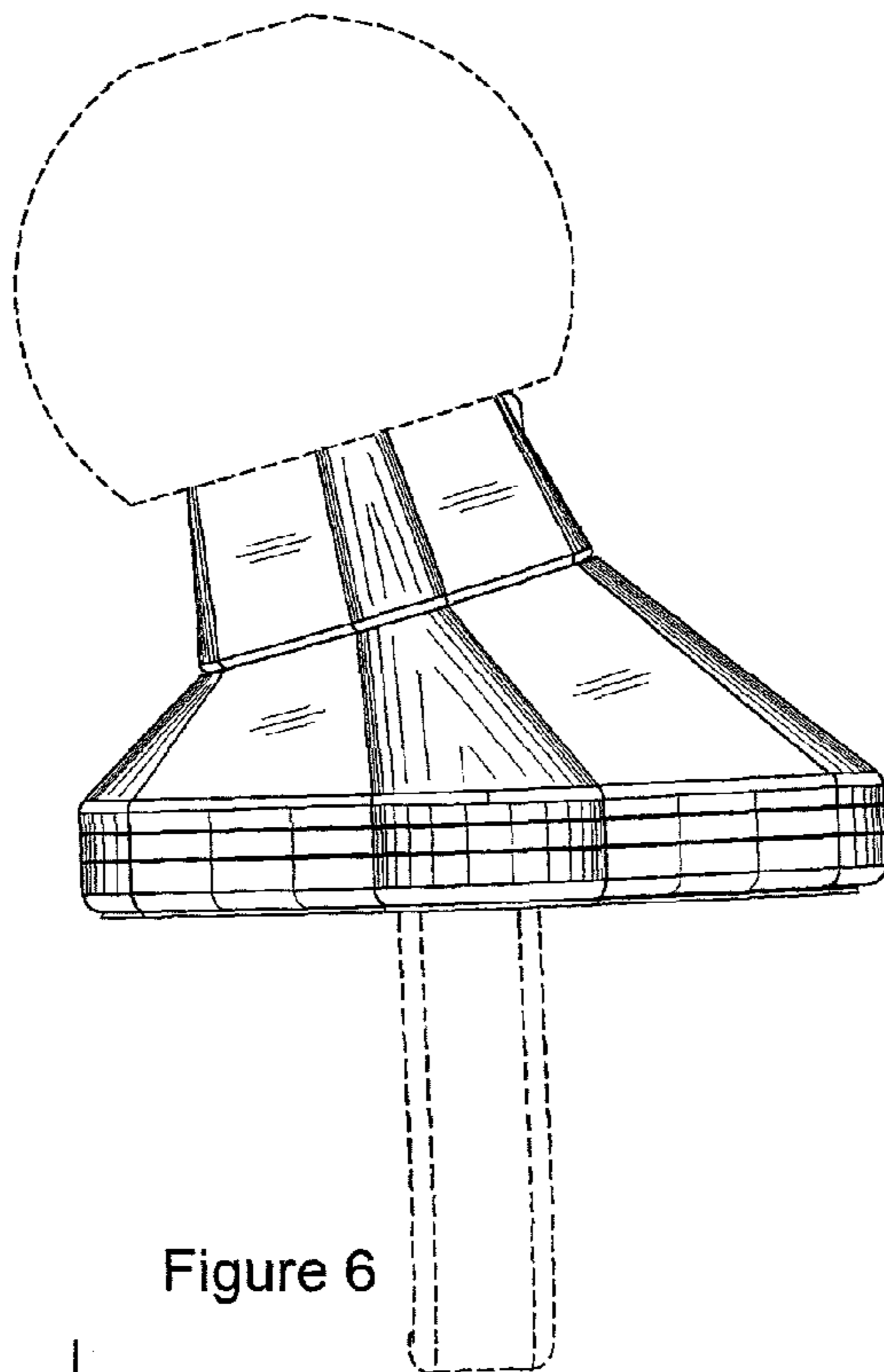
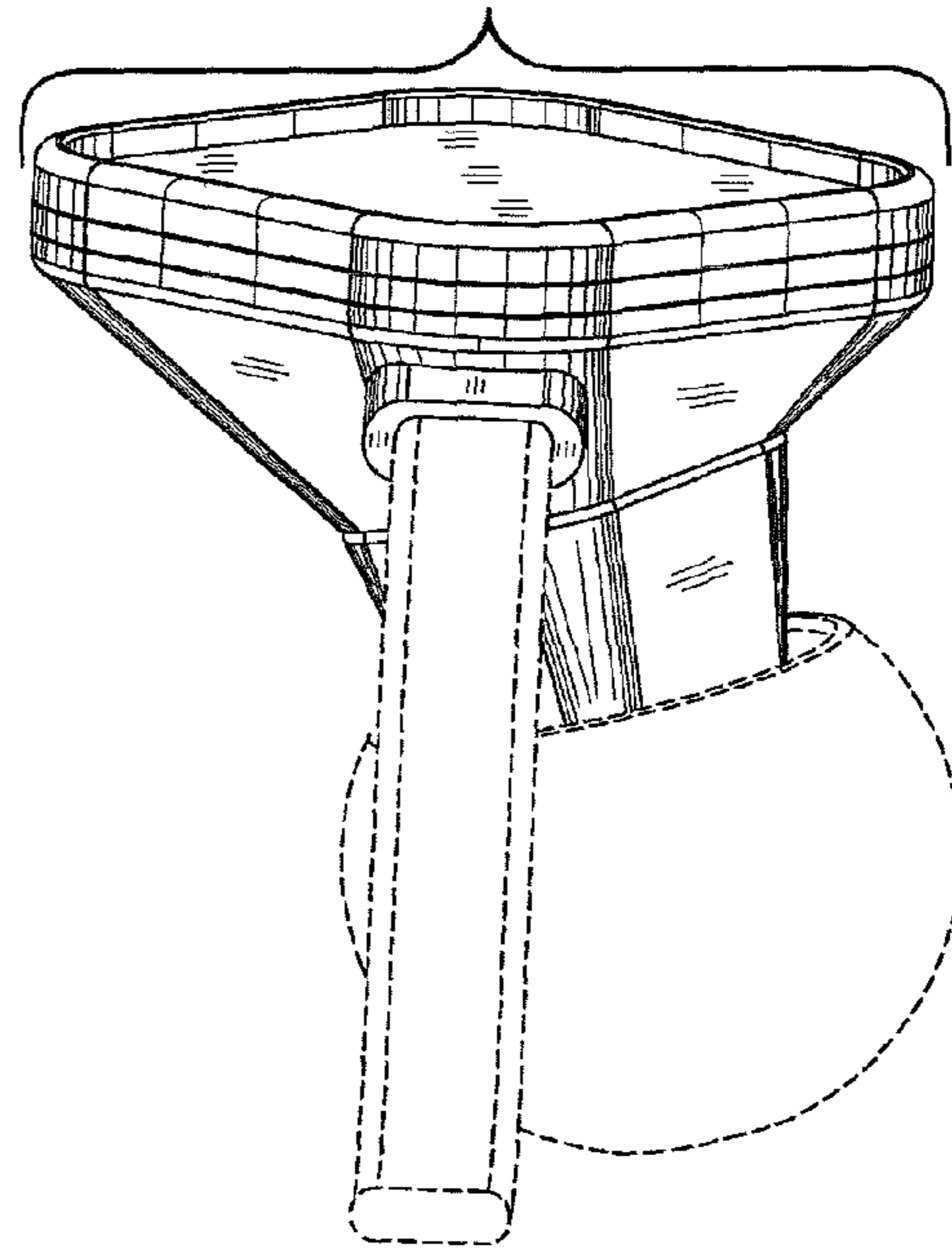
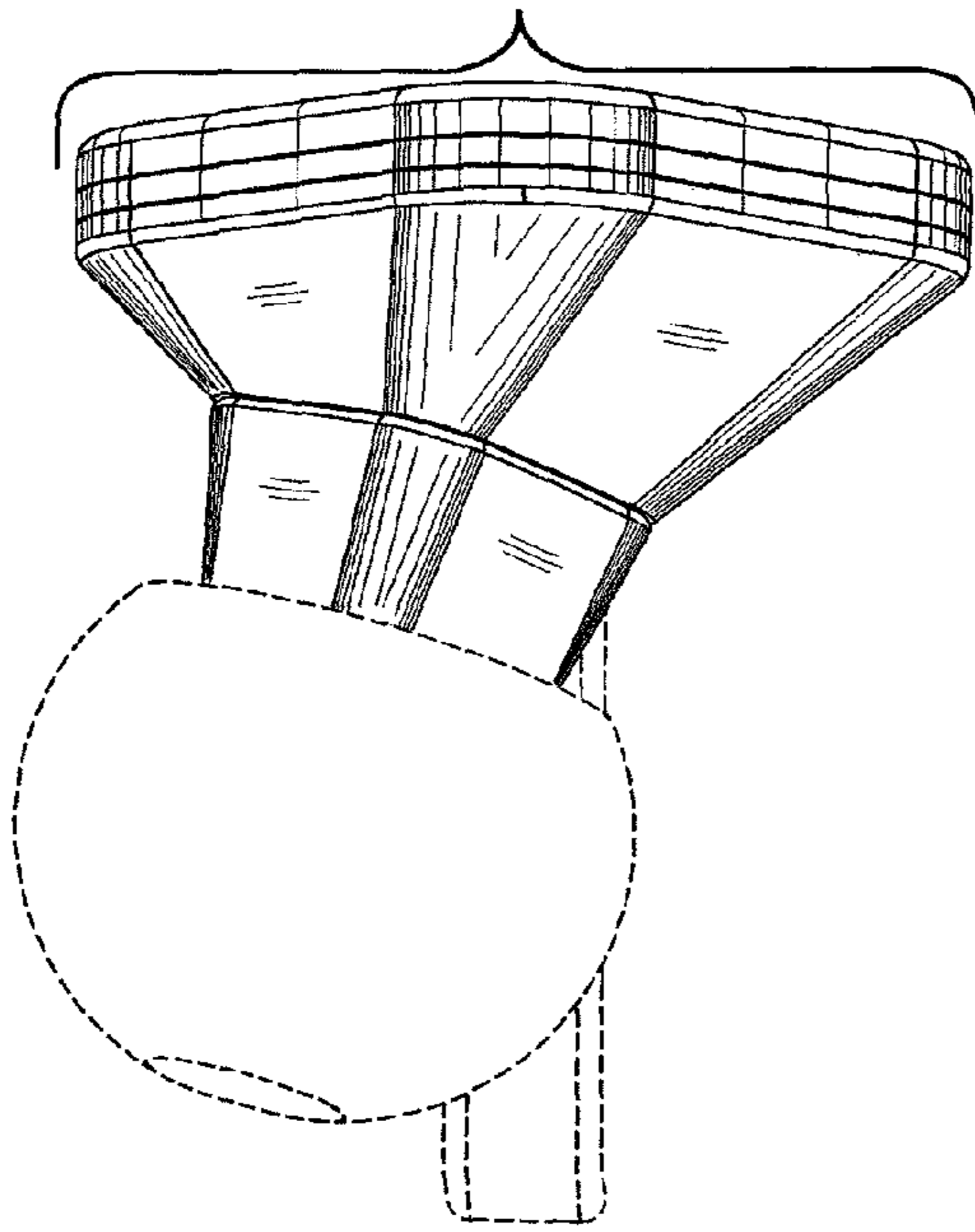


Figure 6

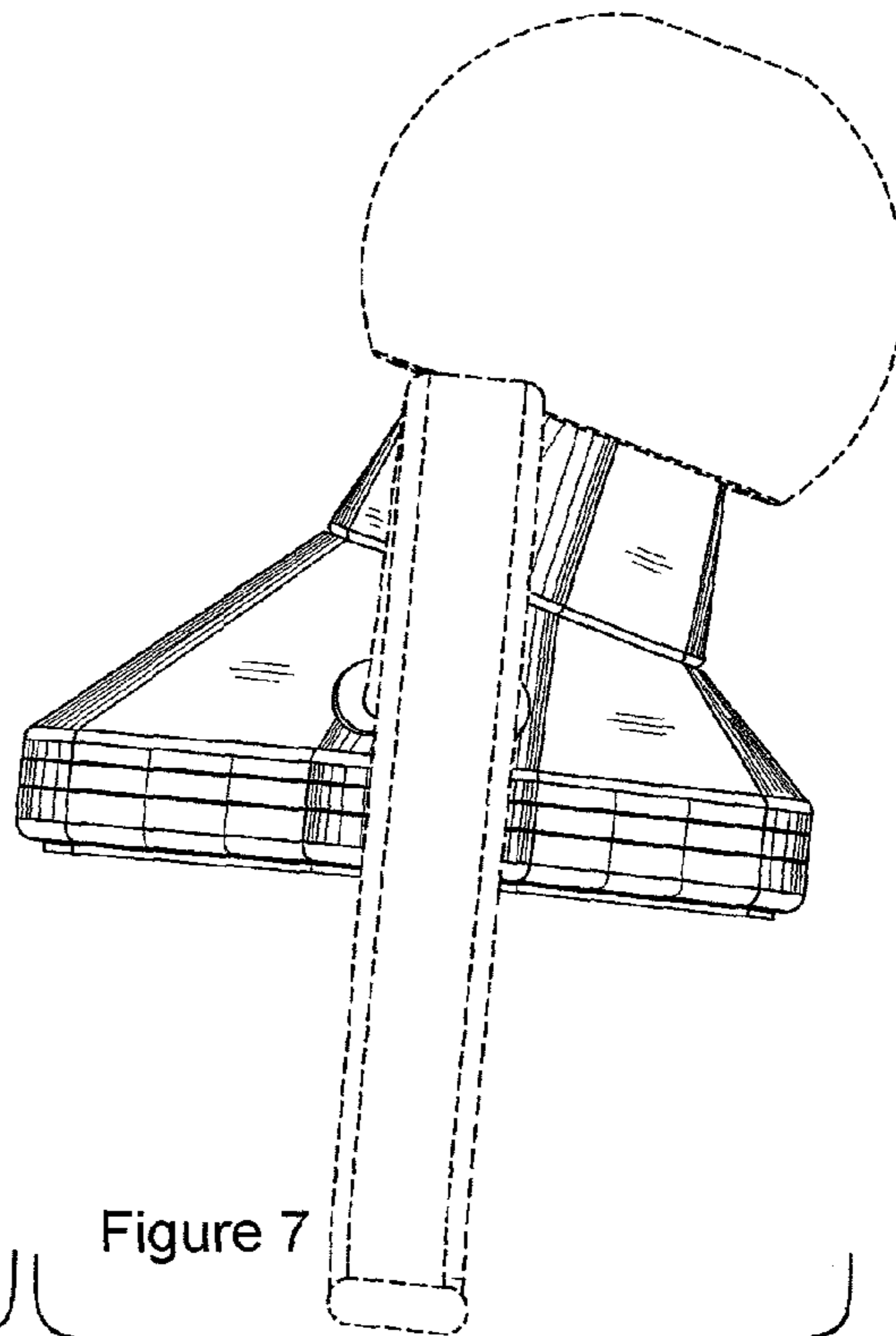


Figure 7

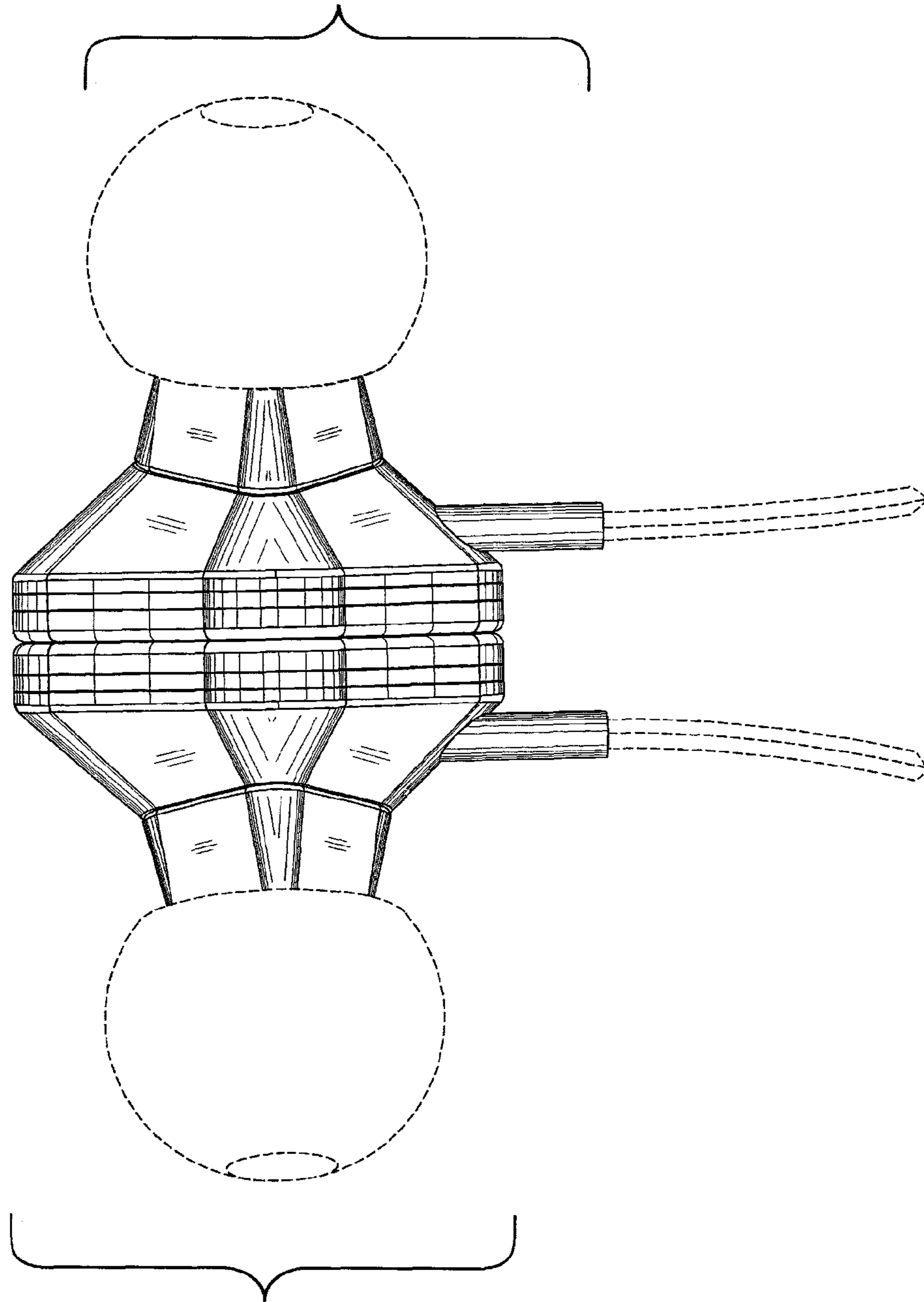


Figure 8