



US00D676025S

(12) **United States Design Patent**  
**Davies et al.**

(10) **Patent No.:** **US D676,025 S**  
(45) **Date of Patent:** **\*\* Feb. 12, 2013**

(54) **LOUDSPEAKER**

(75) Inventors: **Simon Davies**, Hong Kong (HK);  
**Patrick Ho**, Hong Kong (HK); **Yang Jack Chang**, New Territories (HK);  
**Graham Allen**, Kent (GB)

(73) Assignee: **GP Acoustics International Limited**,  
New Territories (HK)

(\*\*) Term: **14 Years**

(21) Appl. No.: **29/400,332**

(22) Filed: **Aug. 26, 2011**

(30) **Foreign Application Priority Data**

Aug. 12, 2011 (HK) ..... 1101376.0M002  
Aug. 12, 2011 (HK) ..... 1101376.0M005  
Aug. 12, 2011 (HK) ..... 1101376.0M006  
Aug. 12, 2011 (HK) ..... 1101376.0M007  
Aug. 12, 2011 (HK) ..... 1101376.0M009

(51) **LOC (9) Cl.** ..... **14-01**

(52) **U.S. Cl.** ..... **D14/215; D14/204; D14/210**

(58) **Field of Classification Search** ..... D14/204,  
D14/218, 172, 210–216; 181/143, 147, 148,  
181/150, 153, 157, 198, 199, 166, 144;  
381/300–303, 306, 332, 333, 336, 345, 361–364,  
381/370, 386–388

See application file for complete search history.

(56) **References Cited**

**U.S. PATENT DOCUMENTS**

3,241,631 A \* 3/1966 Manieri ..... 181/147  
4,940,108 A \* 7/1990 Selby ..... 181/145  
5,546,468 A \* 8/1996 Beard ..... 381/86  
5,875,255 A \* 2/1999 Campbell ..... 381/345  
6,561,311 B2 \* 5/2003 Chuang ..... 181/199  
D486,475 S \* 2/2004 Allen ..... D14/215

D505,939 S \* 6/2005 Dayan ..... D14/215  
D507,790 S \* 7/2005 Dayan ..... D14/215  
D576,150 S \* 9/2008 Lim et al. .... D14/211  
D588,107 S \* 3/2009 Khoo et al. .... D14/215  
D590,812 S \* 4/2009 Muraoka et al. .... D14/215  
D624,047 S \* 9/2010 Kim ..... D14/215  
D645,450 S \* 9/2011 Chen ..... D14/215

\* cited by examiner

*Primary Examiner* — Prabhakar Deshmukh

(74) *Attorney, Agent, or Firm* — Pearne & Gordon LLP

(57) **CLAIM**

The ornamental design for a loudspeaker, as shown and described.

**DESCRIPTION**

FIG. 1 is a front view of a loudspeaker showing our new design;

FIG. 2 is a rear view thereof;

FIG. 3 is a left side view thereof;

FIG. 4 is a right side view thereof;

FIG. 5 is a top plan view thereof;

FIG. 6 is a bottom plan view thereof;

FIG. 7 is a front perspective view thereof;

FIG. 8 is a rear perspective view thereof;

FIG. 9 is a front view of a loudspeaker showing our new design;

FIG. 10 is a rear view thereof;

FIG. 11 is a left side view thereof;

FIG. 12 is a right side view thereof;

FIG. 13 is a top plan view thereof;

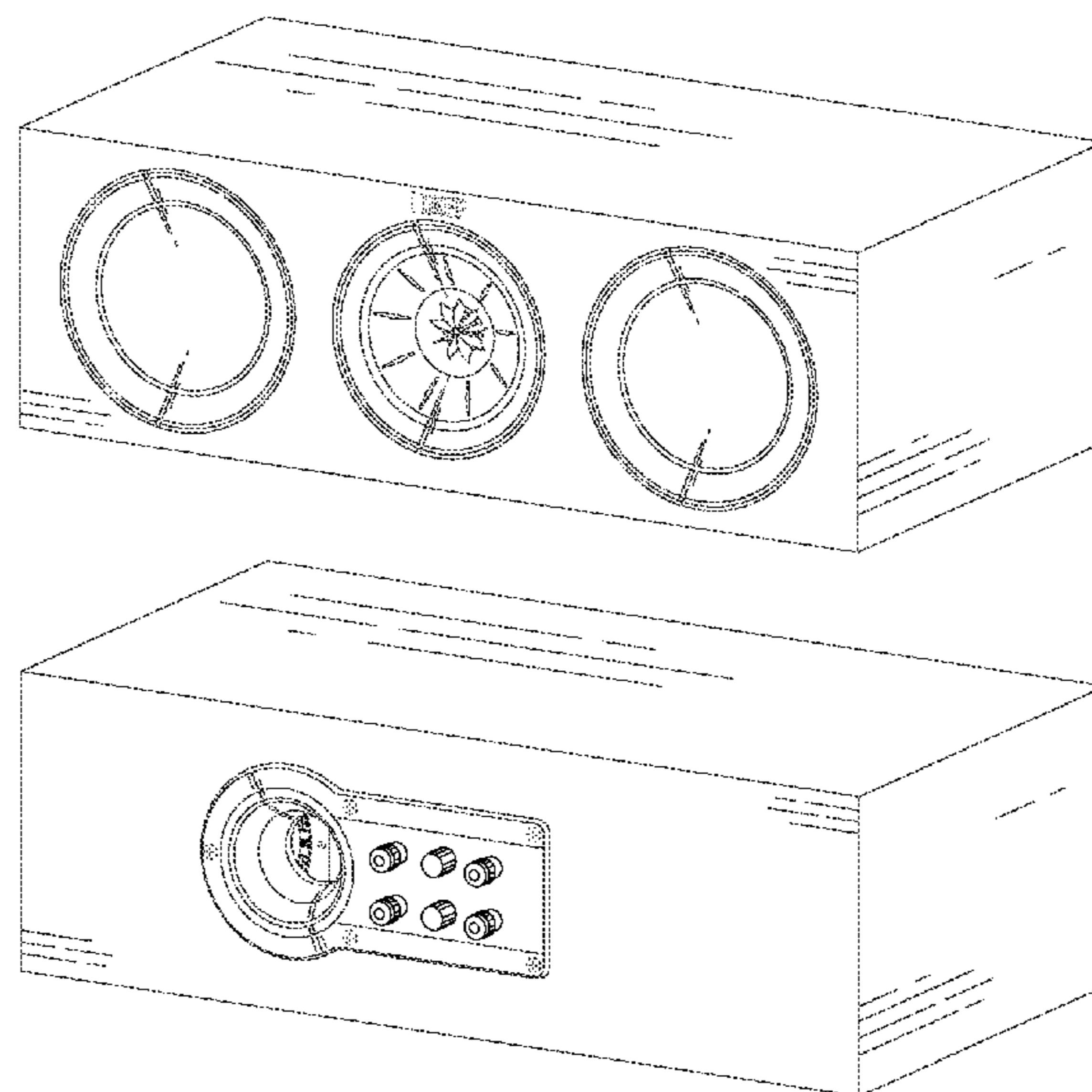
FIG. 14 is a bottom plan view thereof;

FIG. 15 is a front perspective view thereof; and,

FIG. 16 is a rear perspective view thereof.

The broken line showing on the drawing disclosure is for illustrative purposes only and forms no part of the claimed design.

**1 Claim, 16 Drawing Sheets**



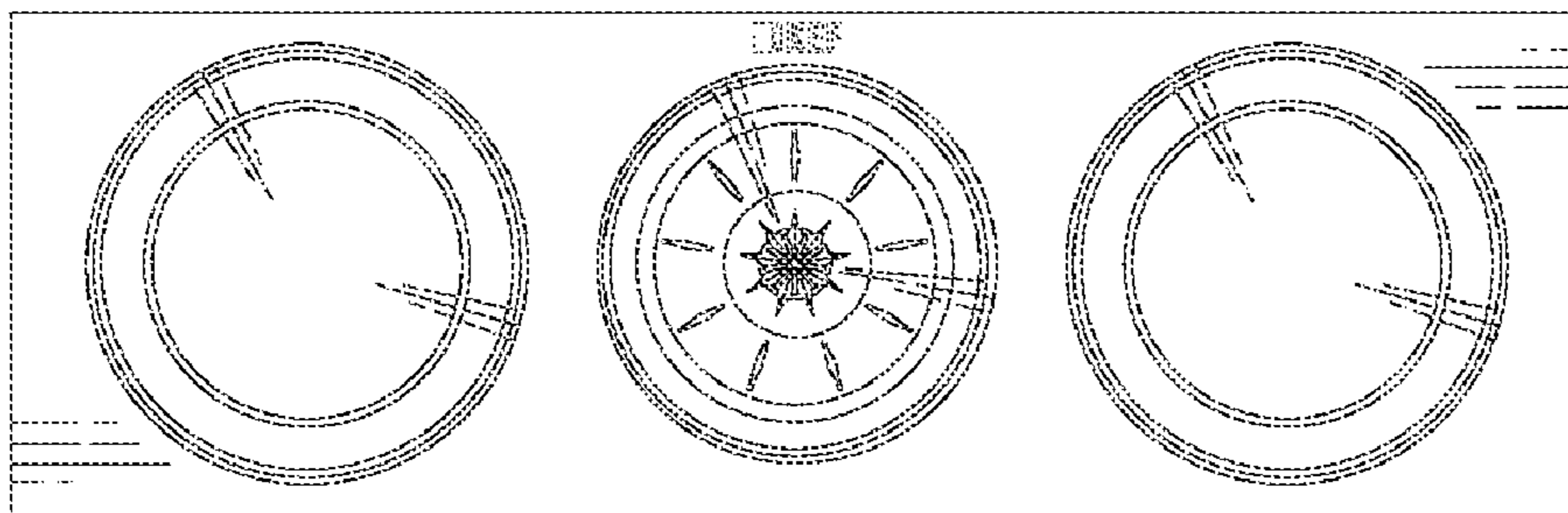


FIG. 1

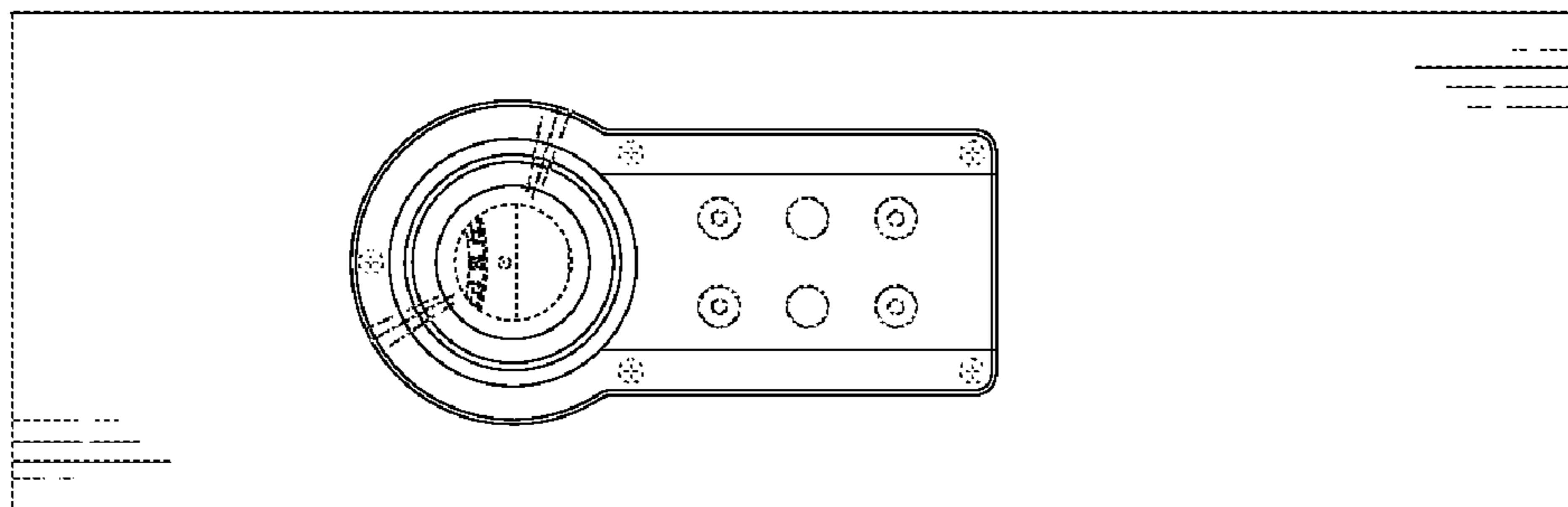
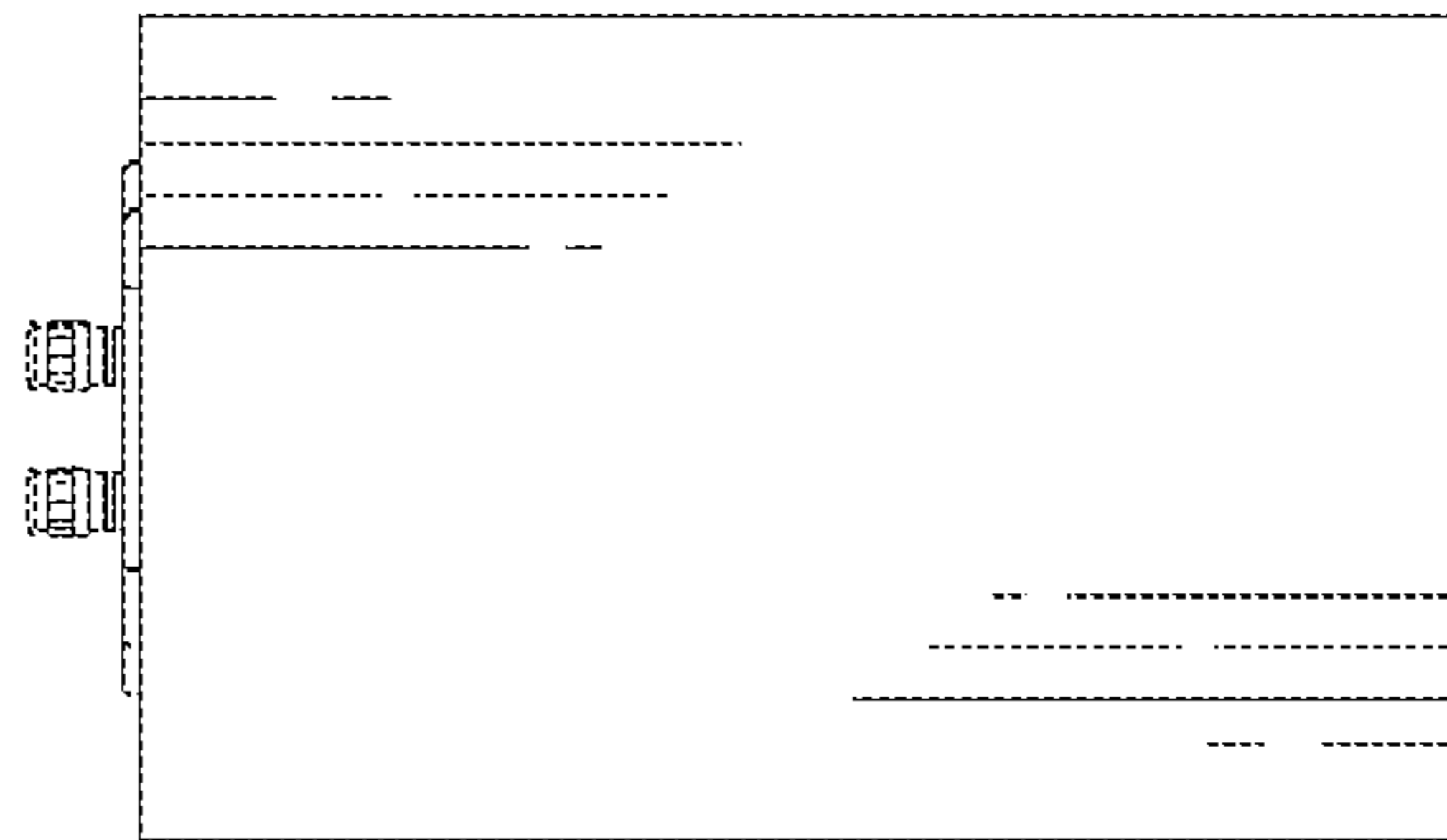


FIG. 2



**FIG. 3**

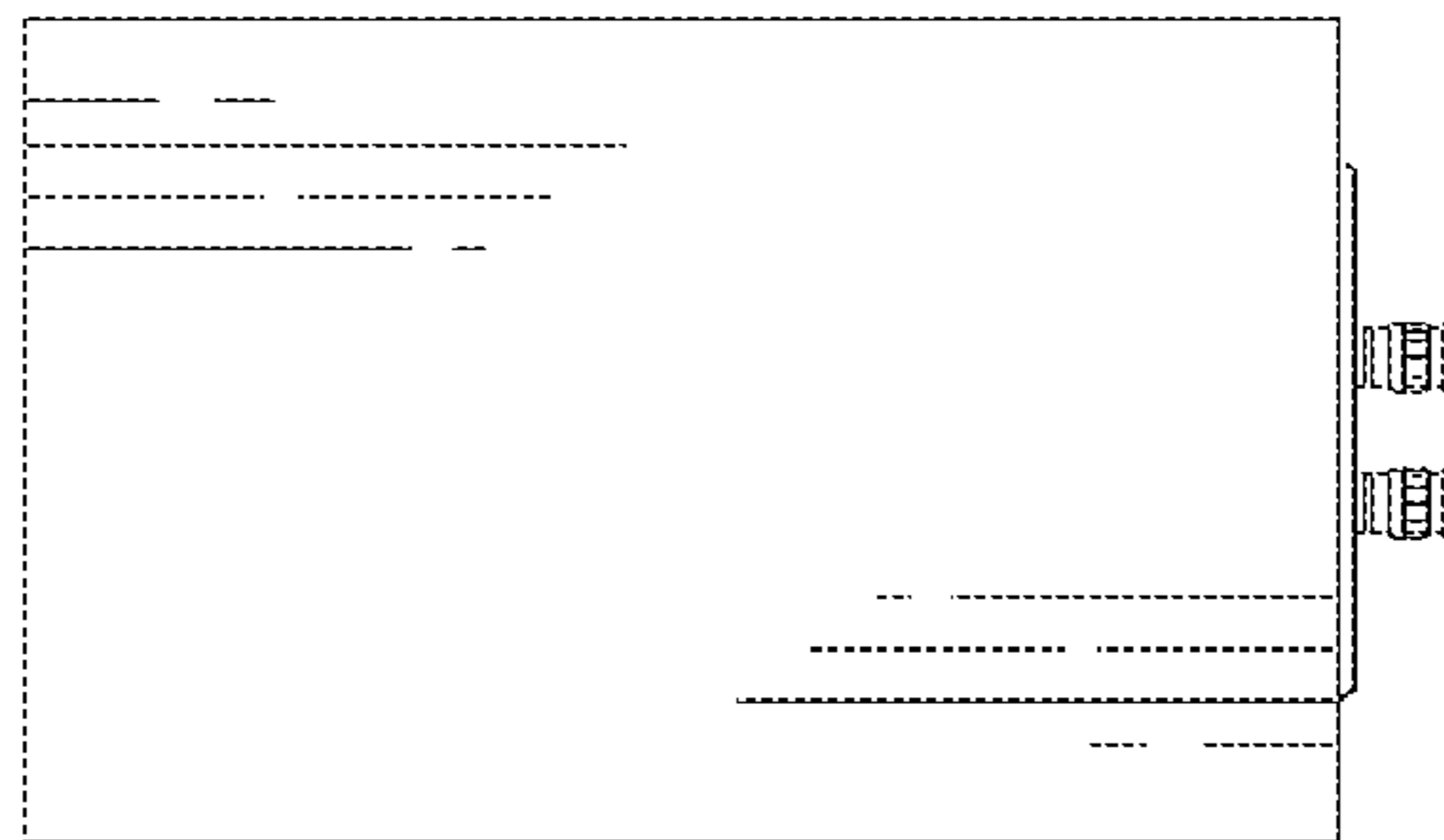


FIG. 4

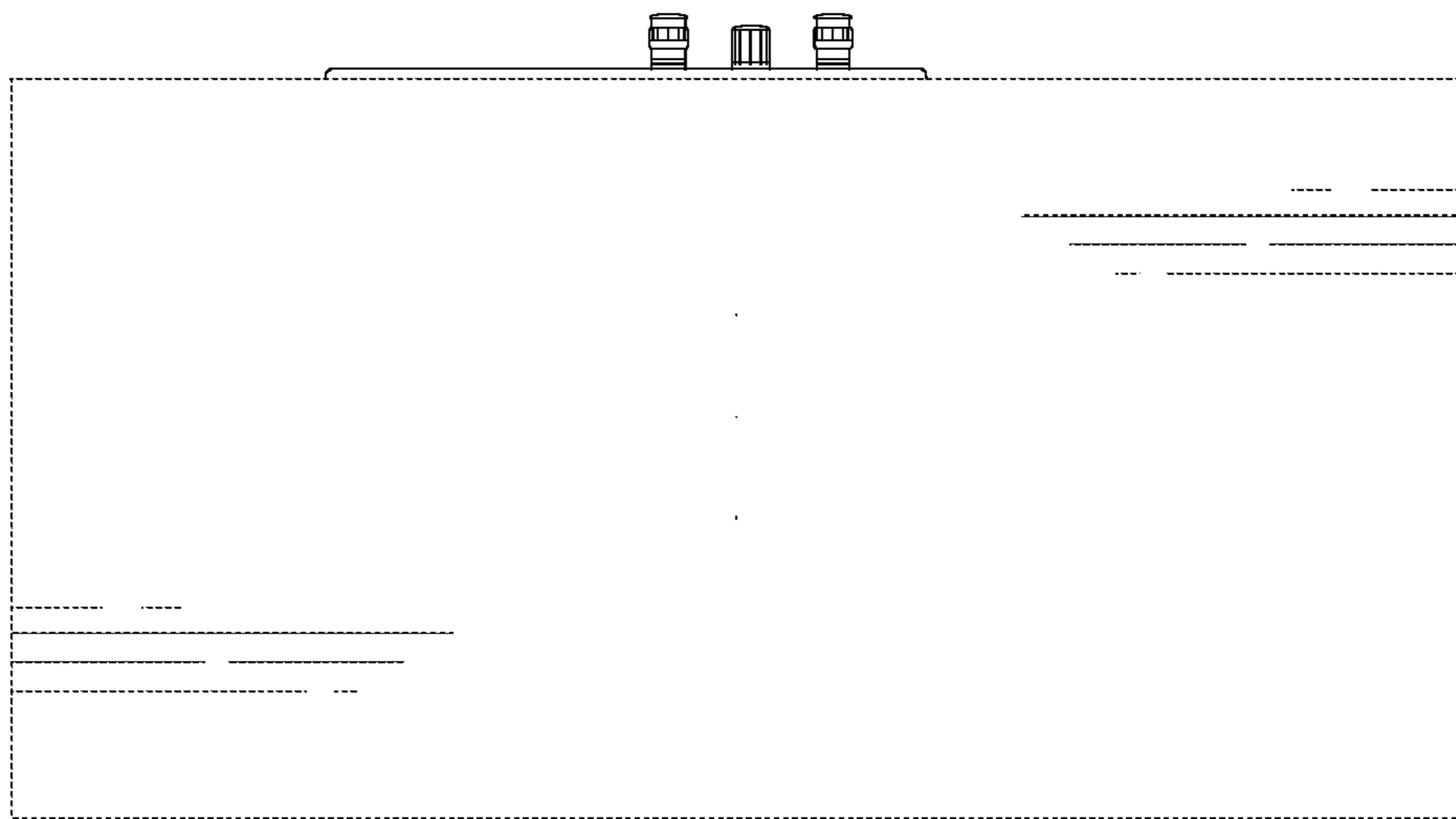
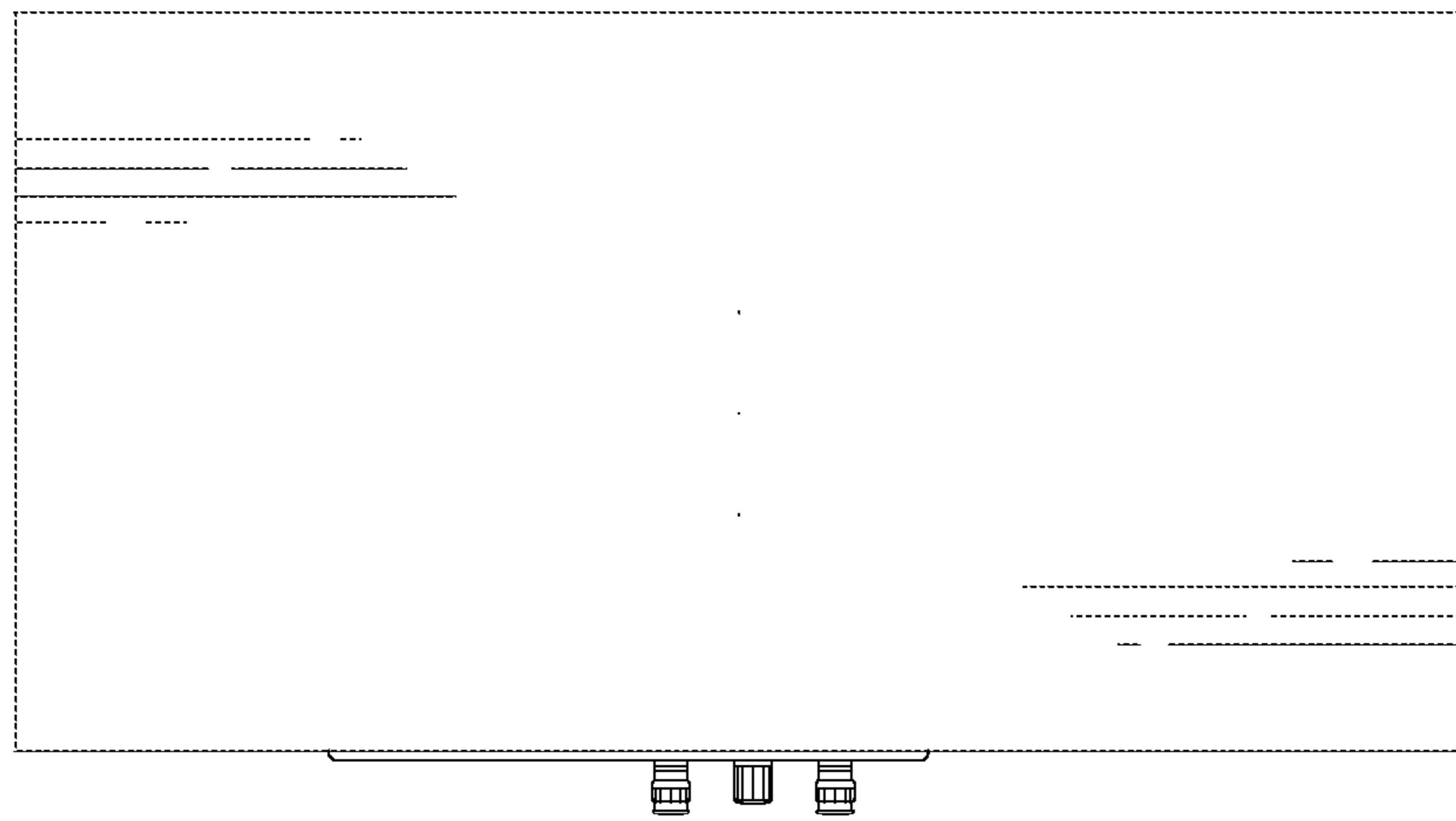


FIG. 5



**FIG. 6**

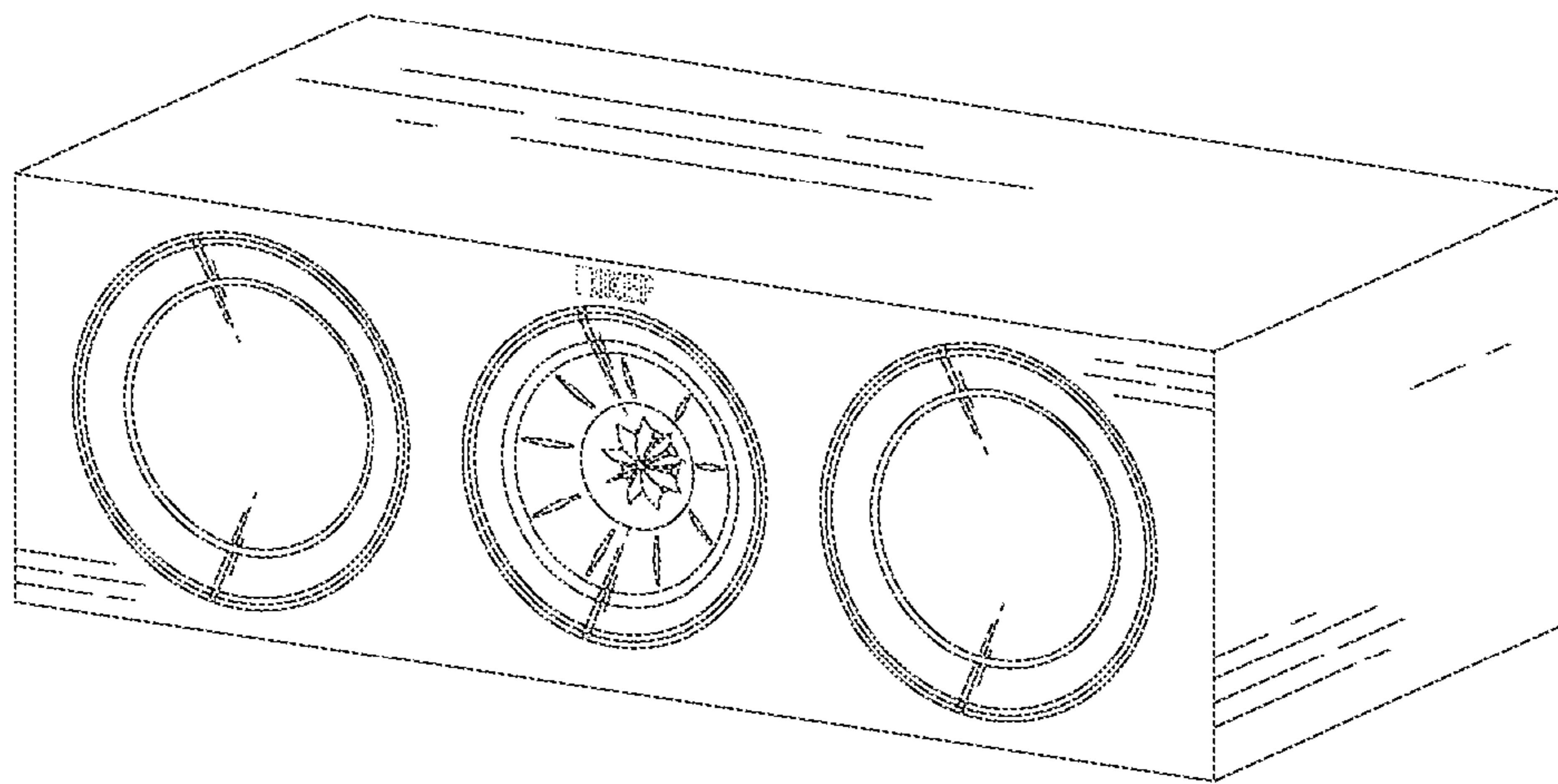


FIG. 7



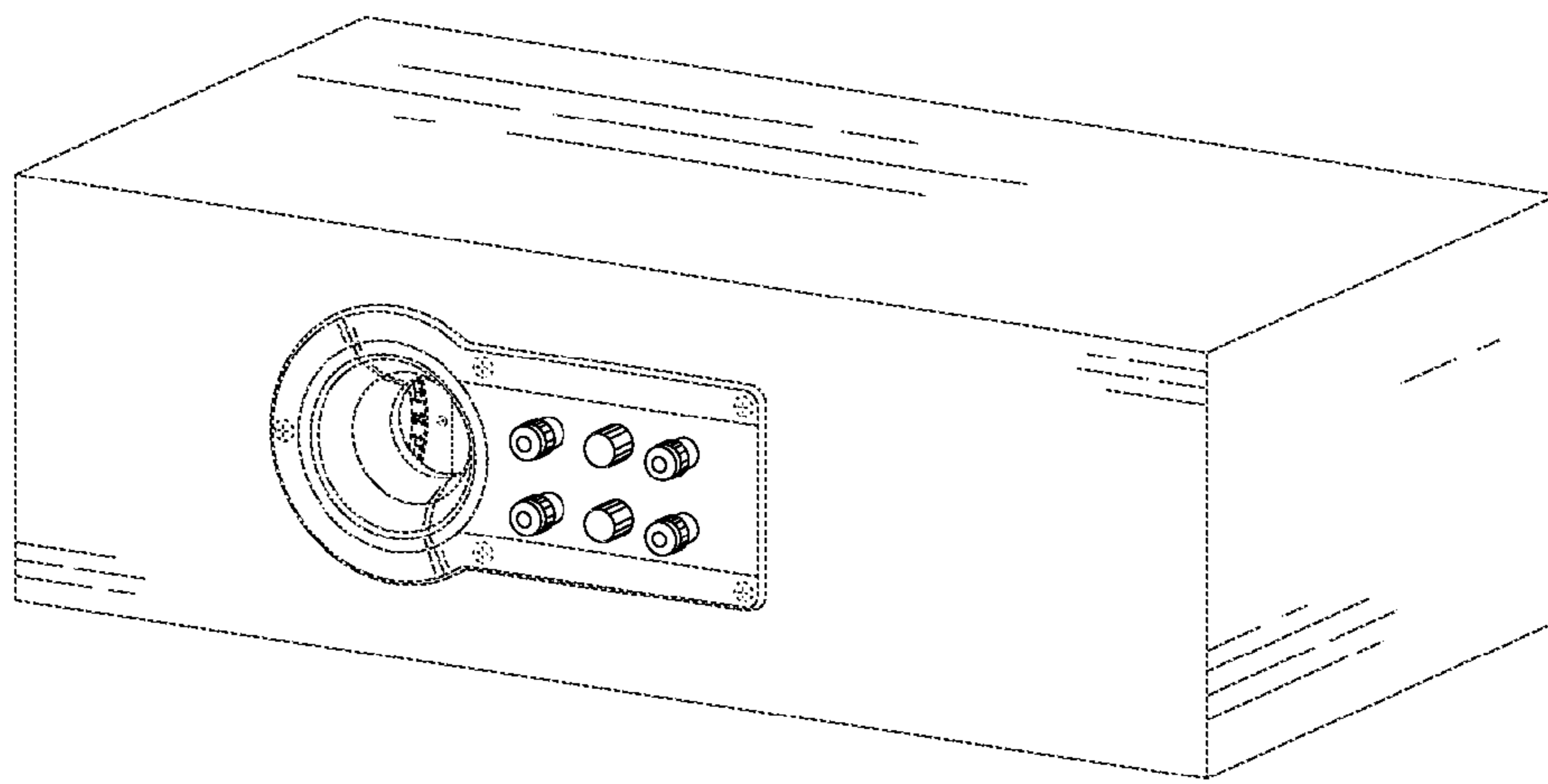


FIG. 8

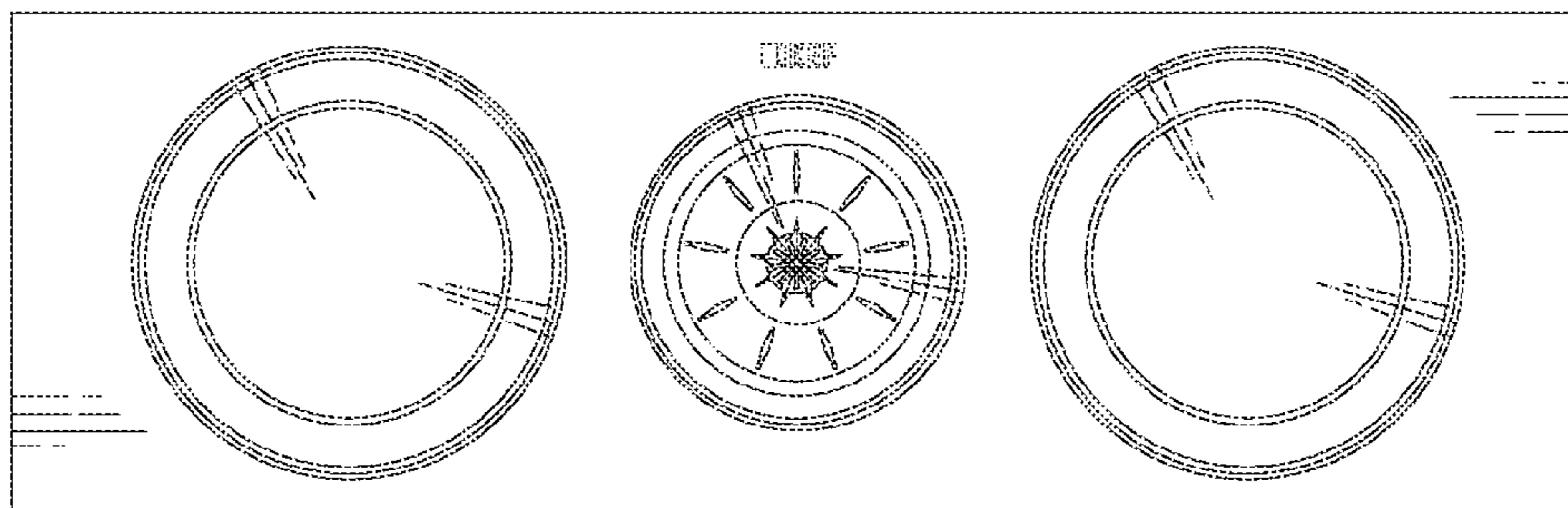


FIG. 9

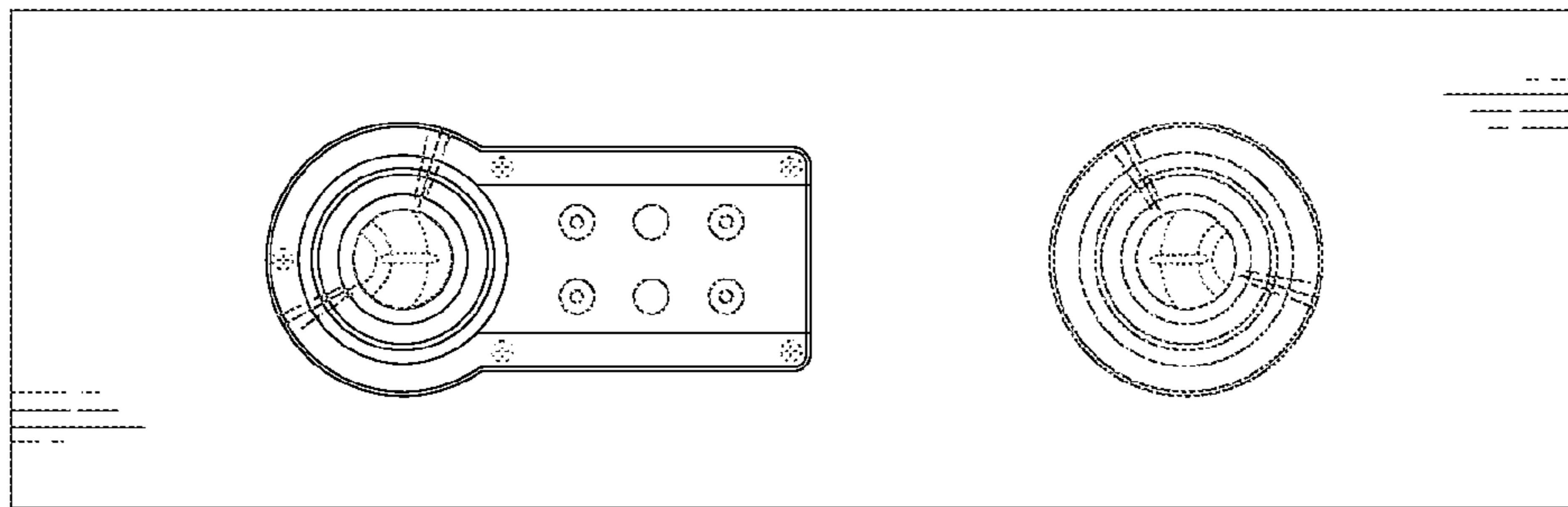


FIG. 10

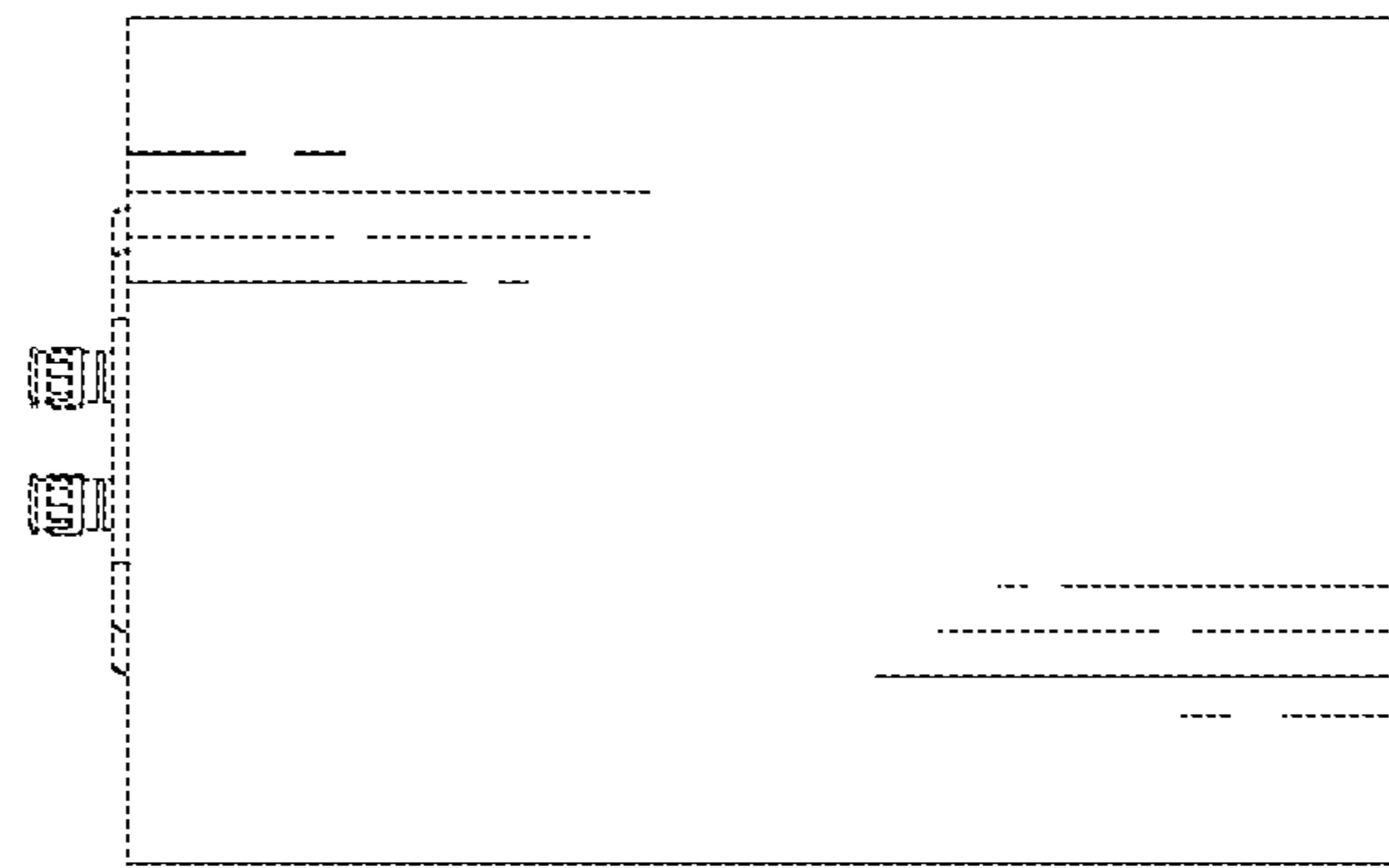


FIG. 11

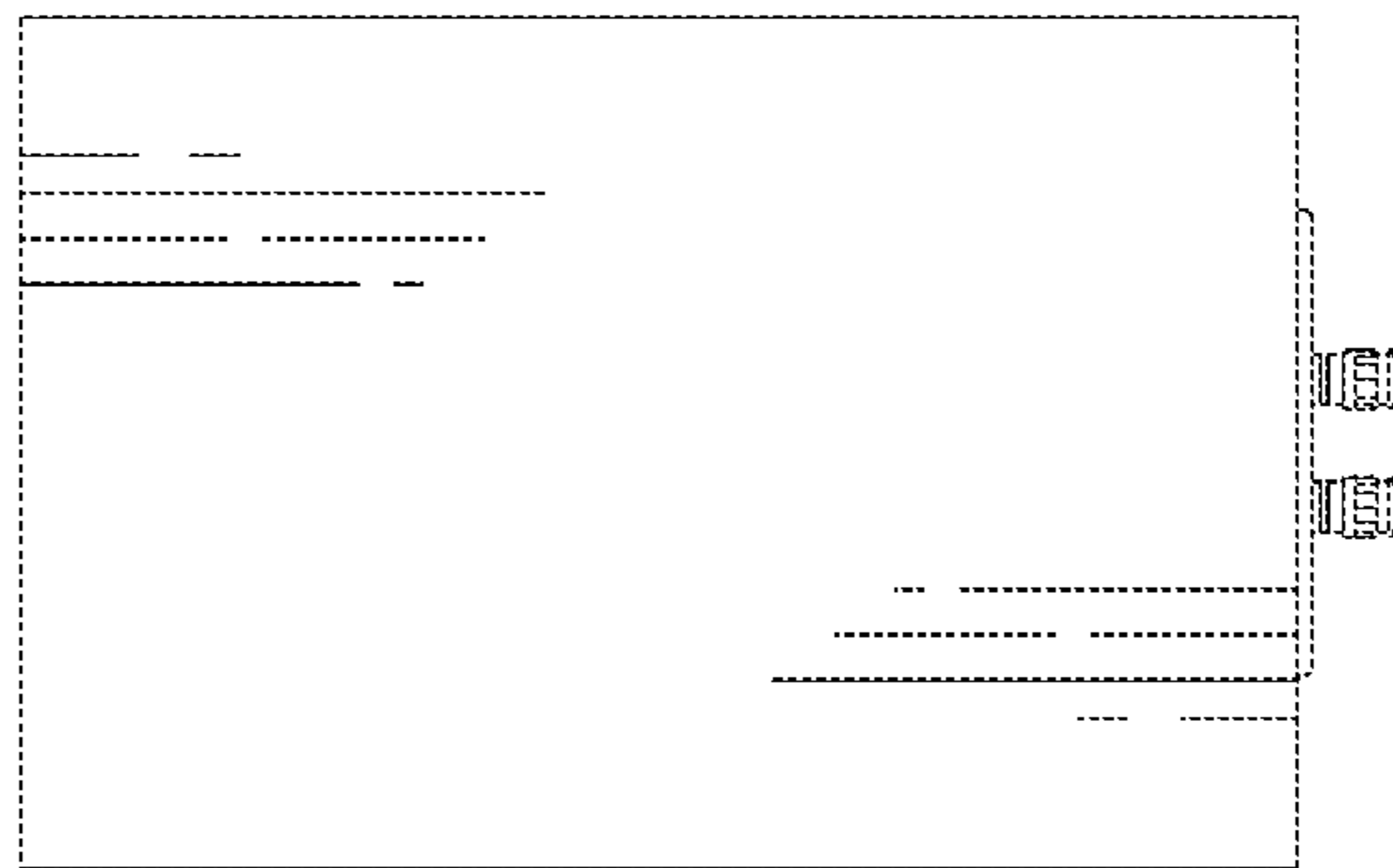


FIG. 12

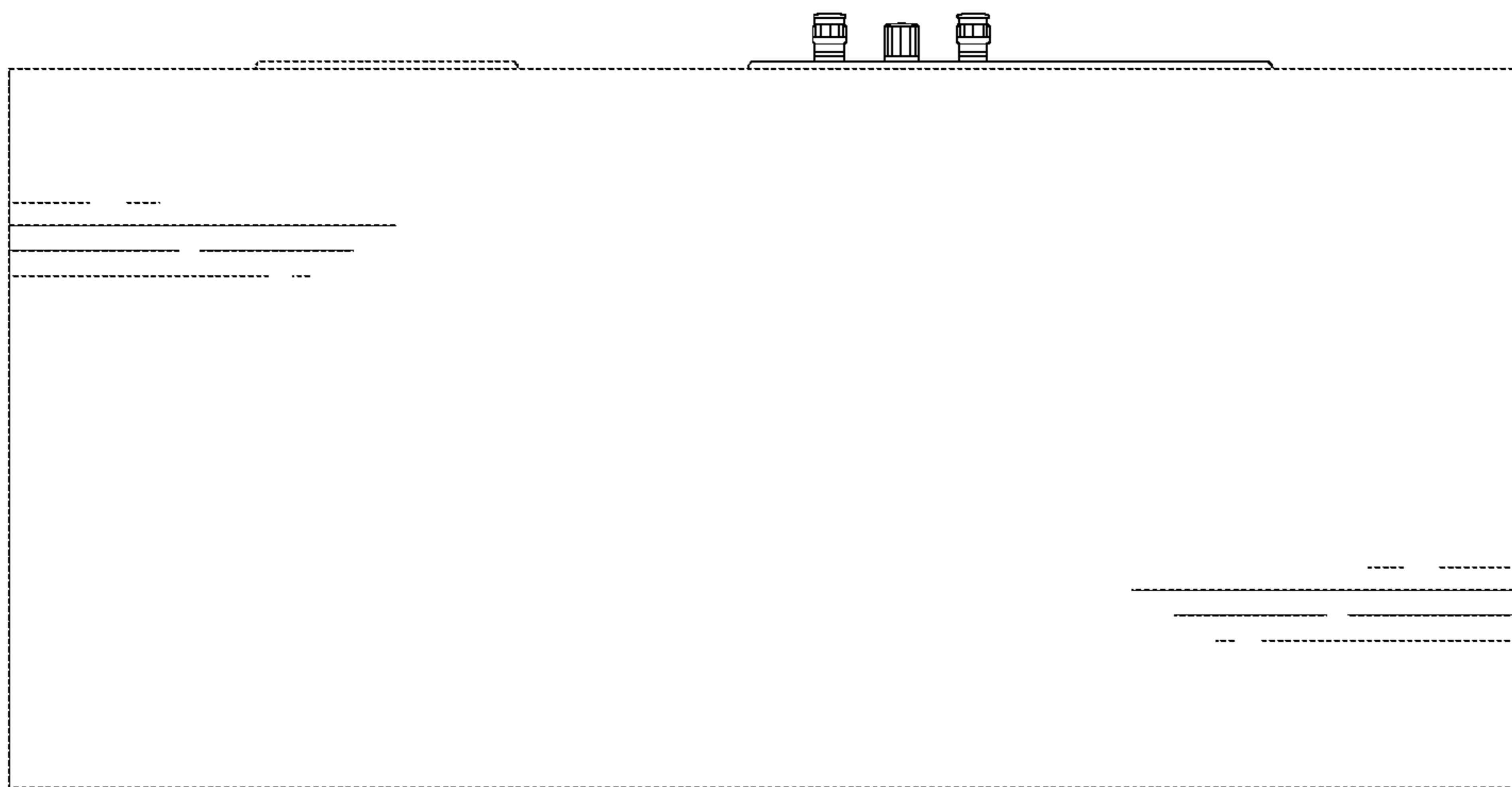


FIG. 13

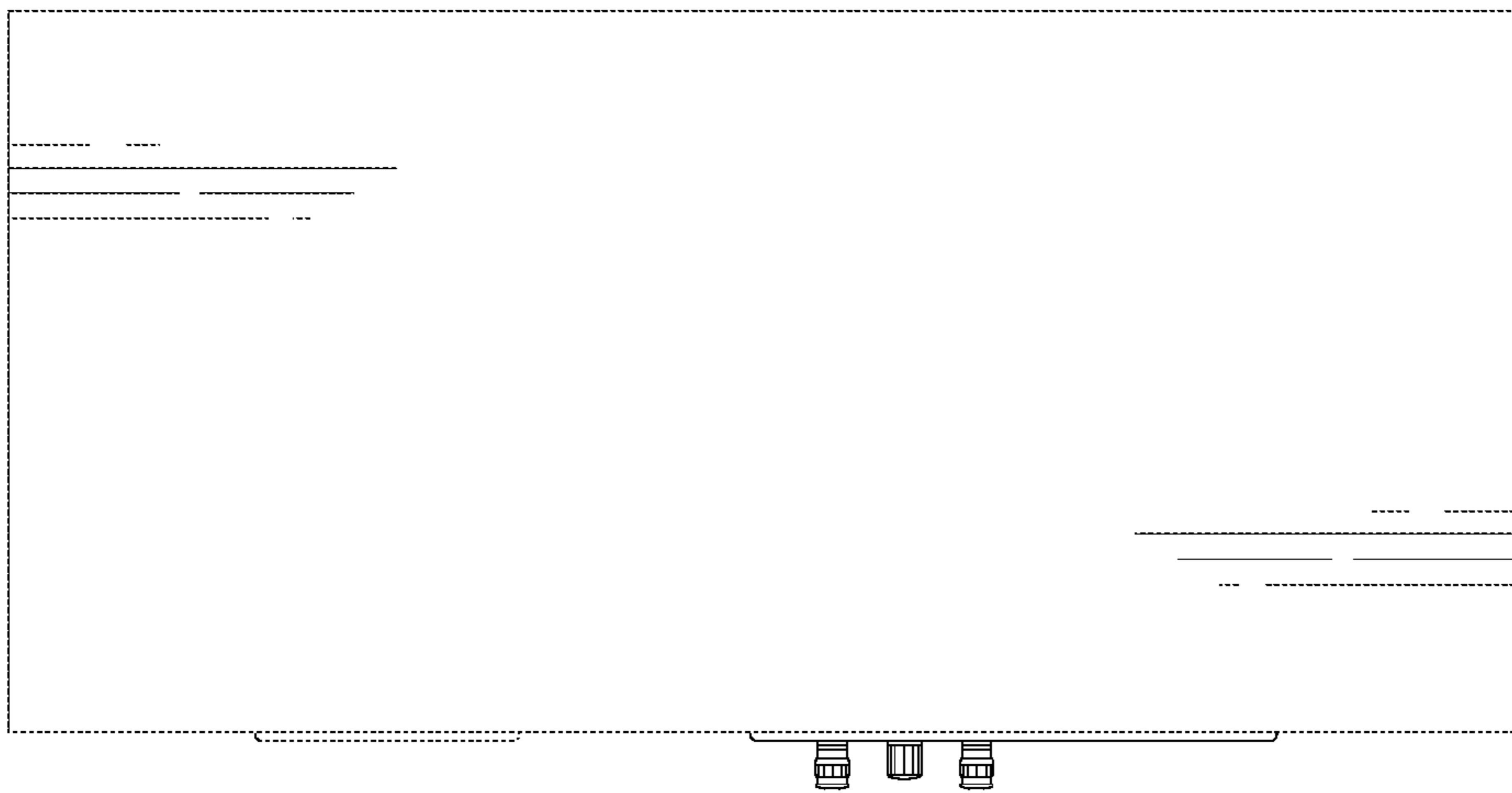


FIG. 14

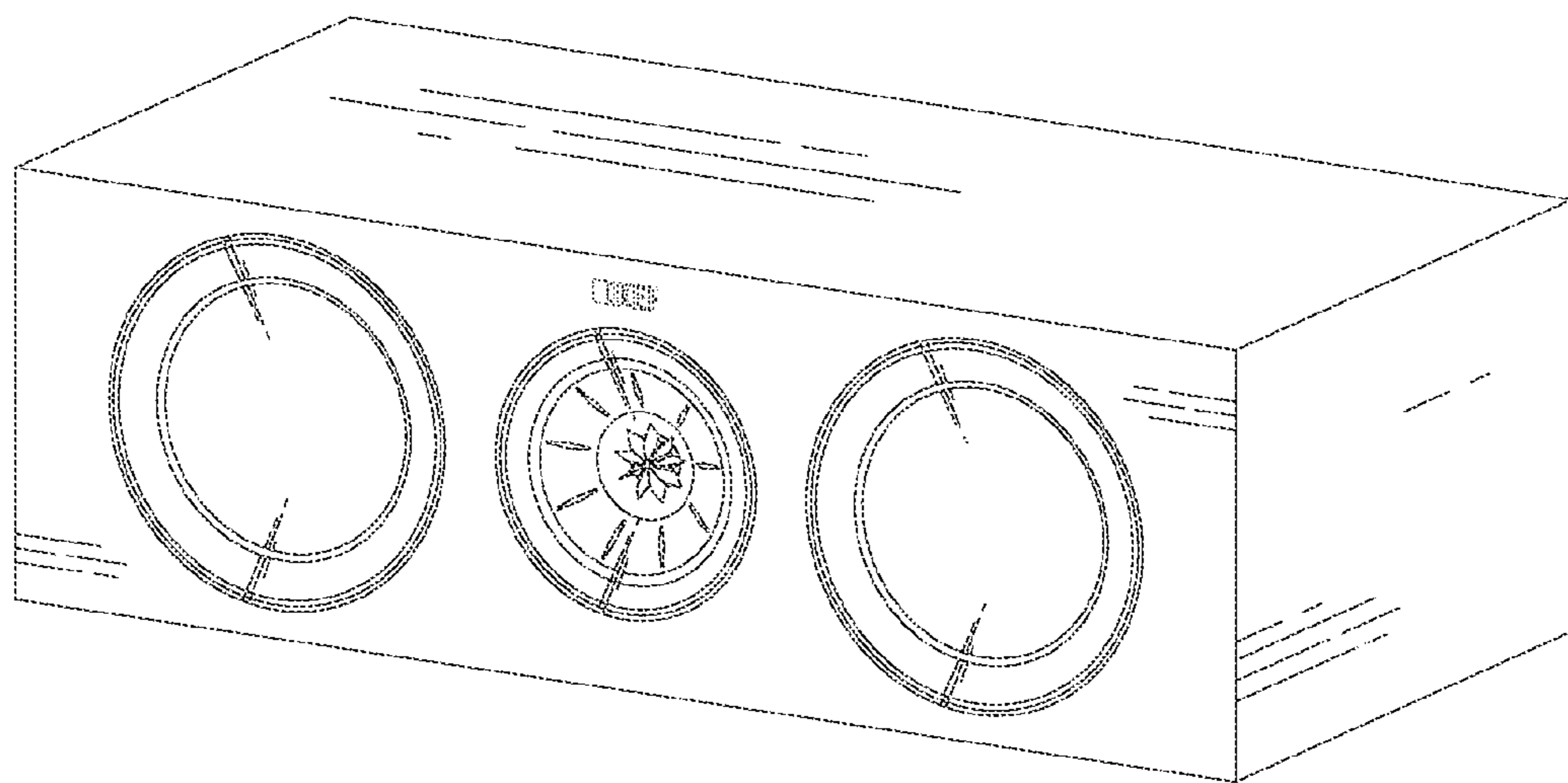


FIG. 15



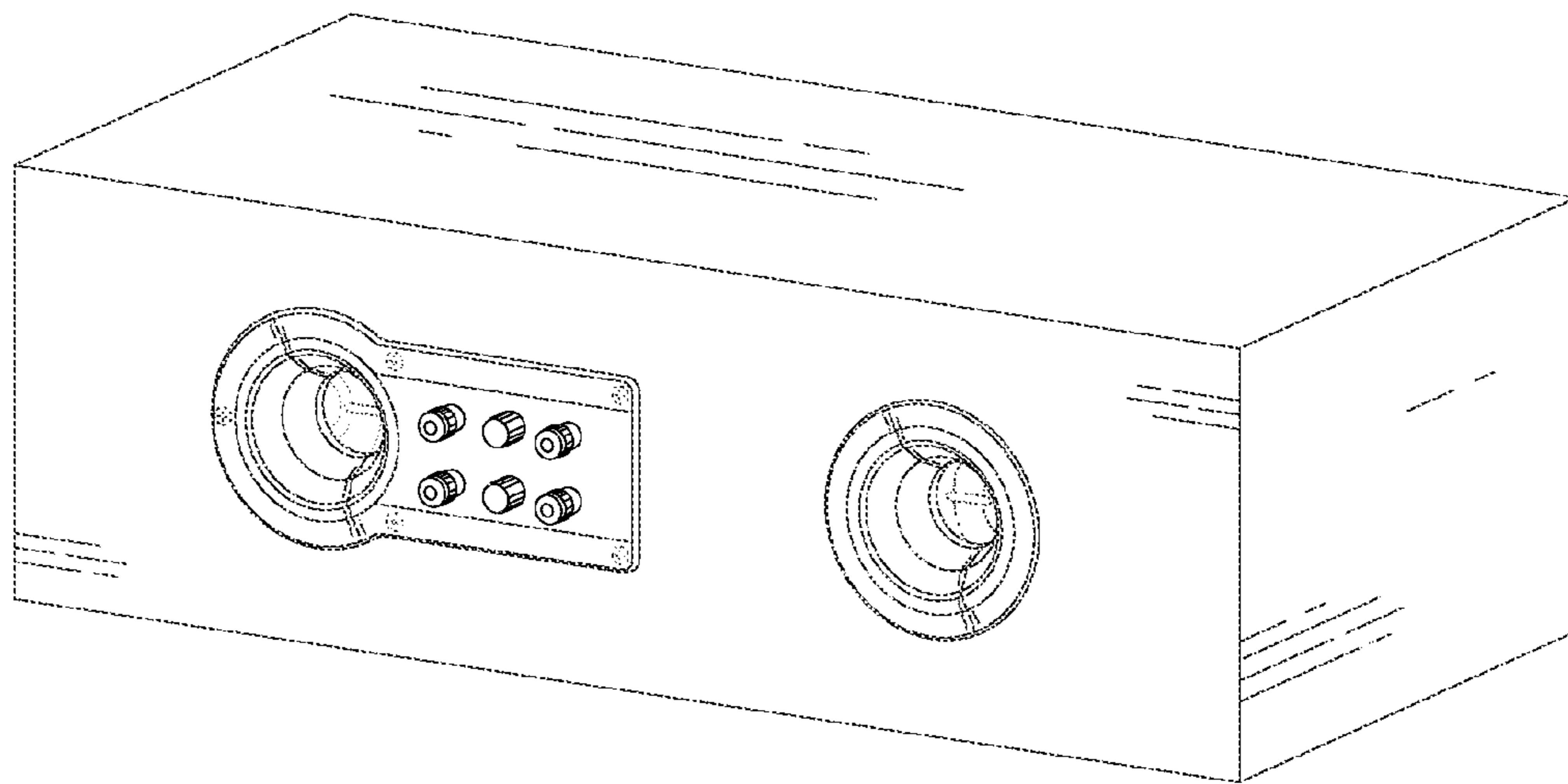


FIG. 16