



US00D676022S

(12) **United States Design Patent**
Stevinson

(10) **Patent No.:** **US D676,022 S**

(45) **Date of Patent:** **** Feb. 12, 2013**

(54) **CONTOURED EARPHONE RETAINING CLIP**

(76) Inventor: **Dean Stevenson**, Centennial, CO (US)

(**) Term: **14 Years**

(21) Appl. No.: **29/409,528**

(22) Filed: **Dec. 23, 2011**

(51) **LOC (9) Cl.** **14-01**

(52) **U.S. Cl.** **D14/205**

(58) **Field of Classification Search** D14/205;
D13/154; D3/24; D8/356, 358, 383; 206/389;
381/370; 24/67.11, 545, 343, 30.5 R; 174/146;
242/400.1

See application file for complete search history.

(56) **References Cited**

U.S. PATENT DOCUMENTS

D136,783	S	*	12/1943	Le Veck	D8/358
2,981,990	A	*	5/1961	Balderree, Jr.	24/30.5 R
3,161,723	A	*	12/1964	Flower et al.	174/146
3,465,391	A	*	9/1969	Armstrong	24/115 R
6,601,808	B1	*	8/2003	Nagel	248/220.31
D502,388	S	*	3/2005	Cortez et al.	D8/356
6,928,704	B2	*	8/2005	Johnson	24/130
D556,020	S	*	11/2007	Whitney et al.	D8/356
D576,867	S	*	9/2008	Kretz	D8/356
D600,673	S	*	9/2009	Kim et al.	D14/205

D601,879	S	*	10/2009	Kim et al.	D8/356
D620,781	S	*	8/2010	Weckworth	D8/356
D638,398	S	*	5/2011	Morison	D14/205

* cited by examiner

Primary Examiner — Paula Greene

(74) *Attorney, Agent, or Firm* — Lathrop & Gage LLP

(57) **CLAIM**

The ornamental design for a contoured earphone retaining clip, as shown and described.

DESCRIPTION

FIG. 1 is a perspective view, as seen from above, of the contoured earphone retaining clip;

FIG. 2 is a front elevation of the contoured earphone retaining clip;

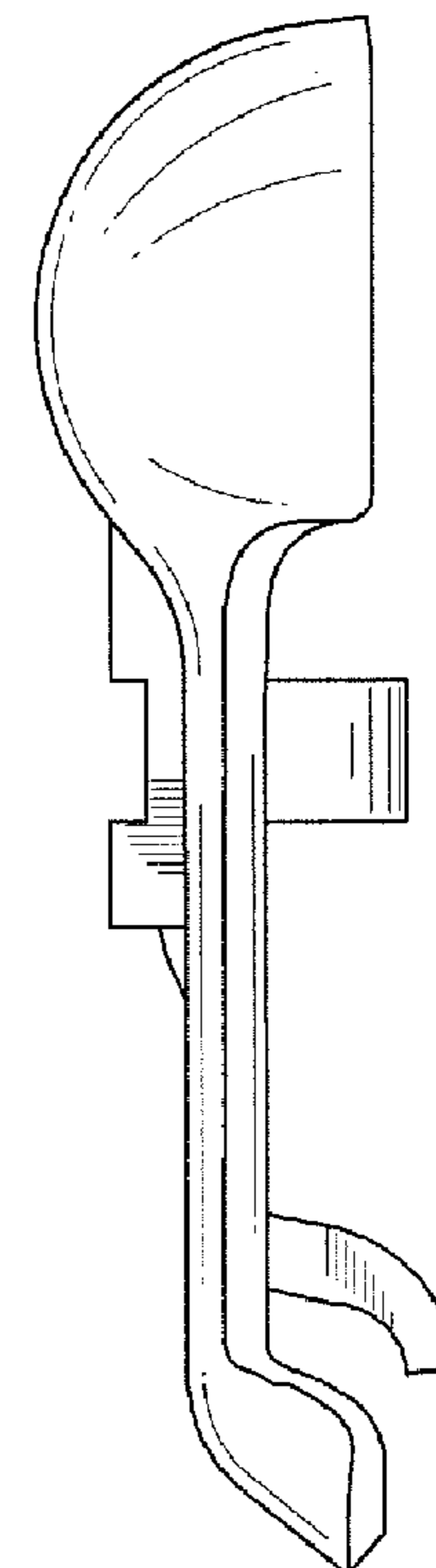
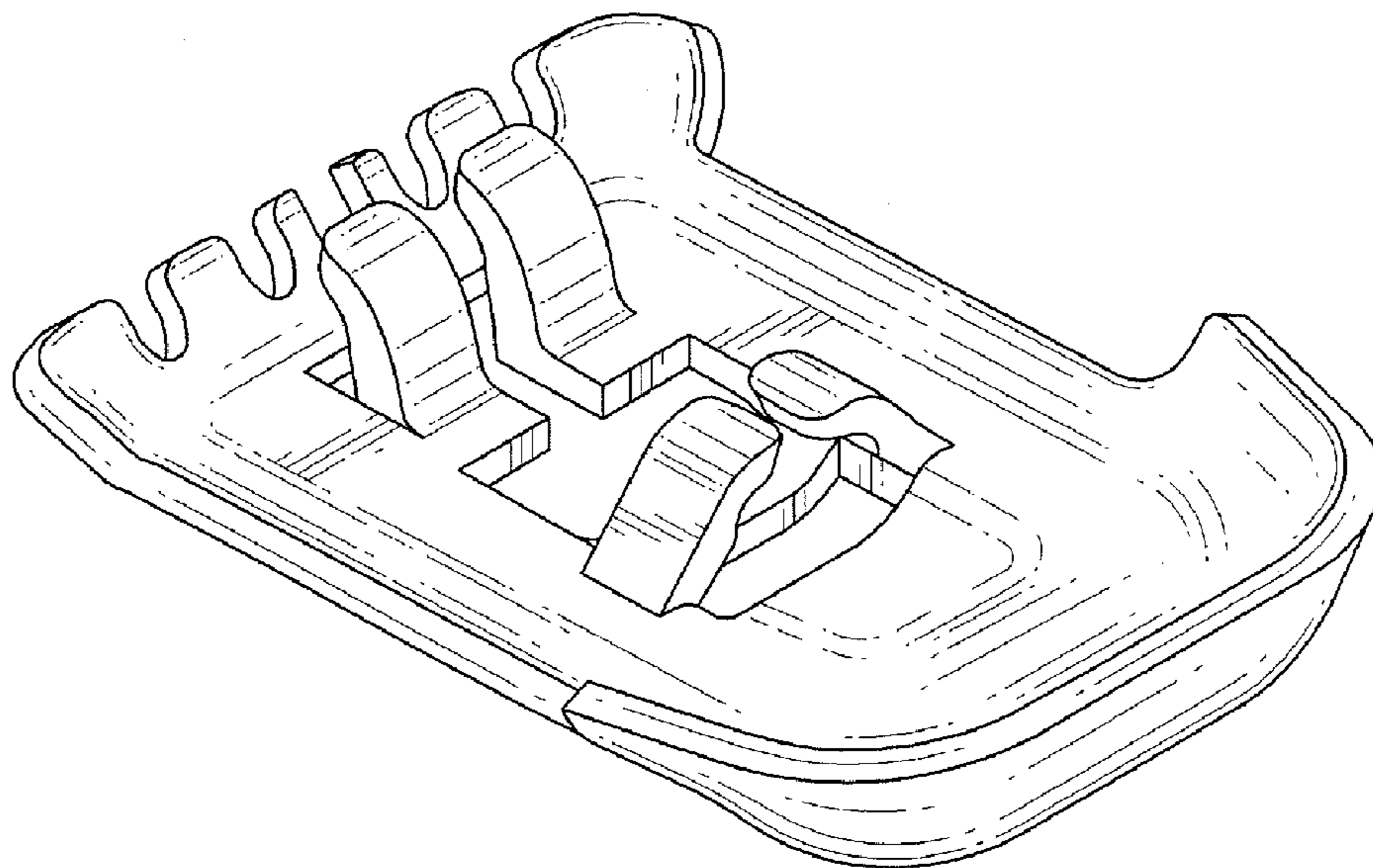
FIG. 3 is a back elevation of the contoured earphone retaining clip;

FIG. 4 is a left side elevation of the contoured earphone retaining clip, an opposing elevation of the of the contoured earphone retaining clip being a mirror image thereof;

FIG. 5 is a top elevation of the contoured earphone retaining clip; and,

FIG. 6 is a bottom elevation of the contoured earphone retaining clip.

1 Claim, 3 Drawing Sheets



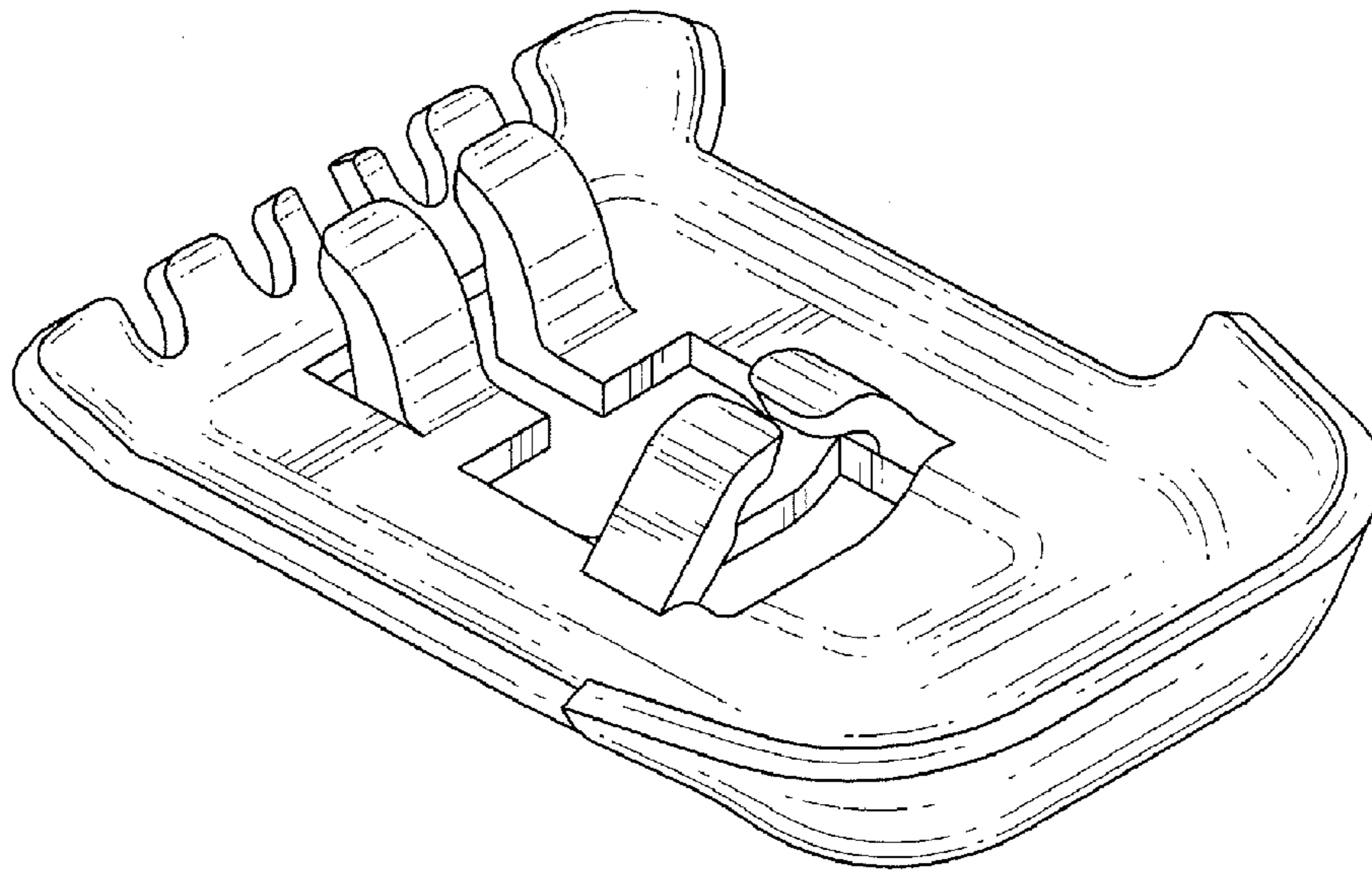


FIG. 1

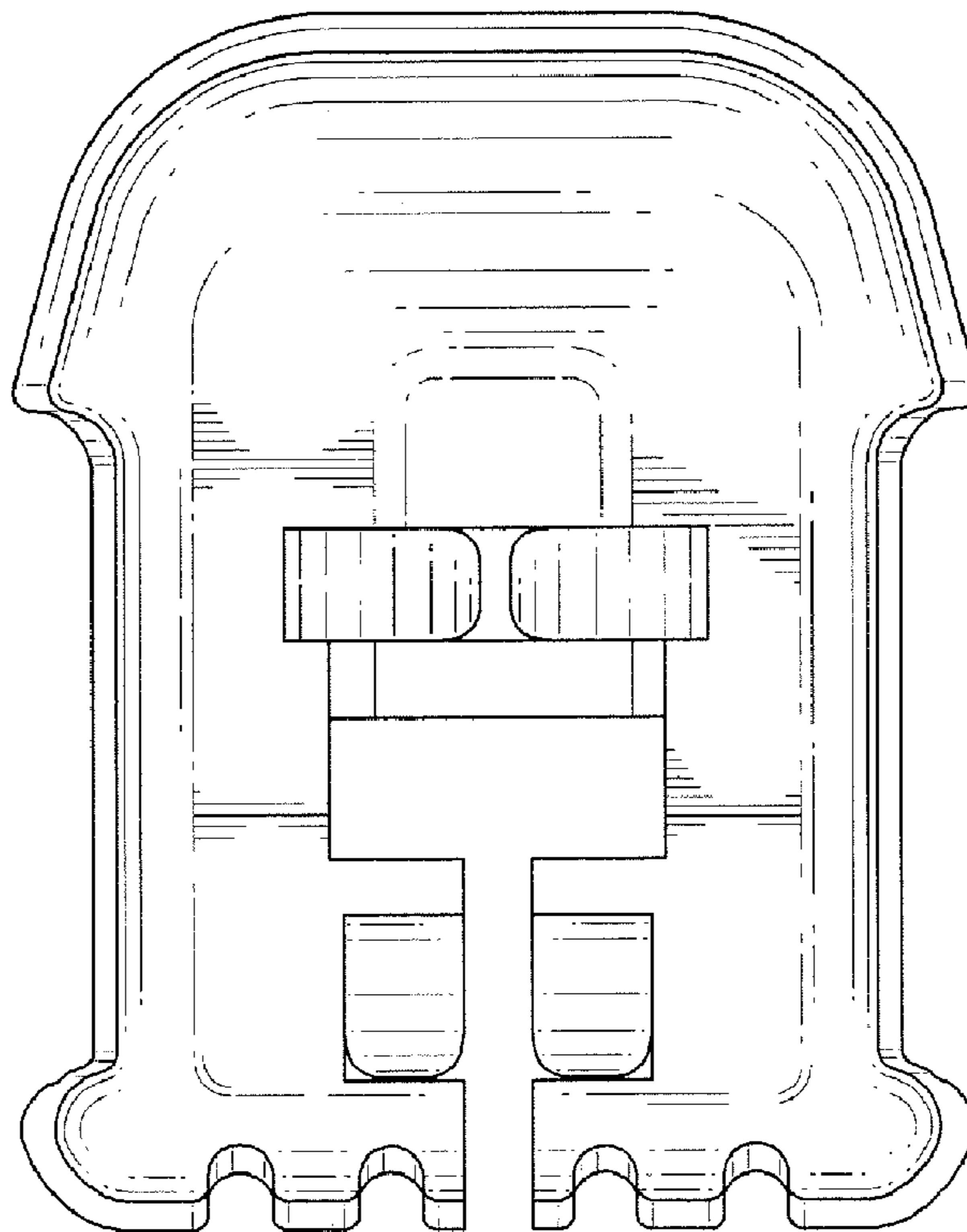


FIG. 2

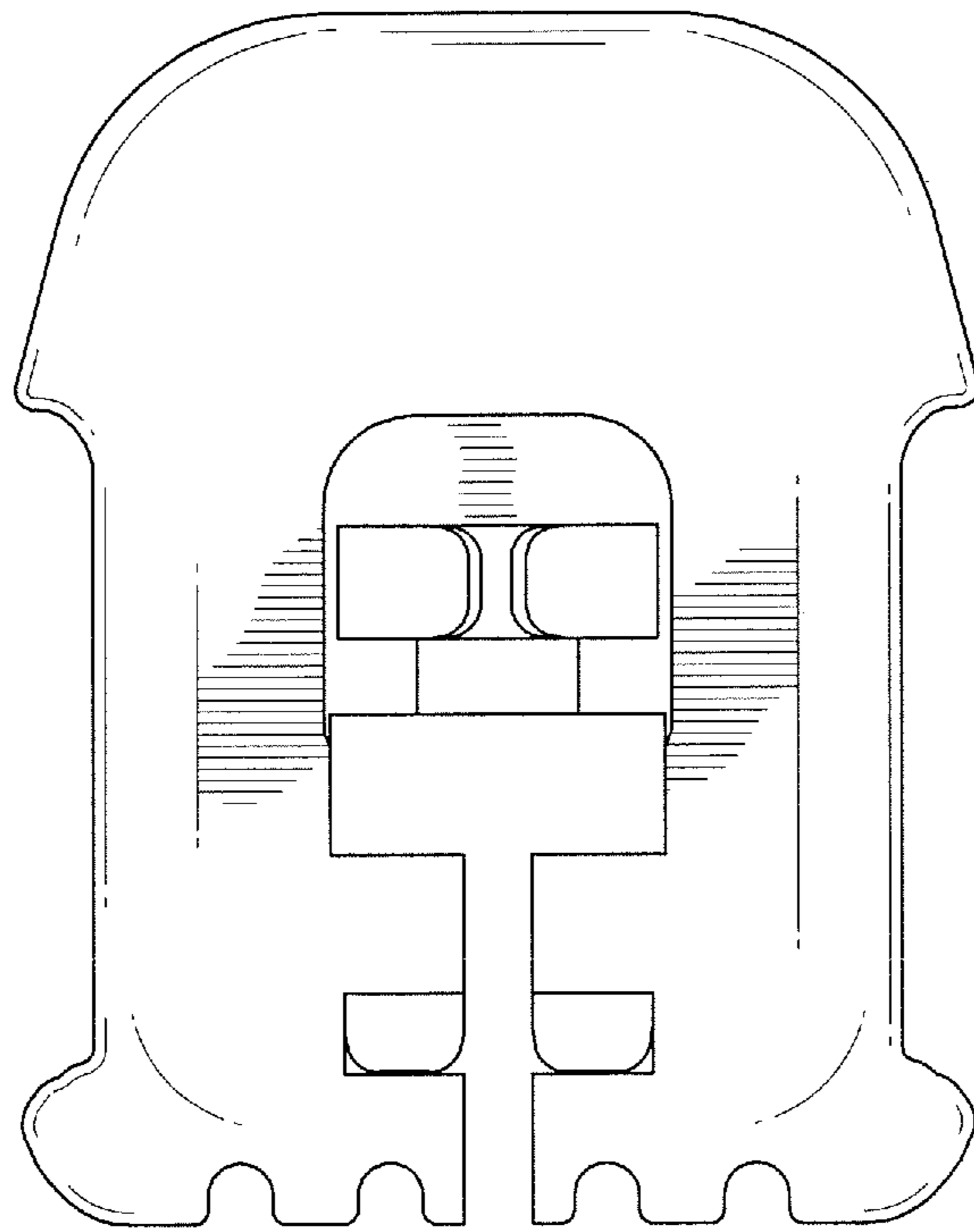


FIG. 3

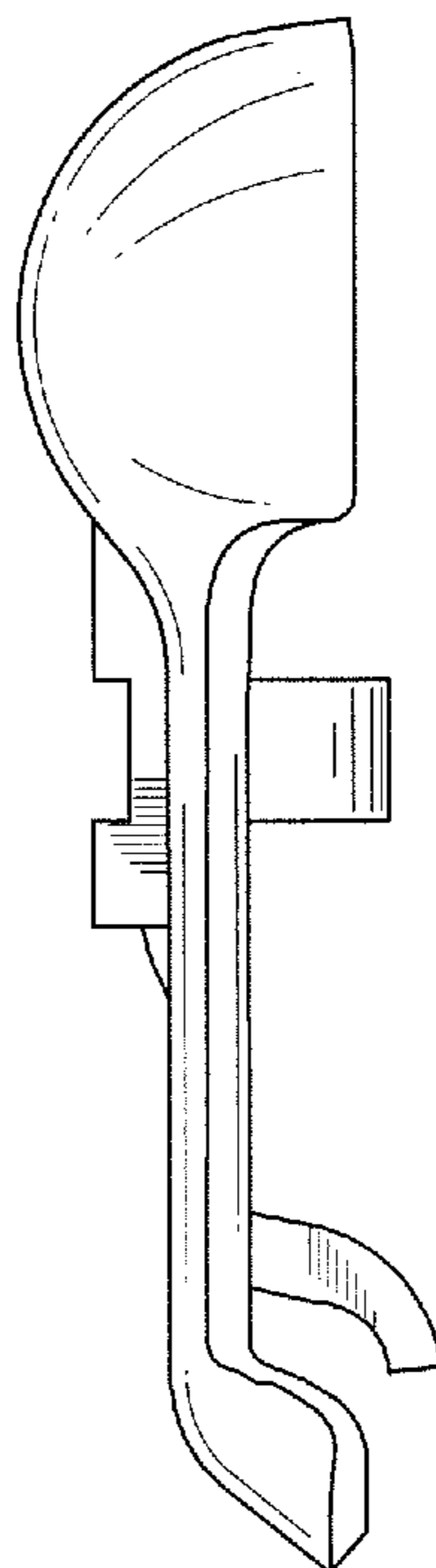


FIG. 4

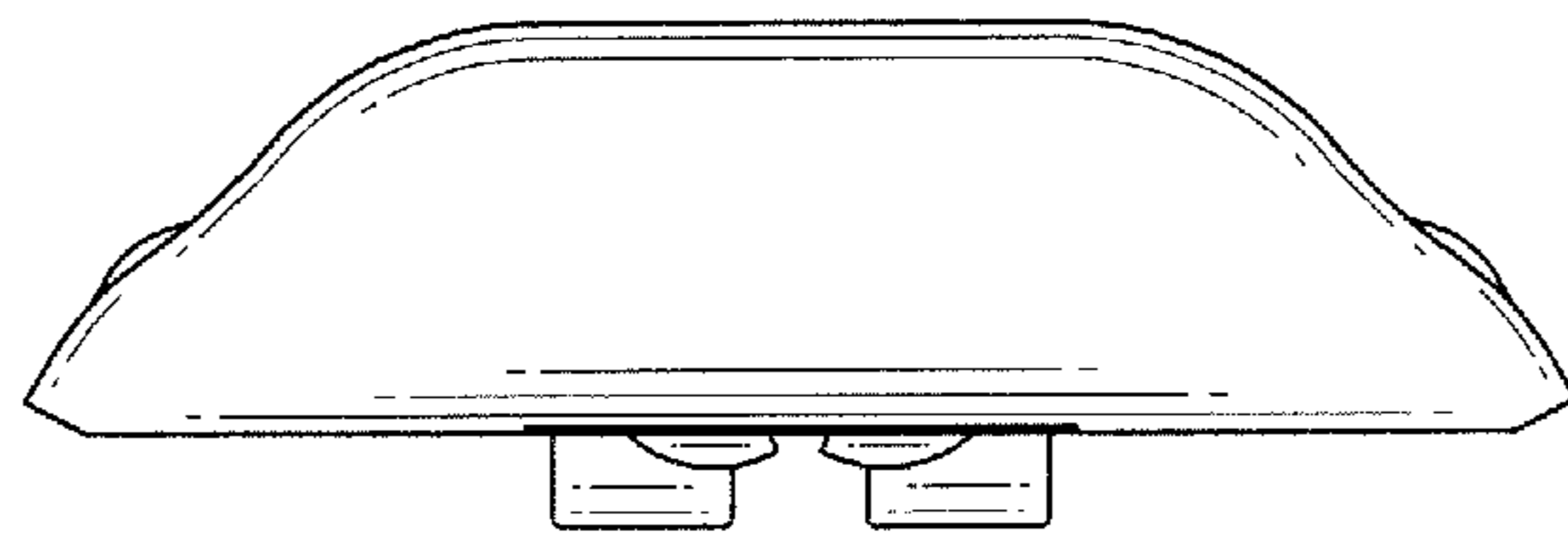


FIG. 5

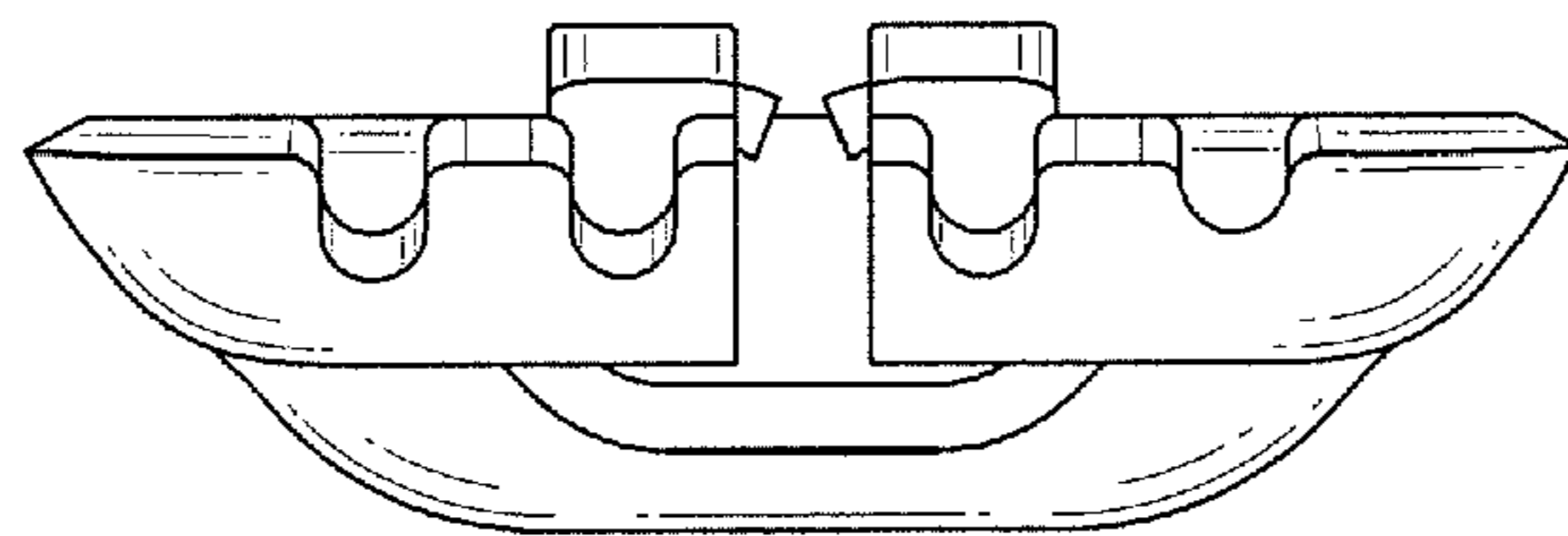


FIG. 6