



US00D676021S

(12) **United States Design Patent**
Stevinson

(10) **Patent No.:** **US D676,021 S**

(45) **Date of Patent:** **** Feb. 12, 2013**

(54) **UNIVERSAL EARPHONE RETAINING CLIP**

(76) Inventor: **Dean Stevenson**, Centennial, CO (US)

(**) Term: **14 Years**

(21) Appl. No.: **29/409,521**

(22) Filed: **Dec. 23, 2011**

(51) **LOC (9) Cl.** **14-01**

(52) **U.S. Cl.** **D14/205**

(58) **Field of Classification Search** D14/205;
D13/154; D3/24; D8/356, 358; 24/115 R,
24/67.11, 545, 343, 30.5 R; 206/389; 381/370;
174/146

See application file for complete search history.

(56) **References Cited**

U.S. PATENT DOCUMENTS

363,495	A *	5/1887	Wilson, Jr.	24/130
1,426,537	A *	8/1922	Bauer	24/130
2,287,368	A *	6/1942	Anderson	242/404.2
2,396,906	A *	3/1946	Windson	446/222
3,353,232	A *	11/1967	Brownson	24/129 R
D221,511	S *	8/1971	Dufault	D8/358
3,736,925	A *	6/1973	Erman	606/204.35
3,785,080	A *	1/1974	Wallace	43/54.1
D235,850	S *	7/1975	Diforte, Jr.	D8/357
3,953,911	A *	5/1976	Fishack	24/16 R
4,270,247	A *	6/1981	Freedom	24/30.5 R
D284,299	S *	6/1986	Auerbach et al.	D22/143

4,680,886	A *	7/1987	Caselli, Sr.	43/57.1
D347,989	S *	6/1994	DeWard	D8/358
5,984,224	A	11/1999	Yang	
D514,923	S *	2/2006	Brown	D8/354
D576,867	S *	9/2008	Kretz	D8/356
7,500,644	B2 *	3/2009	Naudet et al.	248/68.1
D596,480	S *	7/2009	Murphy	D8/356
D600,673	S *	9/2009	Kim et al.	D14/205
D601,879	S *	10/2009	Kim et al.	D8/356

* cited by examiner

Primary Examiner — Paula Greene

(74) *Attorney, Agent, or Firm* — Lathrop & Gage LLP

(57) **CLAIM**

The ornamental design for a universal earphone retaining clip, as shown and described.

DESCRIPTION

FIG. 1 is a perspective view, as seen from above, of the universal earphone retaining clip;

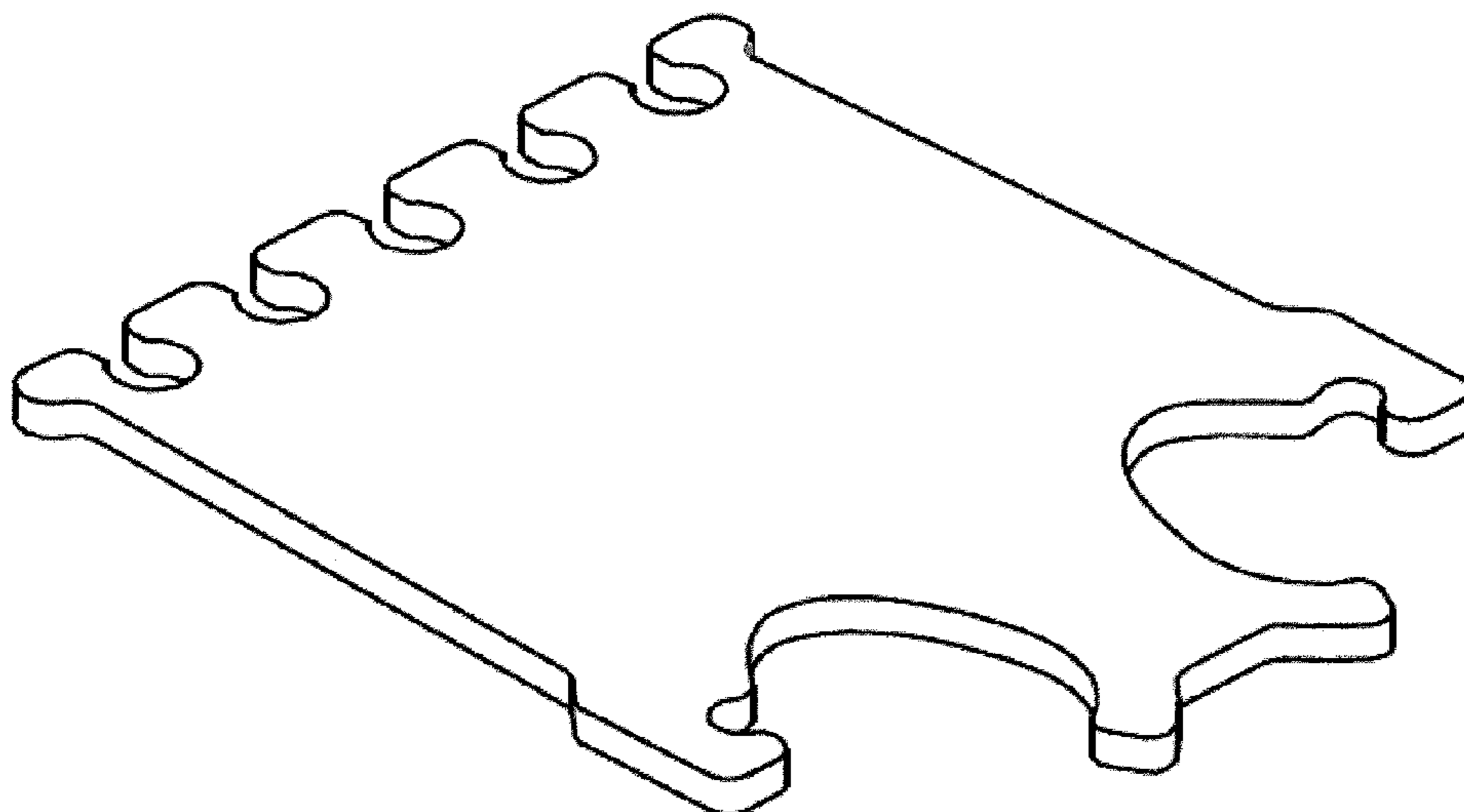
FIG. 2 is a front elevation of the universal earphone retaining clip, an opposing elevation of the universal earphone retaining clip being identical;

FIG. 3 is a bottom elevation of the universal earphone retaining clip;

FIG. 4 is a left side elevation of the universal earphone retaining clip, an opposing elevation of the of the universal earphone retaining clip being identical; and,

FIG. 5 is a top elevation of the universal earphone retaining clip.

1 Claim, 2 Drawing Sheets



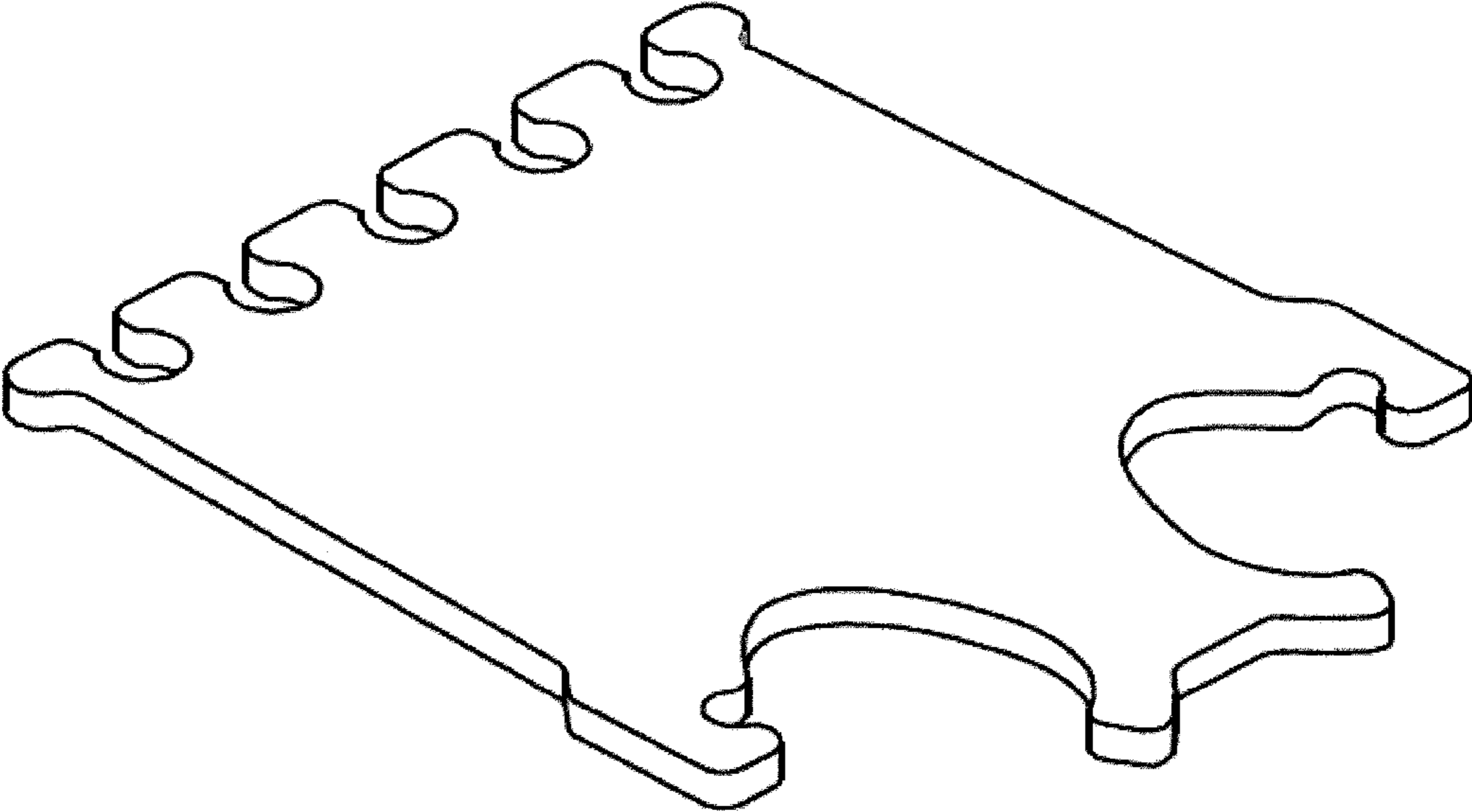


FIG. 1

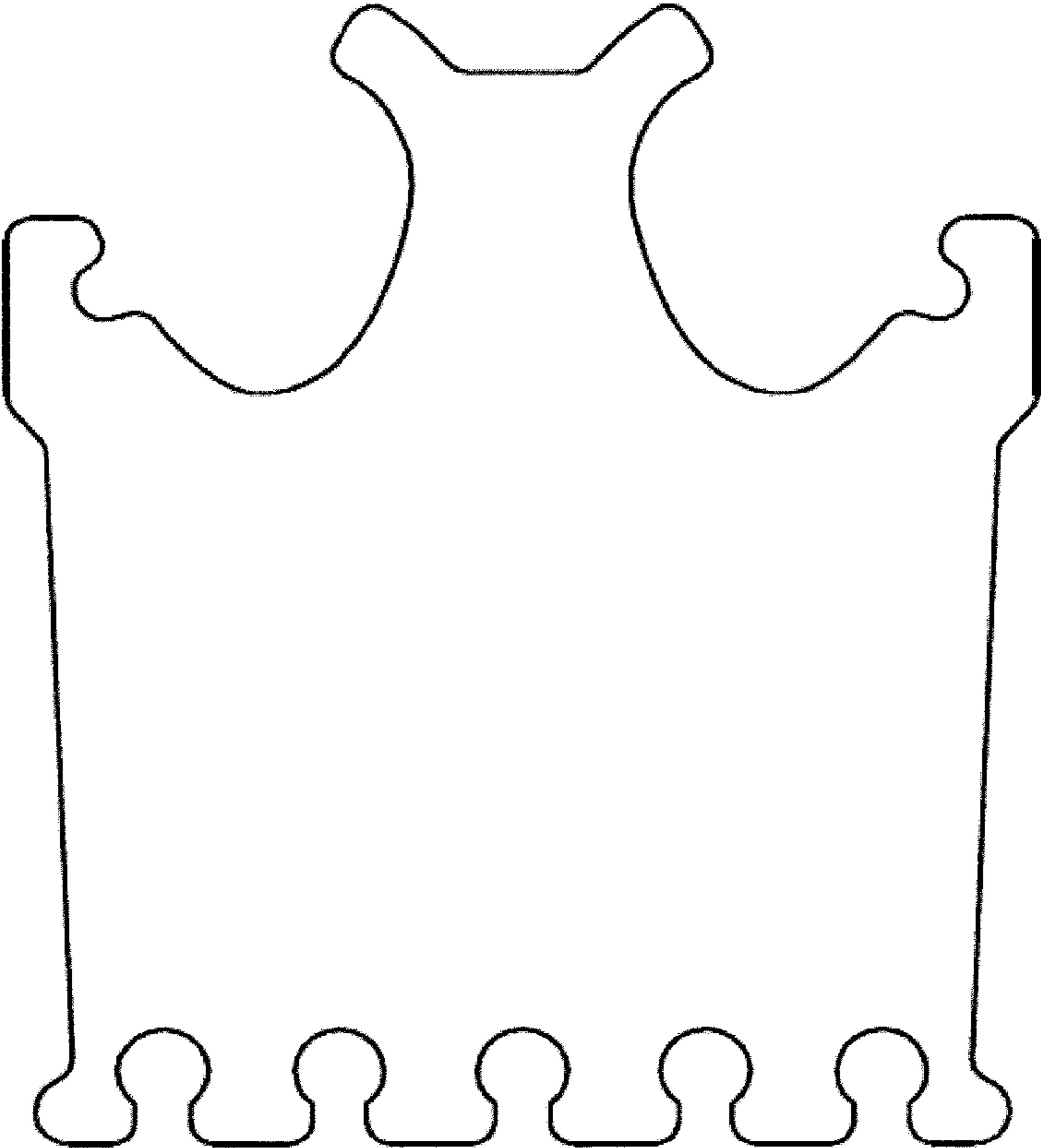


FIG. 2



FIG. 3



FIG. 4



FIG. 5