



US00D676020S

(12) **United States Design Patent**
Matsumura

(10) **Patent No.:** **US D676,020 S**

(45) **Date of Patent:** **** *Feb. 12, 2013**

(54) **SPEAKER GRILL FOR AUTOMOBILE**

(75) Inventor: **Takashi Matsumura**, Kawasaki (JP)

(73) Assignee: **Pioneer Corporation**, Kawasaki-shi,
Kanagawa (JP)

(*) Notice: This patent is subject to a terminal disclaimer.

(**) Term: **14 Years**

(21) Appl. No.: **29/393,115**

(22) Filed: **May 31, 2011**

(30) **Foreign Application Priority Data**

Dec. 2, 2010 (JP) D2010-028804

(51) **LOC (9) Cl.** **14-01**

(52) **U.S. Cl.** **D14/204; D14/218**

(58) **Field of Classification Search** D14/204,
D14/209-216, 219, 220; 181/143, 144, 147,
181/148, 150, 151, 198, 199, 153; 381/330-302,
381/306, 333, 345, 361-364, 386-388, 332,
381/336

See application file for complete search history.

(56) **References Cited**

U.S. PATENT DOCUMENTS

D158,448 S * 5/1950 Ethington D14/215
D178,798 S * 9/1956 Lowell D14/219

2,924,290 A * 2/1960 Zuerker 381/189
4,331,841 A * 5/1982 Castagna 381/186
D280,817 S * 10/1985 Ohtsuji D14/214
D289,894 S * 5/1987 Ohtsuji et al. D14/219
D323,327 S * 1/1992 Davidson D14/219
5,565,659 A * 10/1996 Moner et al. 181/150
D440,559 S * 4/2001 Ballard et al. D14/219
D626,944 S * 11/2010 Lazzeroni et al. D14/219
D639,785 S * 6/2011 Lazzeroni et al. D14/219

FOREIGN PATENT DOCUMENTS

JP 1302643 6/2007
JP 1318735 1/2008
JP 1356135 4/2009

* cited by examiner

Primary Examiner — Prabhakar Deshmukh

(74) *Attorney, Agent, or Firm* — Drinker Biddle & Reath
LLP

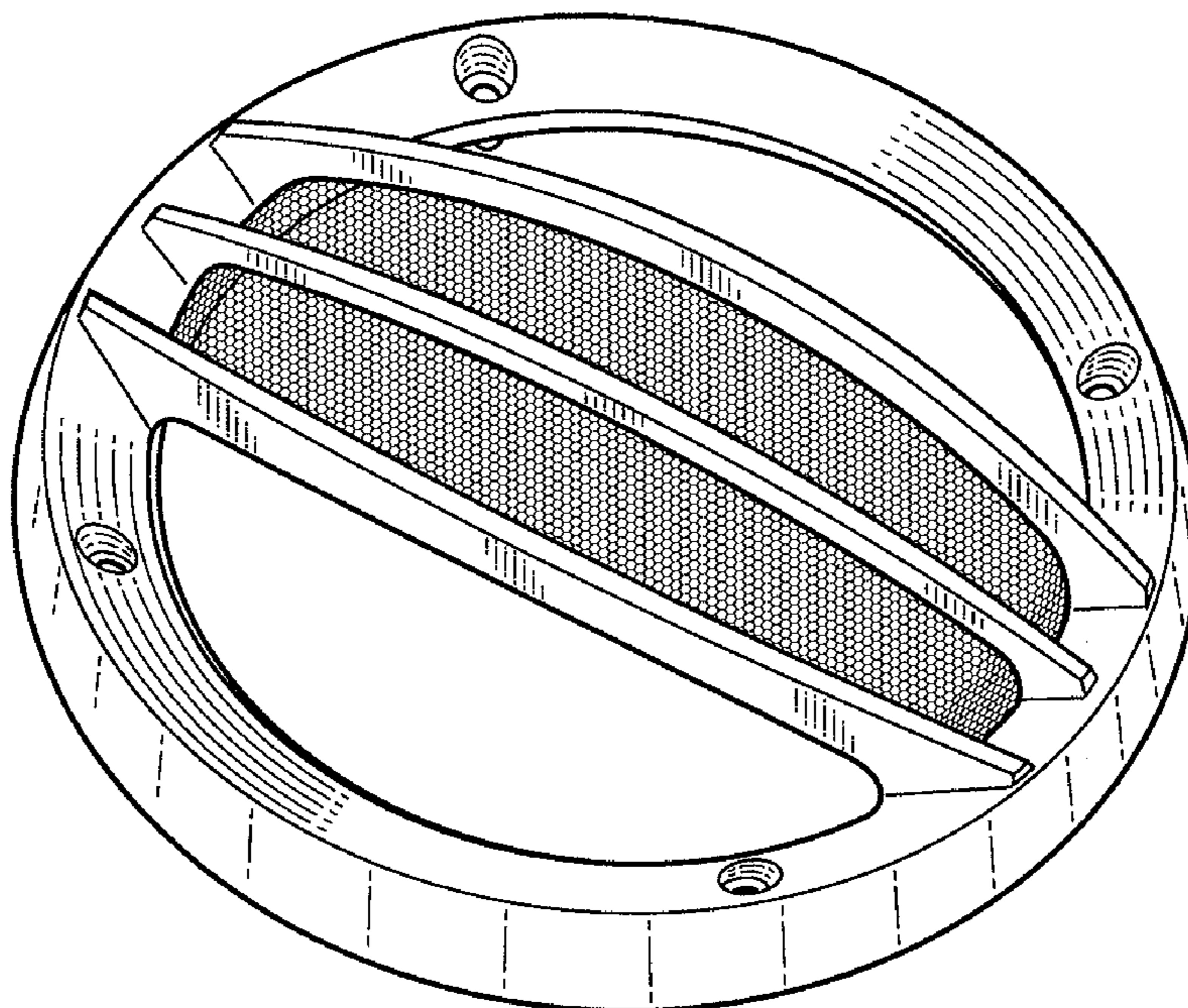
(57) **CLAIM**

The ornamental design for a speaker grill for automobile, as shown and described.

DESCRIPTION

FIG. 1 is a perspective view of the front, bottom and right side of a speaker grill for automobile showing my new design; FIG. 2 is a front view of thereof; FIG. 3 is a rear view thereof; FIG. 4 is a top plan view thereof; FIG. 5 is a bottom view thereof; FIG. 6 is a left side view thereof; and, FIG. 7 is a right side view thereof.

1 Claim, 3 Drawing Sheets



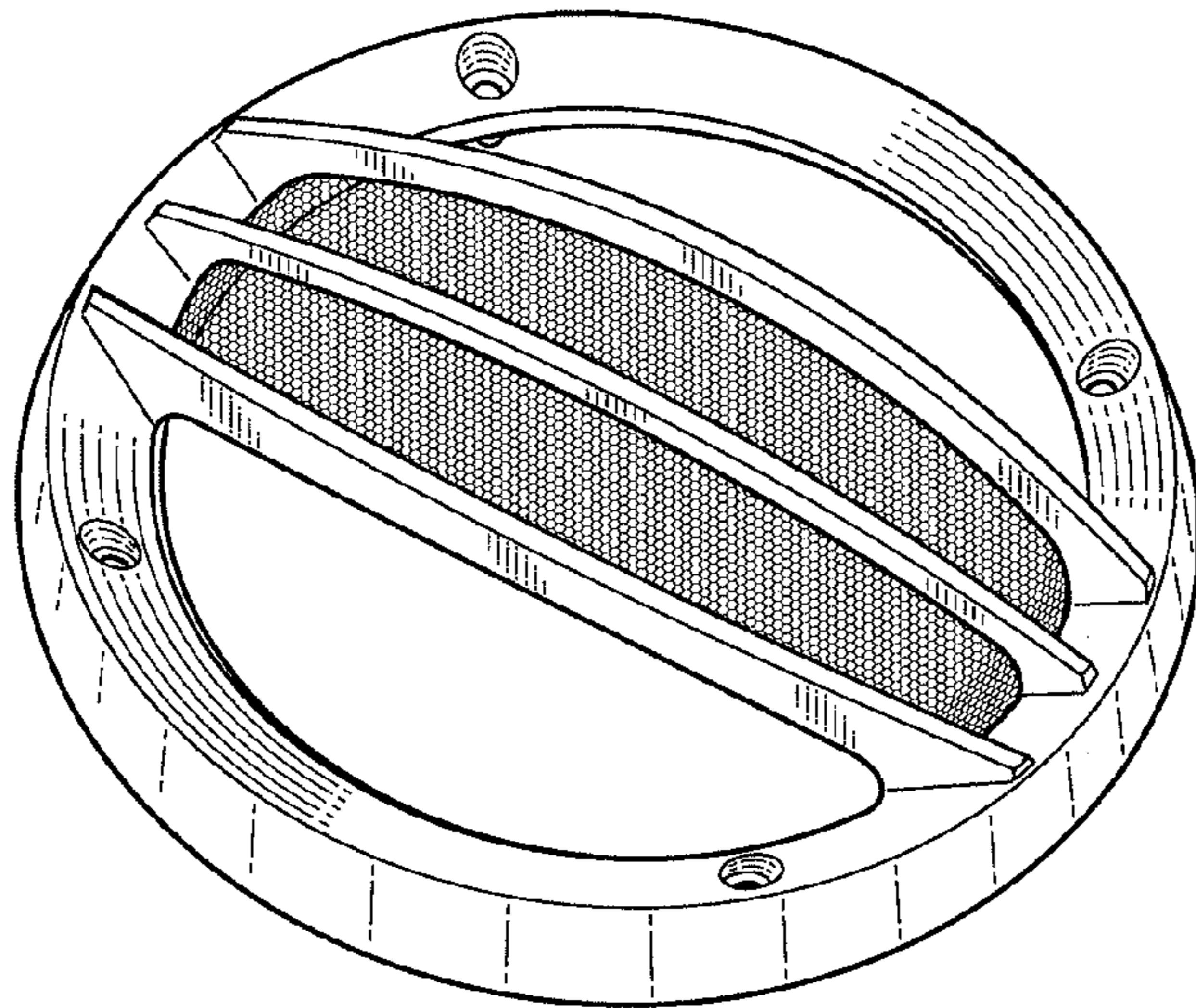


FIG. 1

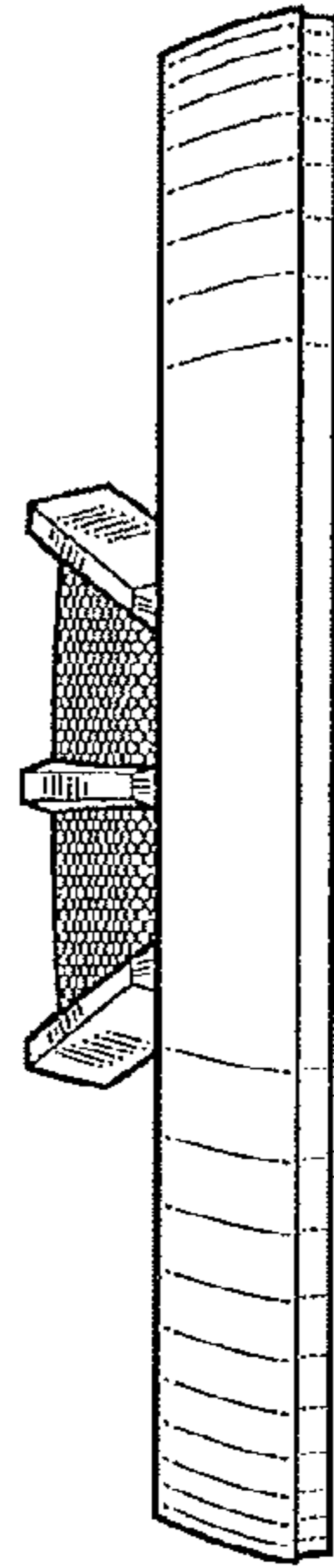


FIG. 7

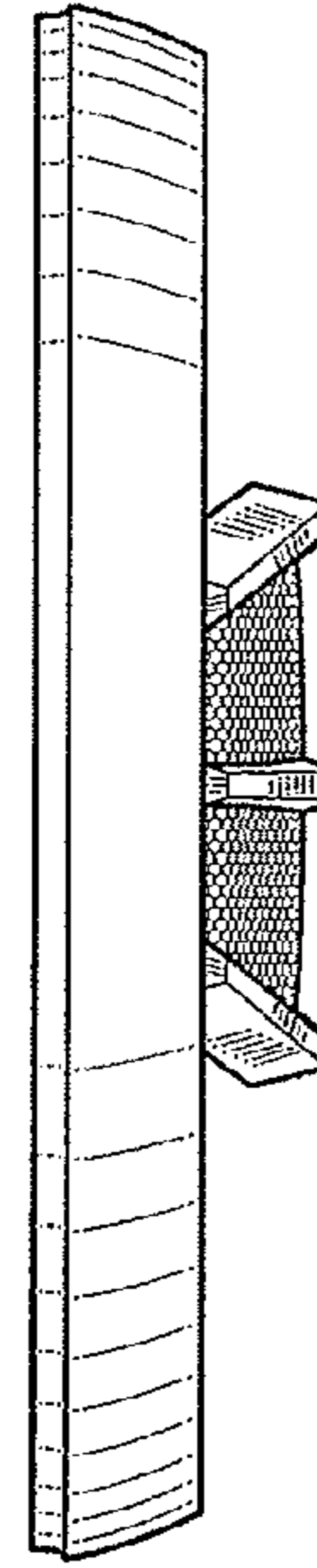


FIG. 6

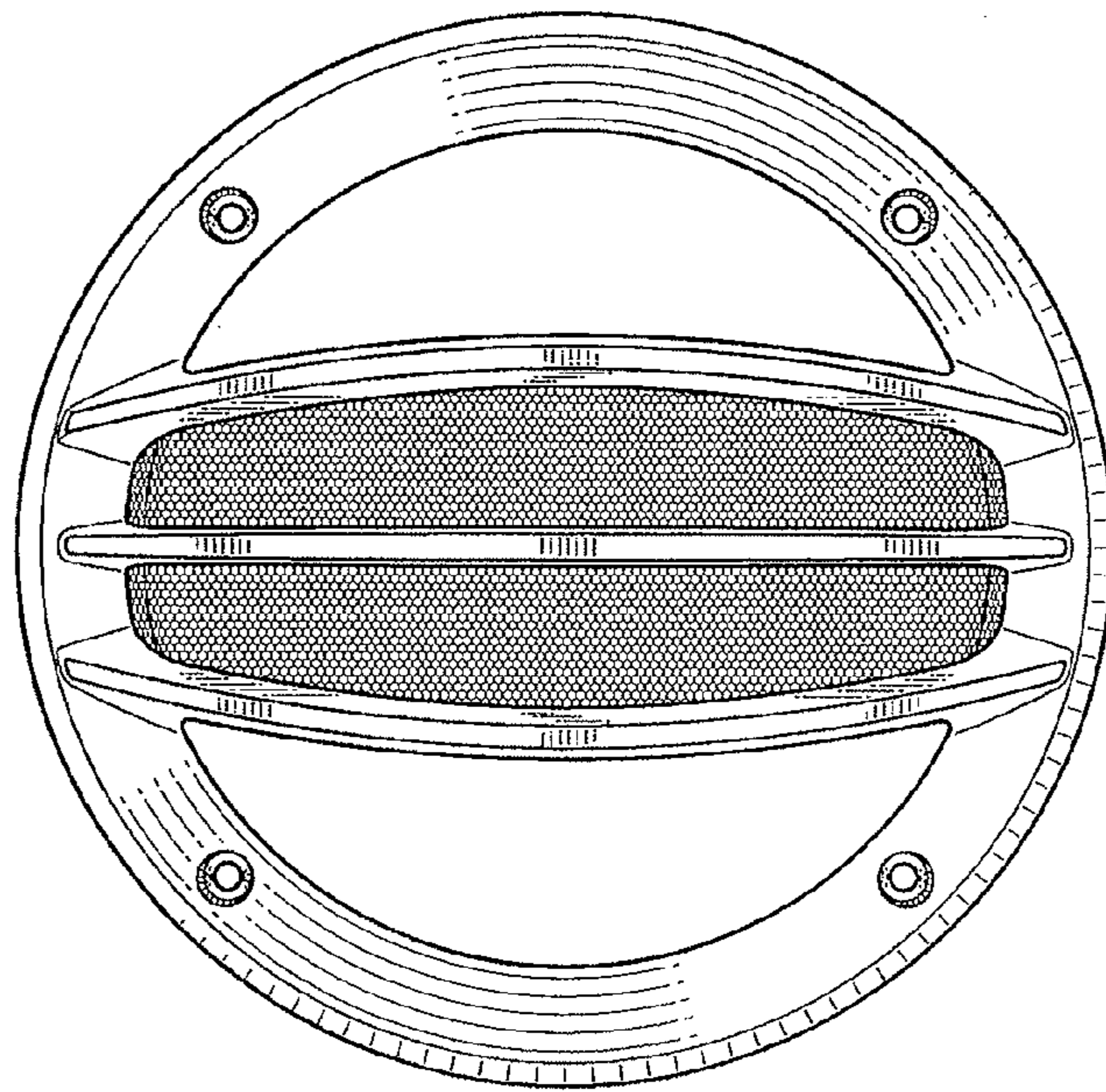


FIG. 2

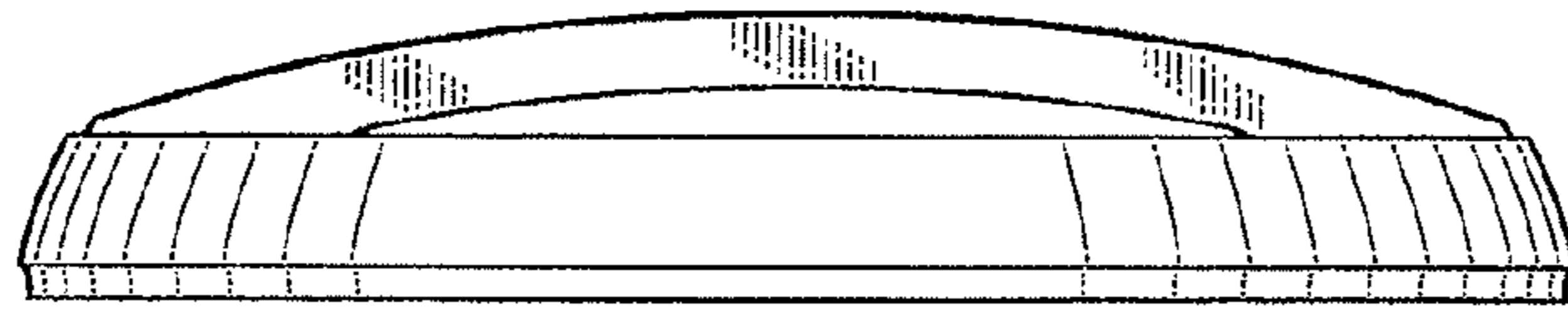


FIG. 5

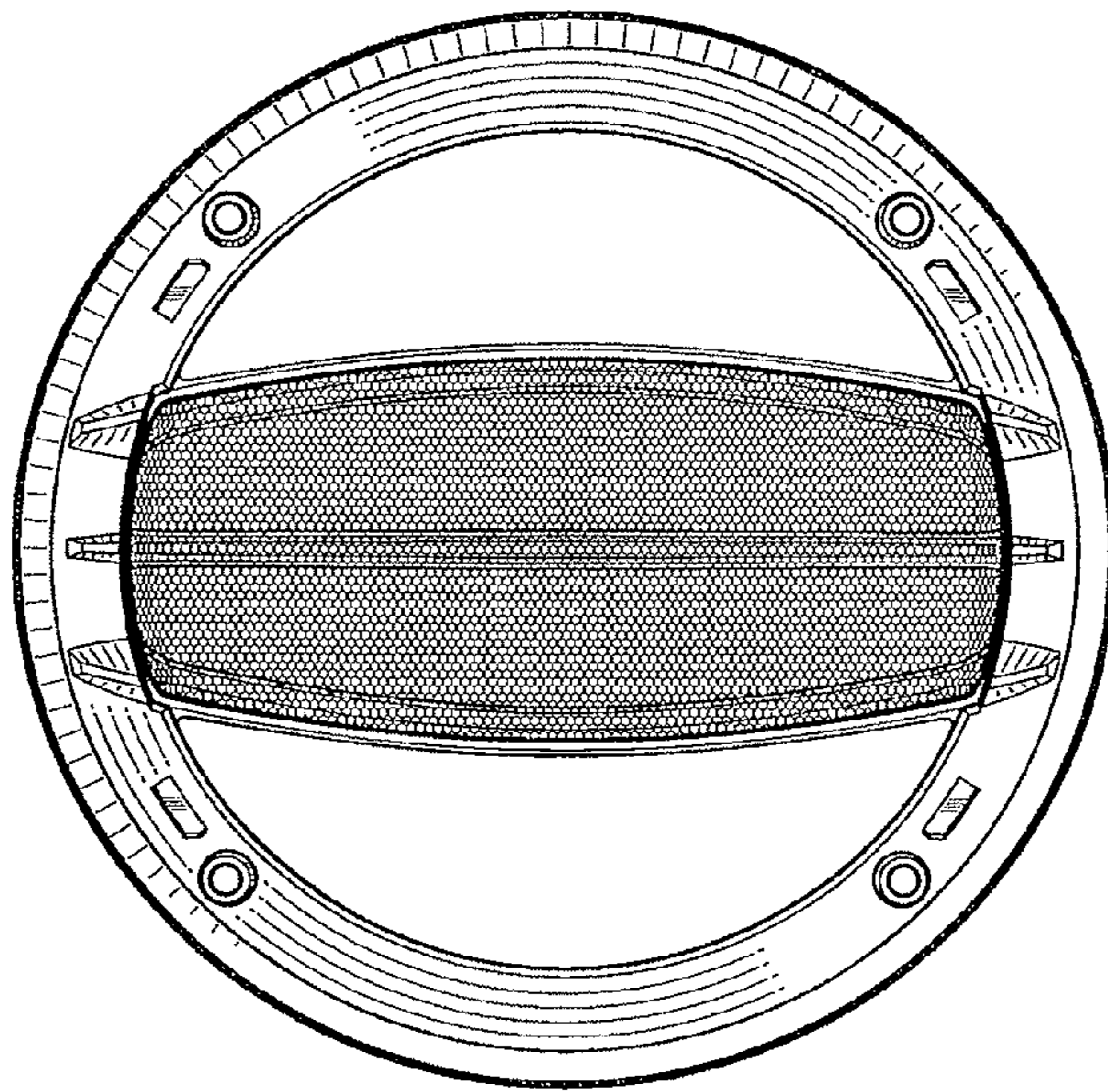


FIG. 3

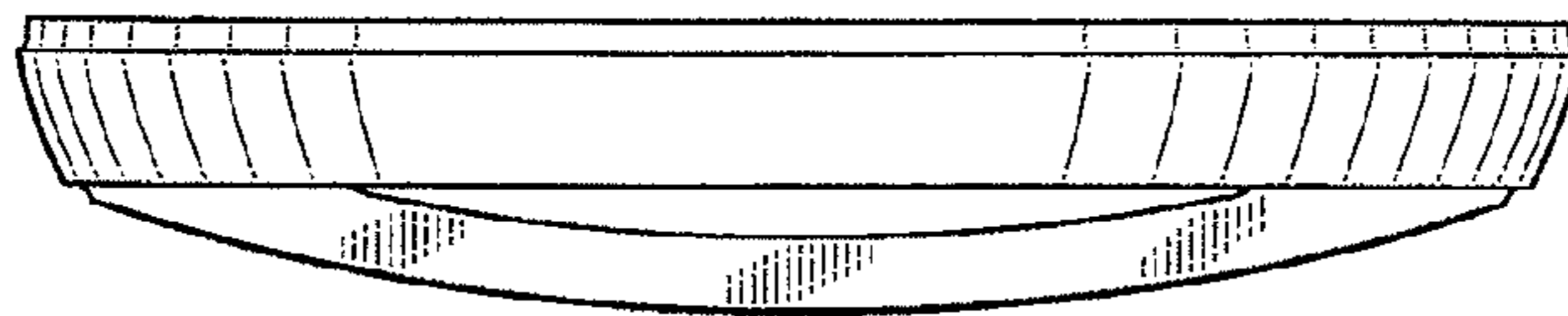


FIG. 4