

US00D676017S

(12) **United States Design Patent**
Chou et al.

(10) **Patent No.:** **US D676,017 S**
(45) **Date of Patent:** **** Feb. 12, 2013**

(54) **BASE FOR WIRELESS TELEPHONE**

(75) Inventors: **Ya-Chyi Chou**, Taoyuan Shien (TW);
Kao-Yu Hsu, New Taipei (TW);
Kang-Wen Lin, New Taipei (TW)

(73) Assignee: **Quanta Computer Inc.**, Taoyuan Shien (TW)

(**) Term: **14 Years**

(21) Appl. No.: **29/406,997**

(22) Filed: **Nov. 22, 2011**

(30) **Foreign Application Priority Data**

Sep. 26, 2011 (TW) 100305086

(51) **LOC (9) Cl.** **14-03**

(52) **U.S. Cl.** **D14/149**

(58) **Field of Classification Search** D14/149,
D14/496, 37, 140, 141.1, 154, 158, 159, 160,
D14/167, 185, 204, 211, 214-216, 171, 225,
D14/242-243, 434, 150, 217, 125, 130-132;
455/550.1; 379/449, 419, 440, 420.01-420.04,
379/202.01, 203.01, 204.01, 205.01, 206.01;
D16/202; 381/300, 332, 333, 345, 361-363,
381/386-387, 336; D13/108

See application file for complete search history.

(56) **References Cited**

U.S. PATENT DOCUMENTS

D442,939 S * 5/2001 Goldenburg D14/191
D477,823 S * 7/2003 Lavello, Sr. D14/253

D554,115 S * 10/2007 Liu et al. D14/253
D554,116 S * 10/2007 Liu et al. D14/253
D558,739 S * 1/2008 Andre et al. D14/217
D576,997 S * 9/2008 Furuno et al. D14/149
D583,358 S * 12/2008 Joseph D14/171
D584,731 S * 1/2009 Montgomery et al. D14/434
D590,770 S * 4/2009 Moss D13/108
D596,621 S * 7/2009 Andre et al. D14/217
D608,351 S * 1/2010 Song D14/217
D642,519 S * 8/2011 Woo et al. D13/108
D643,398 S * 8/2011 Zakarias et al. D14/148
D662,491 S * 6/2012 Andre et al. D14/217

* cited by examiner

Primary Examiner — Sheryl Lane

(74) *Attorney, Agent, or Firm* — Rabin & Berdo, P.C.

(57) **CLAIM**

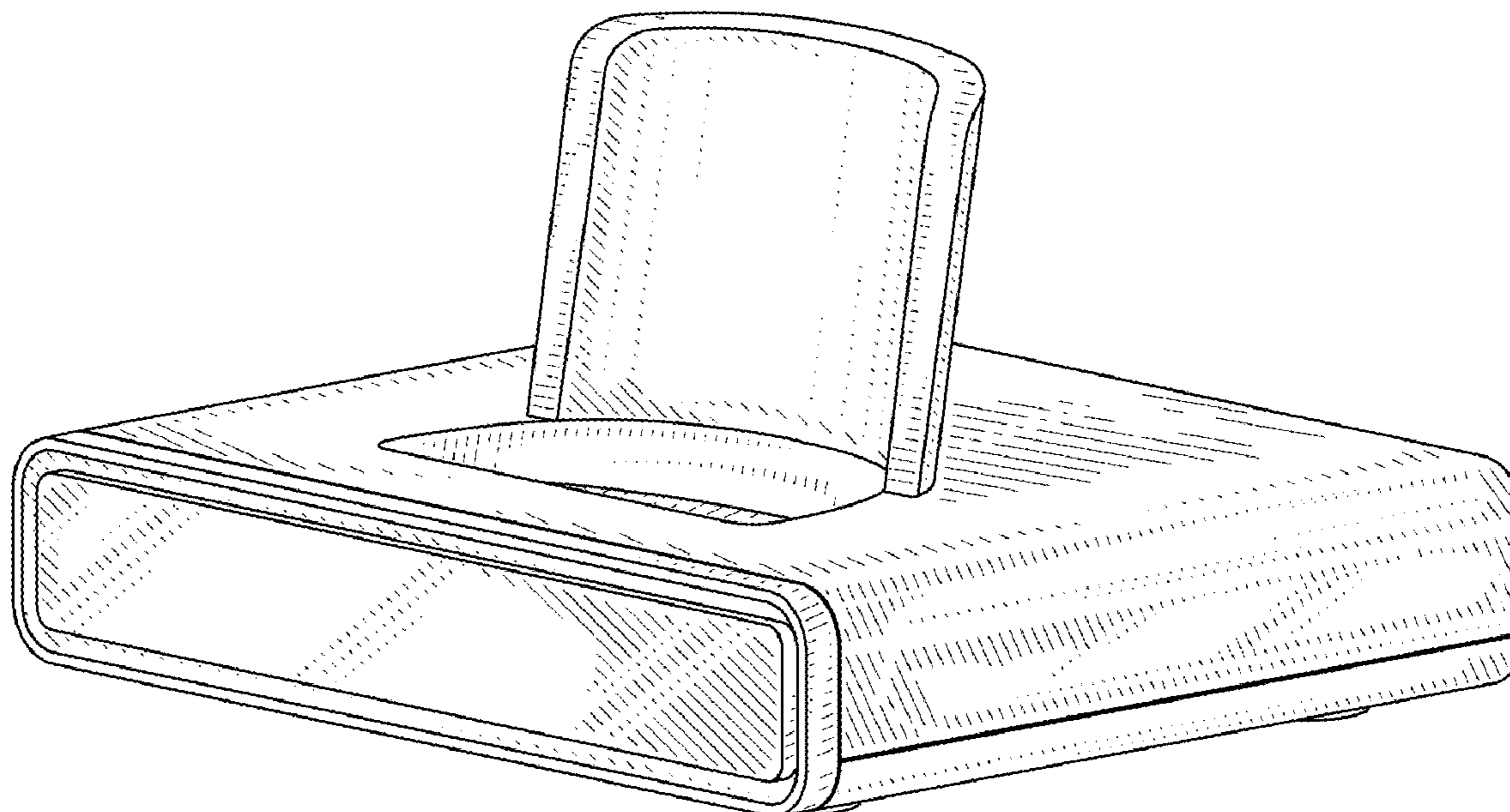
The ornamental design for a base for wireless telephone, as shown.

DESCRIPTION

FIG. 1 is a perspective view of a base for wireless telephone showing our new design;
FIG. 2 is a front view thereof;
FIG. 3 is a rear view thereof;
FIG. 4 is a left side view thereof;
FIG. 5 is a right side view thereof;
FIG. 6 is a top view thereof; and,
FIG. 7 is a bottom view thereof.

The portion of the article shown in broken lines forms no part of the claimed design.

1 Claim, 4 Drawing Sheets



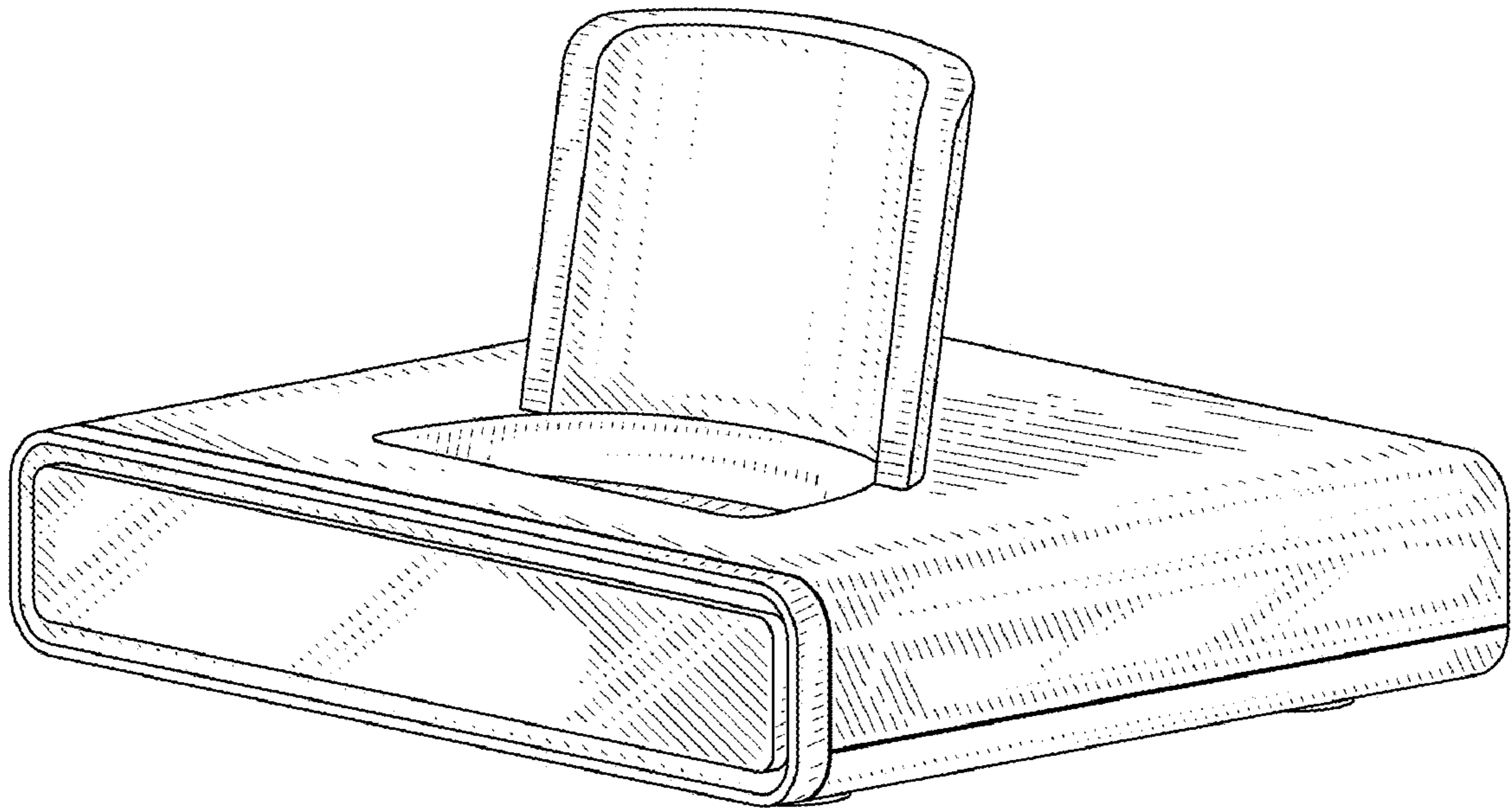


FIG. 1

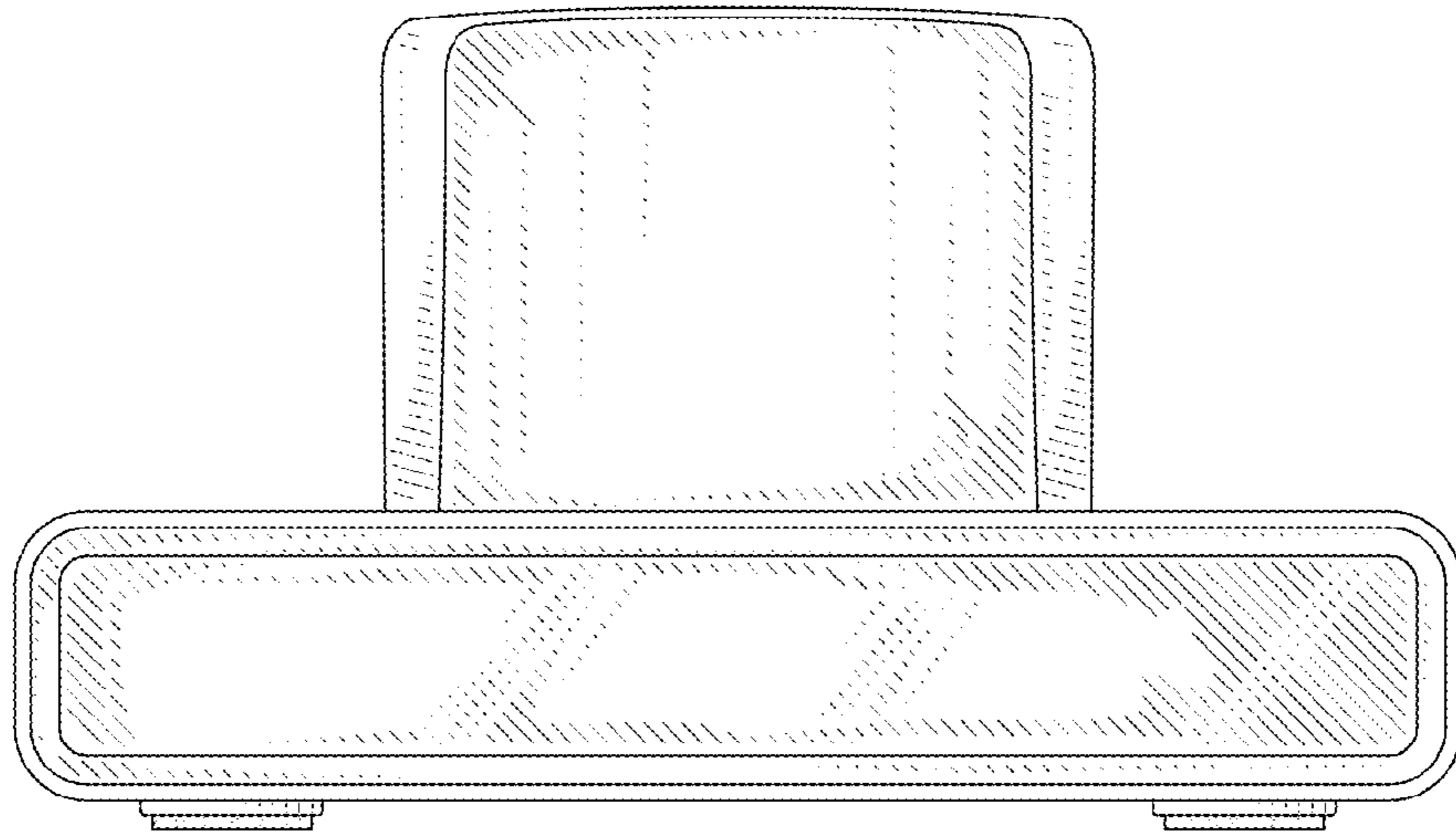


FIG. 2

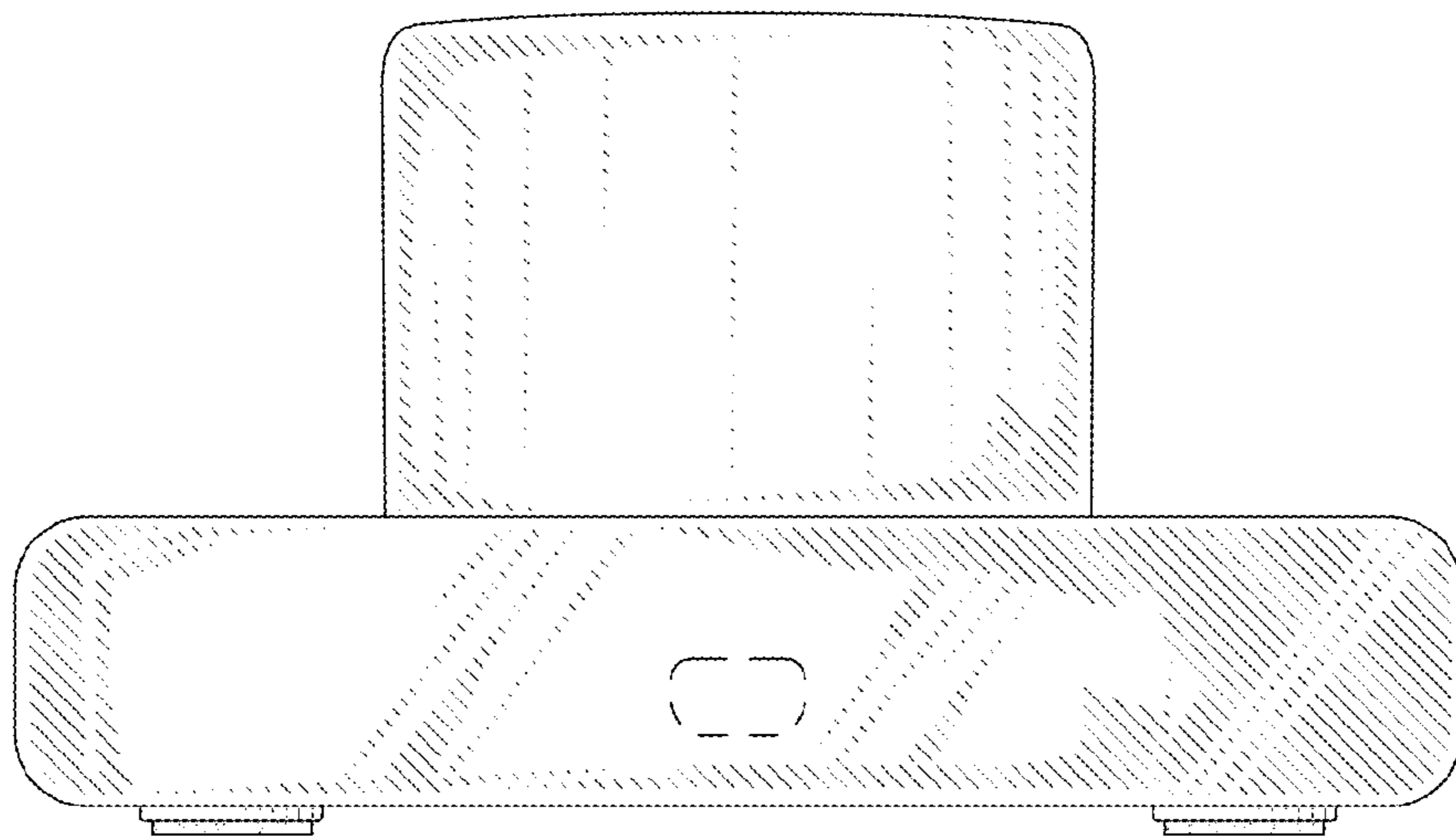


FIG. 3

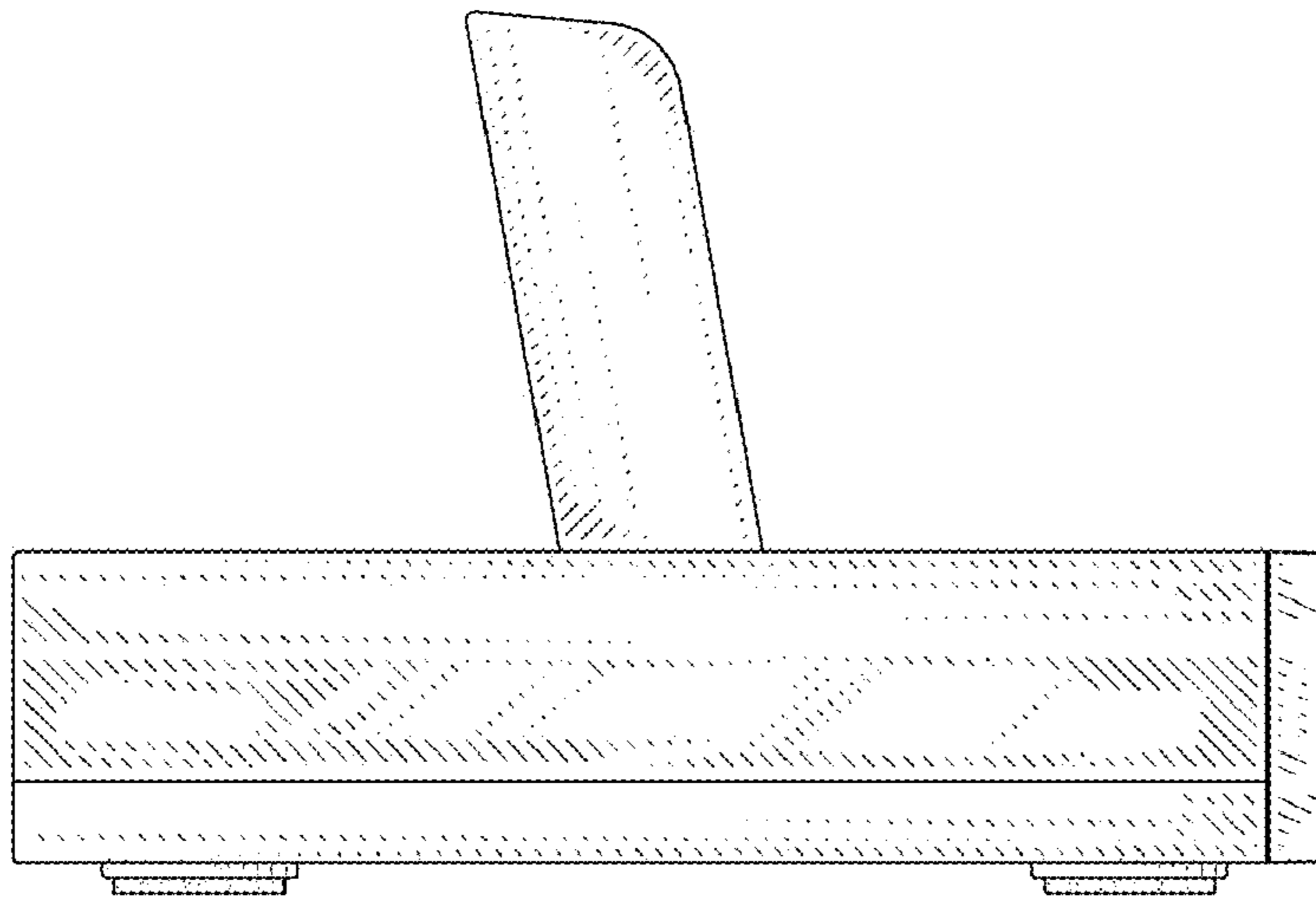


FIG. 4

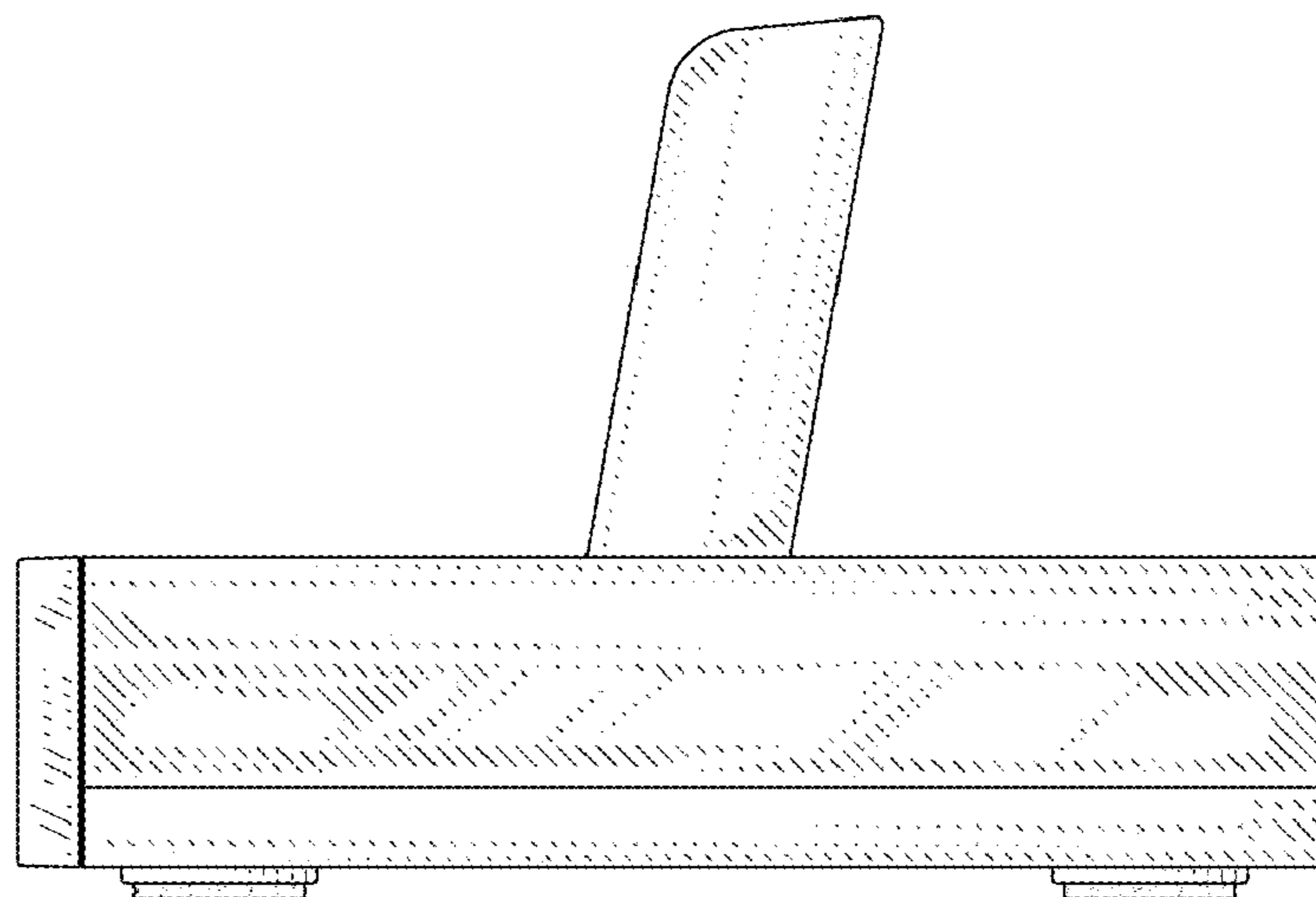


FIG. 5

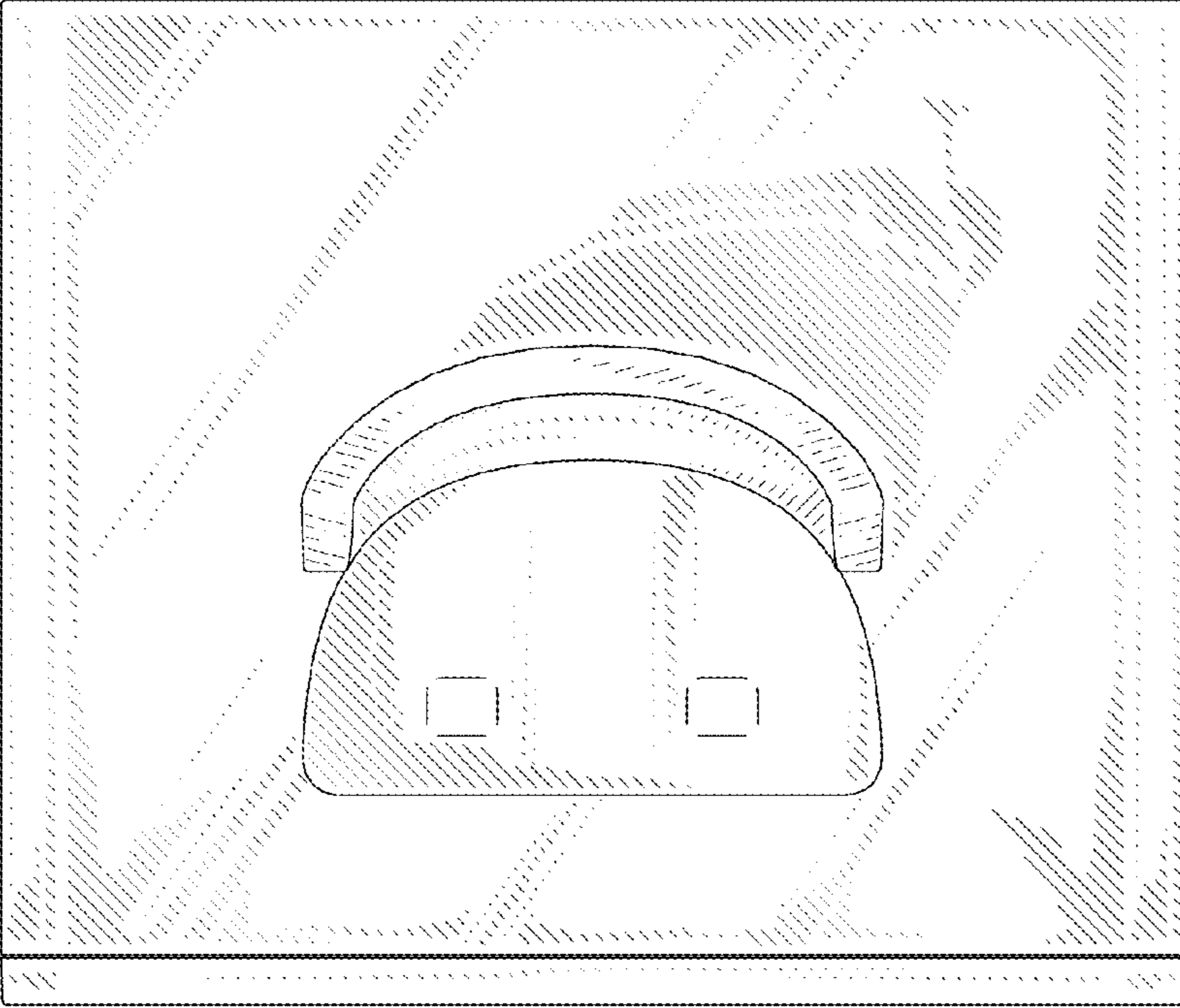


FIG. 6

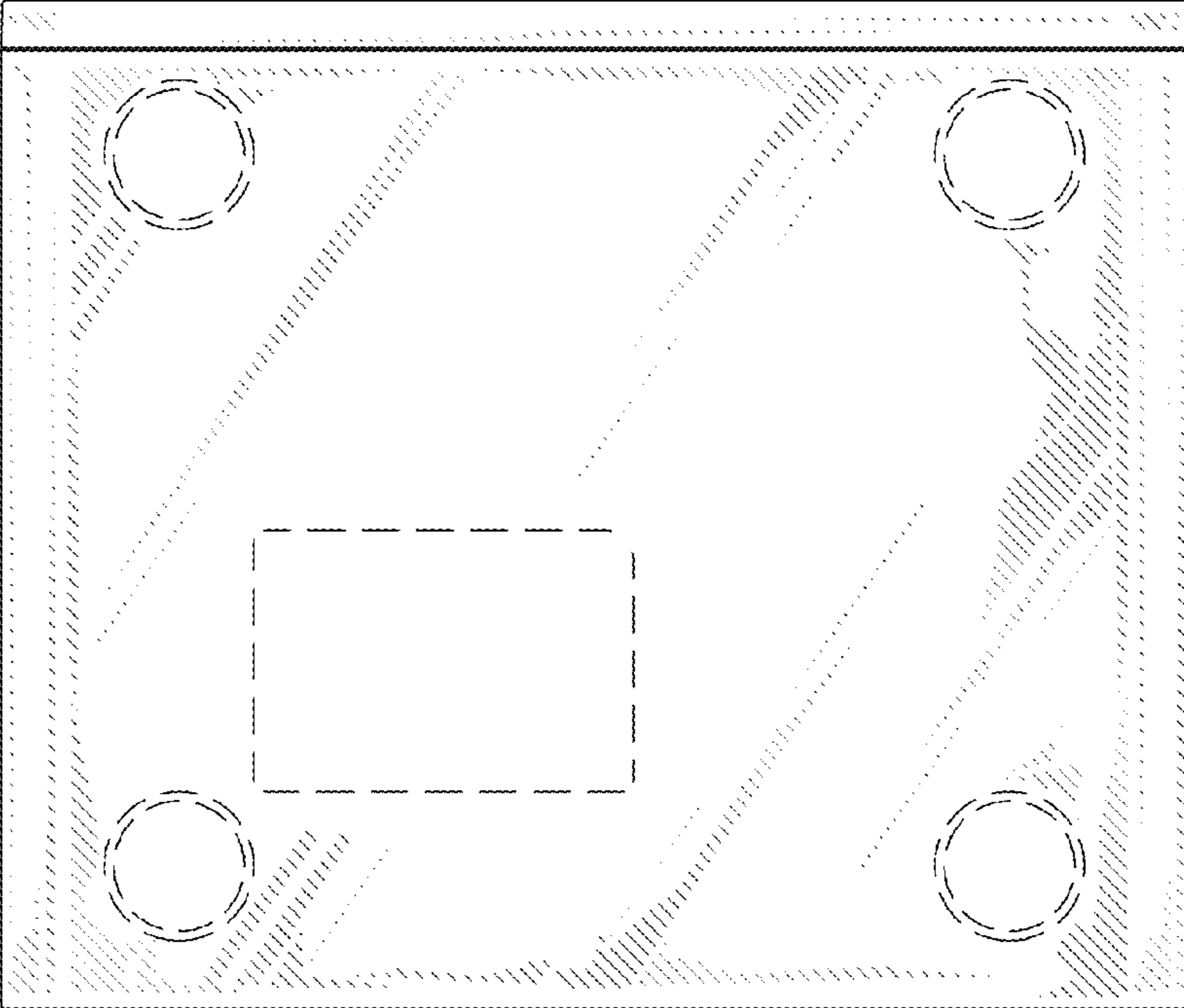


FIG. 7