



US00D676016S

(12) **United States Design Patent**  
**Akatsu et al.**

(10) **Patent No.:** **US D676,016 S**  
(45) **Date of Patent:** **\*\* Feb. 12, 2013**

(54) **PORTION OF A TELEPHONE**

D457,869 S \* 5/2002 Narita ..... D14/150  
D576,998 S \* 9/2008 Furuno ..... D14/151  
D613,724 S \* 4/2010 Kao et al. .... D14/151

(75) Inventors: **Masafuku Akatsu**, Kawasaki (JP);  
**Eiichi Taniguchi**, Kawasaki (JP);  
**Tadamine Toh**, Kawasaki (JP); **Jun**  
**Tamatsu**, Kawasaki (JP); **Naoki Ozawa**,  
Tokyo (JP)

\* cited by examiner

*Primary Examiner* — Sheryl Lane  
(74) *Attorney, Agent, or Firm* — Buchanan Ingersoll &  
Rooney PC

(73) Assignee: **NEC Infrontia Corporation**,  
Kawasaki-Shi, Kanagawa (JP)

(57) **CLAIM**

(\*\*) Term: **14 Years**

The ornamental design for a portion of a telephone, as shown  
and described.

(21) Appl. No.: **29/403,976**

**DESCRIPTION**

(22) Filed: **Oct. 13, 2011**

(51) **LOC (9) Cl.** ..... **14-03**

(52) **U.S. Cl.** ..... **D14/142**

(58) **Field of Classification Search** ..... D14/147,  
D14/148, 149, 138 R, 138 AA, 138 AD, 138 G,  
D14/191, 203.1–203.8, 496, 137, 218, 341–347,  
D14/247–248, 144, 150–151, 240, 243, 140–142;  
455/566, 575.1, 575.3, 575.4; 345/168, 169,  
345/167

FIG. 1 is a front, right side, top perspective view of a portion  
of a telephone showing our new design;  
FIG. 2 is a front elevational view thereof;  
FIG. 3 is a rear elevational view thereof;  
FIG. 4 is a left side view thereof;  
FIG. 5 is a right side view thereof;  
FIG. 6 is a top plan view thereof;  
FIG. 7 is a bottom plan view thereof;  
FIG. 8 is a reference perspective view thereof showing a used  
state; and,  
FIG. 9 is a reference reduced scale perspective view thereof  
showing a state in which a cradle part is extended.  
The broken lines represent portions of the article and form no  
part of the claimed design.

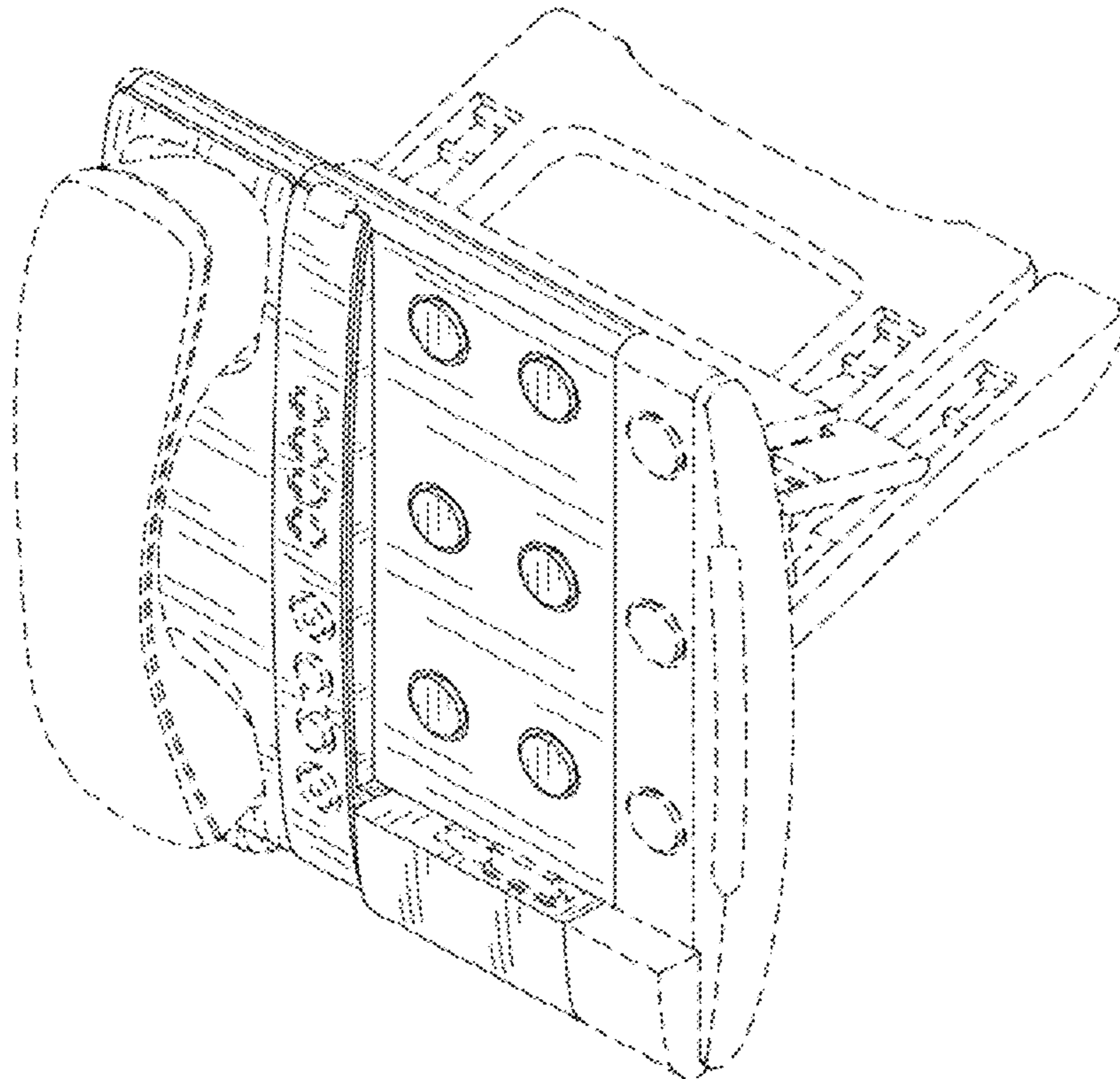
See application file for complete search history.

(56) **References Cited**

U.S. PATENT DOCUMENTS

D421,751 S \* 3/2000 Chan ..... D14/151  
D423,003 S \* 4/2000 Chan ..... D14/151

**1 Claim, 9 Drawing Sheets**



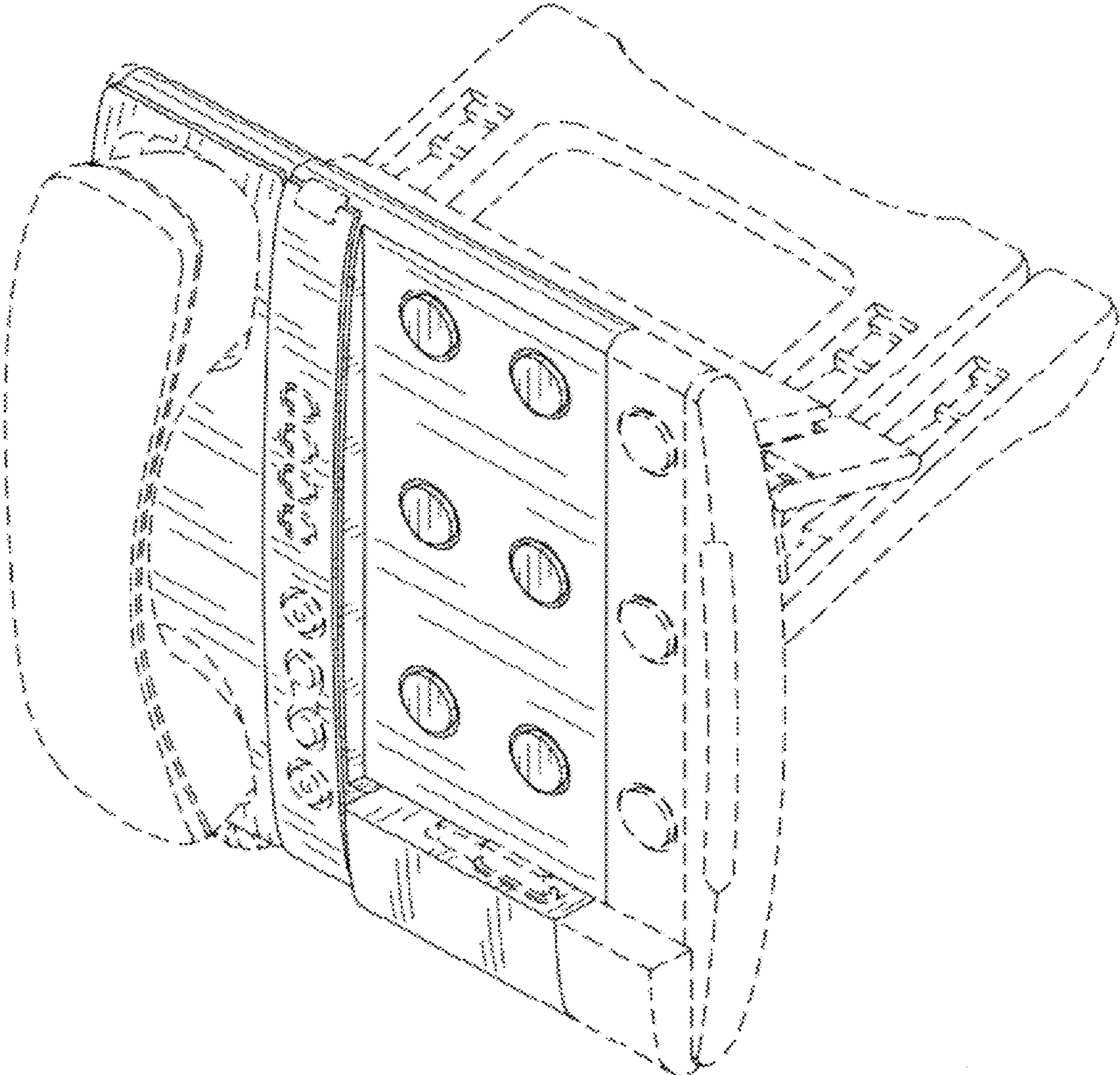


FIG. 1

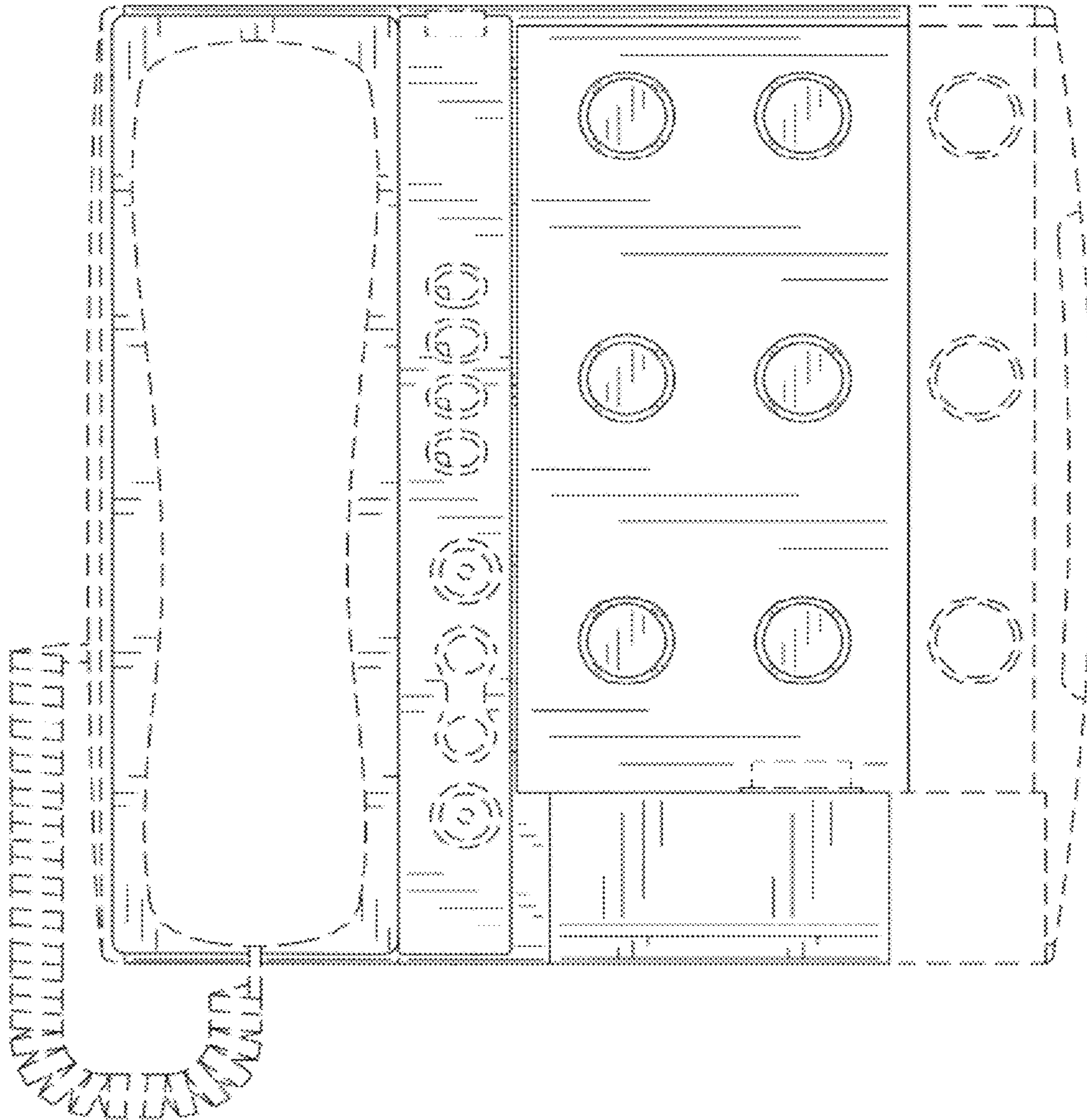


FIG. 2

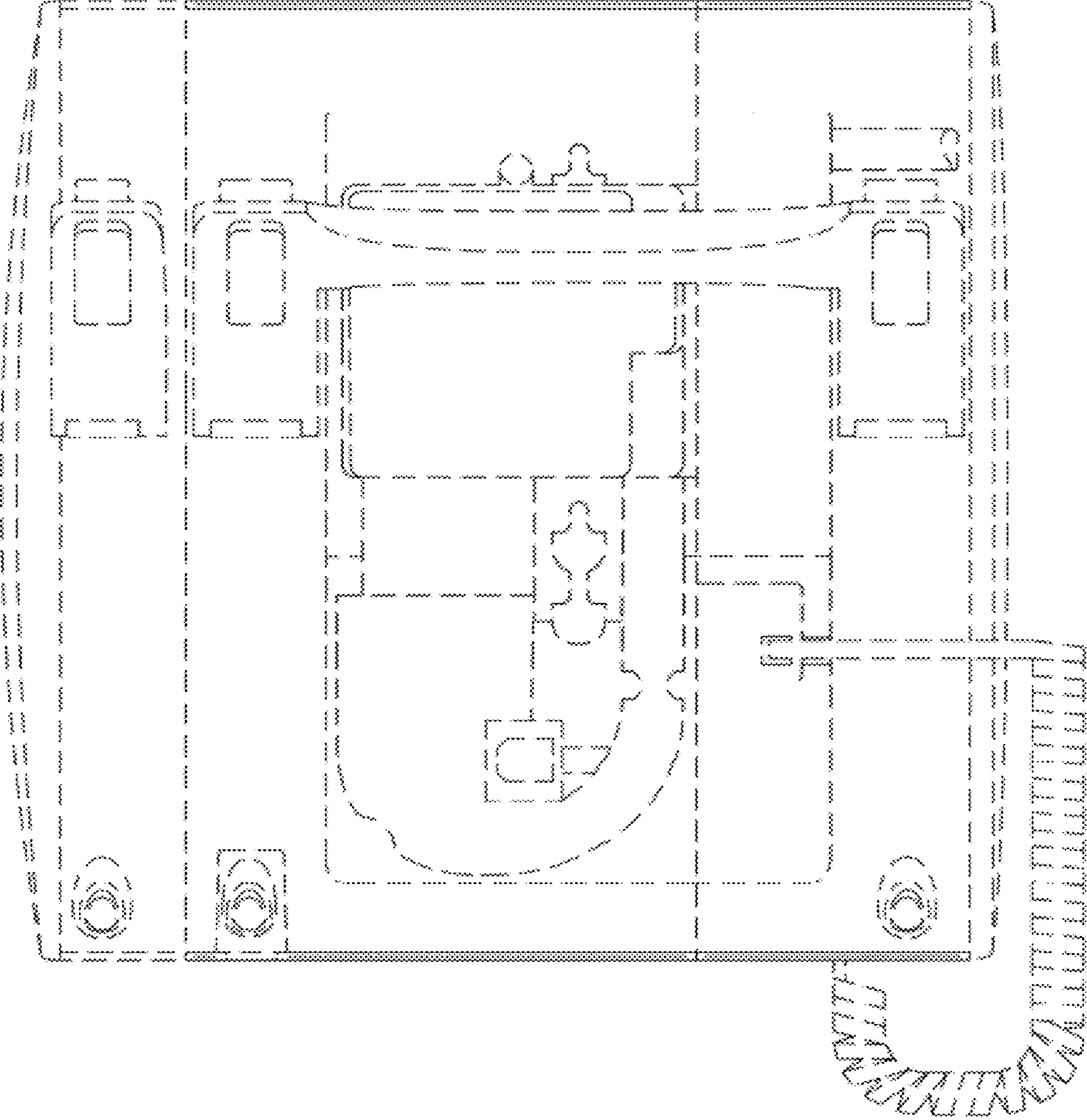


FIG. 3

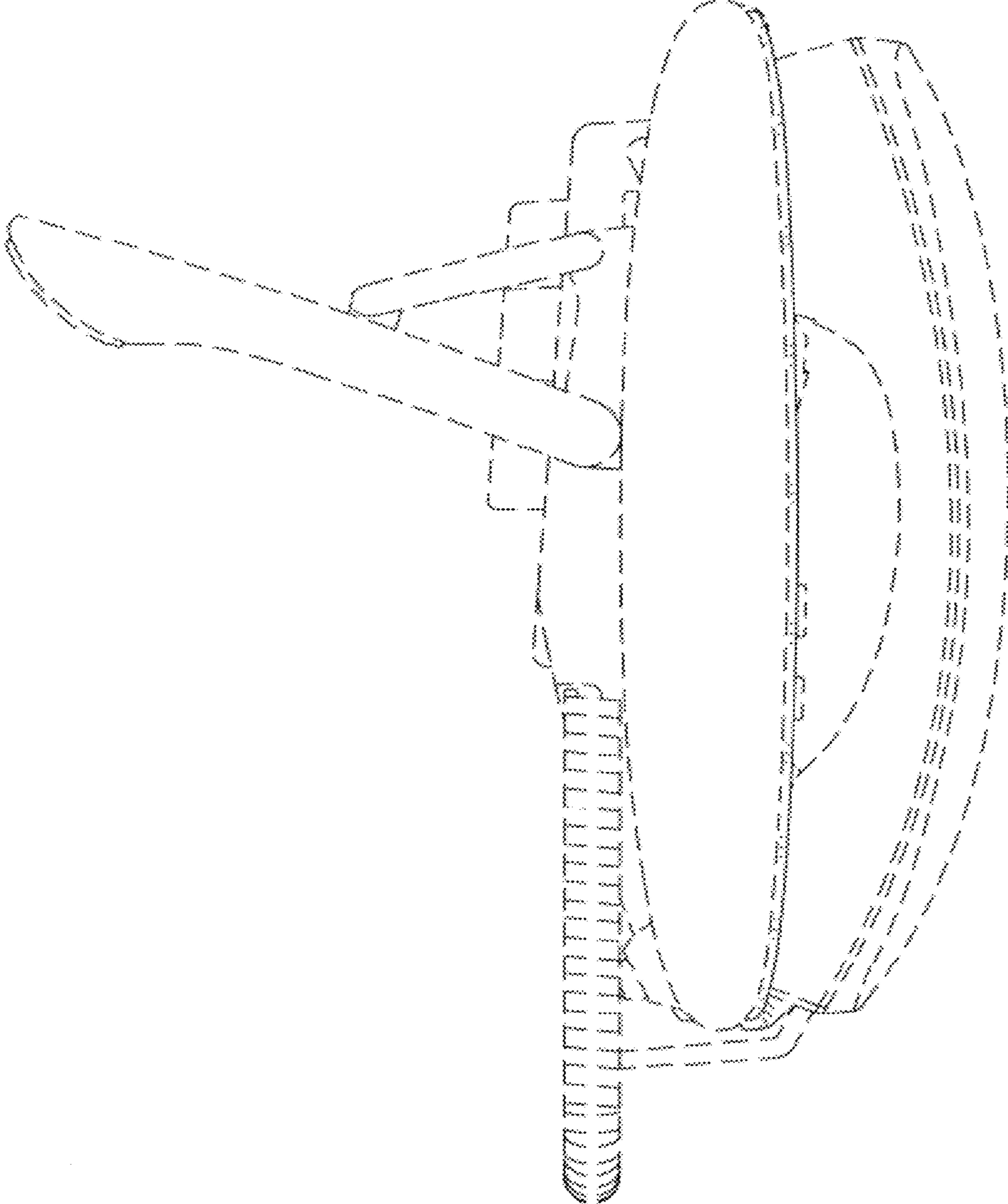


FIG.4

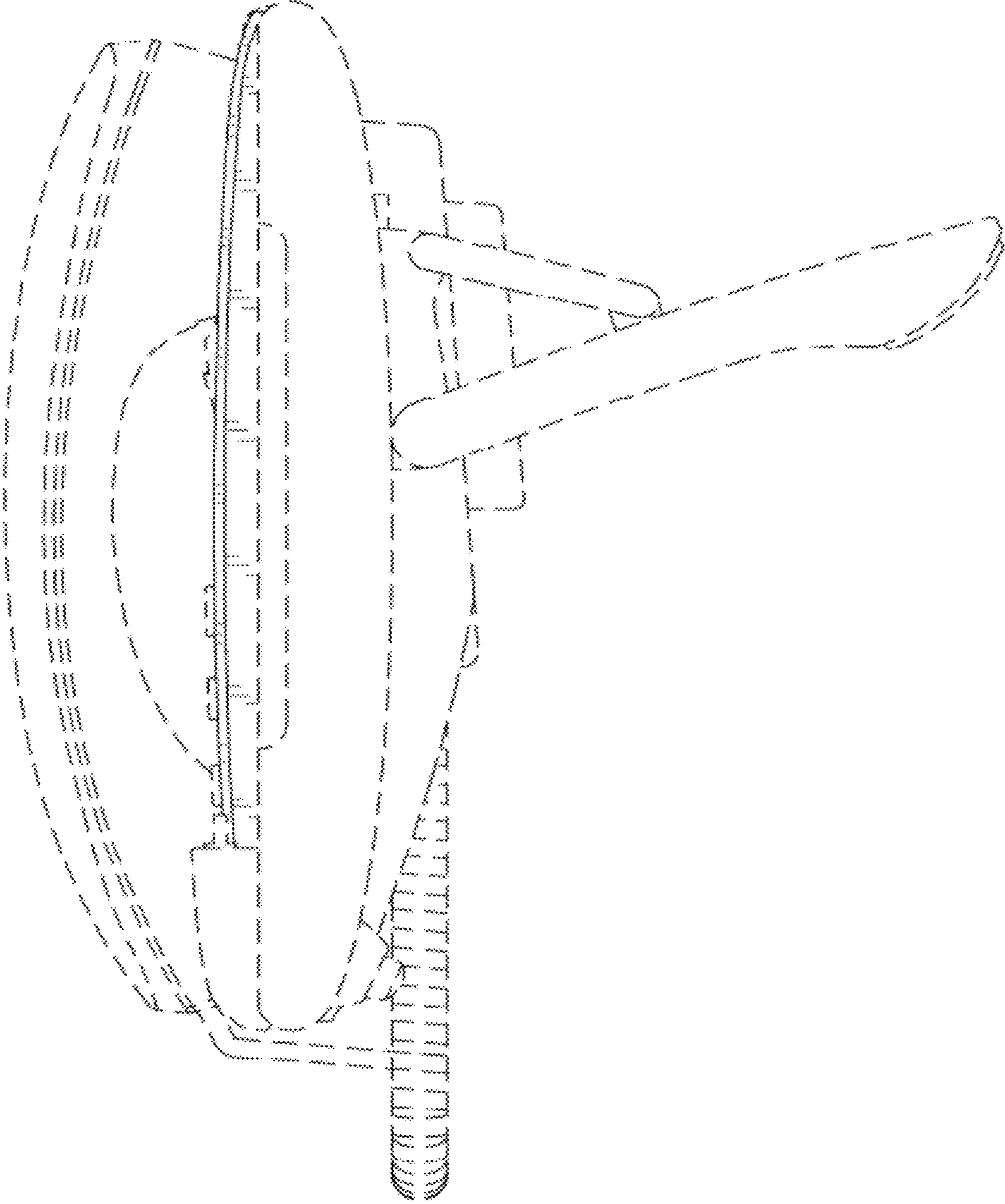


FIG.5

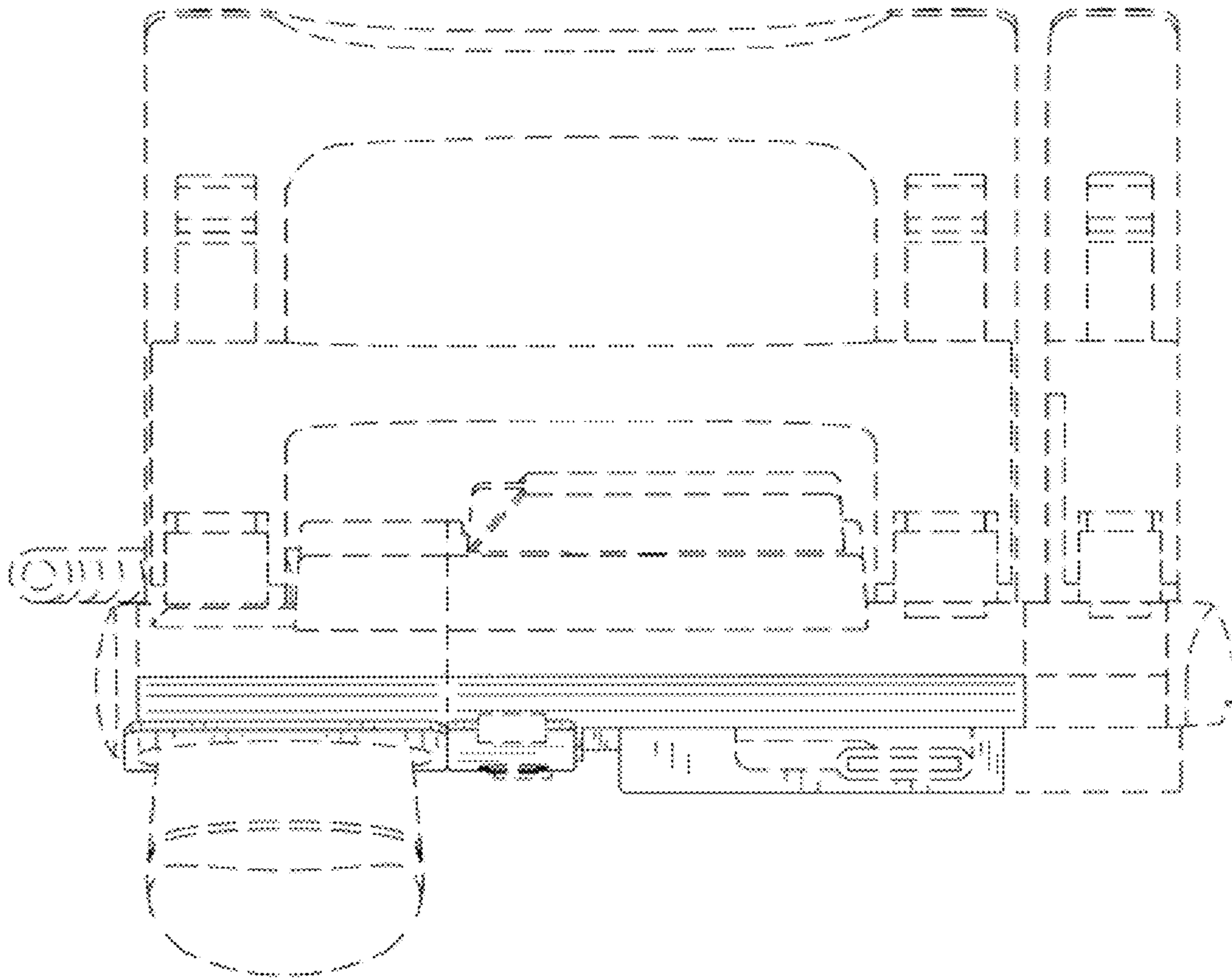


FIG.6

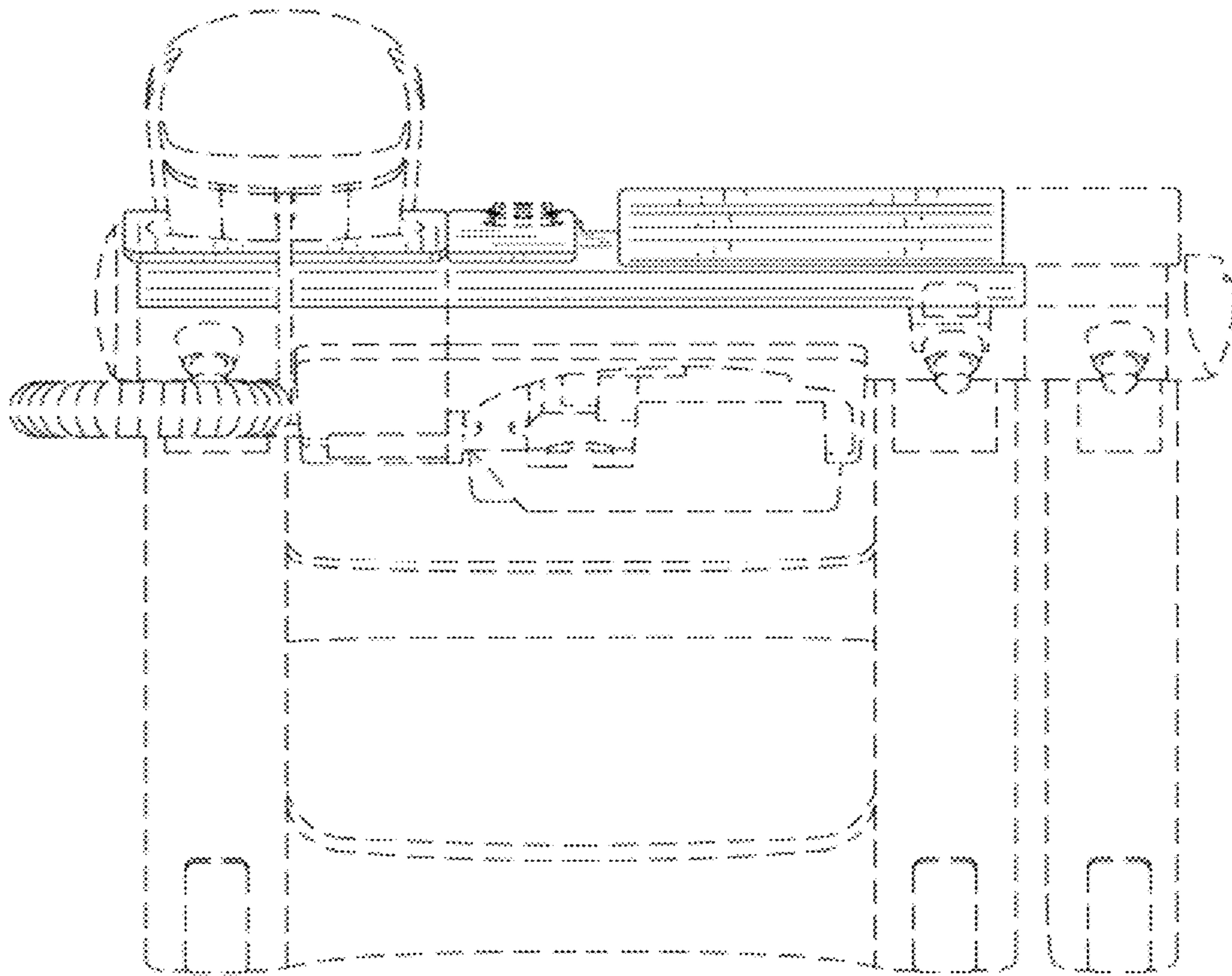


FIG. 7



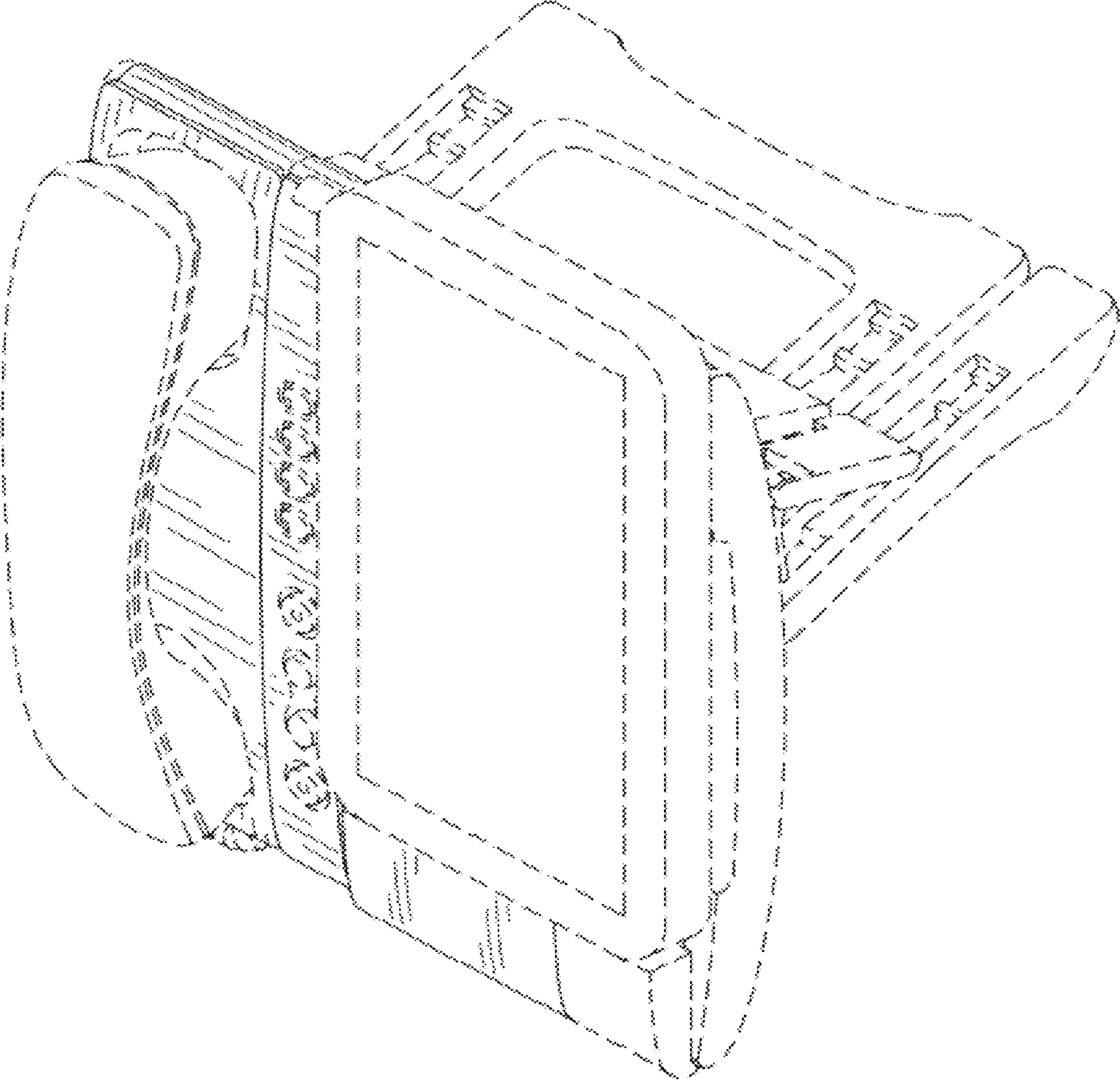


FIG.8

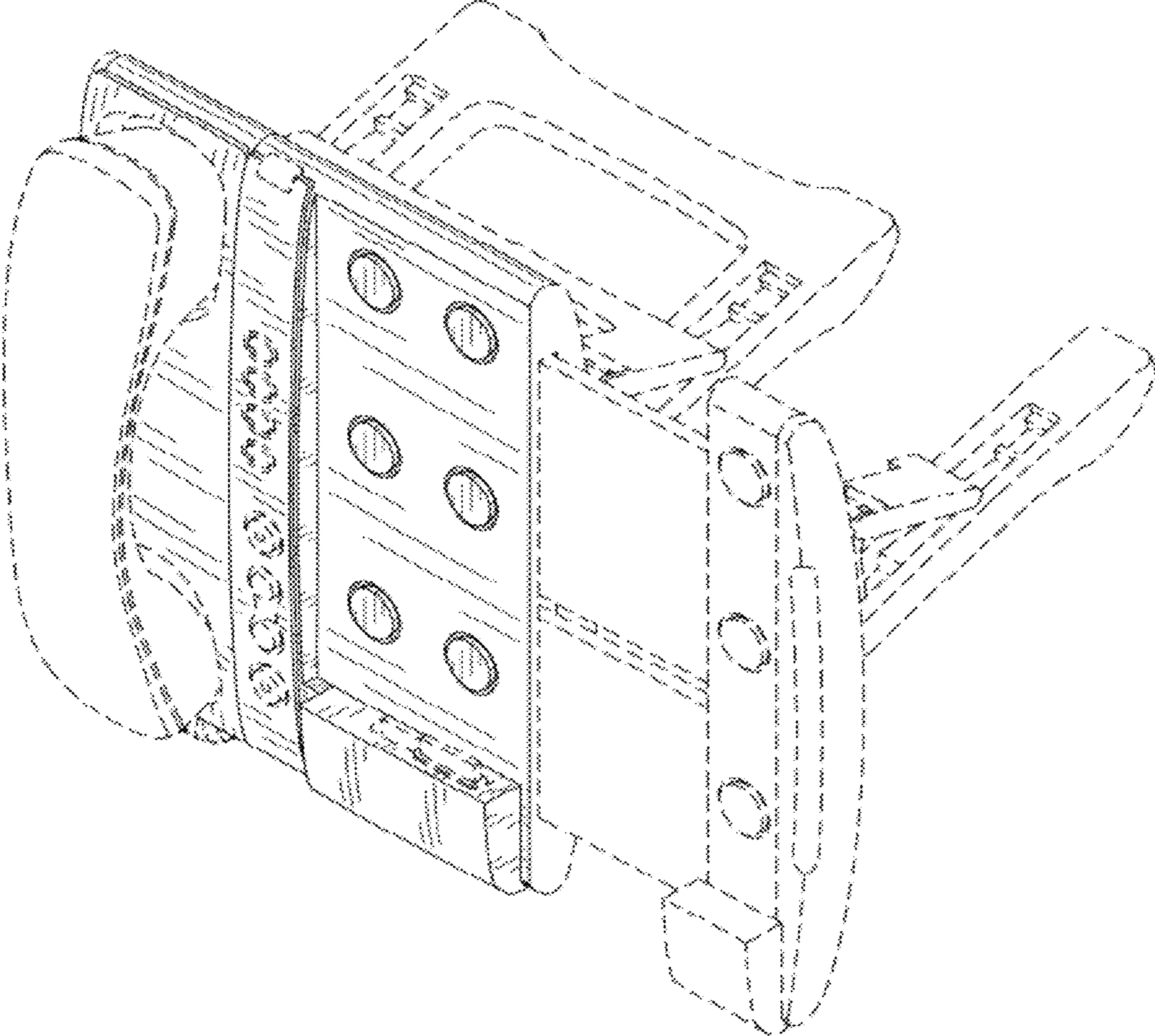


FIG.9