



US00D676007S

(12) **United States Design Patent**
McCrary

(10) **Patent No.:** **US D676,007 S**

(45) **Date of Patent:** **** Feb. 12, 2013**

(54) **WRISTBAND MOUNTED TELEVISION**

(76) Inventor: **Jacquelyn McCrary**, West Palm Beach,
FL (US)

(**) Term: **14 Years**

(21) Appl. No.: **29/411,071**

(22) Filed: **Jan. 17, 2012**

(51) **LOC (9) Cl.** **14-03**

(52) **U.S. Cl.** **D14/126**

(58) **Field of Classification Search** D14/125-134,
D14/239, 371, 136, 374-377, 440, 450, 448,
D14/336, 342, 496, 155, 160-173; 312/7.2;
348/836, 838, 180, 184, 325, 739; 341/12;
248/917-924, 465; 345/104, 133, 156, 168,
345/87, 173; 720/605, 669, 600, 655; 369/99,
369/197; D21/329, 515, 577, 622, 333, 433,
D21/448, 452, 450, 331; D6/477, 479, 300;
273/148 B; 446/484, 175, 356; D10/15,
D10/26

See application file for complete search history.

(56) **References Cited**

U.S. PATENT DOCUMENTS

4,079,413 A 3/1978 Yamashita
4,646,157 A 2/1987 Wakai
4,668,100 A * 5/1987 Murakami et al. 368/10
4,722,625 A * 2/1988 O'Brien 401/6

D299,463 S * 1/1989 Hermann D14/344
4,864,658 A 9/1989 Russell
4,901,291 A 2/1990 Kurata
4,954,817 A 9/1990 Levine
D359,700 S * 6/1995 Abrams D10/104.2
D365,550 S * 12/1995 Houlihan D14/344
D383,985 S * 9/1997 Davenport D10/31
D457,503 S * 5/2002 Butler, Jr. D14/126
6,513,532 B2 * 2/2003 Mault et al. 600/595
D528,439 S * 9/2006 Burton D10/32
7,230,519 B2 * 6/2007 Coughlin et al. 340/5.82
D572,266 S * 7/2008 Anderson et al. D14/496
D616,417 S * 5/2010 Liao D14/203.5
8,050,716 B2 * 11/2011 Shin et al. 455/558

* cited by examiner

Primary Examiner — Raphael Barkai
Assistant Examiner — Randall Gholson

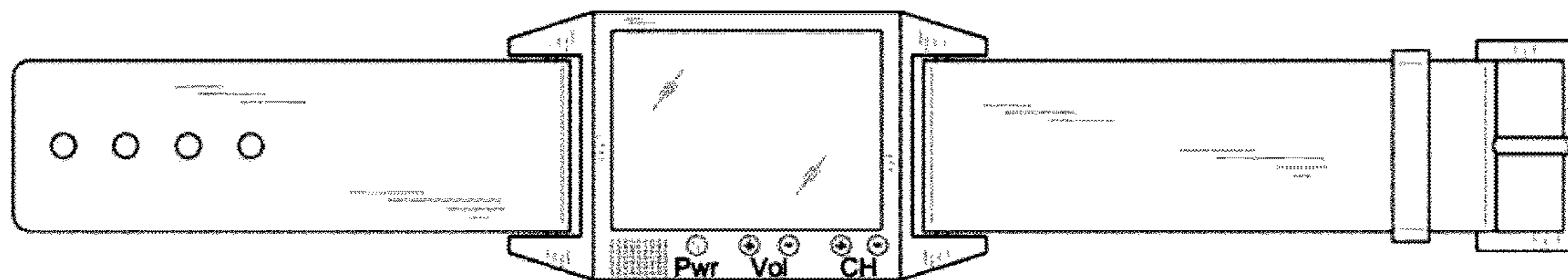
(57) **CLAIM**

I claim the ornamental design for the wristband mounted television, as shown and described.

DESCRIPTION

FIG. 1 is a front view of the wristband mounted television.
FIG. 2 is a rear view of the claimed design.
FIG. 3 is a left end view of the claimed design.
FIG. 4 is a right end view of the claimed design.
FIG. 5 is a top view of the claimed design.
FIG. 6 is a bottom view of the claimed design; and,
FIG. 7 is an isometric view of the claimed design.

1 Claim, 3 Drawing Sheets



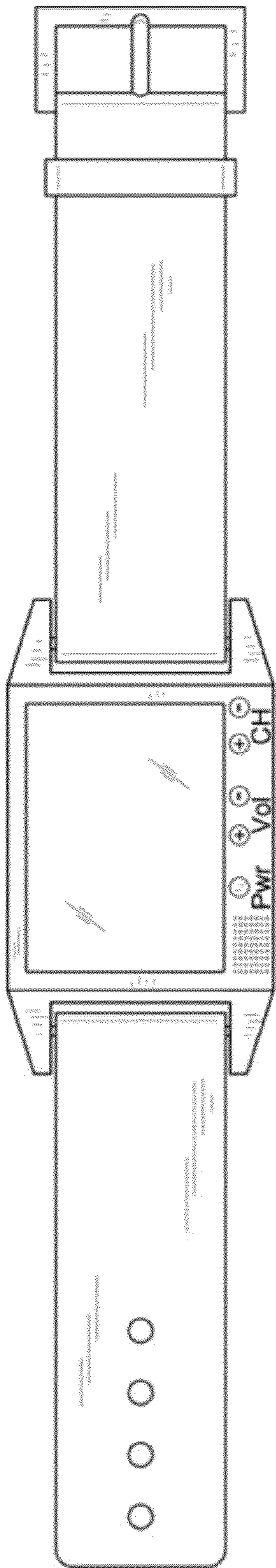


FIG. 1

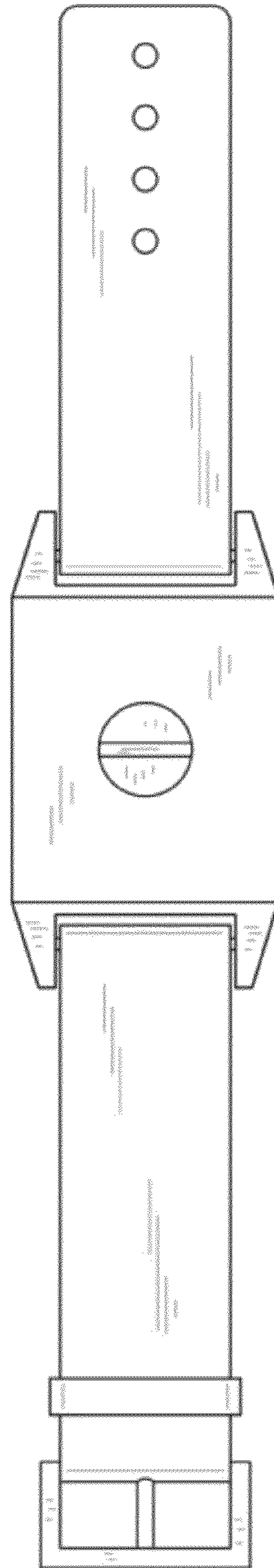


FIG. 2



FIG. 3

FIG. 4

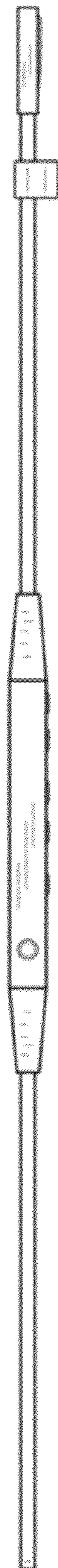


FIG. 5



FIG. 6

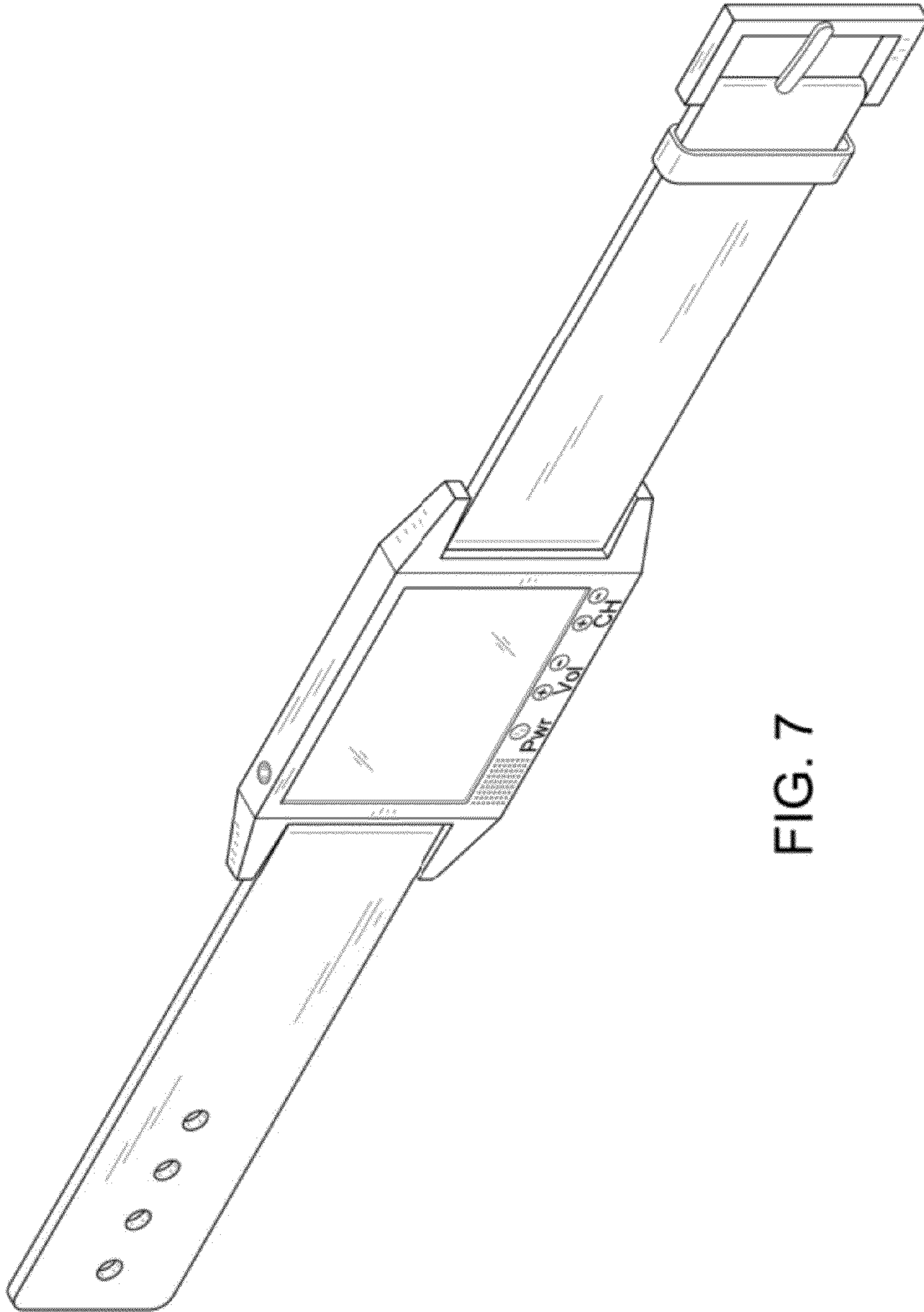


FIG. 7