



US00D676005S

(12) **United States Design Patent**
Wood et al.

(10) **Patent No.:** **US D676,005 S**
(45) **Date of Patent:** **** Feb. 12, 2013**

(54) **SET TOP BOX**

(56) **References Cited**

(75) Inventors: **Anthony Wood**, Palo Alto, CA (US);
Charles Seiber, Portola Valley, CA
(US); **Wendy M. Abowd**, Santa Cruz,
CA (US)

(73) Assignee: **Roku, Inc.**, Saratoga, CA (US)

(**) Term: **14 Years**

(21) Appl. No.: **29/425,373**

(22) Filed: **Jun. 21, 2012**

Related U.S. Application Data

(63) Continuation-in-part of application No. 29/397,167,
filed on Jul. 12, 2011.

(51) **LOC (9) Cl.** **14-03**

(52) **U.S. Cl.** **D14/125**

(58) **Field of Classification Search** D14/125-134,
D14/168, 188, 197, 198, 371, 374-377; 312/7.1,
312/7.2; 348/836, 838, 180, 184, 325, 739;
341/12; 349/58; 720/600, 619, 646, 647,
720/655; 455/347-351; 369/75.11, 75.21

See application file for complete search history.

U.S. PATENT DOCUMENTS

D601,583 S *	10/2009	Andre et al.	D14/496
D618,676 S *	6/2010	Hui et al.	D14/300
D619,140 S *	7/2010	Sin et al.	D14/480.6
D620,953 S *	8/2010	Andre et al.	D14/496
D624,912 S *	10/2010	Chen et al.	D14/356
D630,505 S *	1/2011	Westemeyer et al.	D9/426
D632,290 S *	2/2011	Jeon et al.	D14/356
D640,646 S *	6/2011	Wu et al.	D14/125
D641,327 S *	7/2011	Falakfarsa et al.	D14/125
D641,363 S *	7/2011	Dublin	D14/356

* cited by examiner

Primary Examiner — Raphael Barkai
Assistant Examiner — Randall Gholson
(74) *Attorney, Agent, or Firm* — Cooley LLP

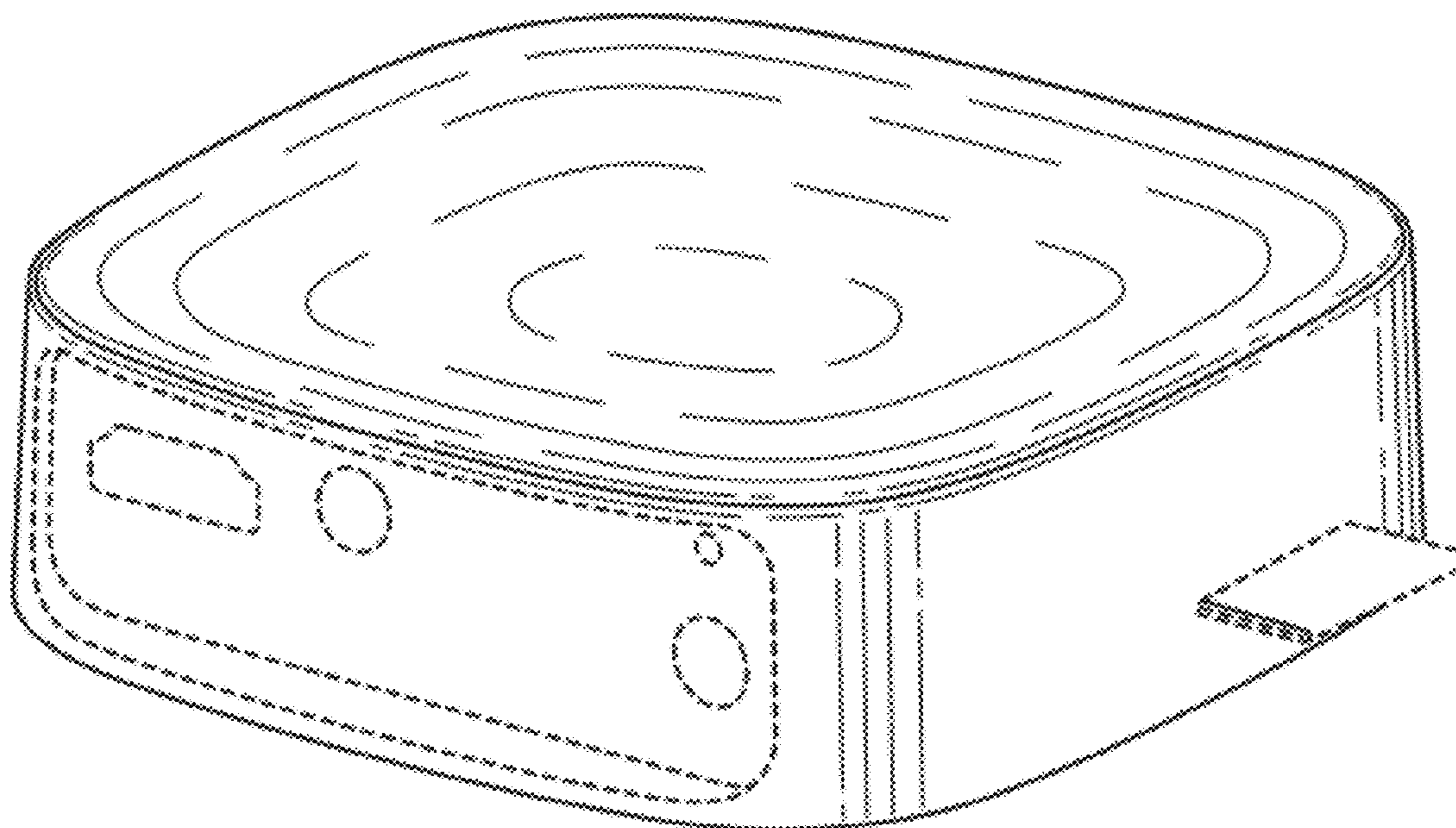
(57) **CLAIM**

The ornamental design for an set top box, as shown and described.

DESCRIPTION

FIG. 1 is a rear perspective view of my set top box design in accordance with an embodiment of the invention;
FIG. 2 is a front view thereof;
FIG. 3 is a rear view thereof;
FIG. 4 is a left side view thereof;
FIG. 5 is a right side views thereof; and,
FIG. 6 is a top plan view thereof.

1 Claim, 4 Drawing Sheets



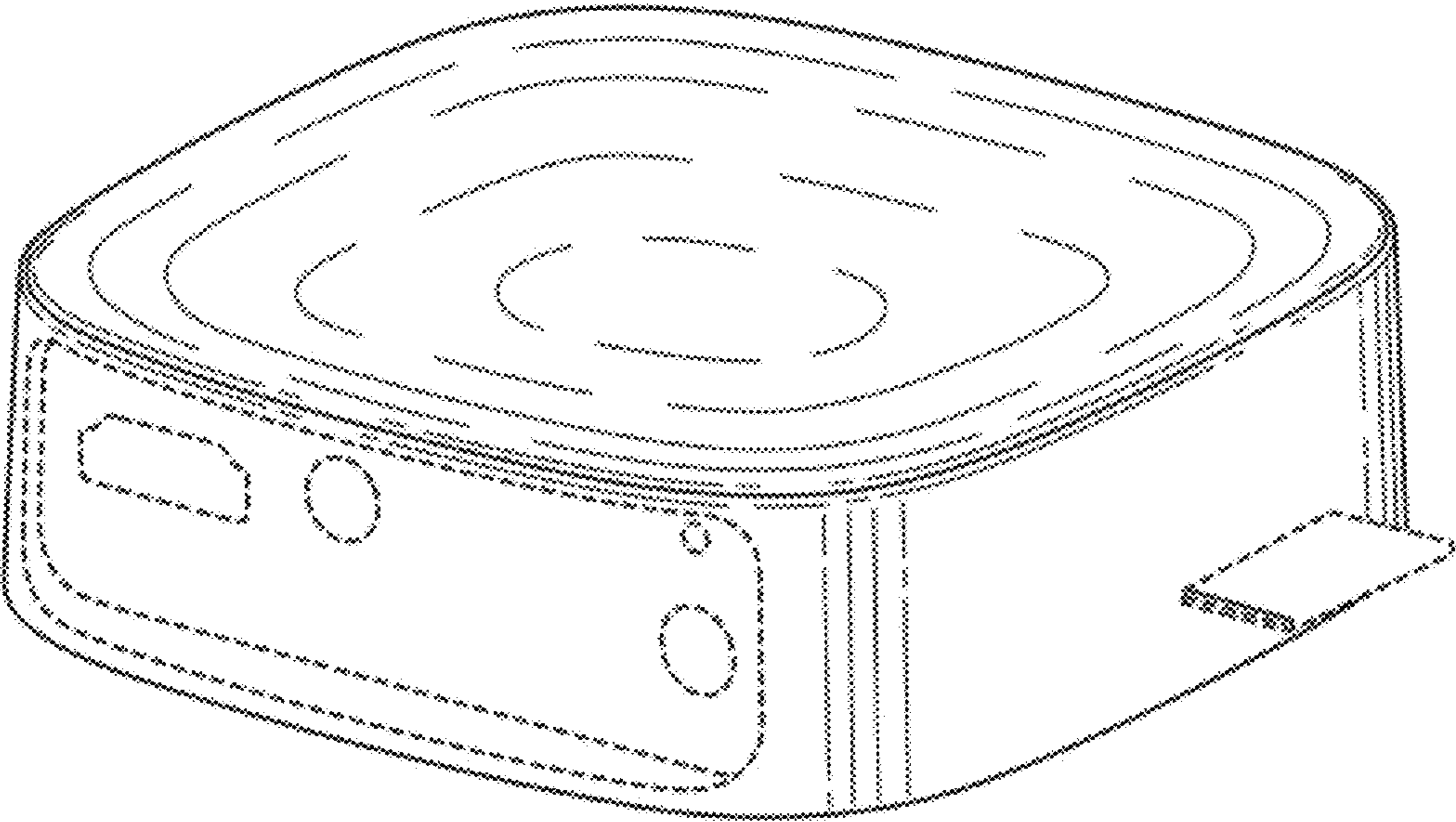


FIG. 1

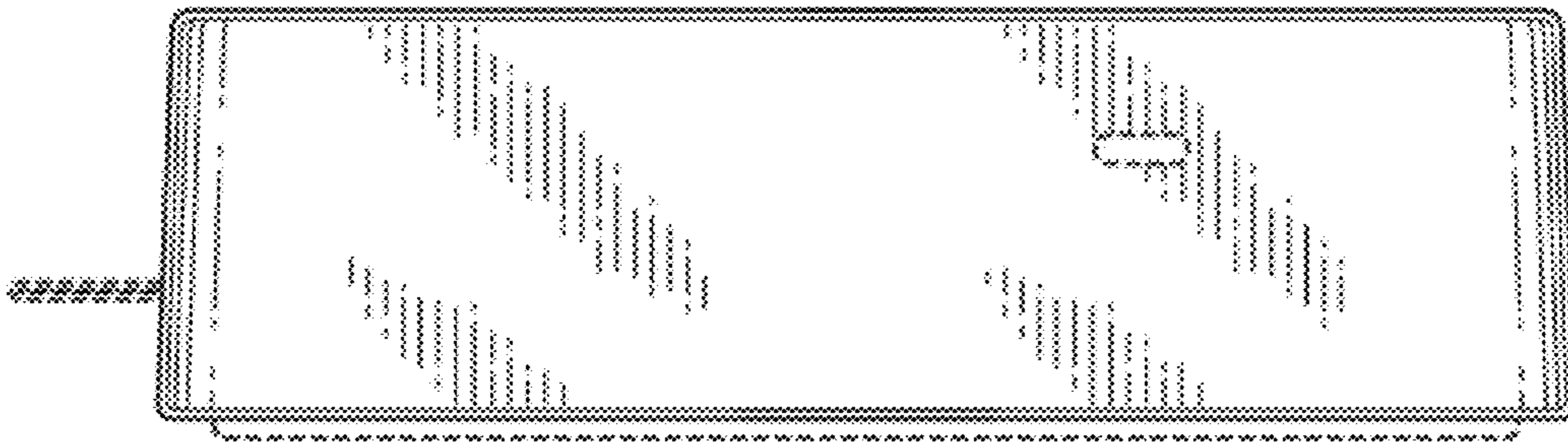


FIG. 2

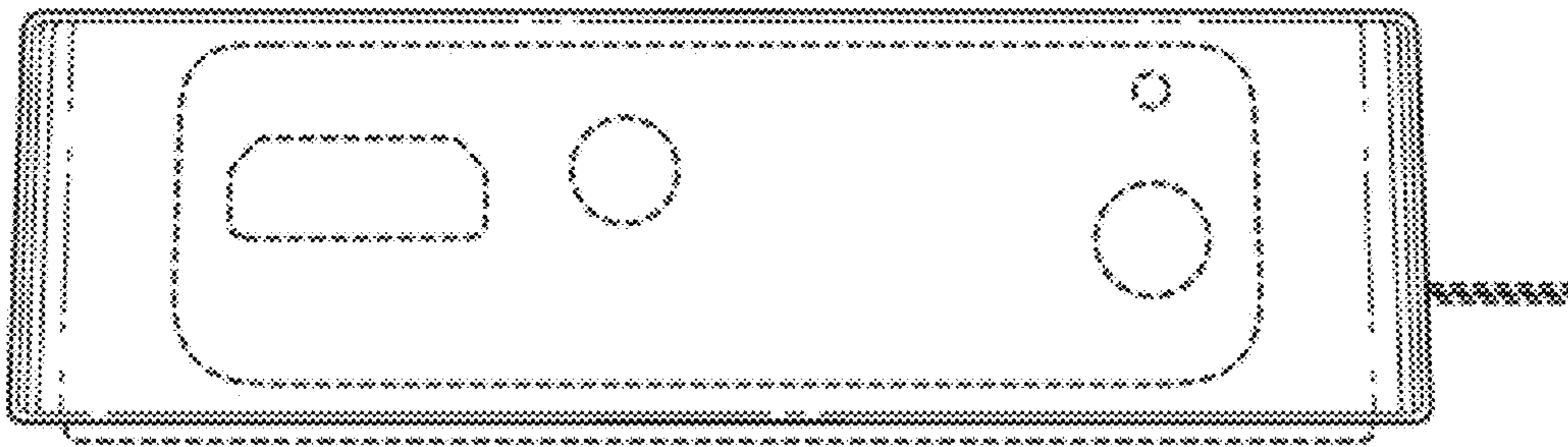


FIG. 3

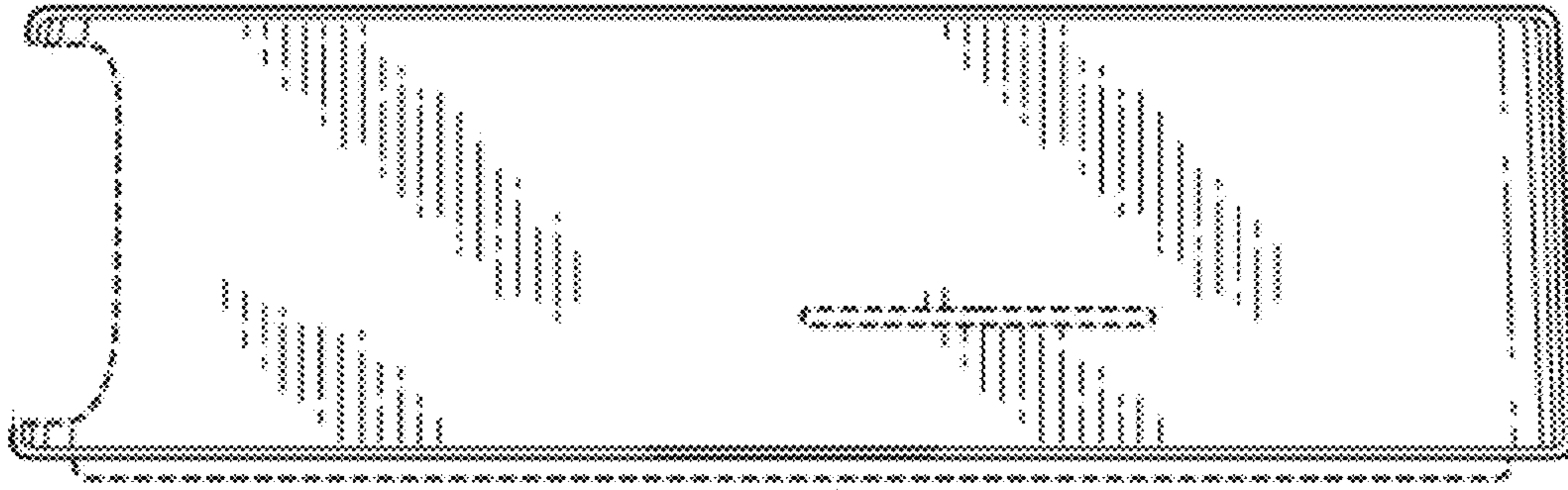


FIG. 4

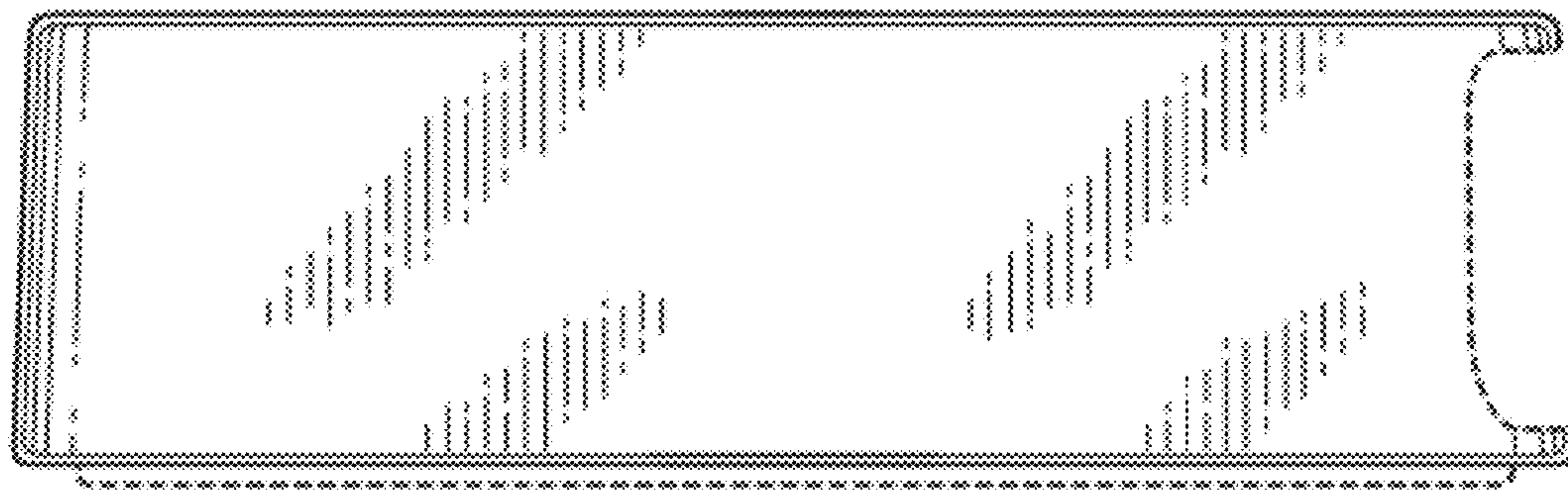


FIG. 5

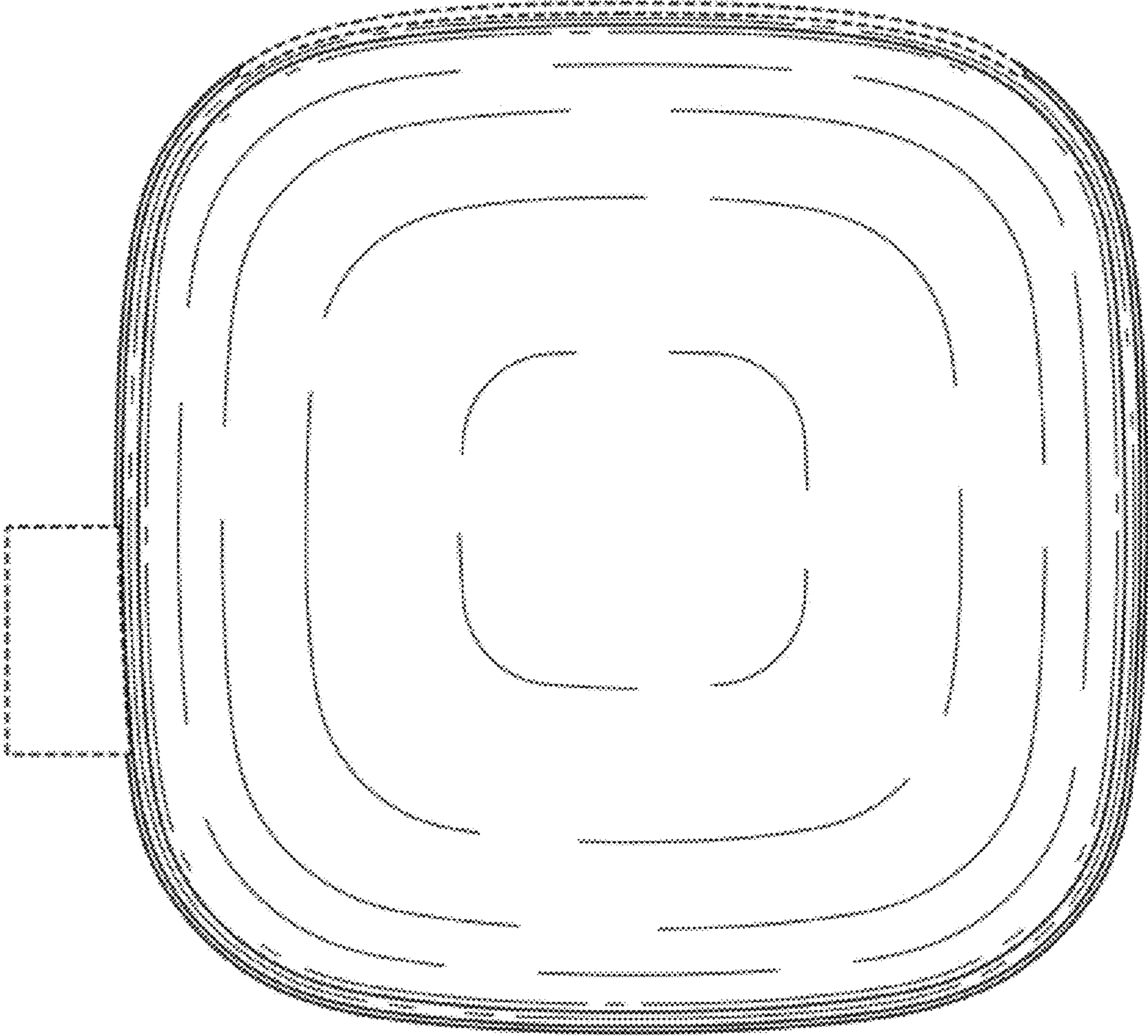


FIG. 6