



US00D676003S

(12) **United States Design Patent**  
**Takeda et al.**

(10) **Patent No.:** **US D676,003 S**  
(45) **Date of Patent:** **\*\* Feb. 12, 2013**

(54) **LIGHT EMITTING DIODE**

**DESCRIPTION**

(75) Inventors: **Shigeo Takeda**, Aichi (JP); **Shota Yamamori**, Aichi (JP); **Mitsushi Terakami**, Aichi (JP); **Makoto Ishida**, Aichi (JP)

(73) Assignee: **Toyoda Gosei Co., Ltd.**, Kiyosu-Shi, Aichi (JP)

(\*\*) Term: **14 Years**

(21) Appl. No.: **29/413,940**

(22) Filed: **Feb. 22, 2012**

(30) **Foreign Application Priority Data**

Aug. 29, 2011 (JP) ..... D2011-019464  
Aug. 29, 2011 (JP) ..... D2011-019465

(51) **LOC (9) Cl.** ..... **13-03**

(52) **U.S. Cl.** ..... **D13/180**

(58) **Field of Classification Search** ..... D13/180;  
D26/1, 2; 257/79, 80, 81, 88, 89, 95, 98,  
257/99, 100, E33.058; 313/483, 498, 500;  
362/555, 800

See application file for complete search history.

(56) **References Cited**

**U.S. PATENT DOCUMENTS**

D597,971 S \* 8/2009 Kobayakawa et al. .... D13/180  
D623,150 S \* 9/2010 Hsieh ..... D13/180  
D629,767 S \* 12/2010 Shimizu et al. .... D13/180  
D632,659 S \* 2/2011 Hsieh ..... D13/180  
8,269,244 B2 \* 9/2012 Hussell ..... 257/98  
2010/0059782 A1 \* 3/2010 Fujitomo et al. .... 257/98  
2012/0132933 A1 \* 5/2012 Watari et al. .... 257/88  
2012/0153335 A1 \* 6/2012 Matsushita et al. .... 257/98

**FOREIGN PATENT DOCUMENTS**

JP 1398860 A 10/2010  
JP 415883 A 6/2011

\* cited by examiner

*Primary Examiner* — Selina Sikder

(74) *Attorney, Agent, or Firm* — McGinn IP Law Group, PLLC

(57) **CLAIM**

The ornamental design for a light emitting diode, as shown and described.

FIG. 1 is a top perspective view of a first embodiment of a light emitting diode showing our new design;  
FIG. 2 is a bottom perspective view thereof;  
FIG. 3 is a top plan view thereof;  
FIG. 4 is a bottom view thereof;  
FIG. 5 is a front view thereof;  
FIG. 6 is a right side view thereof;  
FIG. 7 is a cross sectional view taken along line 7-7 in FIG. 3;  
FIG. 8 is a cross sectional view taken along line 8-8 in FIG. 3;  
FIG. 9 is a reference end view taken along line 9-9 in FIG. 3;  
FIG. 10 is a reference end view taken along line 10-10 in FIG. 3;

FIG. 11 is a top perspective view of a second embodiment of a light emitting diode showing our new design;  
FIG. 12 is a bottom perspective view thereof;  
FIG. 13 is a top plan view thereof;  
FIG. 14 is a bottom view thereof;  
FIG. 15 is a front view thereof;  
FIG. 16 is a right side view thereof;  
FIG. 17 is a cross sectional view taken along line 17-17 in FIG. 13;  
FIG. 18 is a cross sectional view taken along line 18-18 in FIG. 13;  
FIG. 19 is a reference end view taken along line 19-19 in FIG. 13; and,  
FIG. 20 is a reference end view taken along line 20-20 in FIG. 13.

The broken lines are shown for illustrative purposes only and form no part of the claimed design.  
Portions indicated by cross hatching in FIGS. 9, 10, 19, and 20 are transparent.

Since the rear view of the first embodiment is identical to the front view thereof, the rear view is omitted.

Since the left side view of the first embodiment is identical to the right side view thereof, the left side view is omitted.

Since the rear view of the second embodiment is identical to the front view thereof, the rear view is omitted.

Since the left side view of the second embodiment is identical to the right side view thereof, the left side view is omitted.

**1 Claim, 20 Drawing Sheets**

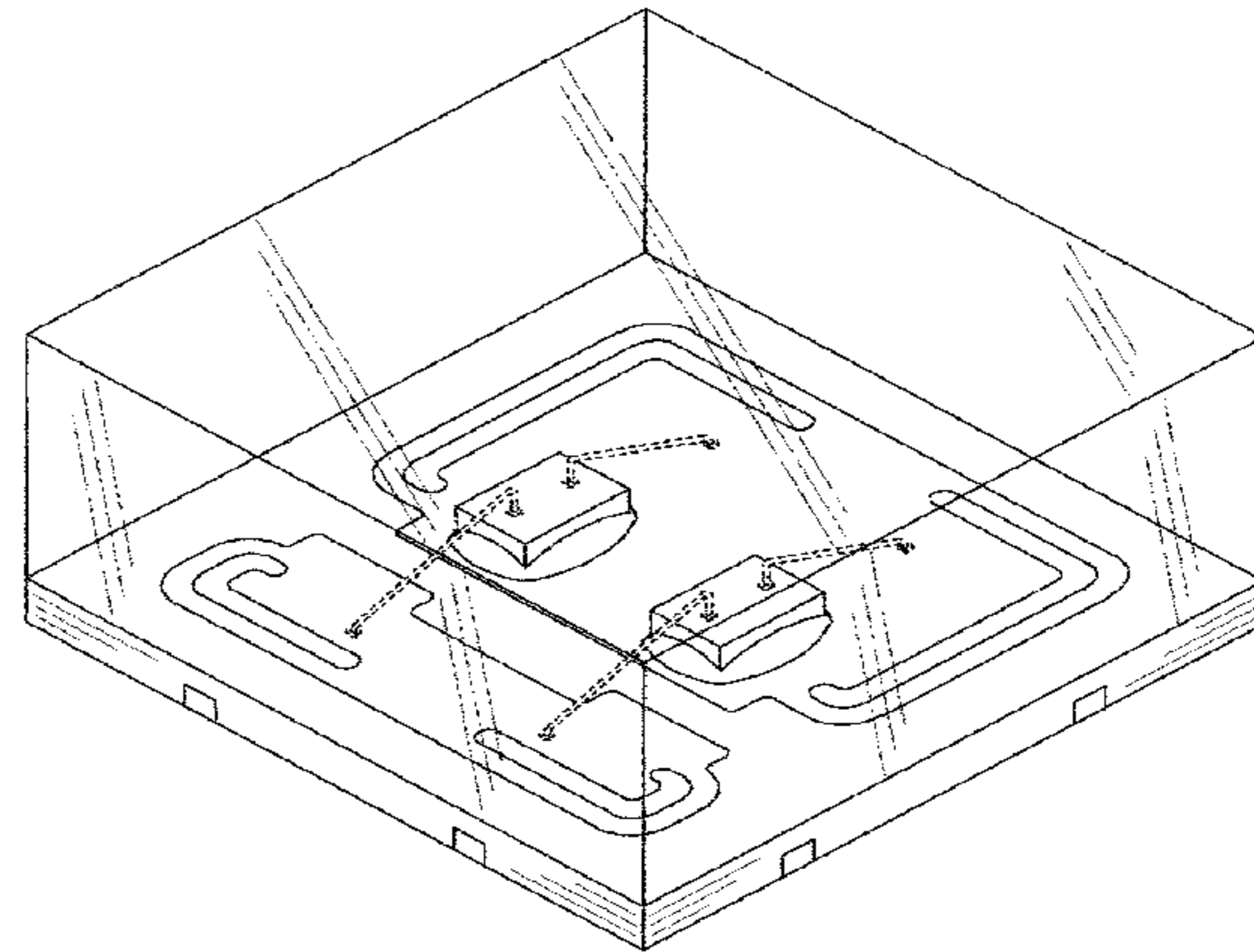
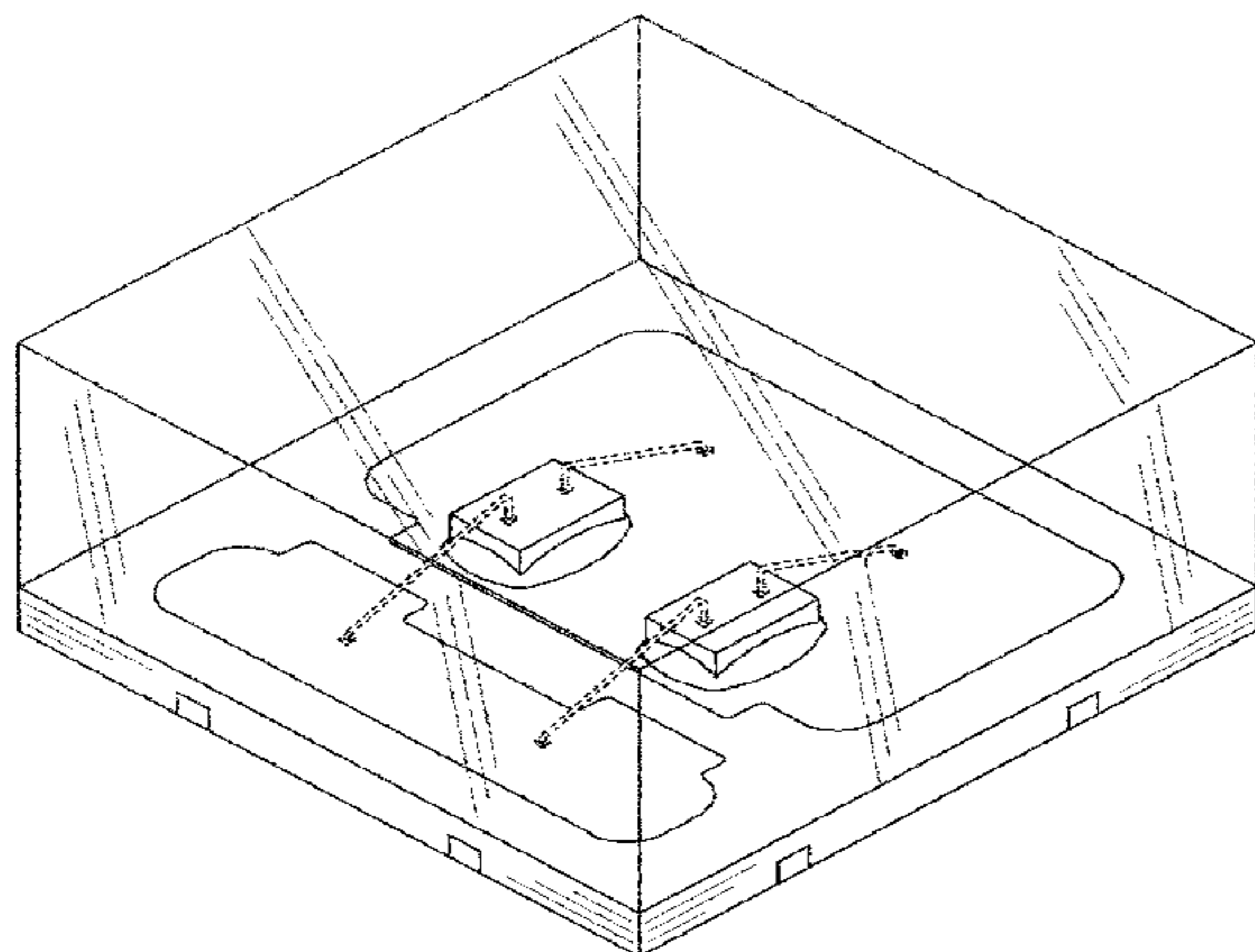


FIG. 1

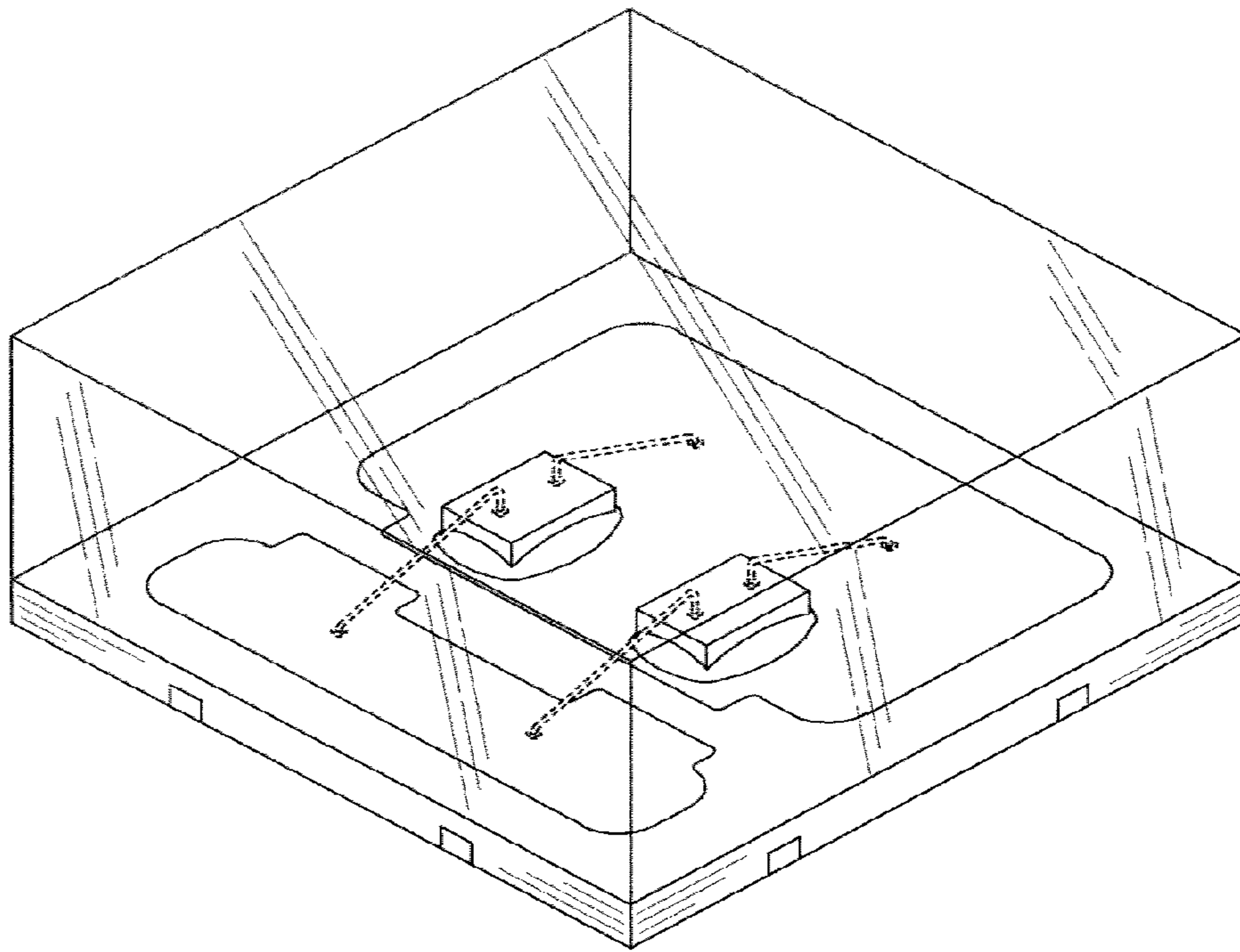


FIG. 2

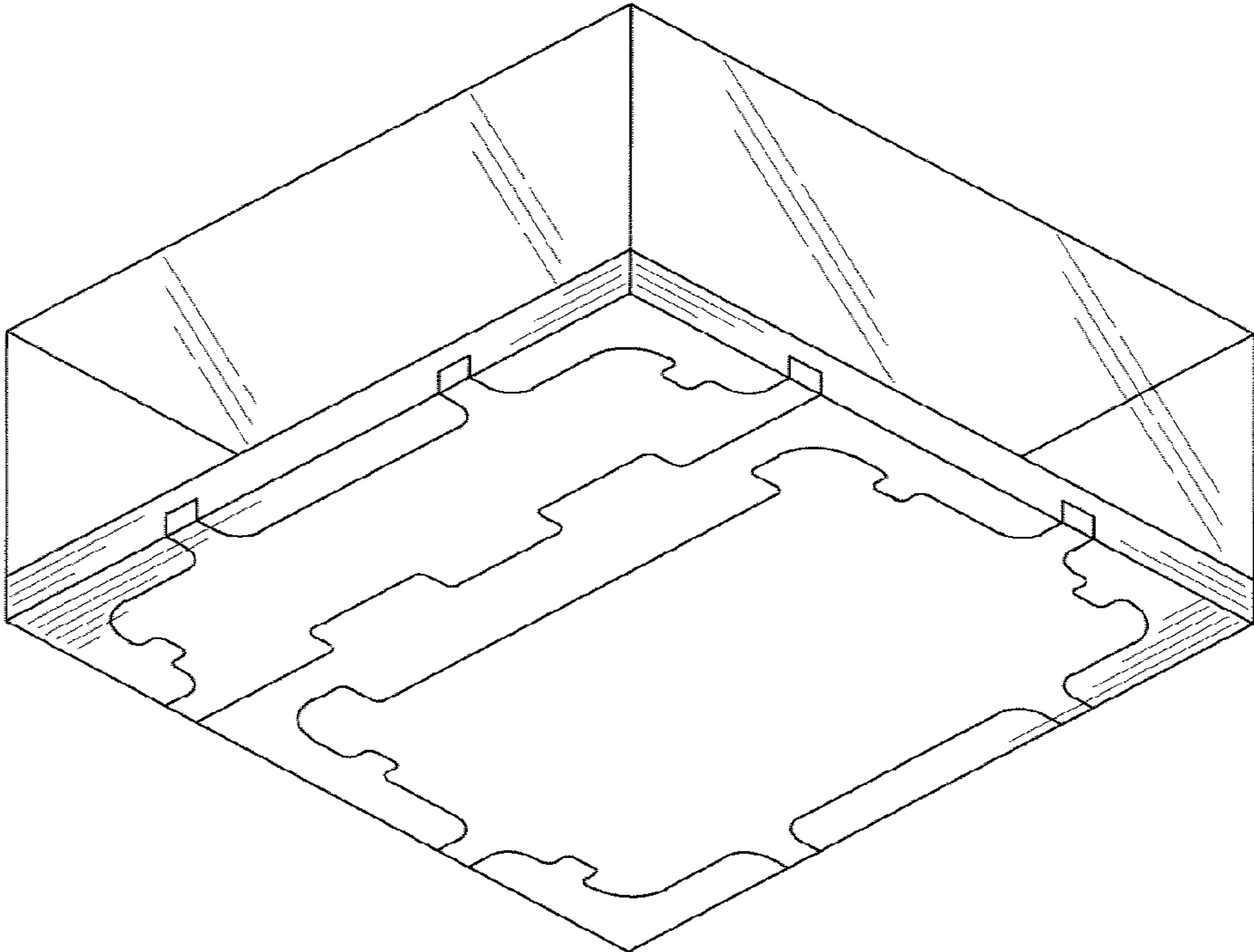


FIG. 3

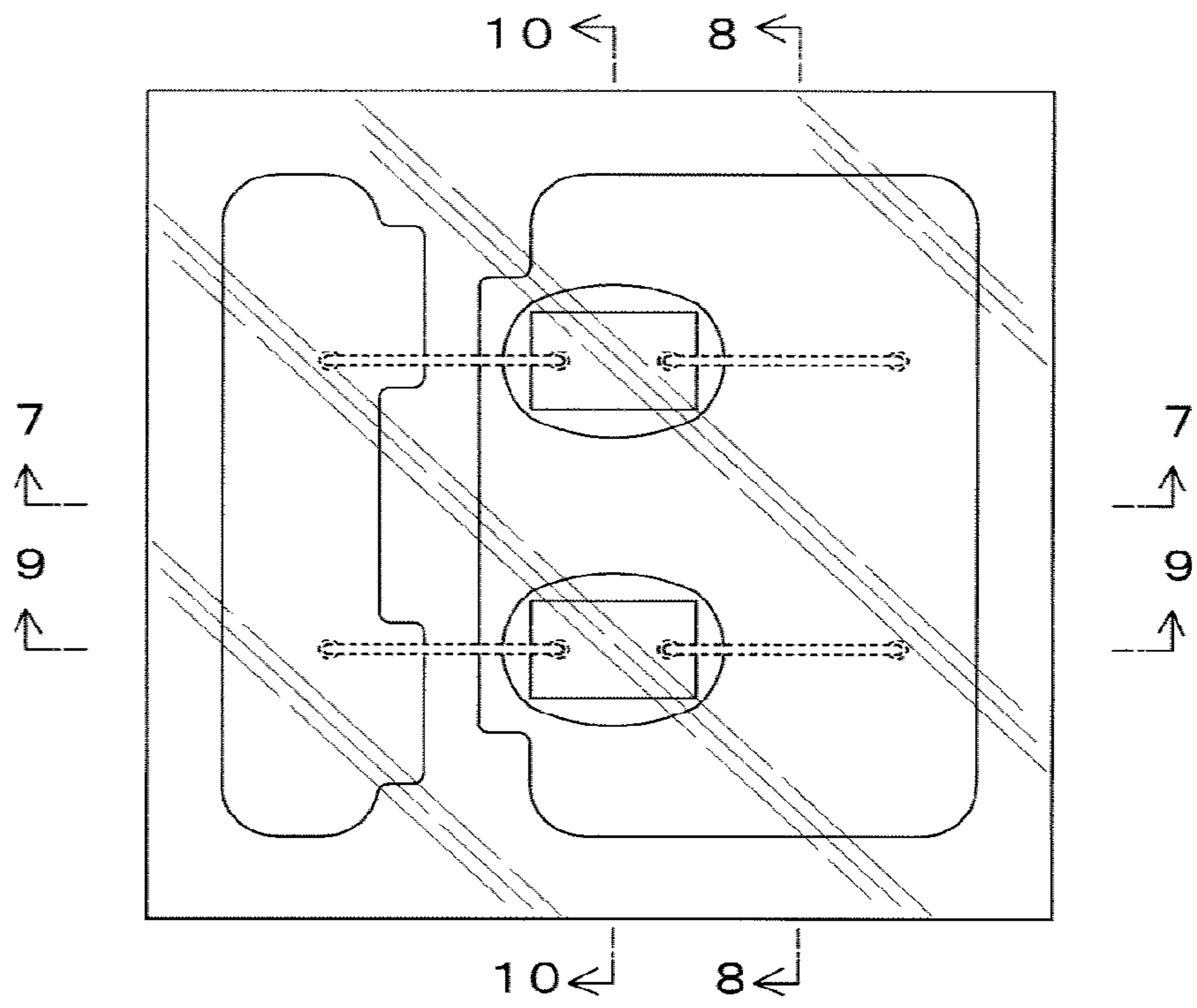




FIG. 4

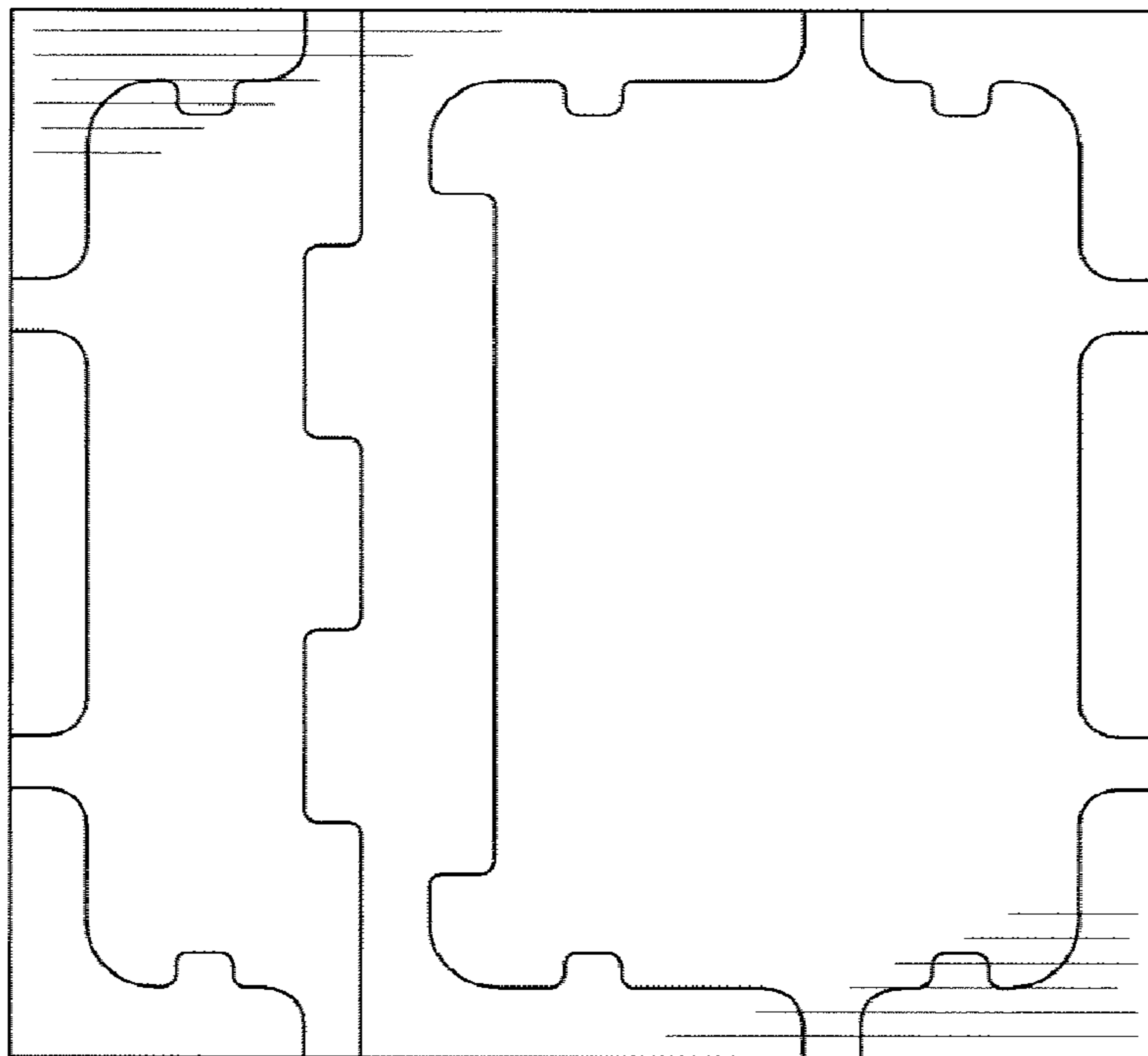


FIG. 5

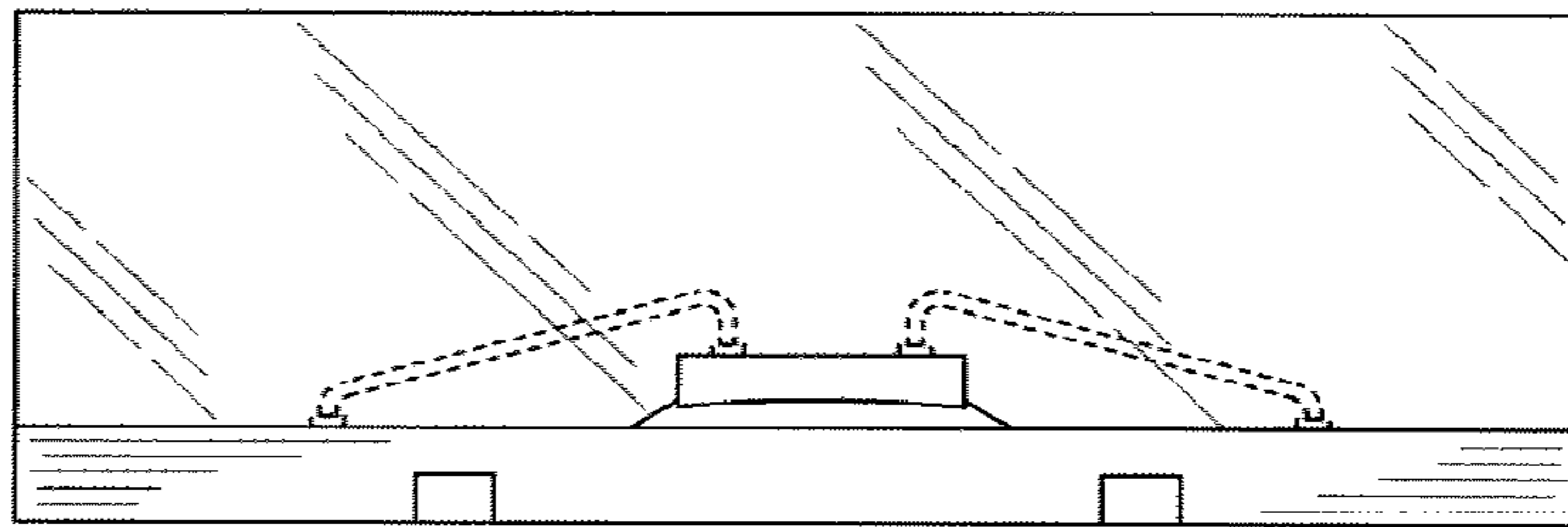


FIG. 6

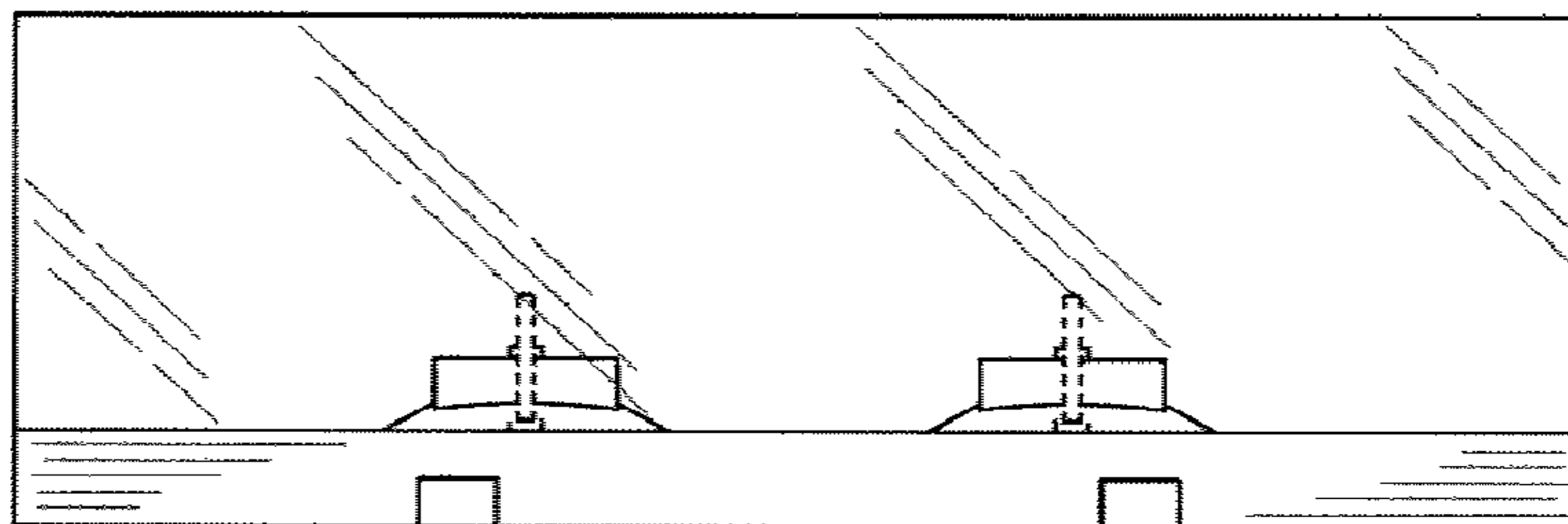


FIG. 7

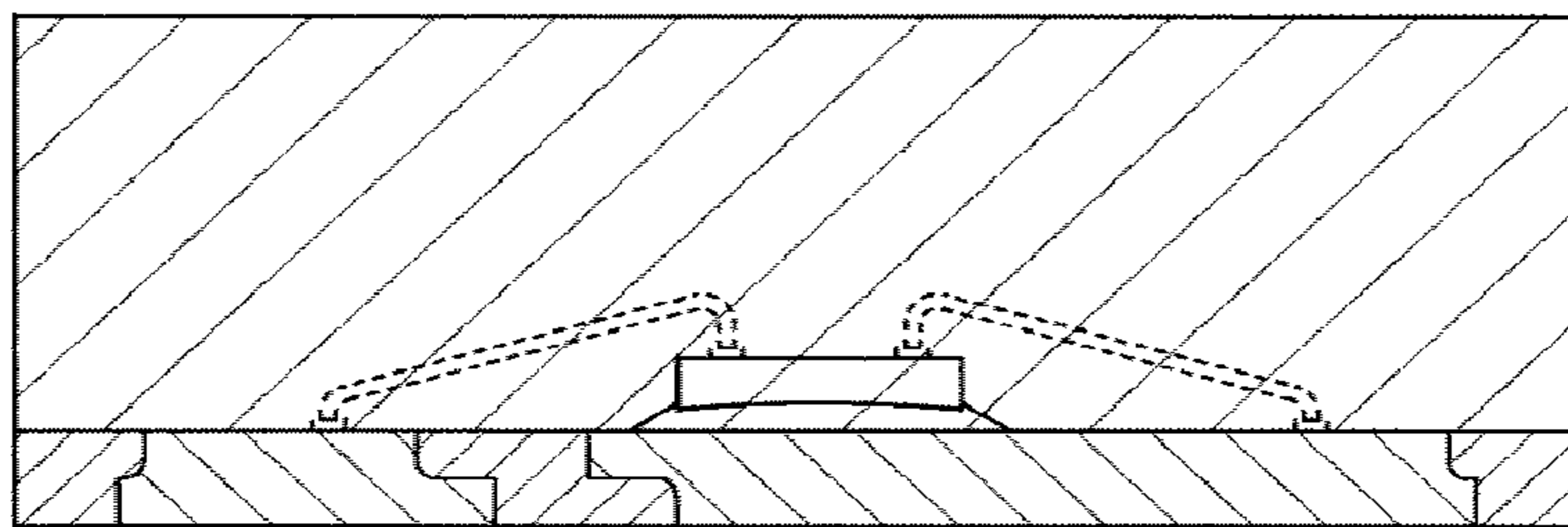




FIG. 8

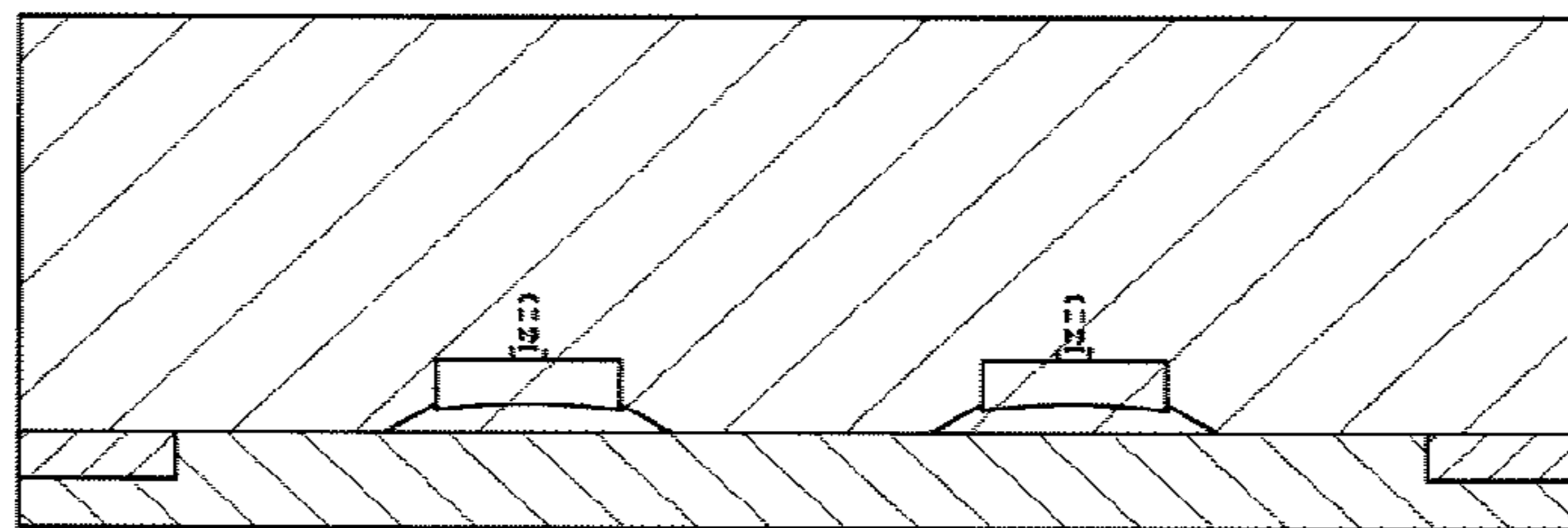


FIG. 9

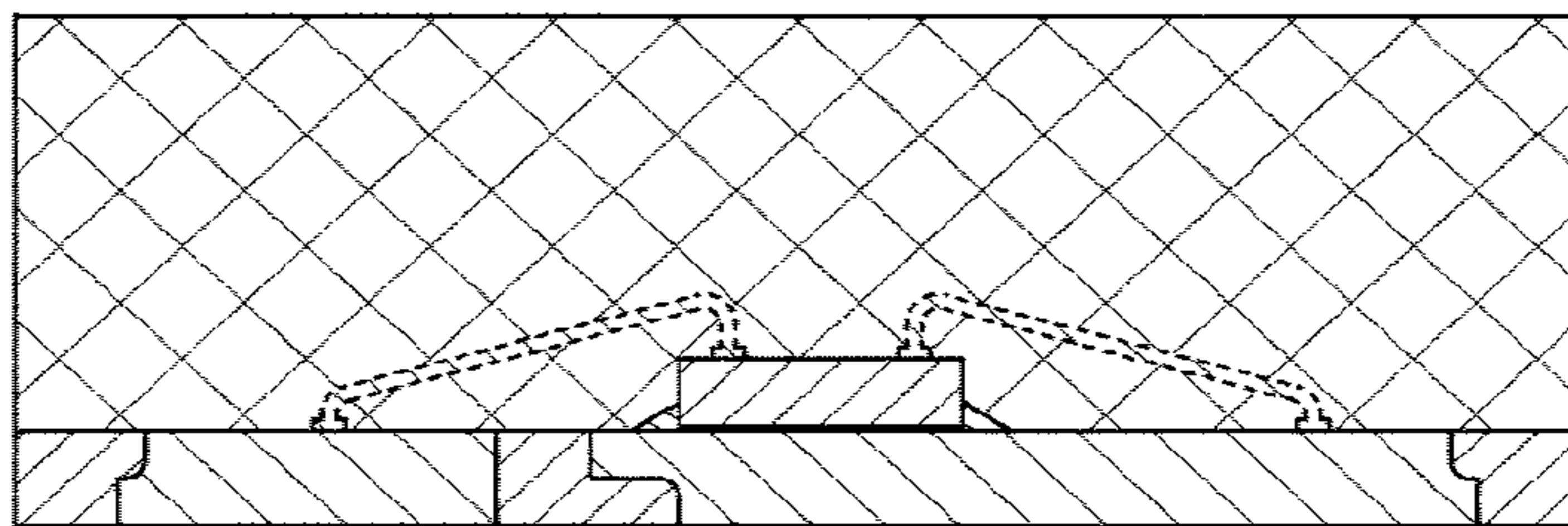


FIG. 10

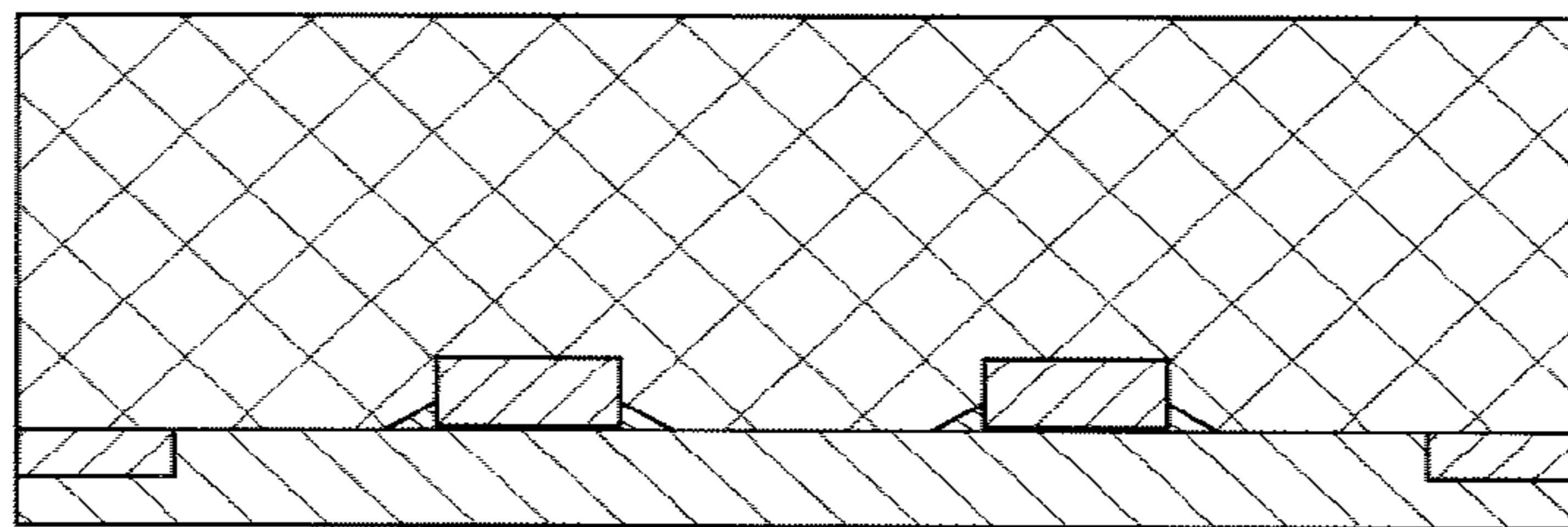


FIG. 11

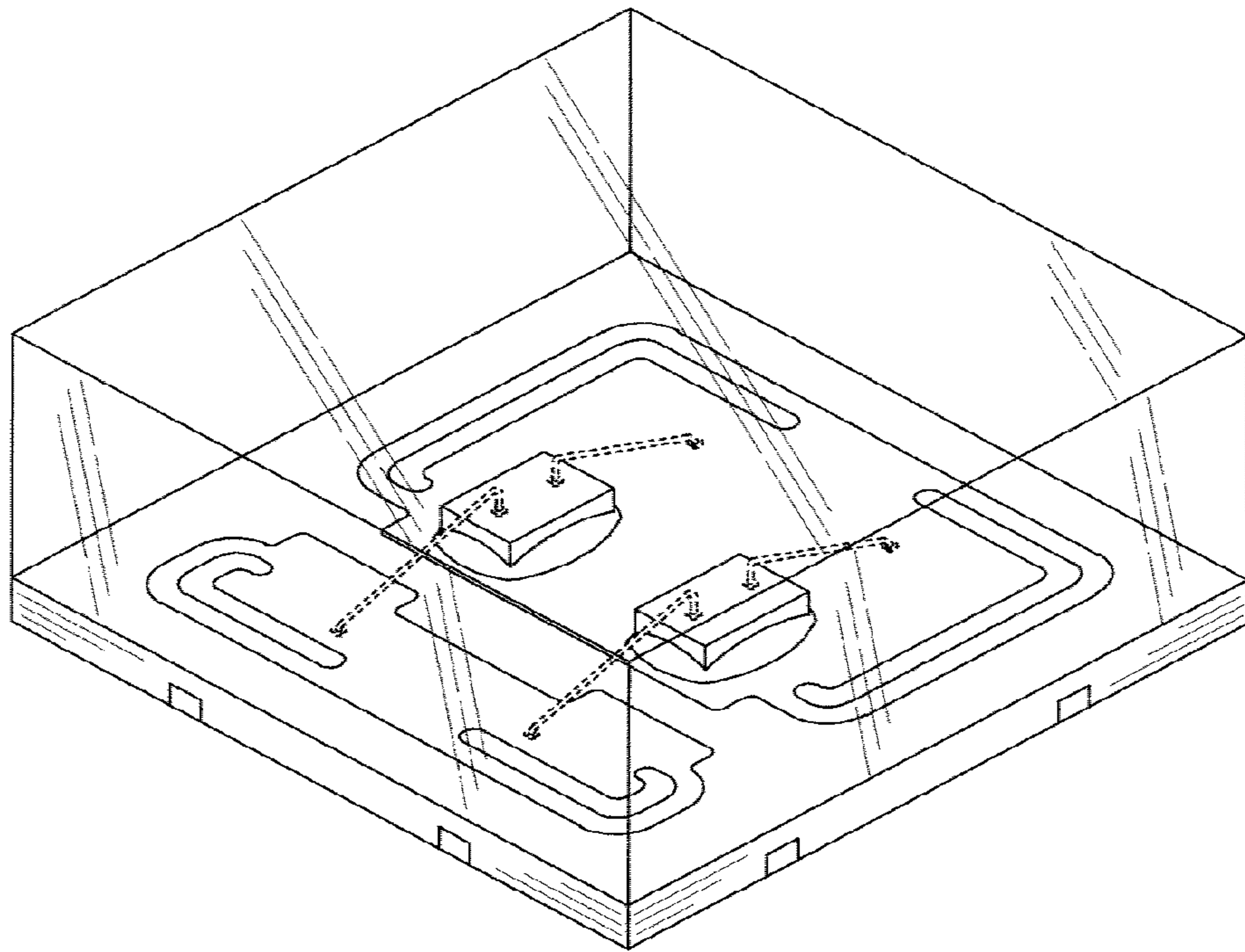


FIG. 12

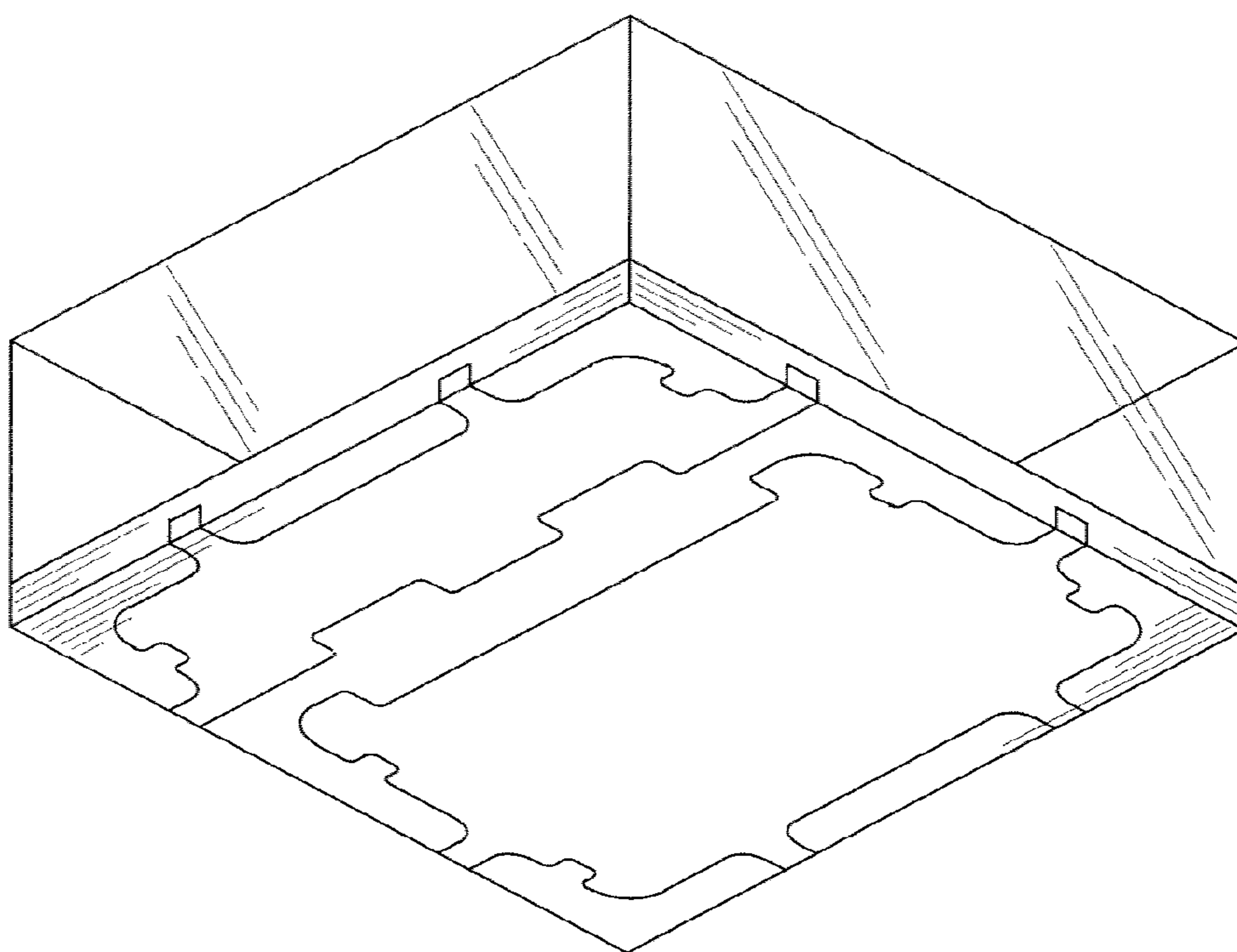


FIG. 13

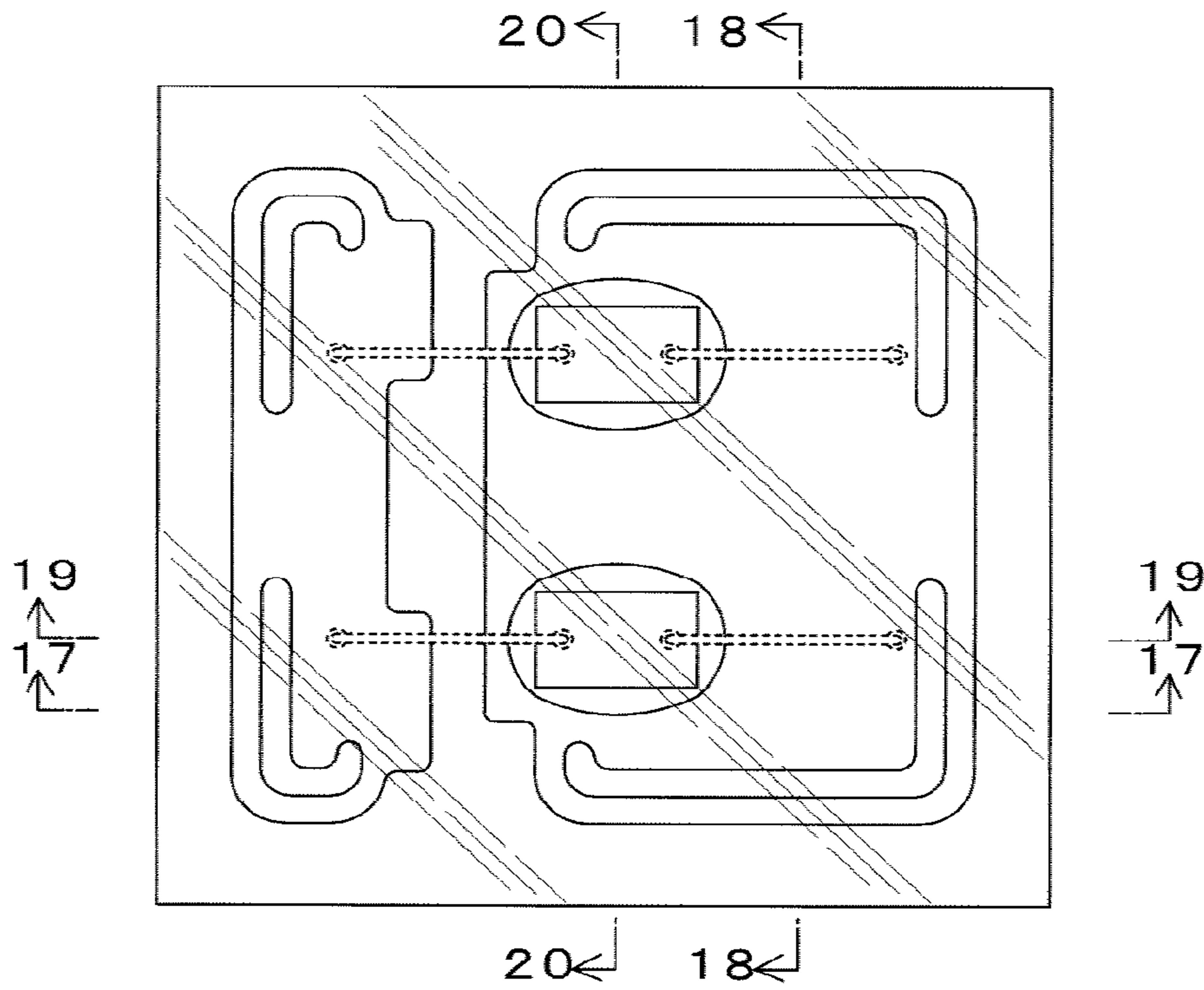




FIG. 14

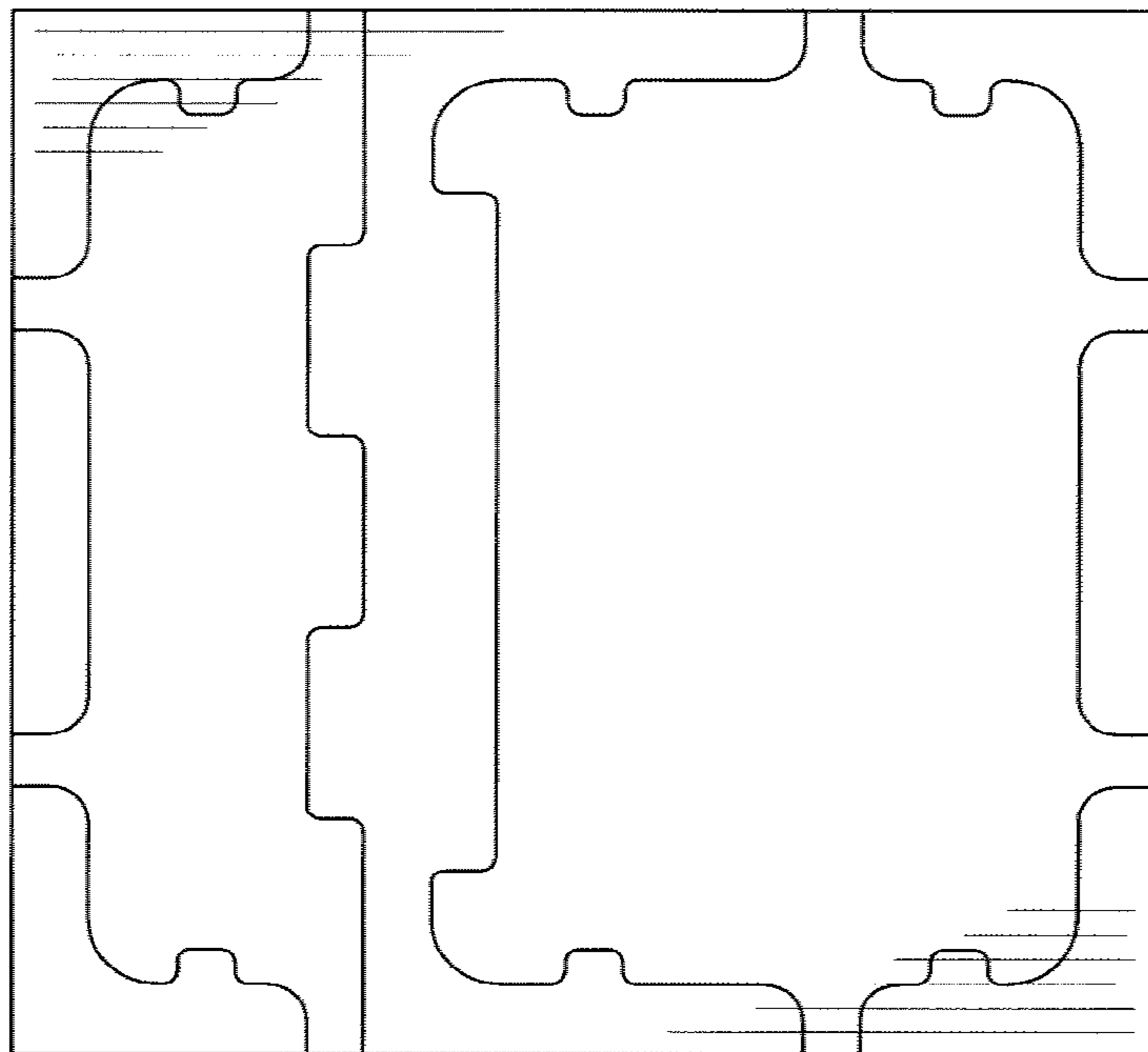


FIG. 15

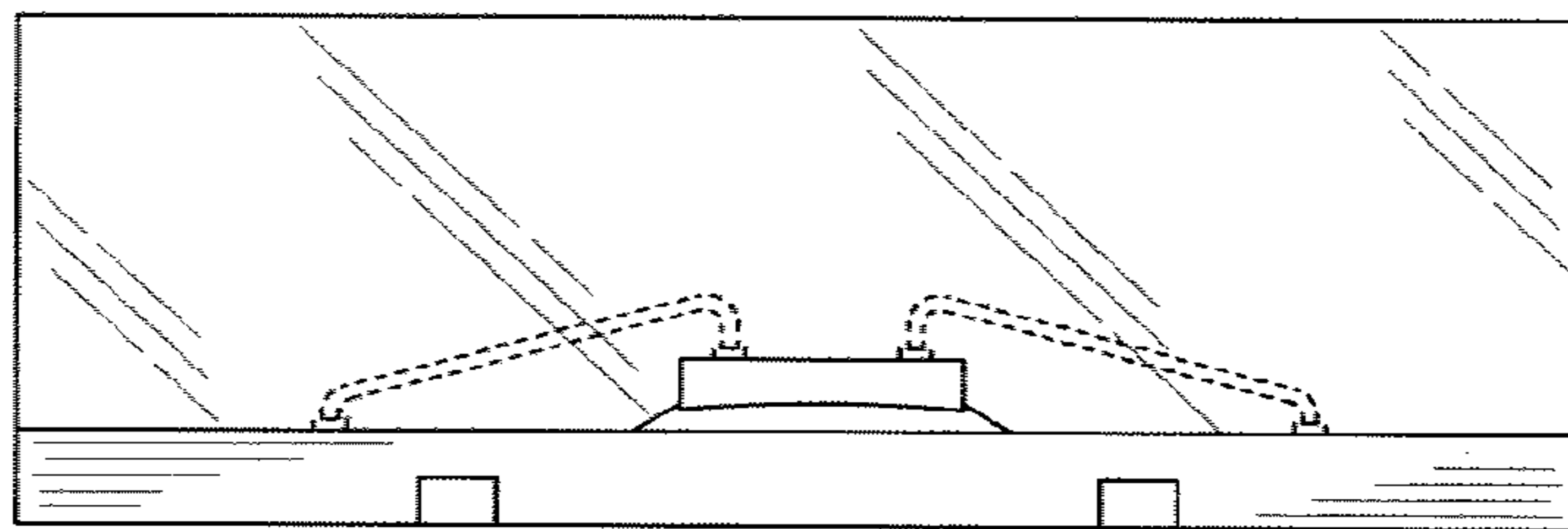


FIG. 16

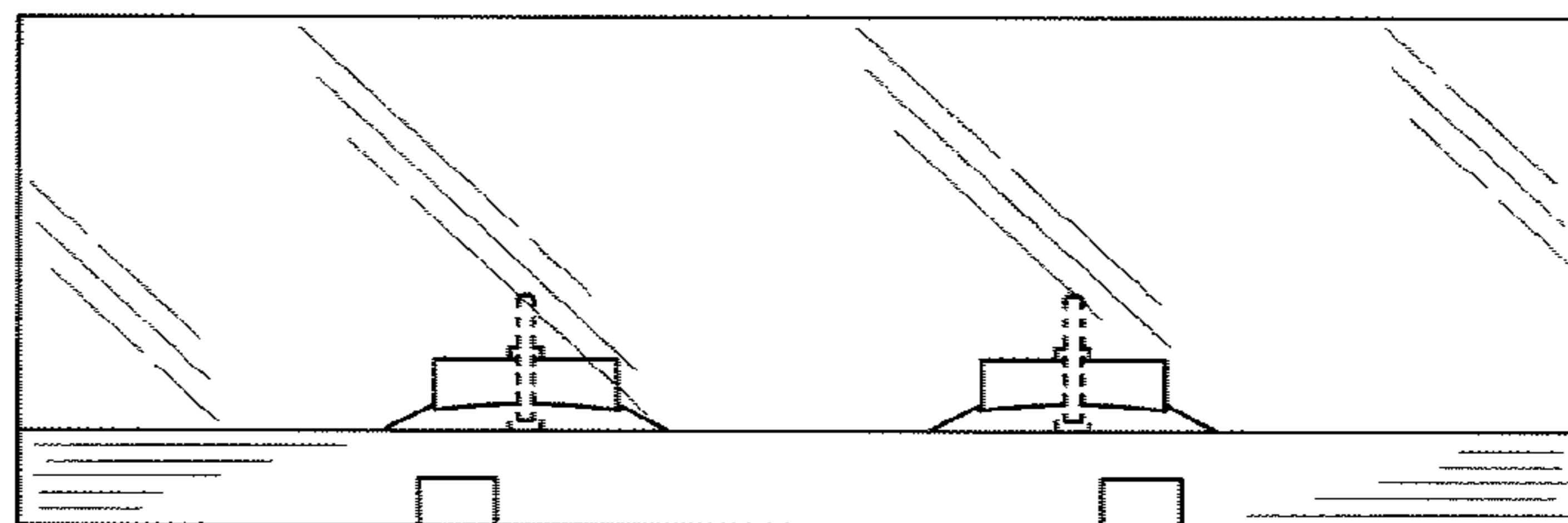


FIG. 17

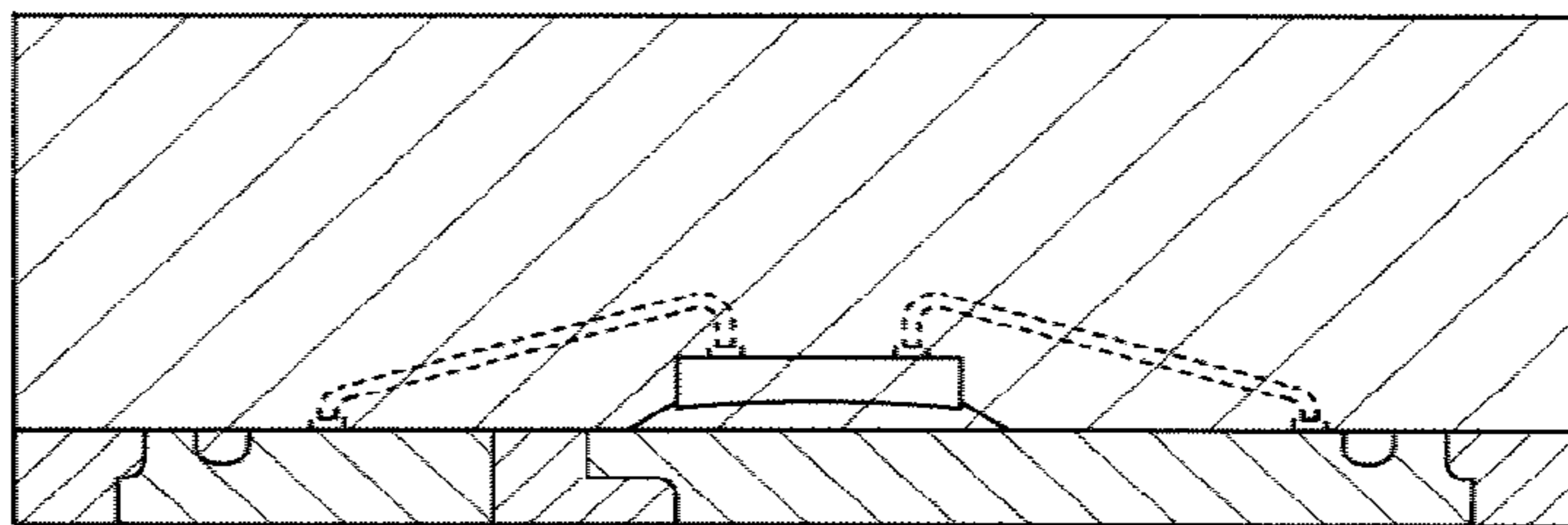


FIG. 18

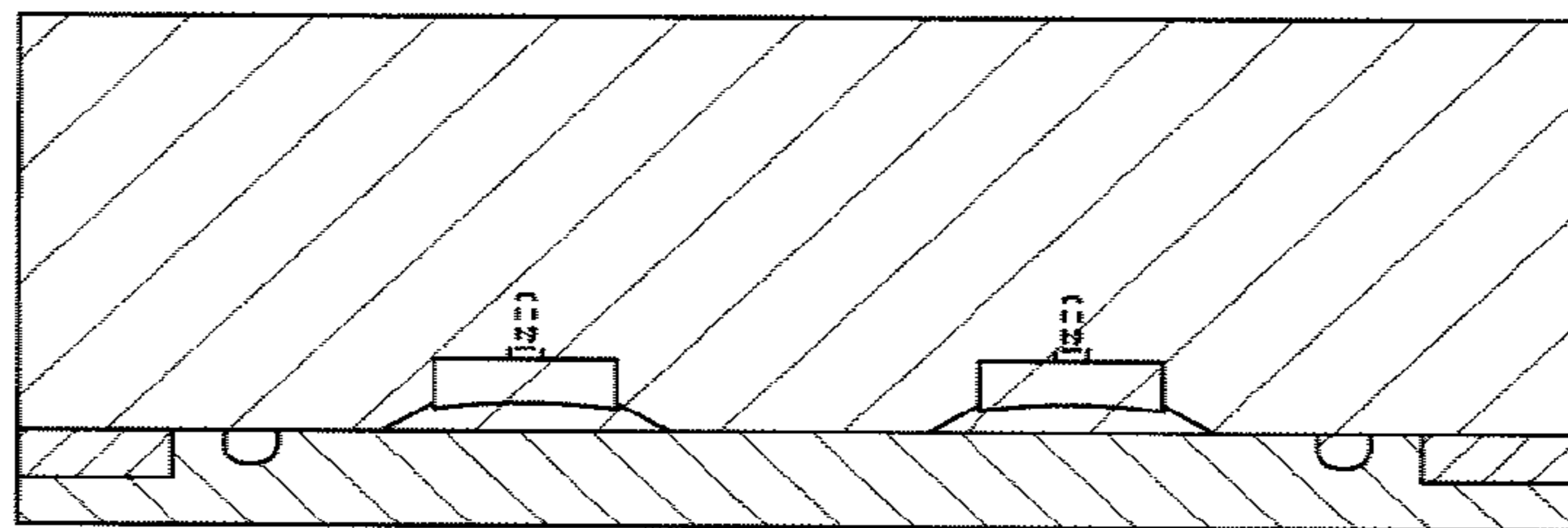


FIG. 19

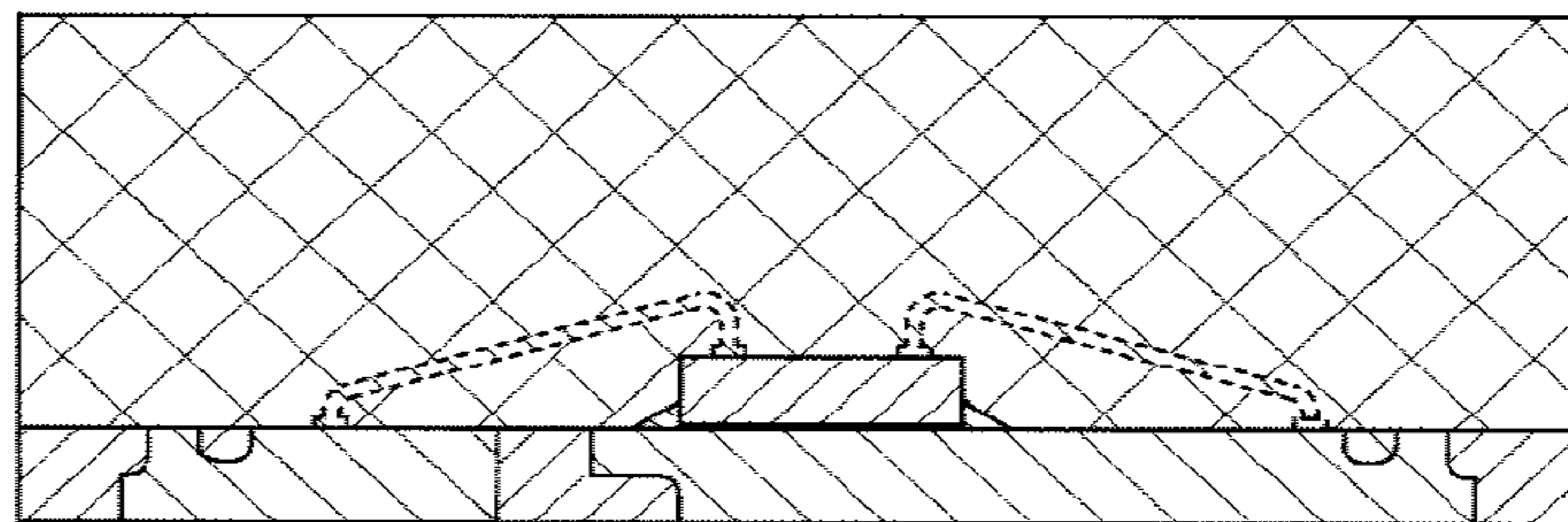




FIG. 20

