



US00D676002S

(12) **United States Design Patent**
Watanabe

(10) **Patent No.:** **US D676,002 S**

(45) **Date of Patent:** **** Feb. 12, 2013**

(54) **LIGHT-EMITTING DIODE**

(75) Inventor: **Yusuke Watanabe**, Fujiyoshida (JP)

(73) Assignees: **Citizen Electronics Co., Ltd.**,
Yamanashi-Ken (JP); **Citizen Holdings**
Co., Ltd., Tokyo (JP)

(**) Term: **14 Years**

(21) Appl. No.: **29/410,323**

(22) Filed: **Jan. 6, 2012**

(30) **Foreign Application Priority Data**

Jul. 7, 2011 (JP) D2011-015604

(51) **LOC (9) Cl.** **13-03**

(52) **U.S. Cl.** **D13/180**

(58) **Field of Classification Search** D13/180;
D26/1, 2; 257/79, 80, 81, 88, 89, 95, 98,
257/99, 100, E33.058; 313/483, 498, 500;
362/555, 800

See application file for complete search history.

(56) **References Cited**

U.S. PATENT DOCUMENTS

5,557,115	A *	9/1996	Shakuda	257/81
5,625,202	A *	4/1997	Chai	257/94
5,760,422	A *	6/1998	Ishinaga	257/94
6,657,238	B2 *	12/2003	Ueda	257/99
D514,074	S *	1/2006	Kamidoi et al.	D13/182

7,135,714	B2 *	11/2006	Okazaki et al.	257/99
7,319,044	B2 *	1/2008	Han et al.	438/22
D600,658	S *	9/2009	Takano	D13/180
7,696,522	B2 *	4/2010	Ono et al.	257/88
7,781,888	B2 *	8/2010	Kobayakawa et al.	257/730
D626,922	S *	11/2010	Wada	D13/180
D634,282	S *	3/2011	Wilson	D13/180
2007/0075323	A1 *	4/2007	Kanazawa et al.	257/98
2011/0186870	A1 *	8/2011	Ying et al.	257/88
2012/0032205	A1 *	2/2012	O'Connor et al.	257/88

* cited by examiner

Primary Examiner — Selina Sikder

(74) *Attorney, Agent, or Firm* — Browdy & Neimark, PLLC

(57) **CLAIM**

The ornamental design for a light-emitting diode, as shown and described here.

DESCRIPTION

FIG. 1 is a perspective view of the light-emitting diode showing my new design, with an upper surface, a front side surface and a right side surface viewed diagonally from above;

FIG. 2 is a perspective view showing a bottom surface with rear and left side surfaces;

FIG. 3 is a front elevation view thereof;

FIG. 4 is a rear elevation view thereof;

FIG. 5 is a top plan view thereof;

FIG. 6 is a bottom plan view thereof;

FIG. 7 is a left side elevation view thereof; and,

FIG. 8 is a right side elevation view thereof.

1 Claim, 6 Drawing Sheets

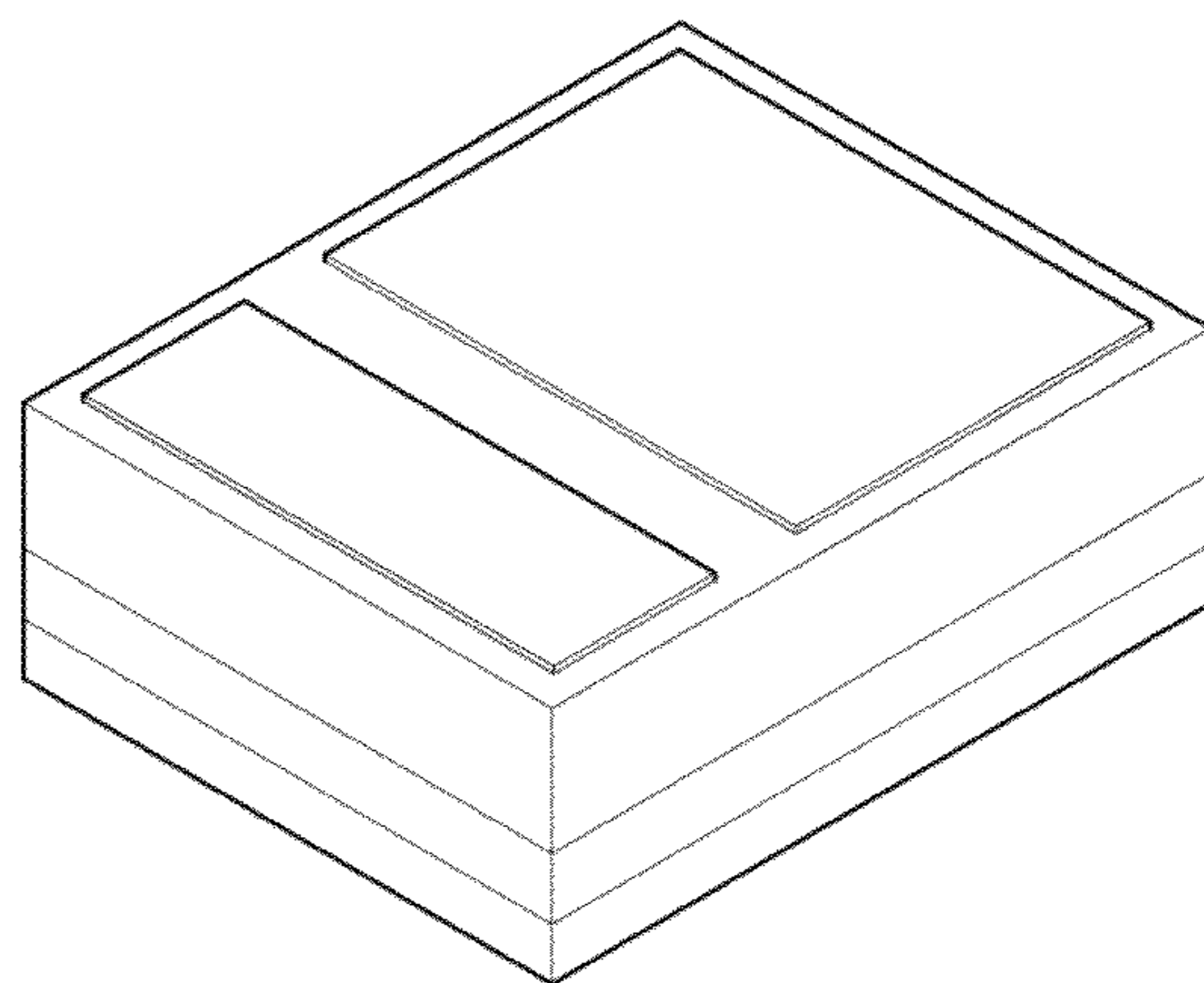
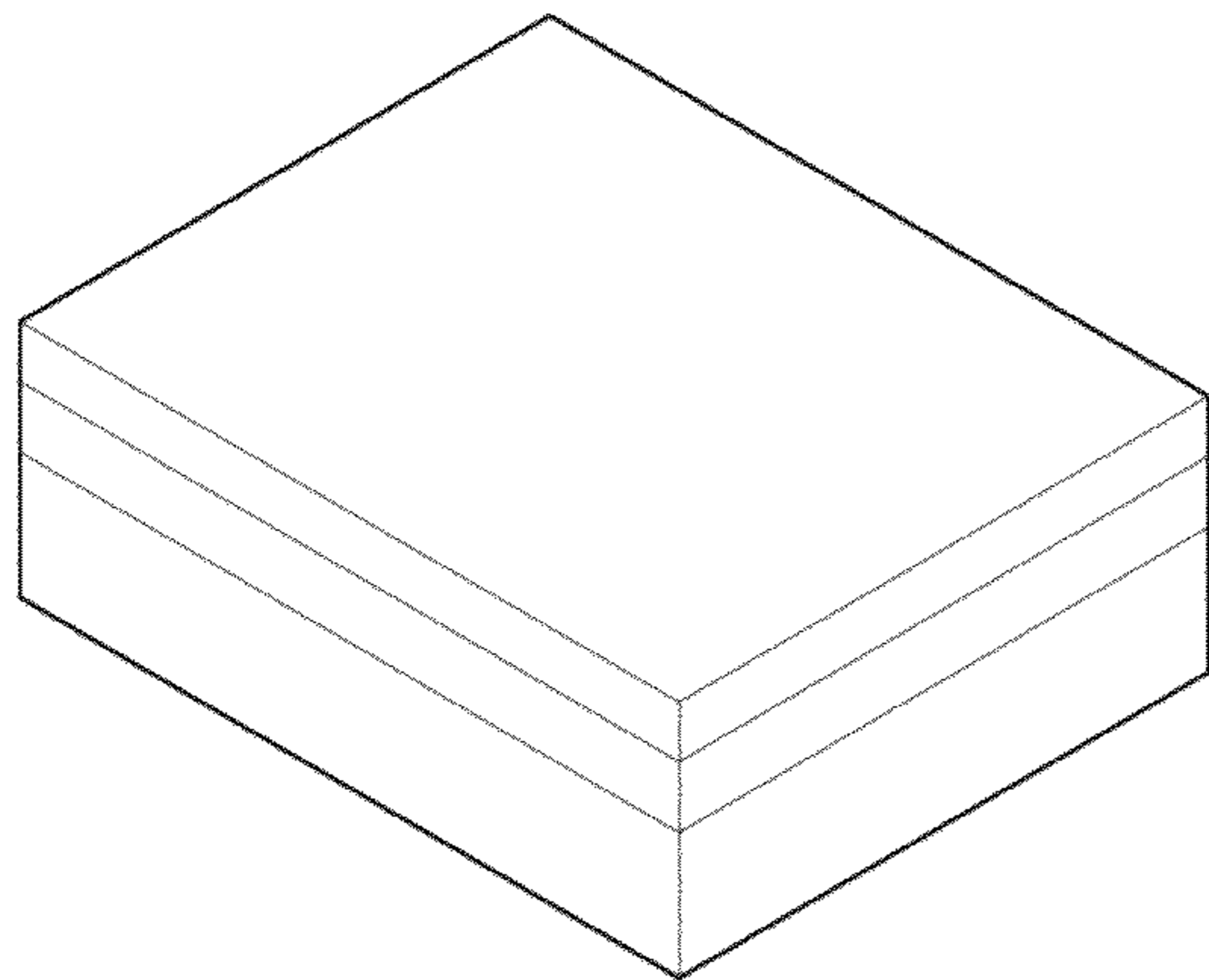


Fig. 1

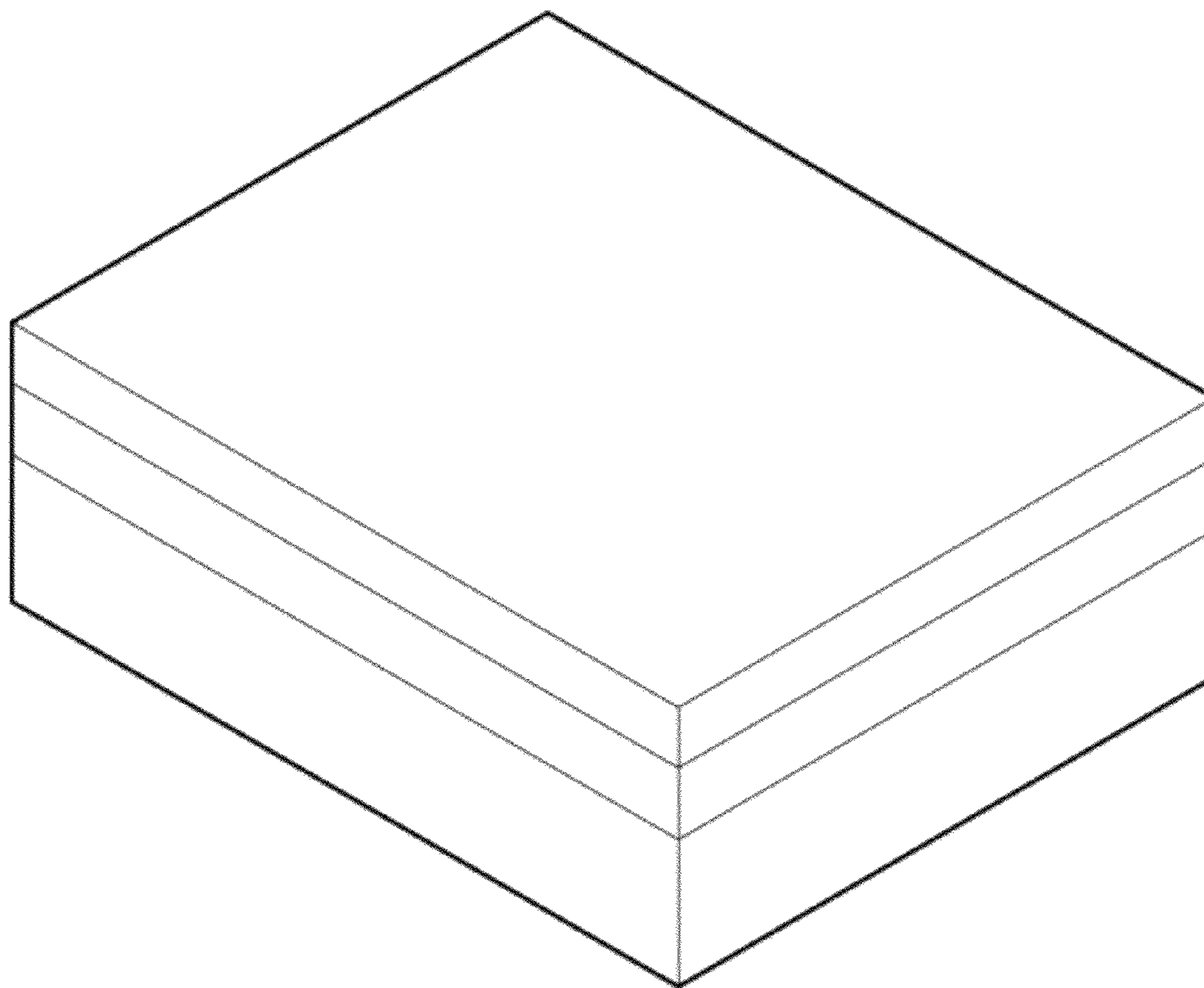


Fig. 2

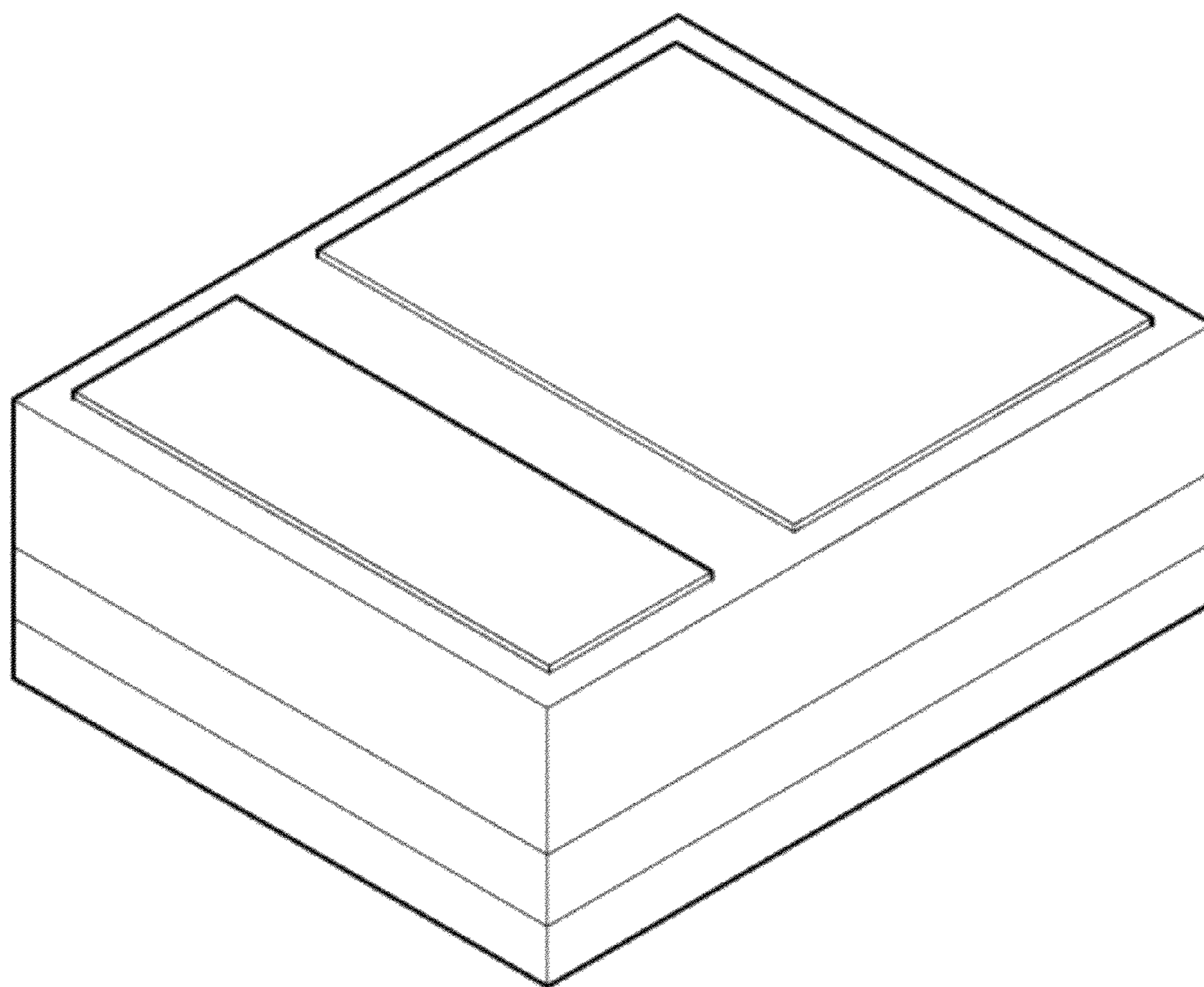


Fig. 3

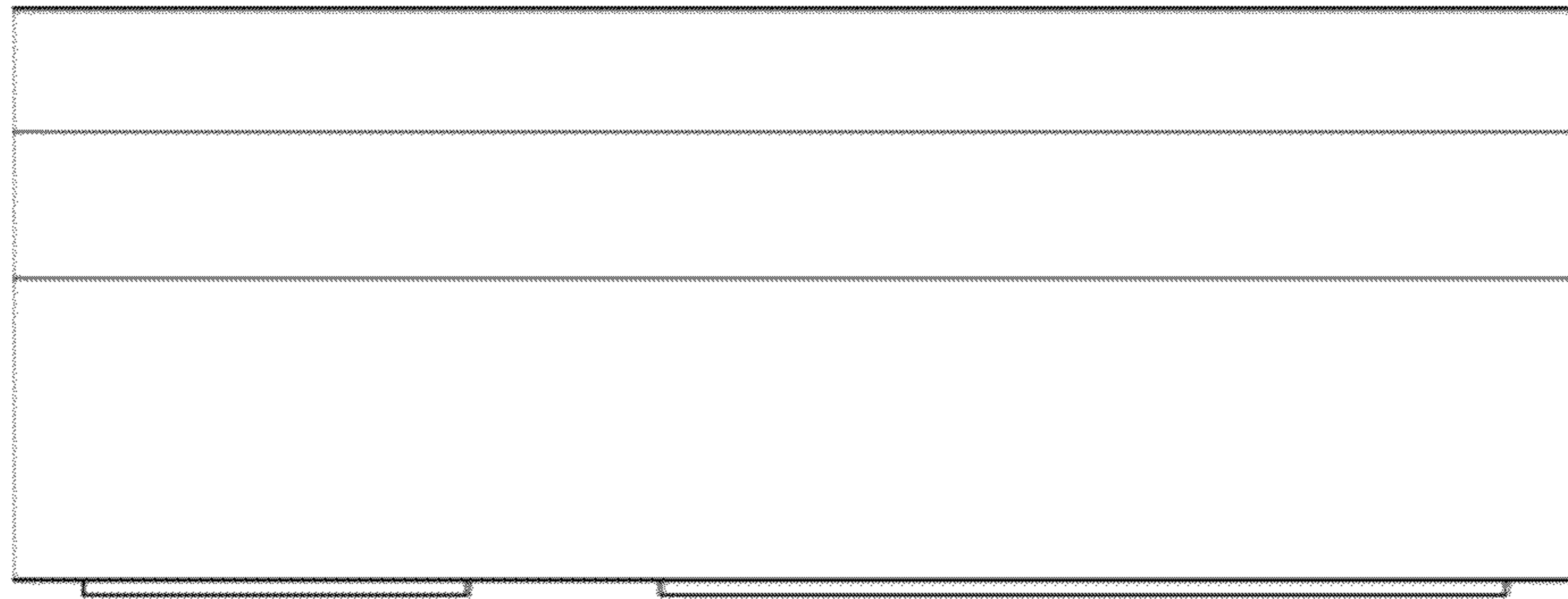


Fig. 4

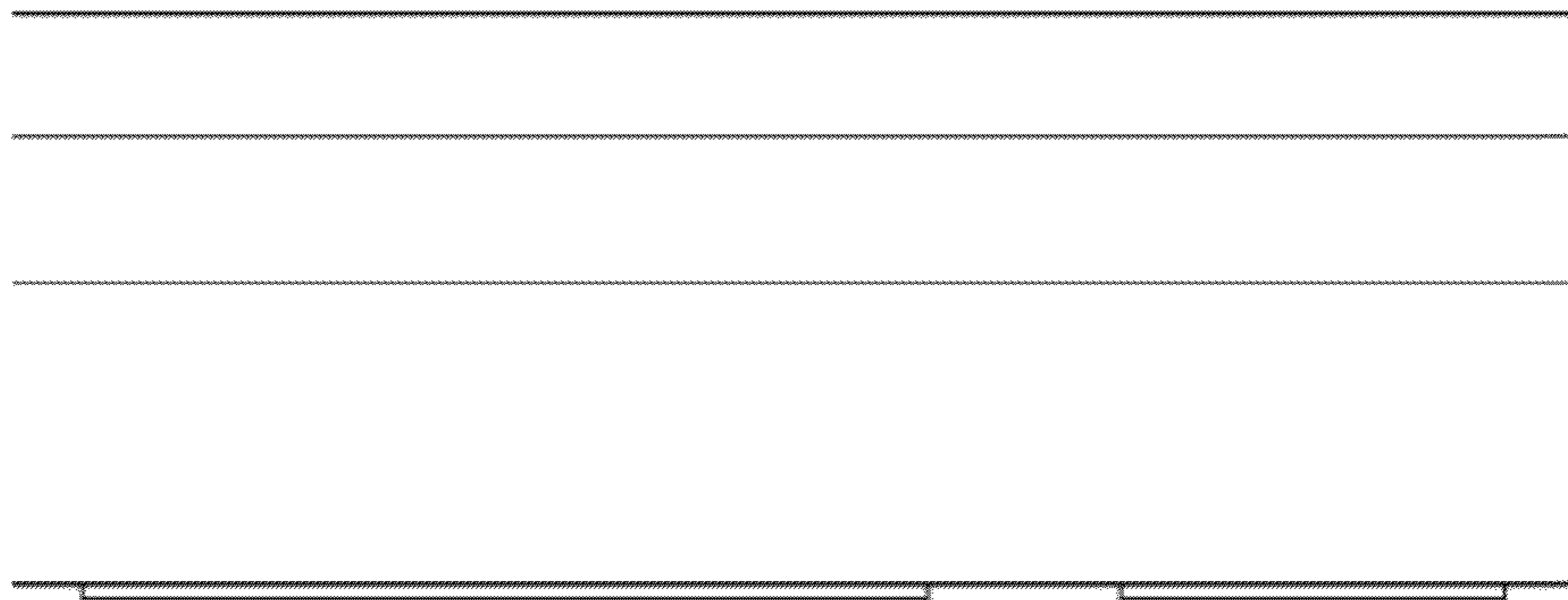


Fig. 5

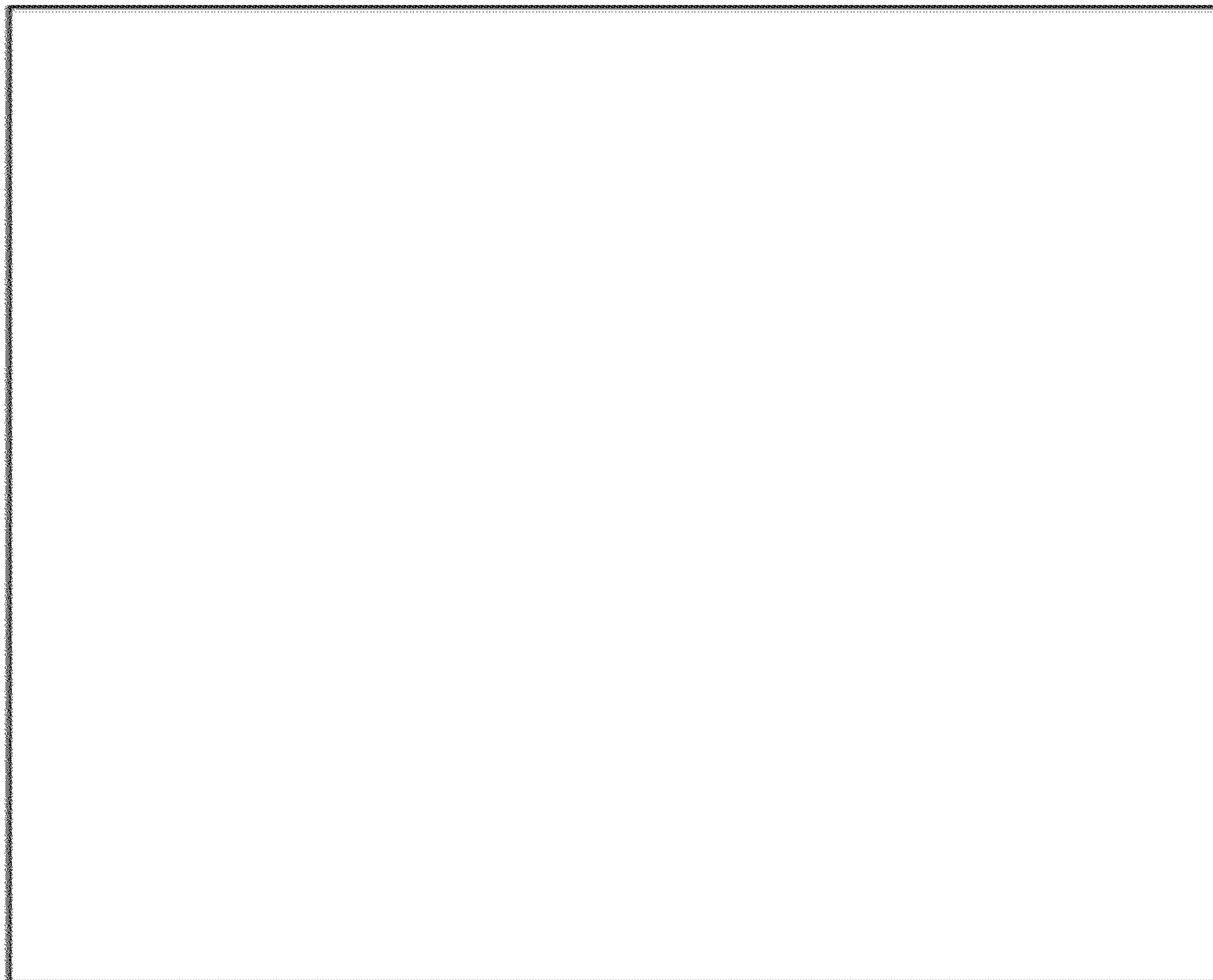


Fig. 6

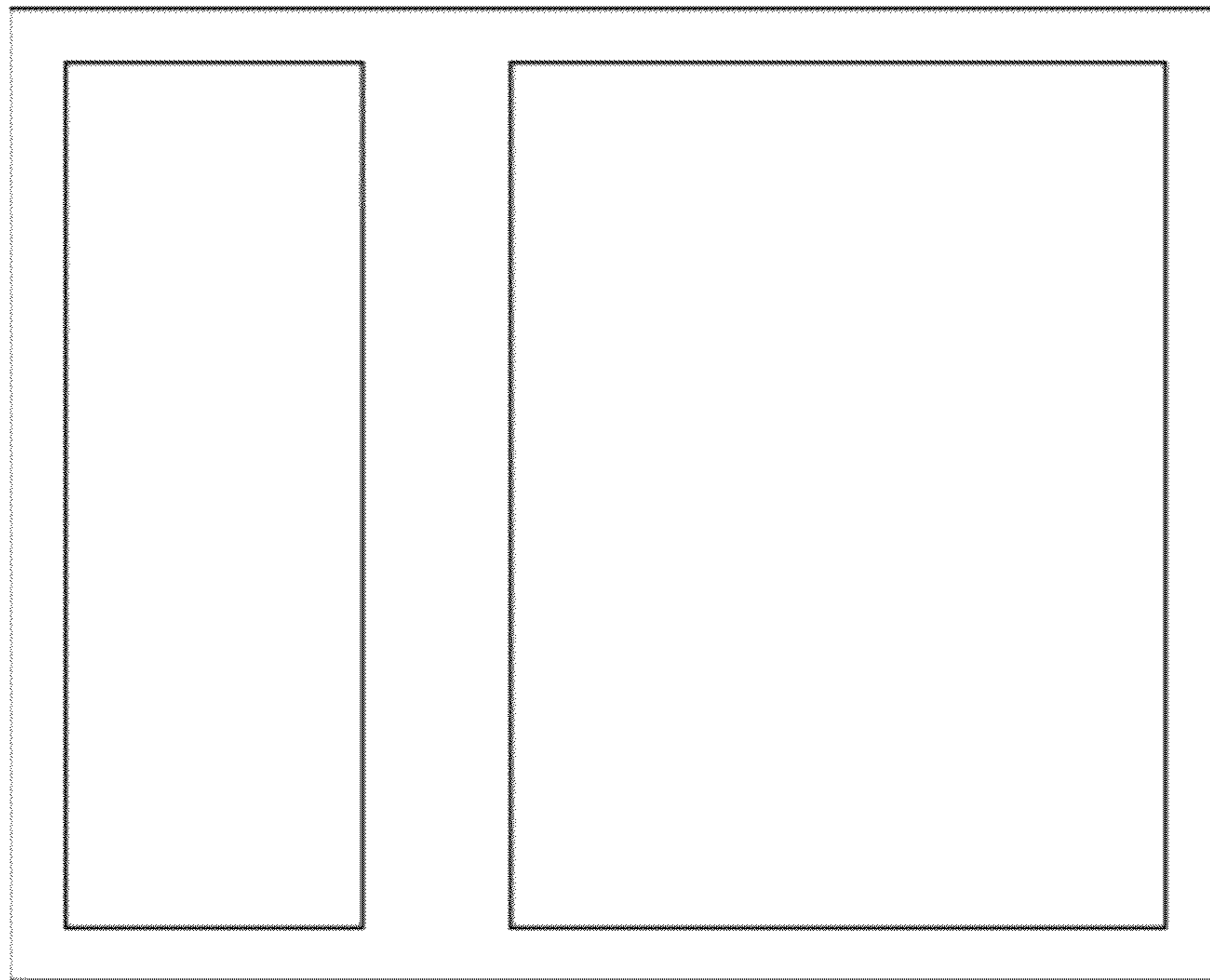


Fig. 7

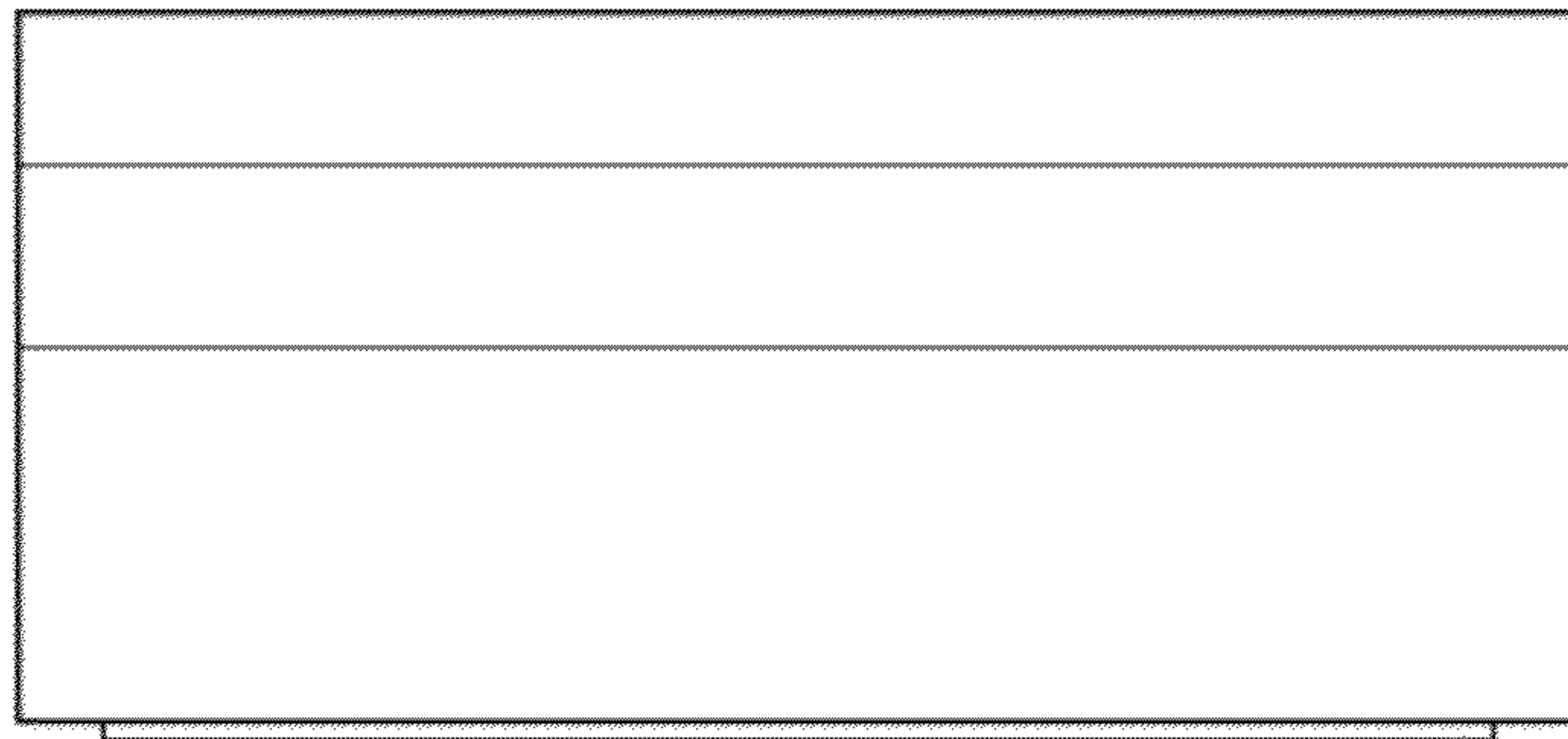
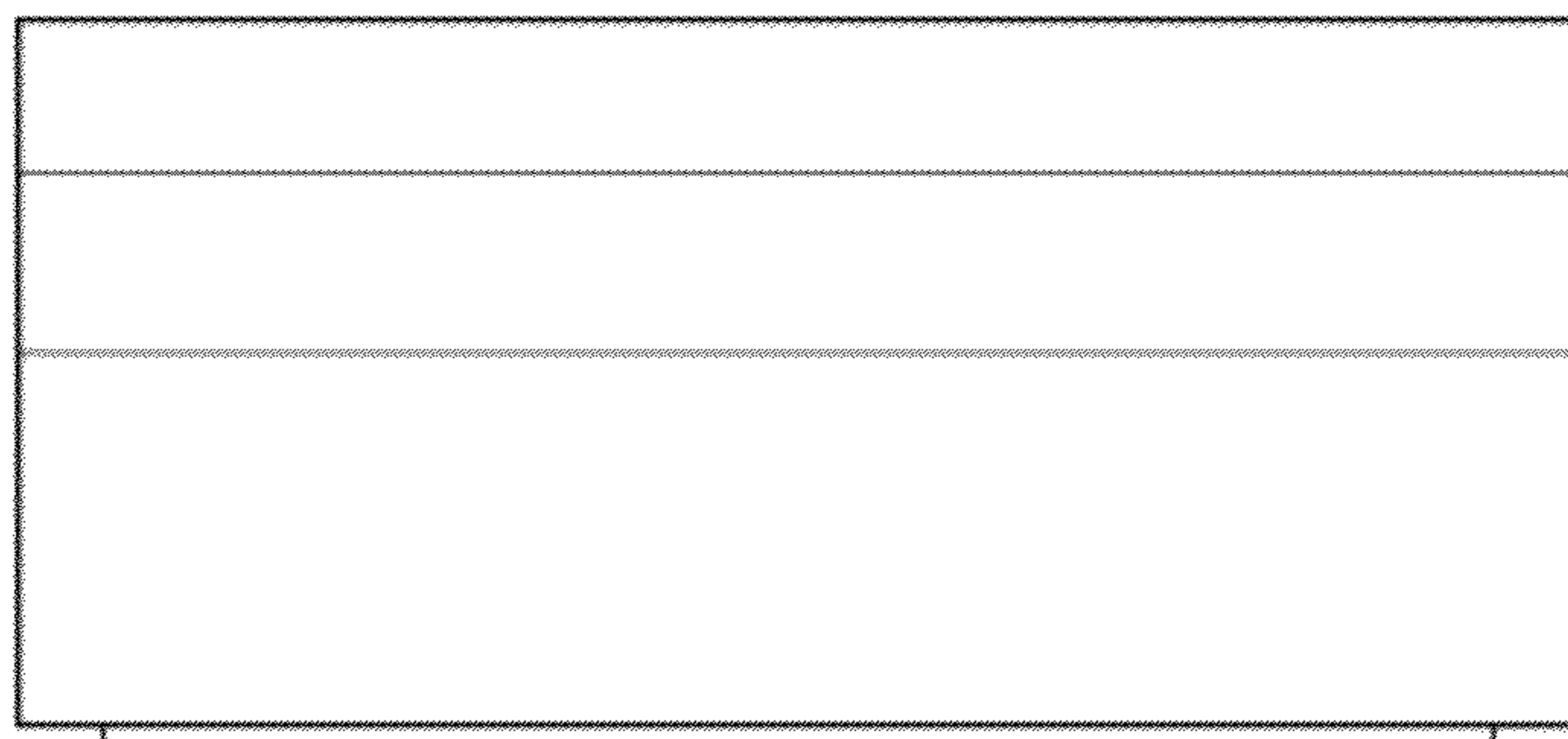


Fig. 8



UNITED STATES PATENT AND TRADEMARK OFFICE
CERTIFICATE OF CORRECTION

PATENT NO. : D676,002 S
APPLICATION NO. : 29/410323
DATED : February 12, 2013
INVENTOR(S) : Yusuke Watanabe

Page 1 of 2

It is certified that error appears in the above-identified patent and that said Letters Patent is hereby corrected as shown below:

Drawings: delete Figures 3, 4 and 6 and replace with the following corrected drawings --

Fig. 3

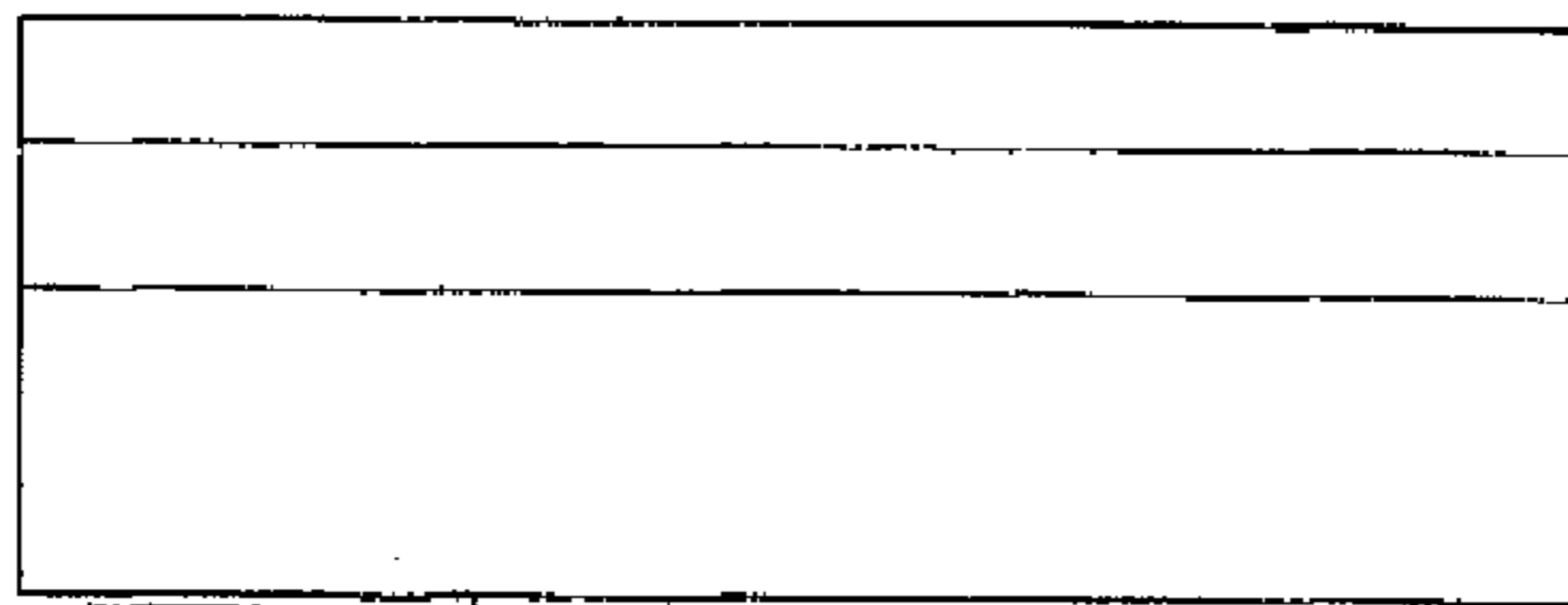
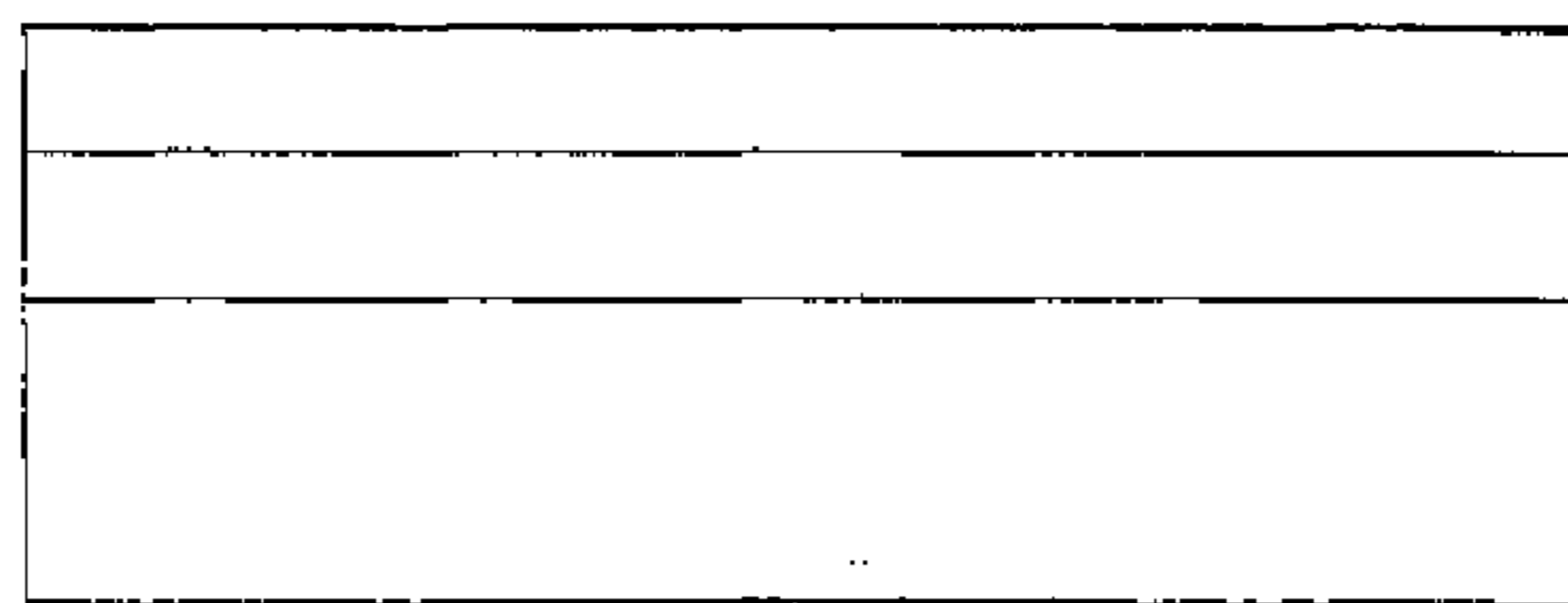


Fig. 4



Signed and Sealed this
Thirtieth Day of April, 2013



Teresa Stanek Rea
Acting Director of the United States Patent and Trademark Office

Fig. 6

