



US00D676001S

(12) **United States Design Patent**  
**Hsu et al.**

(10) **Patent No.:** **US D676,001 S**  
(45) **Date of Patent:** **\*\* Feb. 12, 2013**

- (54) **LIGHT EMITTING DIODE**
- (75) Inventors: **Chia-Liang Hsu**, Hsinchu (TW);  
**Chun-Yi Wu**, Hsinchu (TW); **Shih-I Chen**, Hsinchu (TW)
- (73) Assignee: **Epistar Corporation**, Hsinchu (TW)
- (\*\*) Term: **14 Years**
- (21) Appl. No.: **29/389,215**
- (22) Filed: **Apr. 7, 2011**
- (51) **LOC (9) Cl.** ..... **13-03**
- (52) **U.S. Cl.** ..... **D13/180**
- (58) **Field of Classification Search** ..... D13/180;  
D26/1, 2; 257/79, 80, 81, 88, 89, 95, 98,  
257/99, 100, E33.058; 313/483, 498, 500;  
362/555, 800  
See application file for complete search history.

- D635,525 S \* 4/2011 Edmond et al. .... D13/180
- D647,493 S \* 10/2011 Chang et al. .... D13/180
- D647,494 S \* 10/2011 Chang et al. .... D13/180
- D647,495 S \* 10/2011 Chang et al. .... D13/180
- 2003/0107053 A1\* 6/2003 Uemura et al. .... 257/200
- 2003/0230754 A1\* 12/2003 Steigerwald et al. .... 257/91
- 2006/0237735 A1\* 10/2006 Naulin et al. .... 257/98
- 2007/0085095 A1\* 4/2007 Ko et al. .... 257/94
- 2009/0283787 A1\* 11/2009 Donofrio et al. .... 257/98

\* cited by examiner

*Primary Examiner* — Selina Sikder  
(74) *Attorney, Agent, or Firm* — Patterson Thuent  
Christensen Pedersen, P.A.

(57) **CLAIM**  
The ornamental design for a light emitting diode, as shown and described.

**DESCRIPTION**

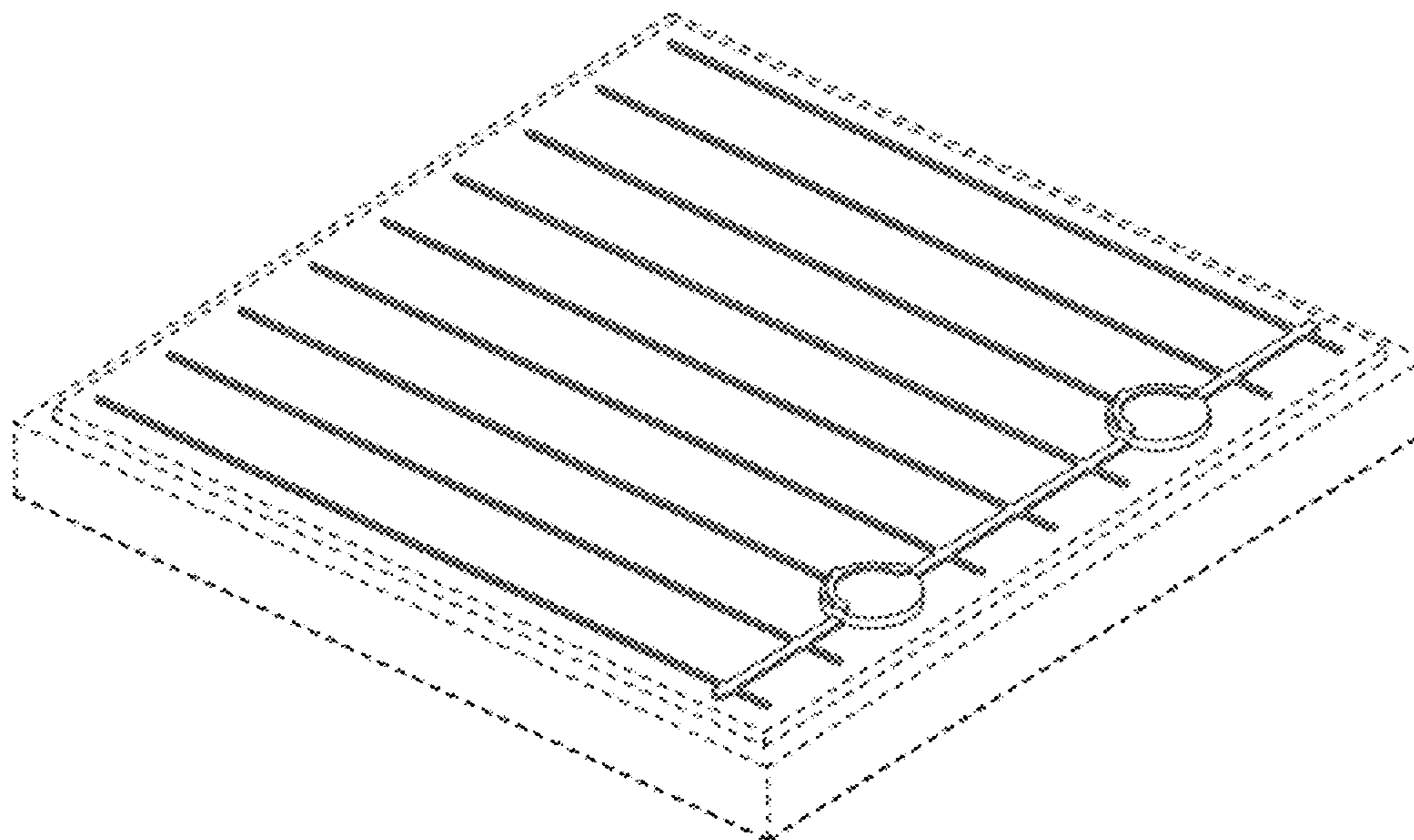
FIG. 1 is a perspective view of the first embodiment showing the claimed design;  
FIG. 2 is a front elevational view of FIG. 1;  
FIG. 3 is a rear elevational view of FIG. 1;  
FIG. 4 is a left side elevational view of FIG. 1;  
FIG. 5 is a right side elevational view of FIG. 1; and,  
FIG. 6 is a bottom plan view of FIG. 1, which is a mirror image of the top plan view.  
The broken lines are directed to environment and are for illustrative purpose only; the broken lines form no part of the claimed design.

**1 Claim, 4 Drawing Sheets**

(56) **References Cited**

U.S. PATENT DOCUMENTS

- 6,614,056 B1 \* 9/2003 Tarsa et al. .... 257/91
- 6,921,924 B2 \* 7/2005 Tsai et al. .... 257/95
- 7,436,066 B2 \* 10/2008 Sonobe et al. .... 257/767
- D580,888 S \* 11/2008 Liu ..... D13/180
- D593,968 S \* 6/2009 Edmond et al. .... D13/180
- D599,748 S \* 9/2009 Liu ..... D13/180
- D606,949 S \* 12/2009 Liu ..... D13/180
- D633,876 S \* 3/2011 Shan et al. .... D13/180



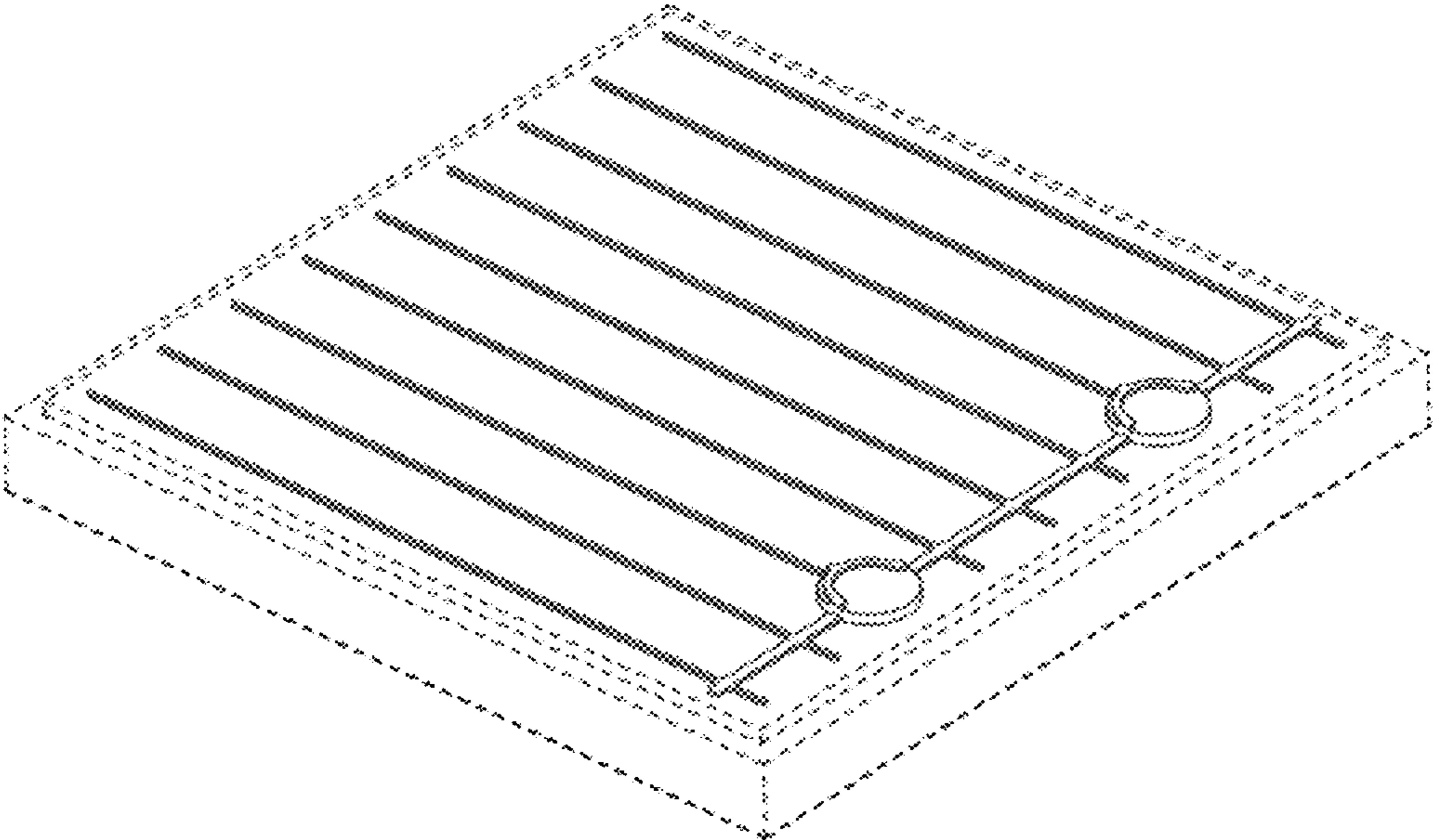


FIG. 1

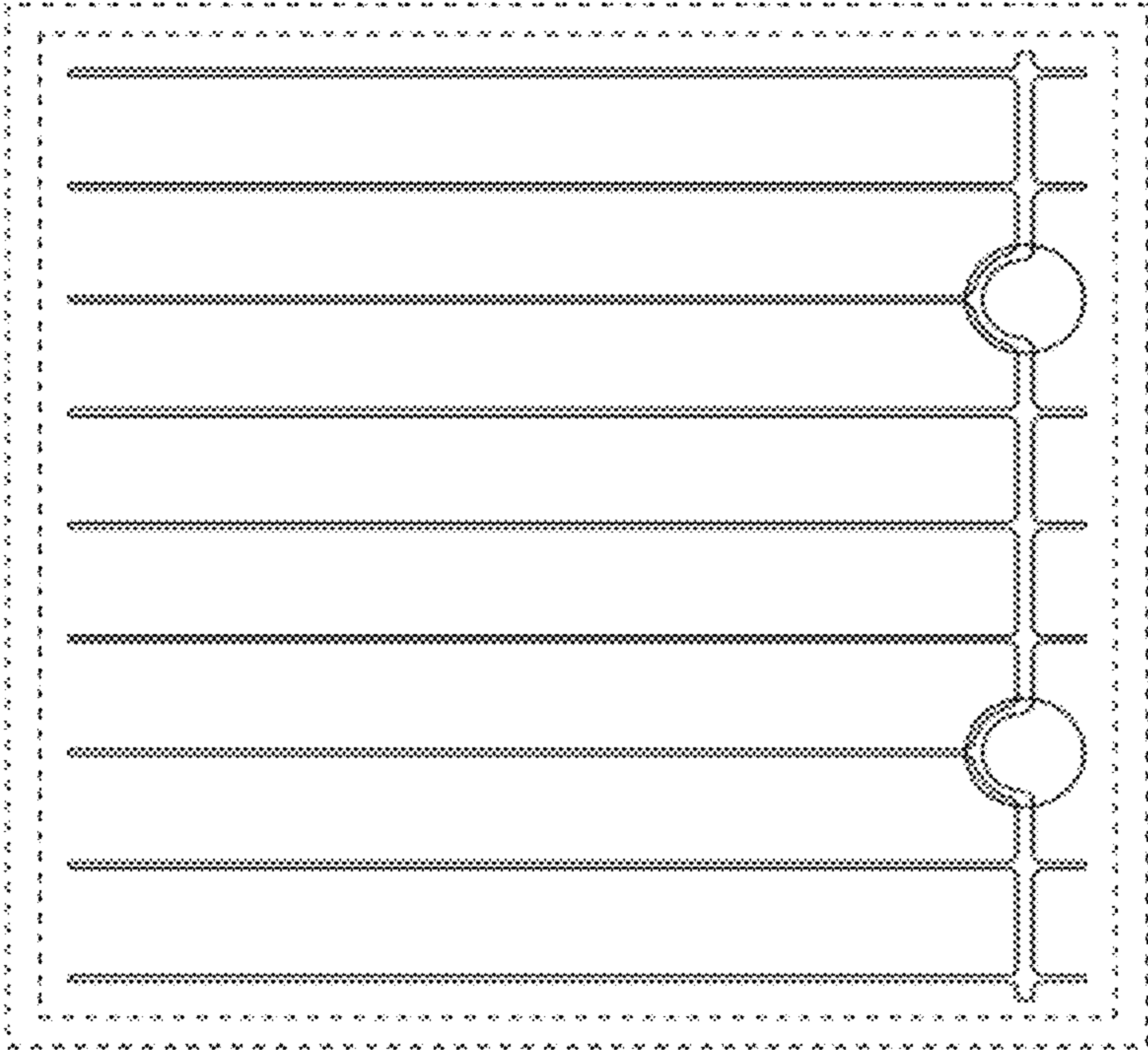


FIG. 2



FIG. 3

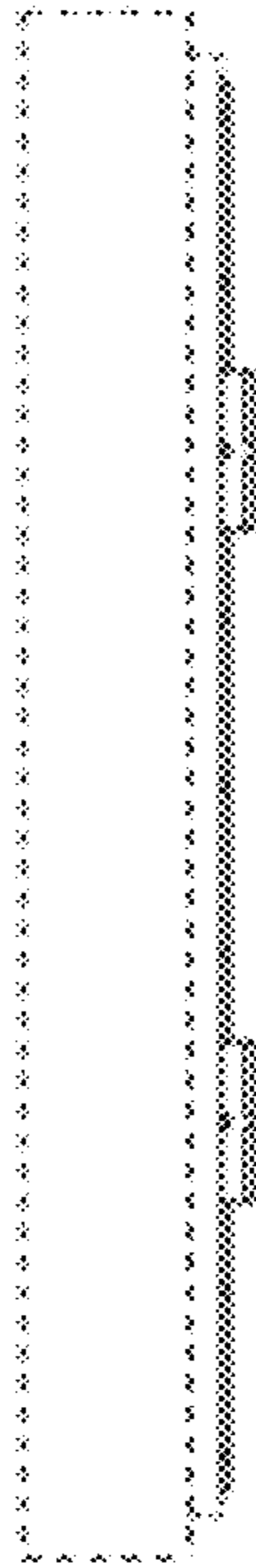


FIG. 4

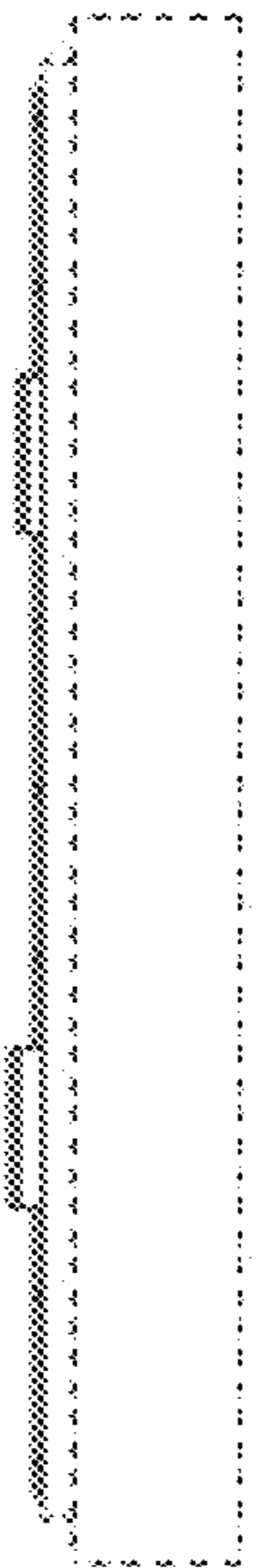


FIG. 5

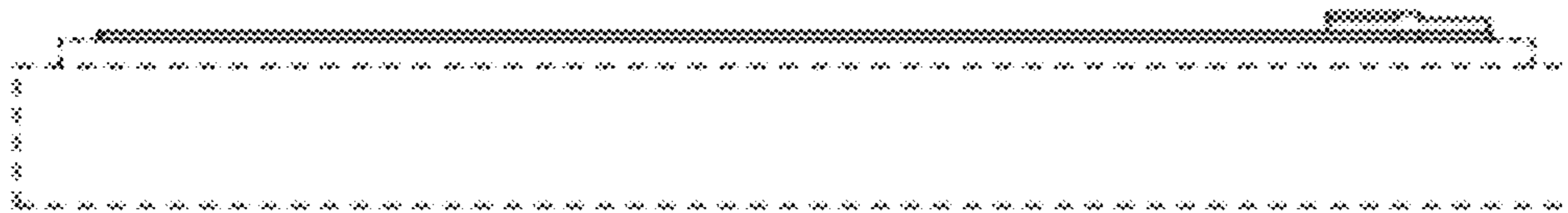


FIG.6