

US00D676000S

(12) **United States Design Patent**
Hussell et al.

(10) **Patent No.:** **US D676,000 S**
(45) **Date of Patent:** **** *Feb. 12, 2013**

(54) **LIGHT EMITTING DEVICE PACKAGE**

(75) Inventors: **Christopher P. Hussell**, Cary, NC (US);
Peter Scott Andrews, Durham, NC
(US); **Jesse Colin Reiherzer**, Wake
Forest, NC (US)

(73) Assignee: **Cree, Inc.**, Durham, NC (US)

(*) Notice: This patent is subject to a terminal disclaimer.

(**) Term: **14 Years**

(21) Appl. No.: **29/380,387**

(22) Filed: **Dec. 3, 2010**

Related U.S. Application Data

(63) Continuation-in-part of application No. 29/379,636,
filed on Nov. 22, 2010, now Pat. No. Des. 650,760.

(51) **LOC (9) Cl.** **13-03**

(52) **U.S. Cl.** **D13/180**

(58) **Field of Classification Search** D13/180;
D26/1, 2; 257/79, 80, 81, 88, 89, 95, 98,
257/99, 100, E33.058; 313/483, 498, 500;
362/555, 800

See application file for complete search history.

(56) **References Cited**

U.S. PATENT DOCUMENTS

34,861	A	4/1862	Knowlton et al.	
4,946,547	A	8/1990	Palmour	
5,200,022	A	4/1993	Kong	
7,224,000	B2 *	5/2007	Aanegola et al.	257/98
D570,797	S *	6/2008	Song	D13/180
D573,553	S	7/2008	Uemoto et al.	
D576,576	S	9/2008	Shida et al.	
7,482,636	B2	1/2009	Murayama et al.	
D589,470	S	3/2009	Chen	
D591,248	S *	4/2009	Imai et al.	D13/180
D593,043	S	5/2009	Song	
D602,451	S	10/2009	Gielen	
D603,813	S	11/2009	Nishimura et al.	
D607,420	S *	1/2010	Imai et al.	D13/180

7,649,209	B2	1/2010	Hussell et al.	
D615,052	S	5/2010	Imai et al.	
D618,635	S *	6/2010	Imai et al.	D13/180
7,825,578	B2	11/2010	Takashima et al.	
7,872,418	B2	1/2011	Hata et al.	
D637,564	S	5/2011	Tseng et al.	
D645,417	S *	9/2011	Imai et al.	D13/180
D650,760	S *	12/2011	Hussell et al.	D13/180
2004/0196663	A1 *	10/2004	Ishida et al.	362/539
2006/0186418	A1	8/2006	Edmond	
2007/0018295	A1 *	1/2007	Kim et al.	257/678
2007/0029569	A1	2/2007	Andrews	
2008/0054279	A1	3/2008	Hussell et al.	

(Continued)

FOREIGN PATENT DOCUMENTS

JP	10-311937	11/1998
JP	2001-294083	10/2001

(Continued)

OTHER PUBLICATIONS

U.S. Appl. No. 13/104,558 for "Light Emitting Devices and Methods" filed May 10, 2011.

(Continued)

Primary Examiner — Selina Sikder

(74) *Attorney, Agent, or Firm* — Jenkins, Wilson, Taylor & Hunt, P.A.

(57) **CLAIM**

The ornamental design for a light emitting device package, as shown and described.

DESCRIPTION

FIG. 1 is a perspective view of a light emitting device package showing our design;

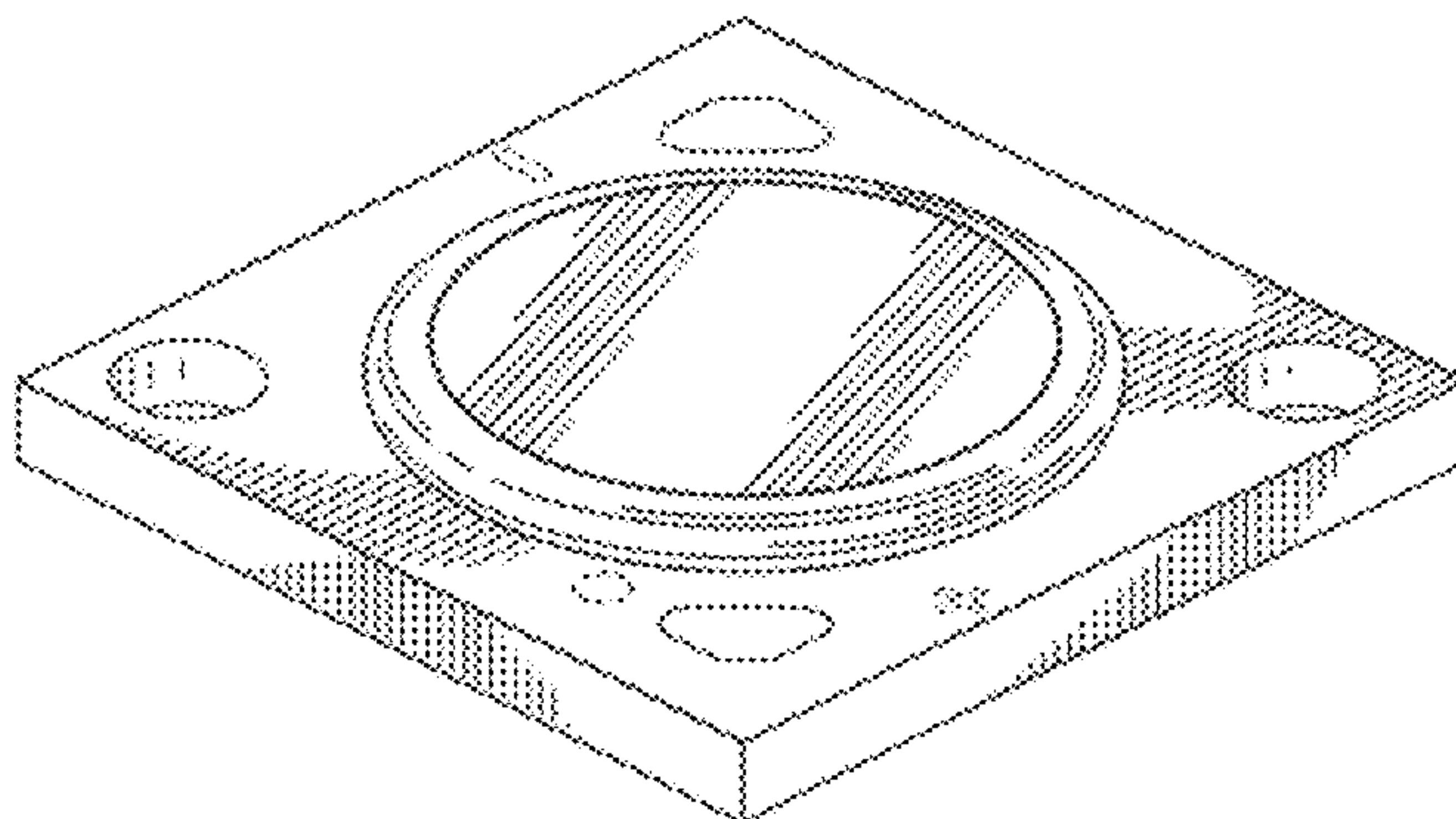
FIG. 2 is a top view thereof;

FIG. 3 is a side view thereof, the opposing and adjacent sides being mirror images of that shown; and,

FIG. 4 is a bottom view thereof.

The dashed broken lines are for illustrative purpose only and form no part of the claimed design.

1 Claim, 3 Drawing Sheets



U.S. PATENT DOCUMENTS

2008/0054284 A1 3/2008 Hussell et al.
2008/0054286 A1* 3/2008 Loh et al. 257/98
2008/0224166 A1 9/2008 Glovatsky et al.
2008/0258130 A1 10/2008 Bergmann
2009/0261374 A1 10/2009 Hayashi
2010/0078664 A1 4/2010 Helbing
2010/0141182 A1 6/2010 Shi
2010/0253248 A1 10/2010 Shi
2010/0320483 A1* 12/2010 Kadotani et al. 257/88
2011/0291151 A1* 12/2011 Matsuda et al. 257/99
2012/0126255 A1 5/2012 Hussell et al.
2012/0126257 A1 5/2012 Reiherzer et al.

FOREIGN PATENT DOCUMENTS

JP 2006-294898 10/2006
JP 2009-044055 2/2009
JP 2010-009972 1/2010
WO WO 2012/071139 5/2012

OTHER PUBLICATIONS

Bridgelux Product Data Sheet—1 page <http://www.bridgelux.com/products/ledarray.html> at least as early as Nov. 18, 2010.
Citizen Co. Product Data Sheet—http://ce.citizen.co.jp/lighting_led/en/products/index.html (4 pages) at least as early as Dec. 1, 2010.
U.S. Appl. No. 29/379,636 for “Light Emitting Device Package” filed Nov. 22, 2010.

U.S. Appl. No. 13/028,972 for “Light Emitting Devices and Methods” filed Feb. 16, 2011.
Notice of Allowance for U.S. Appl. No. 29/379,636 dated Aug. 4, 2011.
U.S. Appl. No. 29/404,913 for “Light Emitting Device Component” filed Oct. 26, 2011.
U.S. Appl. No. 13/224,850 for “Light Emitting Device Component” filed Sep. 2, 2011.
U.S. Appl. No. 29/379,636 for “Light Emitting Device Package” filed Nov. 22, 2011.
U.S. Appl. No. 29/408,955 for “Light Emitting Device Package” filed Dec. 19, 2011.
Notification of Granting Patent Right for Design for Application Serial No. CN 2011/30166527.9 dated Apr. 6, 2012.
Notification of Granting Patent Right for Design for Application Serial No. CN 2011/30139847.5 dated Apr. 26, 2012.
Notice of Allowance for U.S. Appl. No. 29/408,955 dated May 7, 2012.
Notice of Allowance for U.S. Appl. No. 29/407,084 dated May 18, 2012.
International Search Report and Written Opinion for Application Serial No. PCT/US2011/058603 dated May 23, 2012.
International Search Report and Written Opinion for Application Serial No. PCT/US2011/058601 dated May 24, 2012.

* cited by examiner

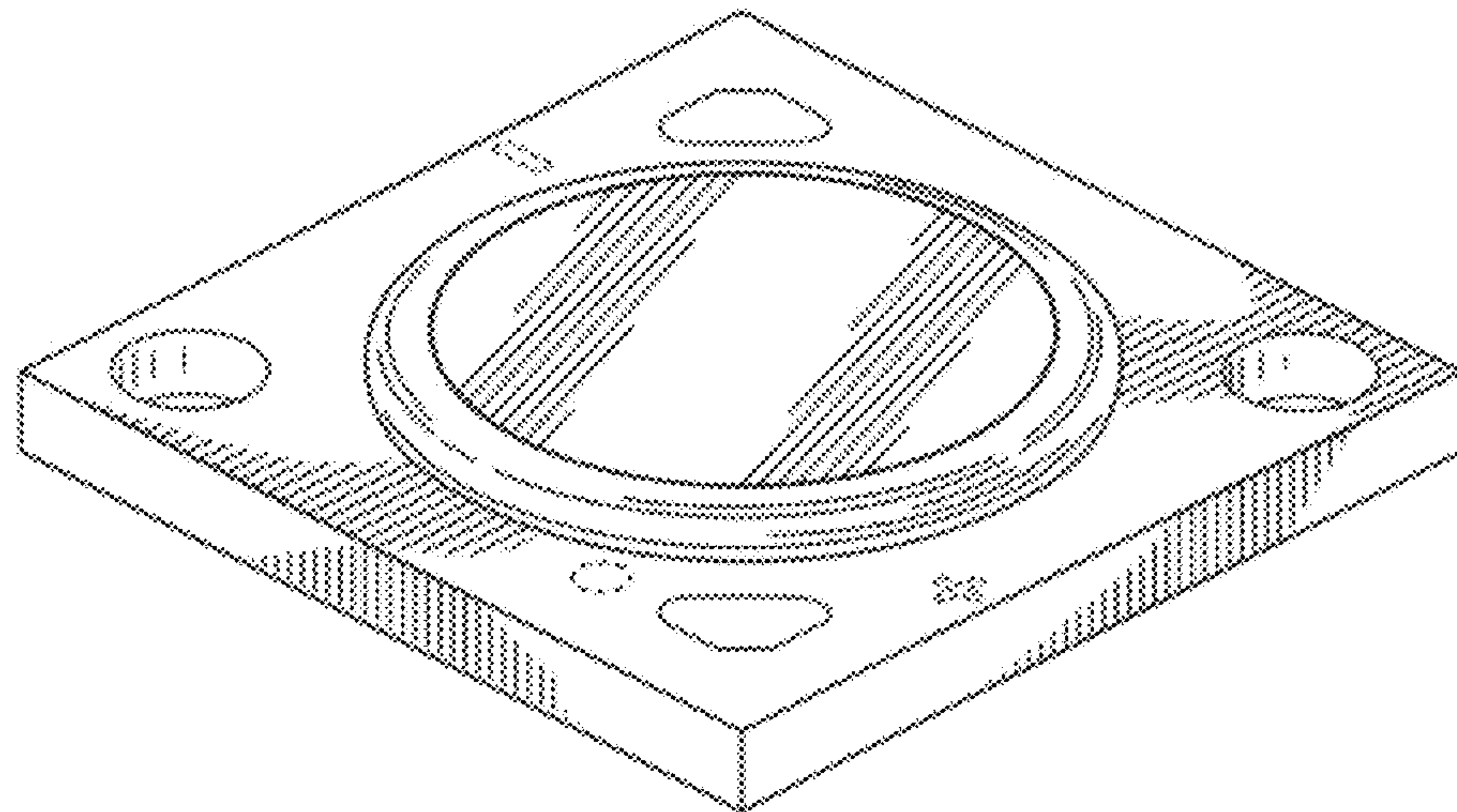


FIG. 1

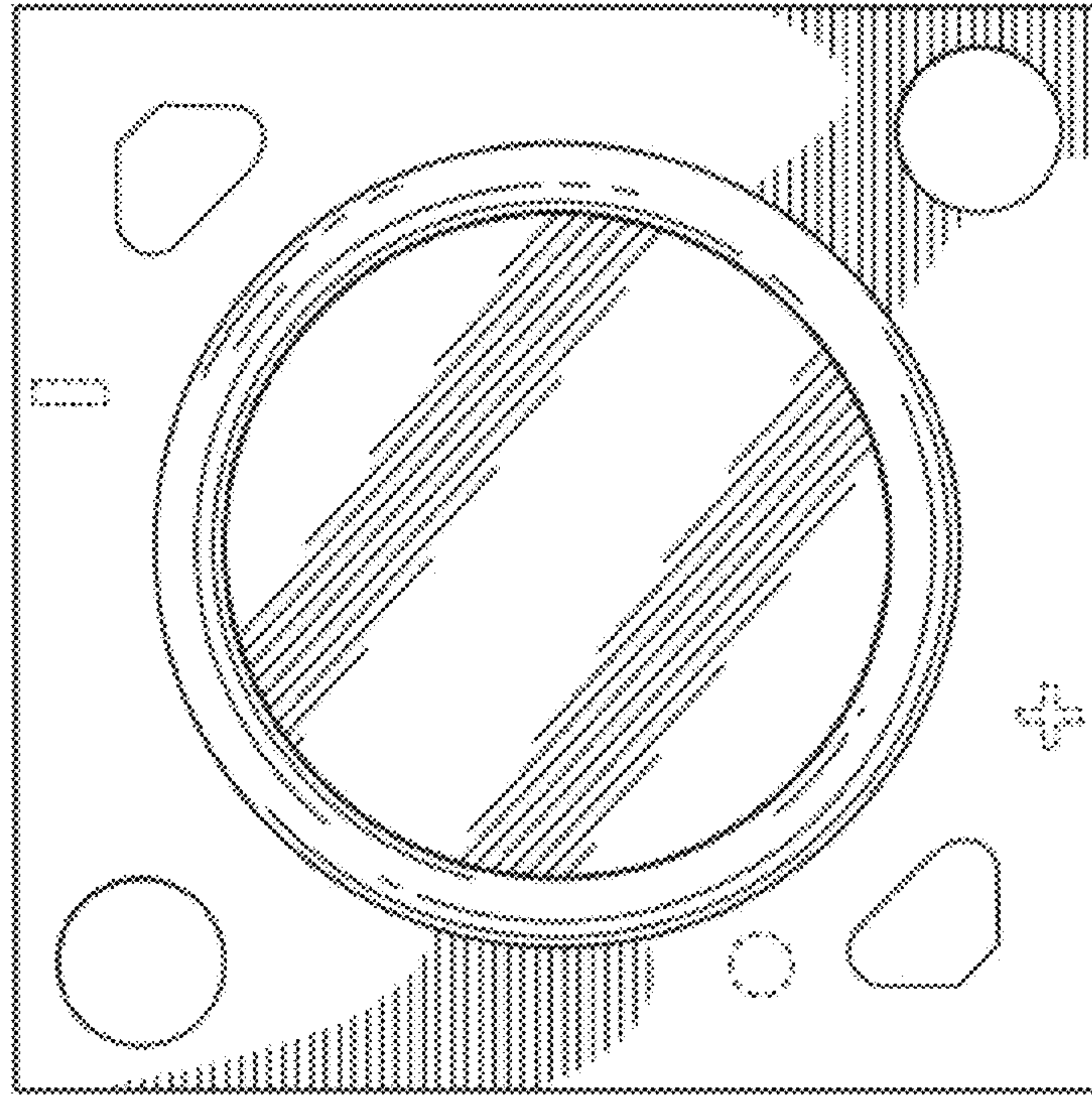


FIG. 2

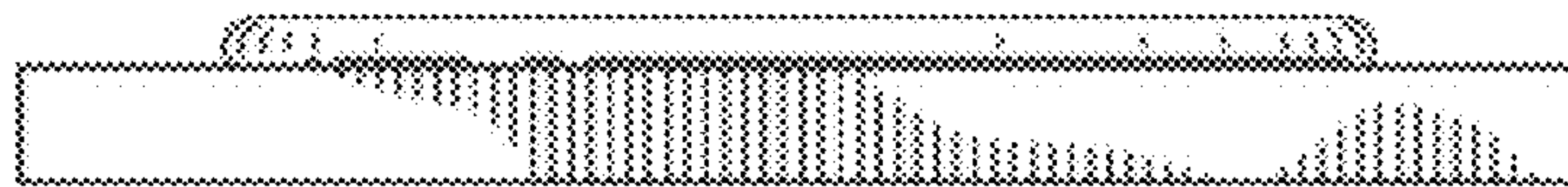


FIG. 3

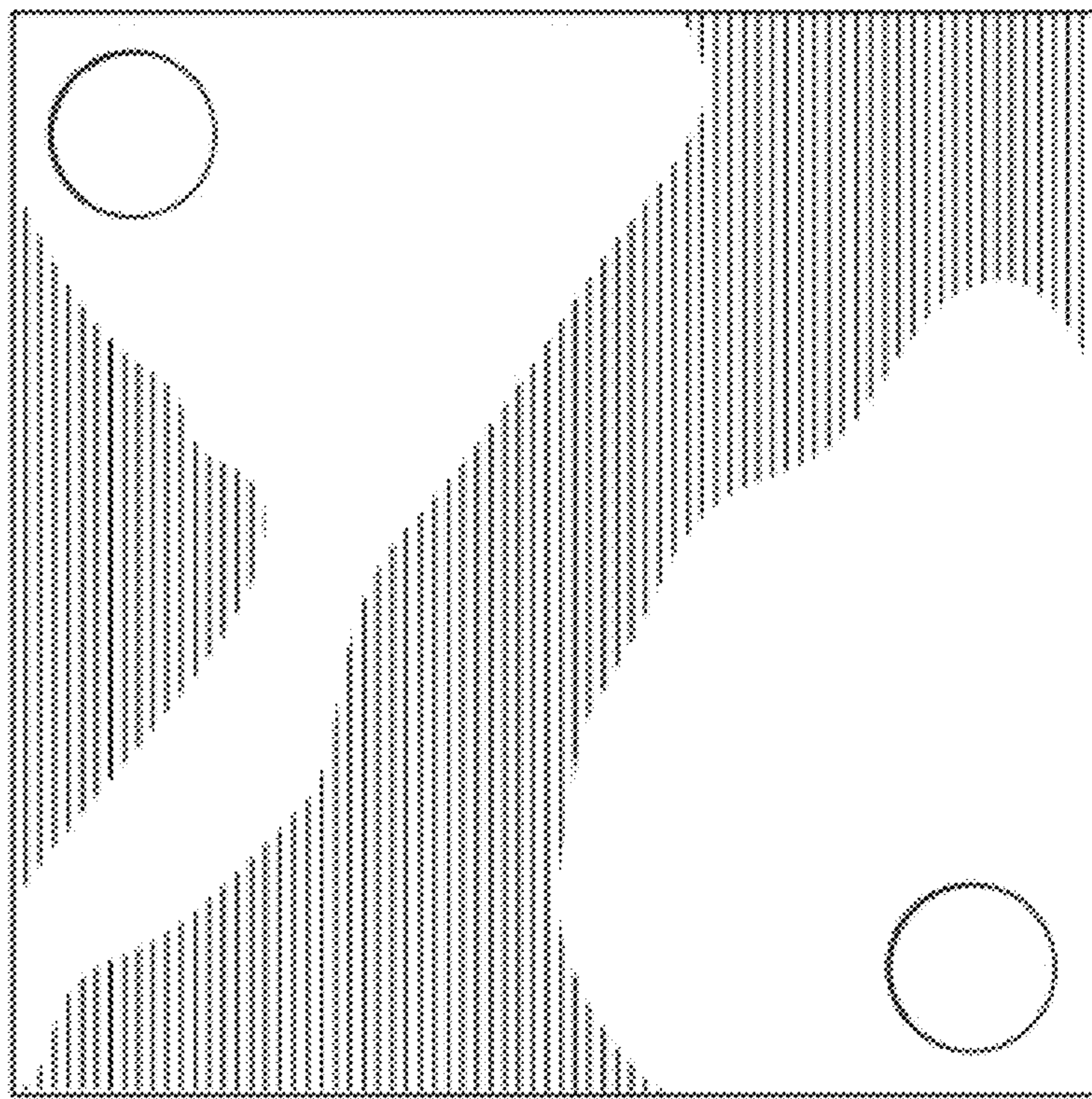


FIG. 4