



US00D675999S

(12) **United States Design Patent**
Puskar-Pasewicz

(10) **Patent No.:** **US D675,999 S**

(45) **Date of Patent:** **** Feb. 12, 2013**

(54) **ELECTRICAL DEVICE ENCLOSURE LID HAVING A REFLECTIVE COVER**

(75) Inventor: **John Matthew Puskar-Pasewicz**,
Pittsburgh, PA (US)

(73) Assignee: **Eaton Corporation**, Cleveland, OH
(US)

(**) Term: **14 Years**

(21) Appl. No.: **29/383,876**

(22) Filed: **Jan. 24, 2011**

(51) **LOC (9) Cl.** **13-03**

(52) **U.S. Cl.** **D13/177; D13/184**

(58) **Field of Classification Search** D13/162,
D13/164, 177, 184; D14/240; 174/66; 200/293,
200/308; 220/3.2, 3.3; 361/600, 601, 622,
361/679.01; 362/341, 362; 700/17, 65, 83,
700/276

See application file for complete search history.

(56) **References Cited**

U.S. PATENT DOCUMENTS

D106,306	S	*	10/1937	Lantz, Jr.	D13/177
D106,369	S	*	10/1937	Lantz, Jr.	D13/177
3,884,560	A	*	5/1975	Neylan et al.	359/867
D299,465	S	*	1/1989	Helstab	D14/355
D332,443	S	*	1/1993	Sharpe	D13/184
D342,523	S	*	12/1993	Morgan et al.	D14/250
D348,469	S	*	7/1994	Johnson et al.	D14/240
D376,350	S	*	12/1996	Worley et al.	D13/184
5,716,127	A	*	2/1998	Menke et al.	362/307
D399,190	S	*	10/1998	Dale et al.	D13/184
D401,568	S	*	11/1998	Alden et al.	D13/184
D402,275	S	*	12/1998	Korhonen	D13/184
D405,766	S	*	2/1999	Hartel et al.	D13/184
D437,586	S	*	2/2001	Sonntag	D13/184
6,264,342	B1	*	7/2001	von Hagen	362/17

D449,279	S	*	10/2001	Takach et al.	D13/152
D450,686	S	*	11/2001	Beaumont et al.	D14/140.2
D525,593	S	*	7/2006	Bailey	D13/177
D543,514	S	*	5/2007	Katz	D13/184
D562,267	S	*	2/2008	Renner	D13/177
2010/0238671	A1	*	9/2010	Catone et al.	362/373
2011/0019404	A1	*	1/2011	Chien et al.	362/235
2012/0081898	A1	*	4/2012	Cave et al.	362/249.01
2012/0195052	A1	*	8/2012	Puskar-Pasewicz	362/341

* cited by examiner

Primary Examiner — Selina Sikder

(74) *Attorney, Agent, or Firm* — Dawn C. Wolff

(57) **CLAIM**

I claim the ornamental design for an electrical device enclosure lid having a reflective cover, as shown and described.

DESCRIPTION

FIG. 1 is a front perspective view of an electrical device enclosure lid having a reflective cover of the present disclosure.

FIG. 2 is a right side view of the electrical device enclosure lid having the reflective cover shown in FIG. 1. The left side of the electrical device lid is identical to the right side.

FIG. 3 is a front view of the electrical device enclosure lid having the reflective cover shown in FIG. 1.

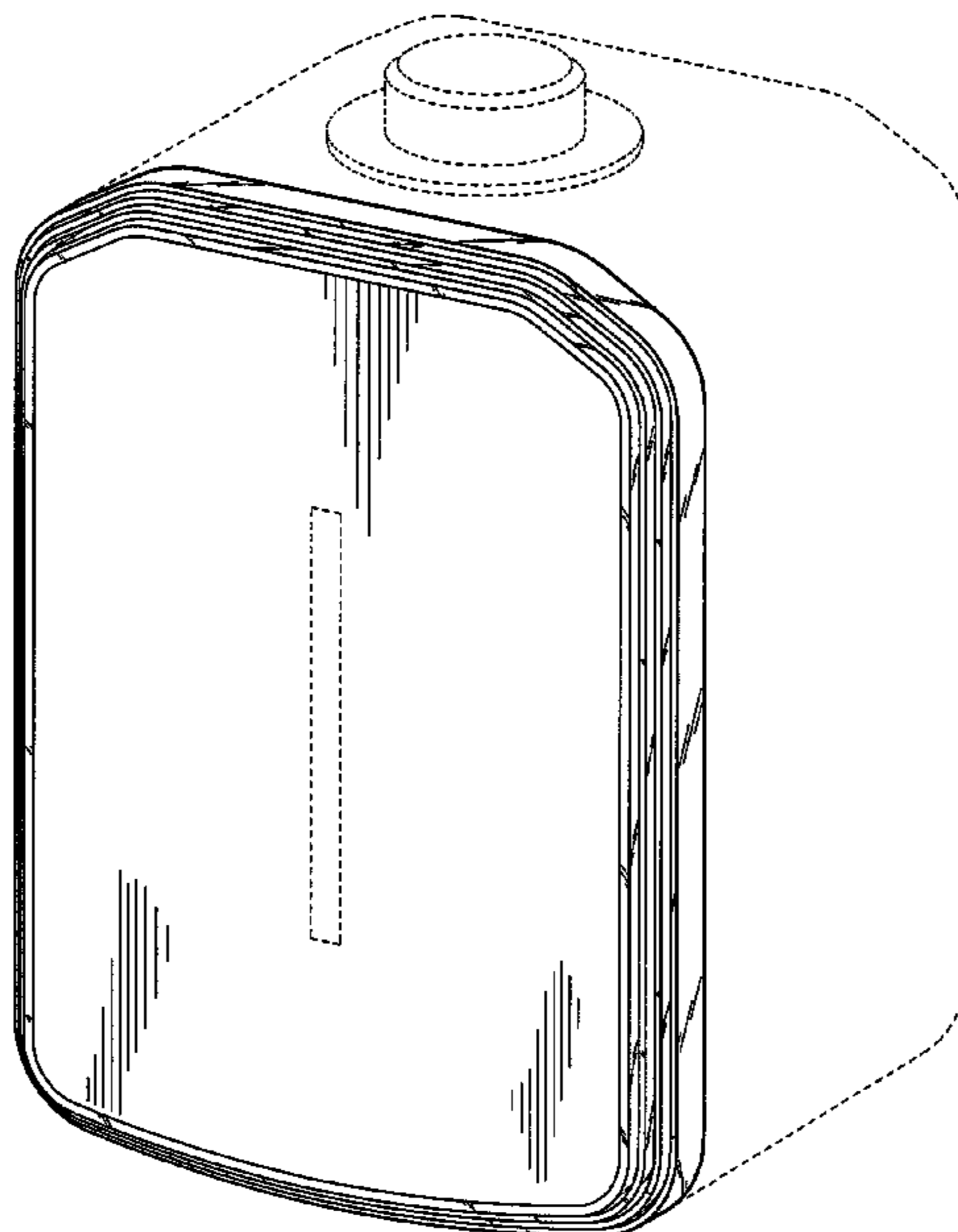
FIG. 4 is a back view of the electrical device enclosure lid having the reflective cover shown in FIG. 1.

FIG. 5 is a top plan view of the electrical device enclosure lid having the reflective cover shown in FIG. 1; and,

FIG. 6 is a bottom plan view of the electrical device enclosure lid having the reflective cover shown in FIG. 1.

Shading with oblique lines indicates transparency. Shading with orthogonal lines indicates opaqueness. The broken lines shown are for illustrative purposes only and form no part of the claimed design.

1 Claim, 4 Drawing Sheets



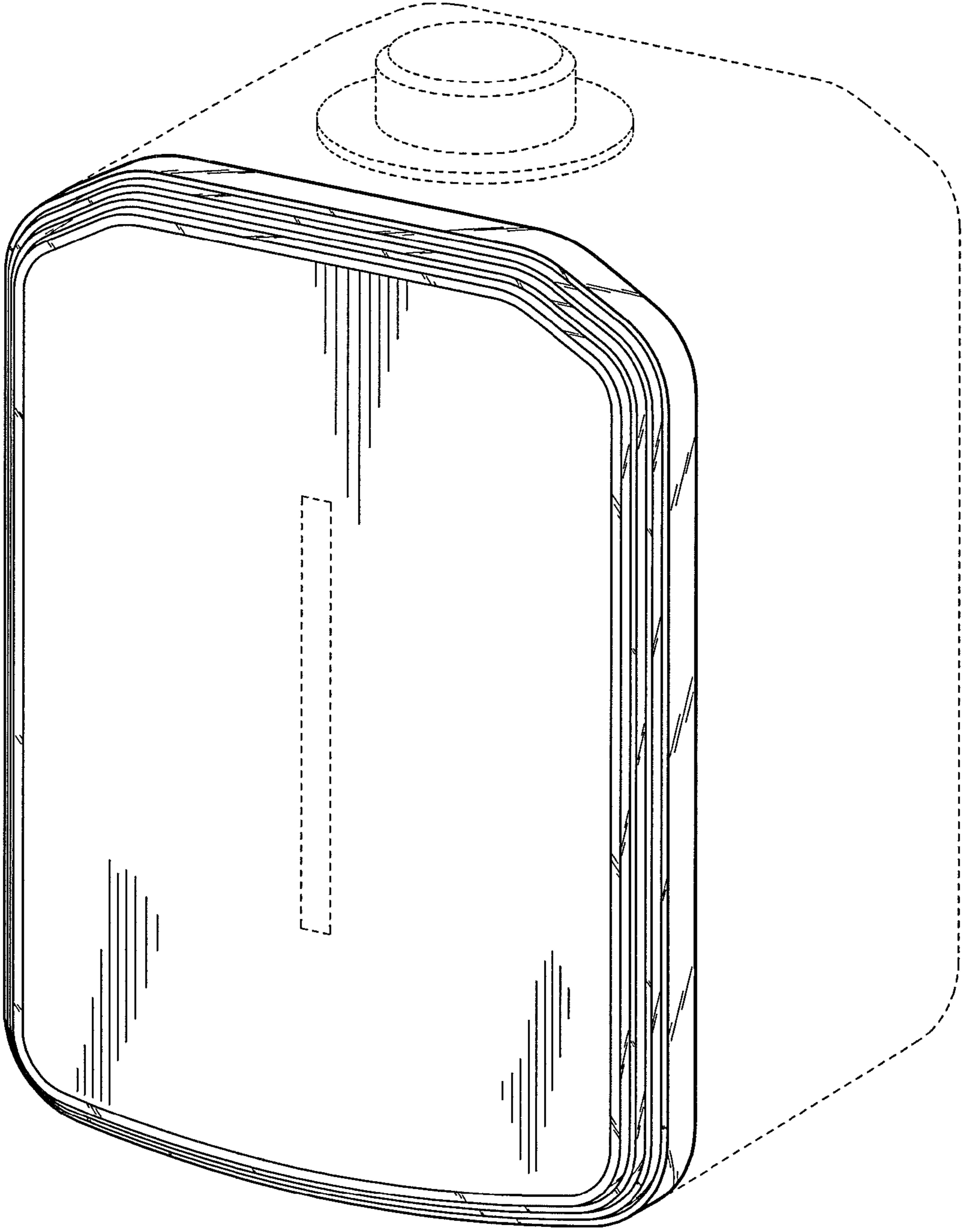


Fig. 1

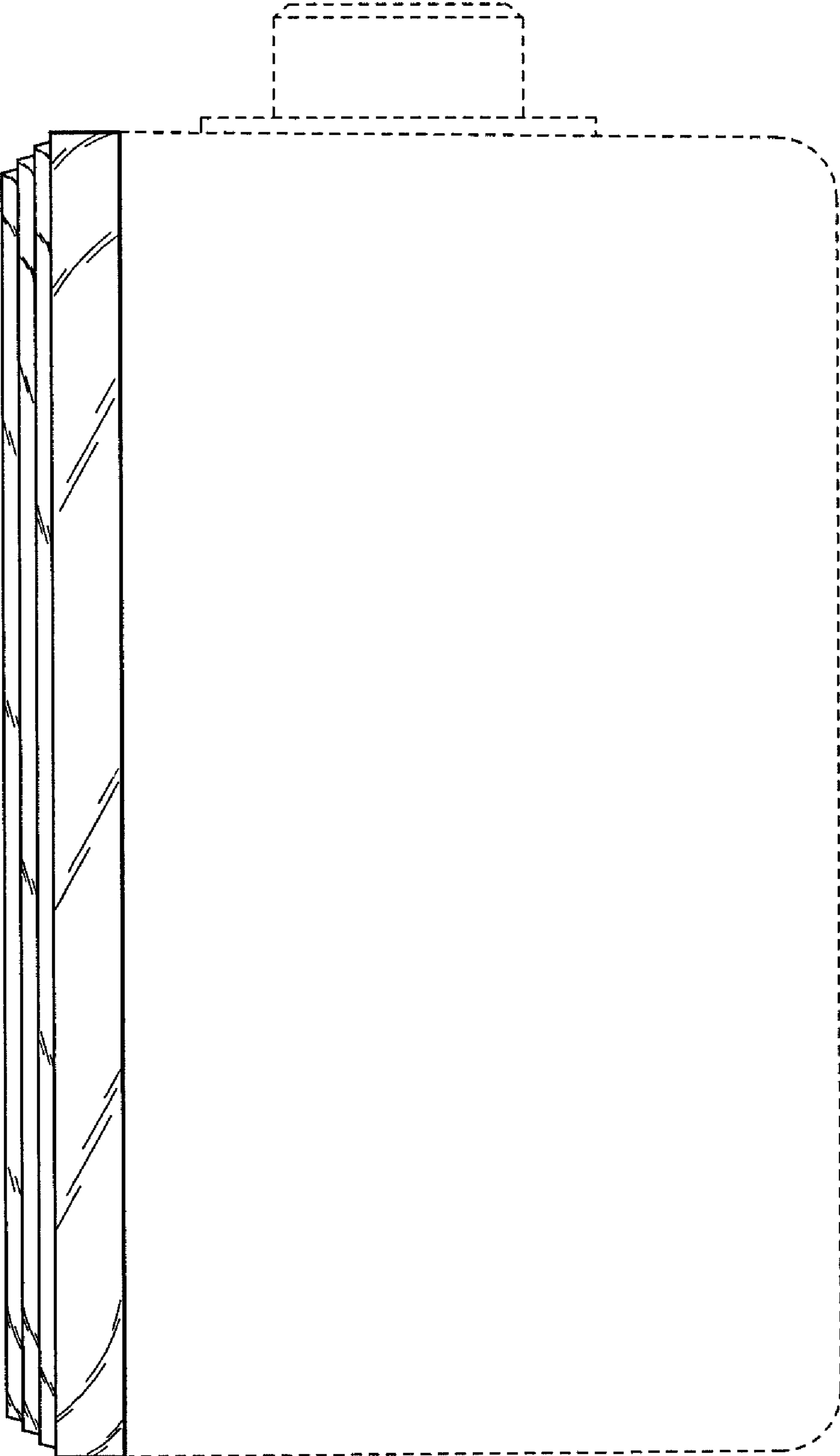


Fig. 2

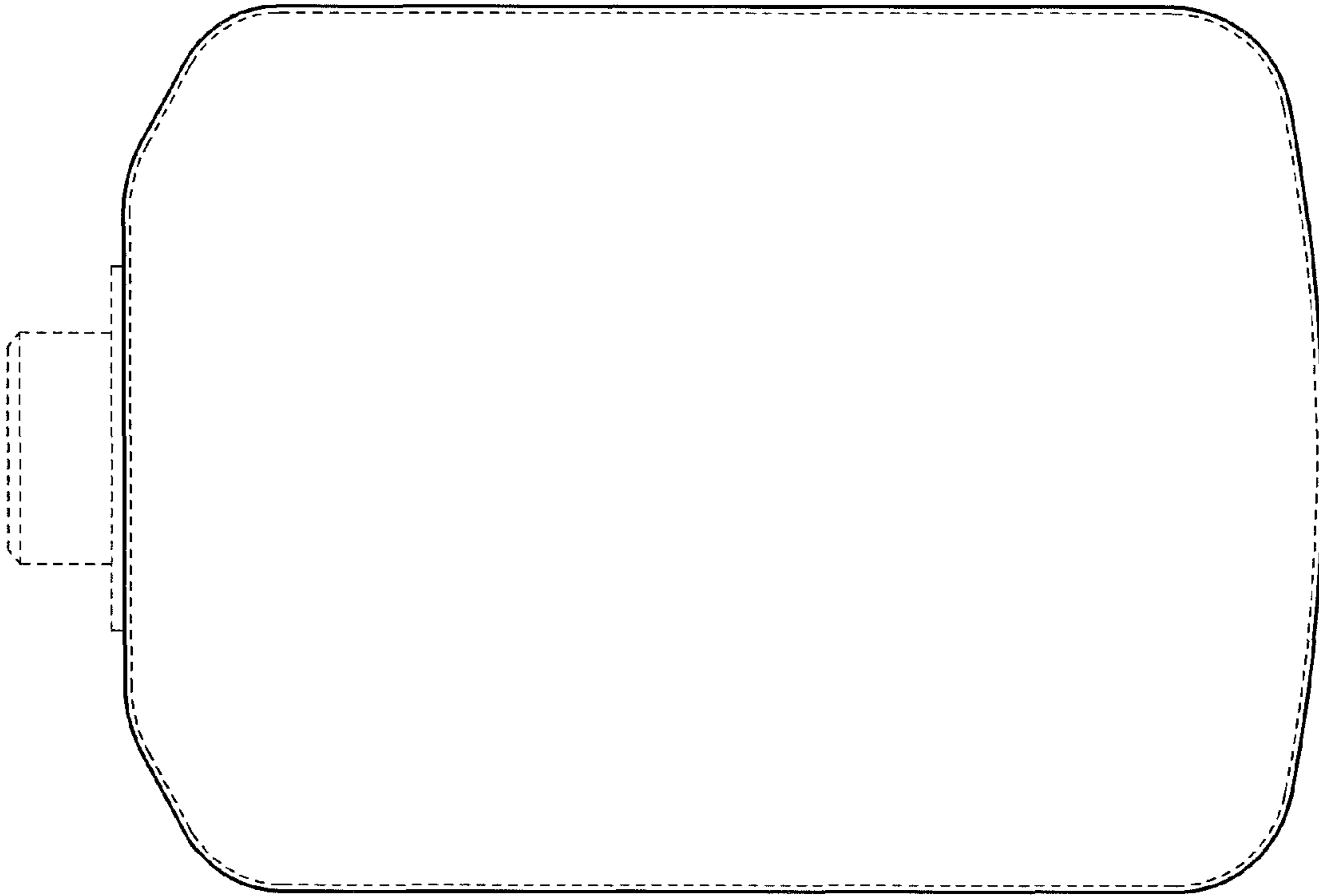


Fig. 4

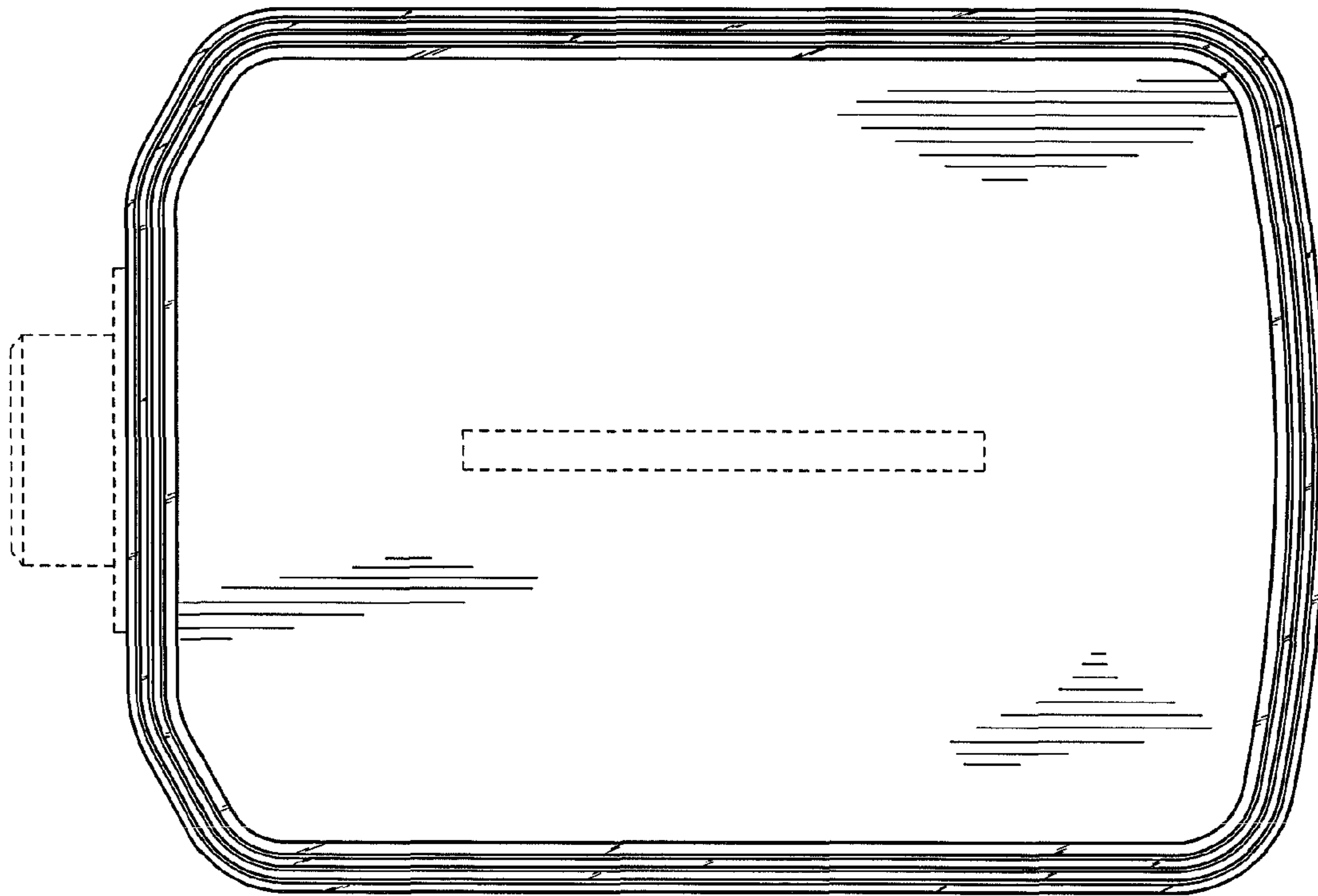


Fig. 3

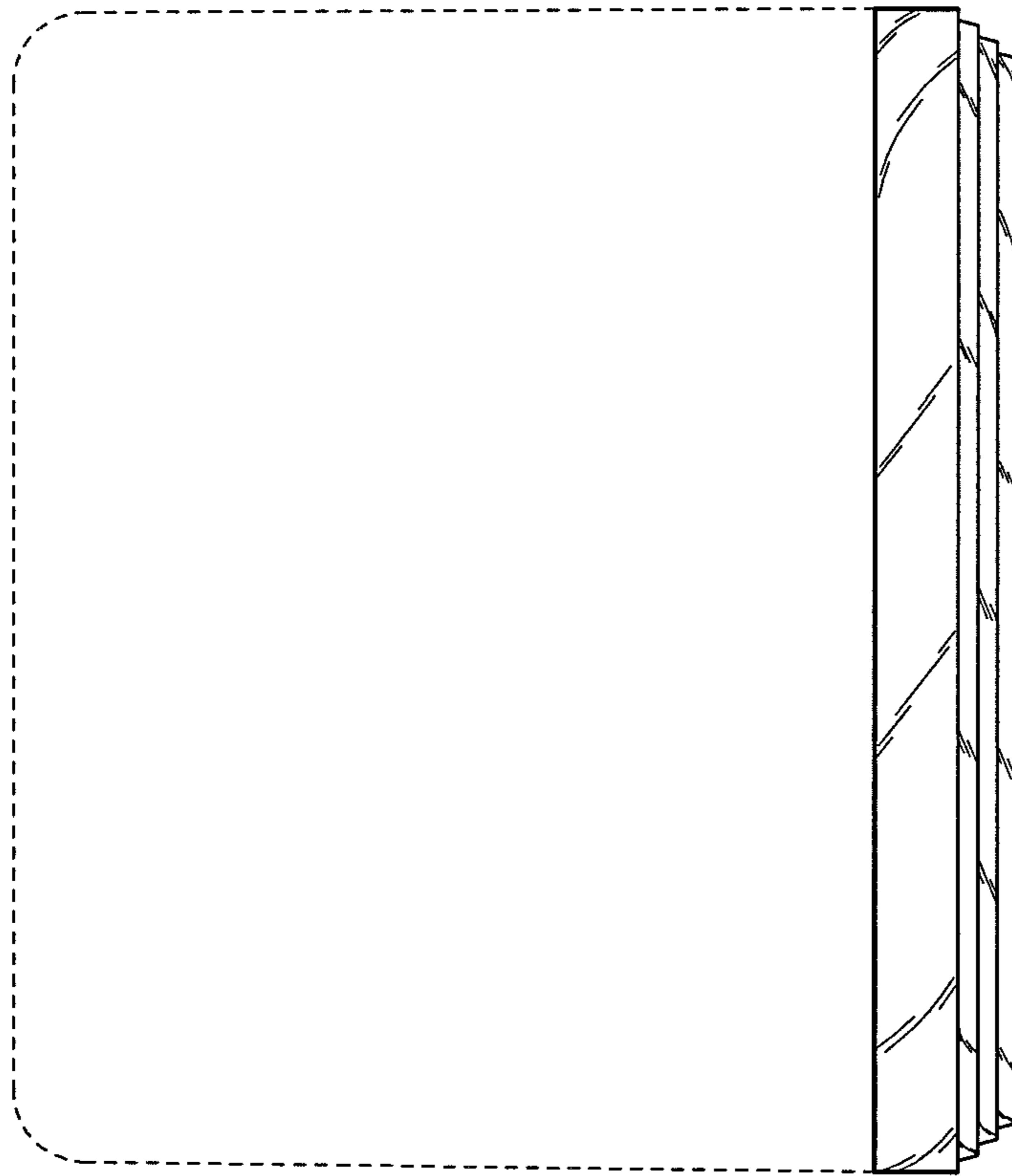


Fig. 6

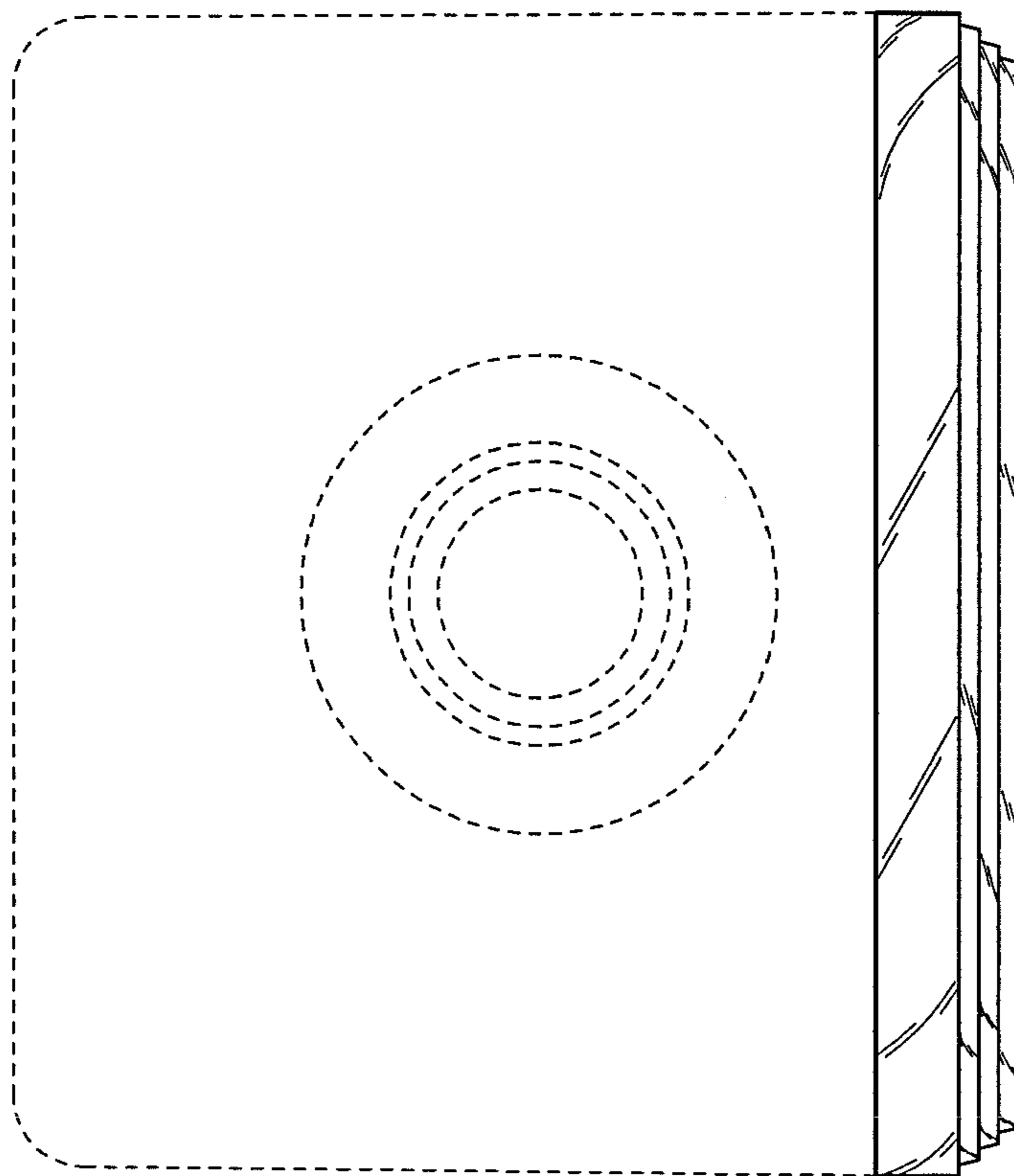


Fig. 5