

US00D675997S

(12) **United States Design Patent**  
**Kim et al.**

(10) **Patent No.:** **US D675,997 S**

(45) **Date of Patent:** **\*\* Feb. 12, 2013**

(54) **DIGITAL DIRECT CONTROLLER**

(75) Inventors: **Myungshik Kim**, Seoul (KR);  
**Sangmoon Jeong**, Gyeonggi-do (KR);  
**Eugene Suh**, Seoul (KR); **Inhyeuk Choi**, Seoul (KR)

(73) Assignee: **LG Electronics Inc.**, Seoul (KR)

(\*\*) Term: **14 Years**

(21) Appl. No.: **29/385,522**

(22) Filed: **Feb. 15, 2011**

(30) **Foreign Application Priority Data**

Aug. 16, 2010 (KR) ..... 30-2010-0035541

(51) **LOC (9) Cl.** ..... **13-03**

(52) **U.S. Cl.** ..... **D13/162.1**

(58) **Field of Classification Search** ..... D13/162,  
D13/162.1, 164; D23/354; 200/293, 296;  
340/500; 361/93.2, 601, 622, 627, 628, 679.01,  
361/728, 730; 700/12, 83

See application file for complete search history.

(56) **References Cited**

**U.S. PATENT DOCUMENTS**

4,331,998 A \* 5/1982 Matsko et al. .... 361/93.2  
D287,117 S \* 12/1986 Saiki et al. .... D13/162.1

D290,694 S \* 7/1987 Shimizu et al. .... D13/162.1  
D297,419 S \* 8/1988 Bonnema et al. .... D10/50  
5,303,113 A \* 4/1994 Goleman et al. .... 361/93.2  
D351,827 S \* 10/1994 Shimizu et al. .... D13/162.1  
6,594,529 B1 \* 7/2003 Boggs et al. .... 700/12  
D503,686 S \* 4/2005 Knox et al. .... D13/162  
D541,798 S \* 5/2007 Ichida et al. .... D14/371  
D610,096 S \* 2/2010 Gemme et al. .... D13/162  
D620,454 S \* 7/2010 Lissola et al. .... D13/164  
D642,134 S \* 7/2011 Walser ..... D13/164  
2012/0109343 A1 \* 5/2012 Shah ..... 700/83

\* cited by examiner

*Primary Examiner* — Selina Sikder

(74) *Attorney, Agent, or Firm* — Birch, Stewart, Kolasch & Birch, LLP

(57) **CLAIM**

The ornamental design for a digital direct controller, as shown and described.

**DESCRIPTION**

FIG. 1 is a top, front, perspective view of a digital direct controller showing our new design;  
FIG. 2 is a front view thereof;  
FIG. 3 is a rear view thereof;  
FIG. 4 is a left side view thereof;  
FIG. 5 is a right side view thereof;  
FIG. 6 is a top view thereof; and,  
FIG. 7 is a bottom view thereof.

**1 Claim, 7 Drawing Sheets**

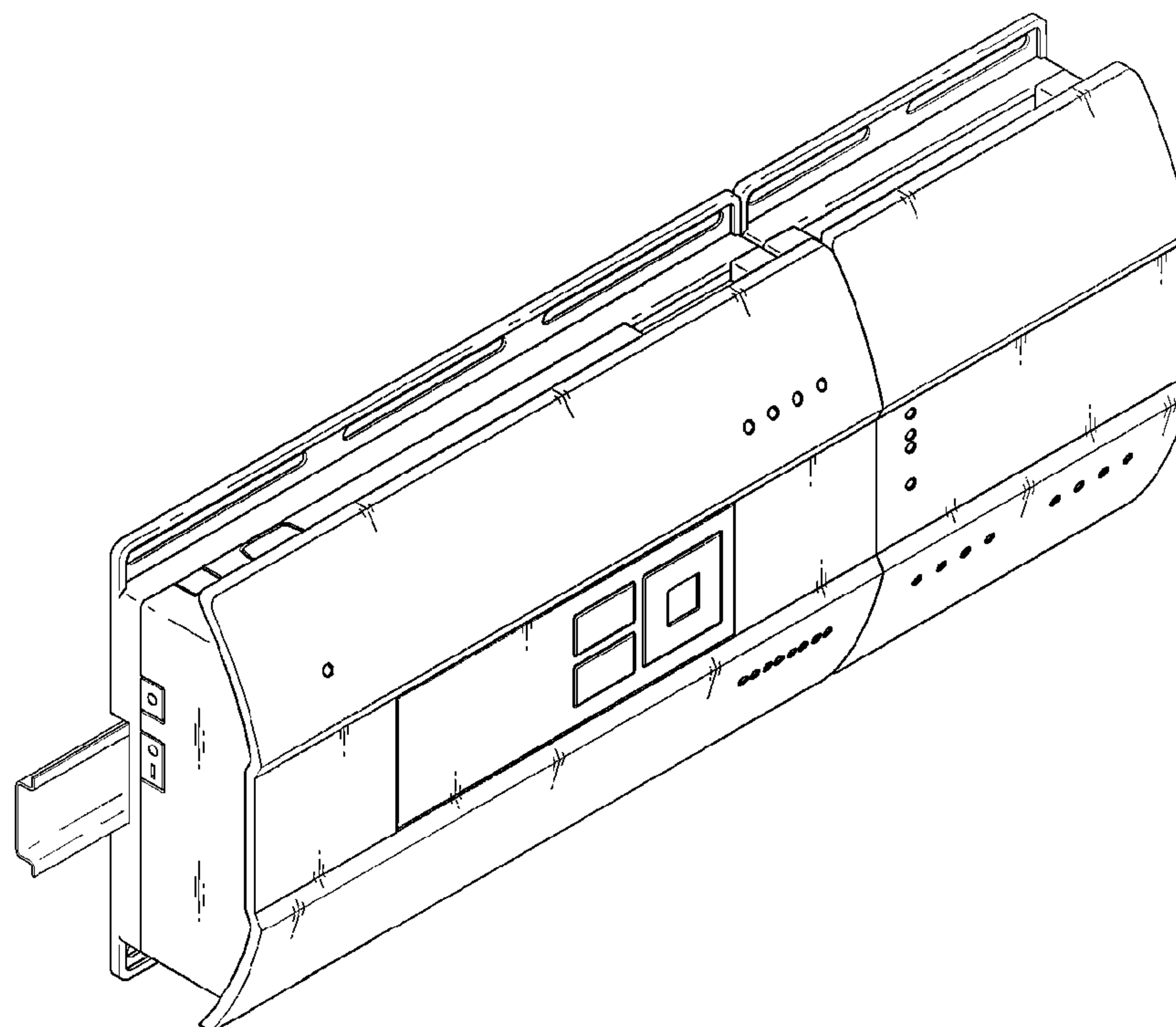


FIG. 1

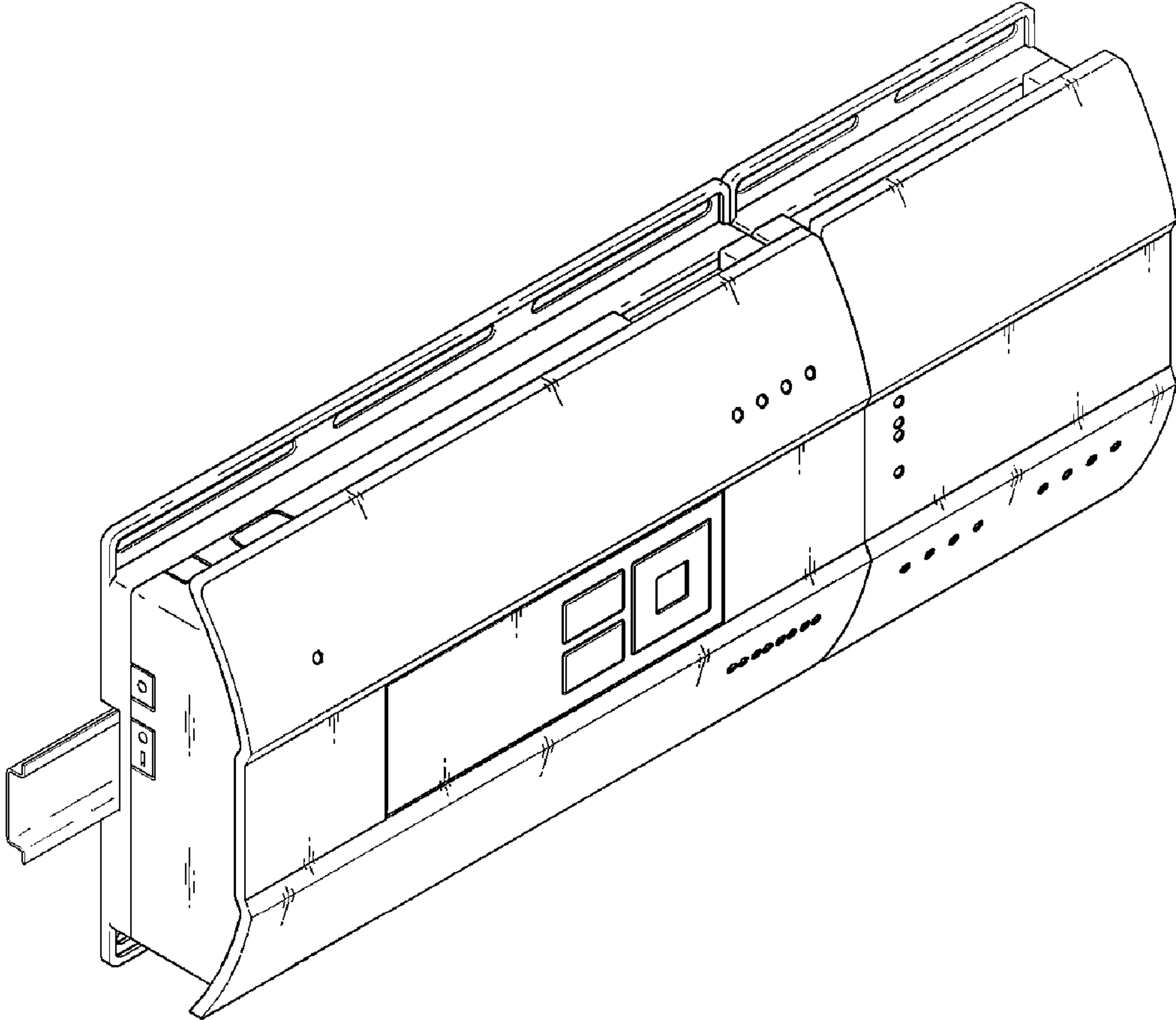


FIG. 2

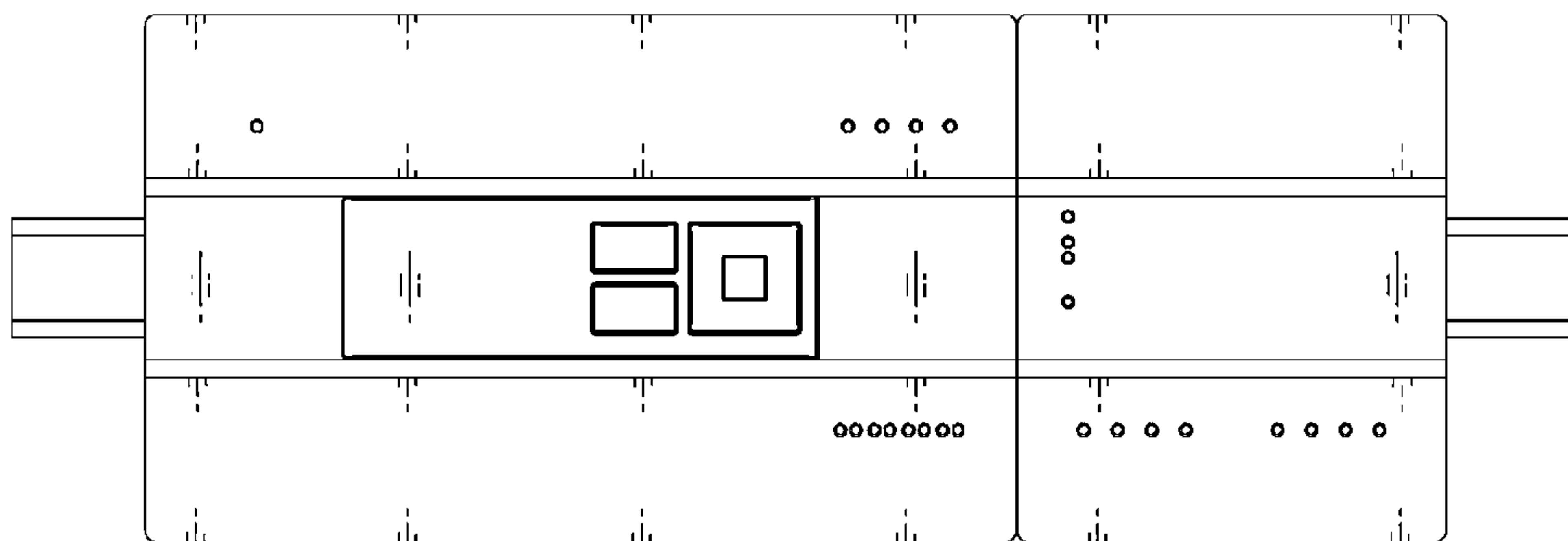


FIG. 3

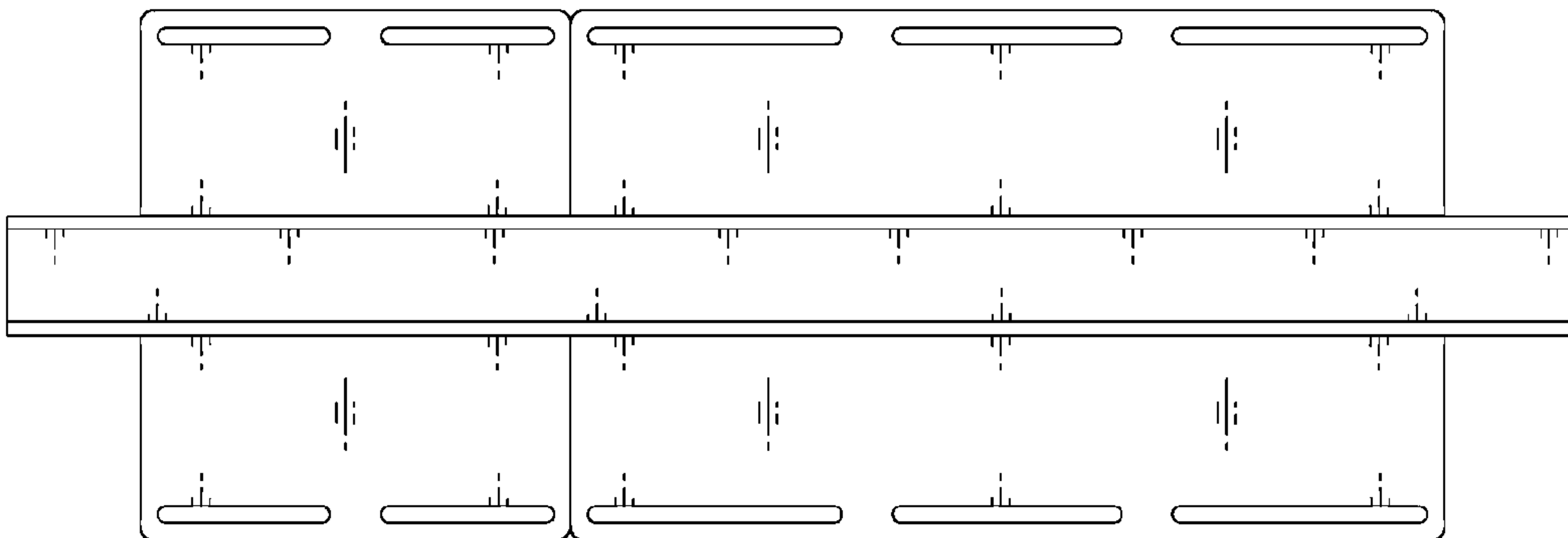


FIG. 4

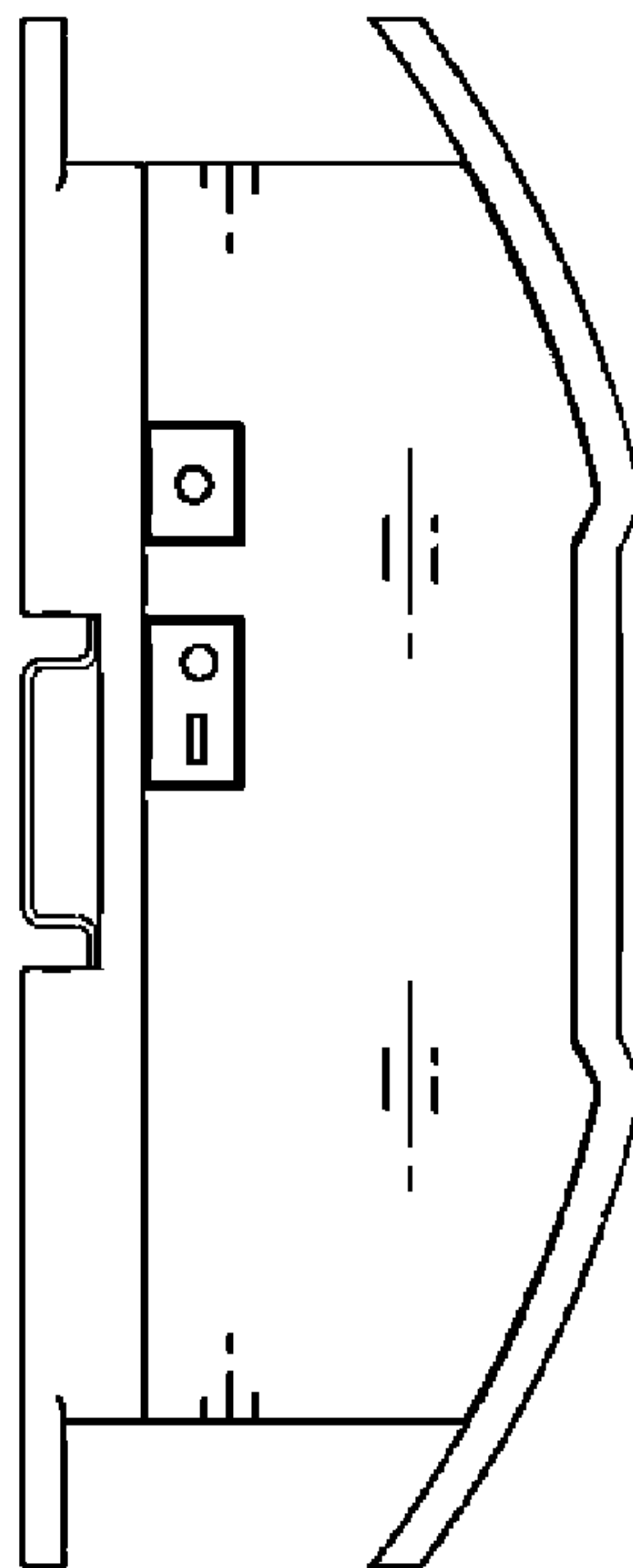


FIG. 5

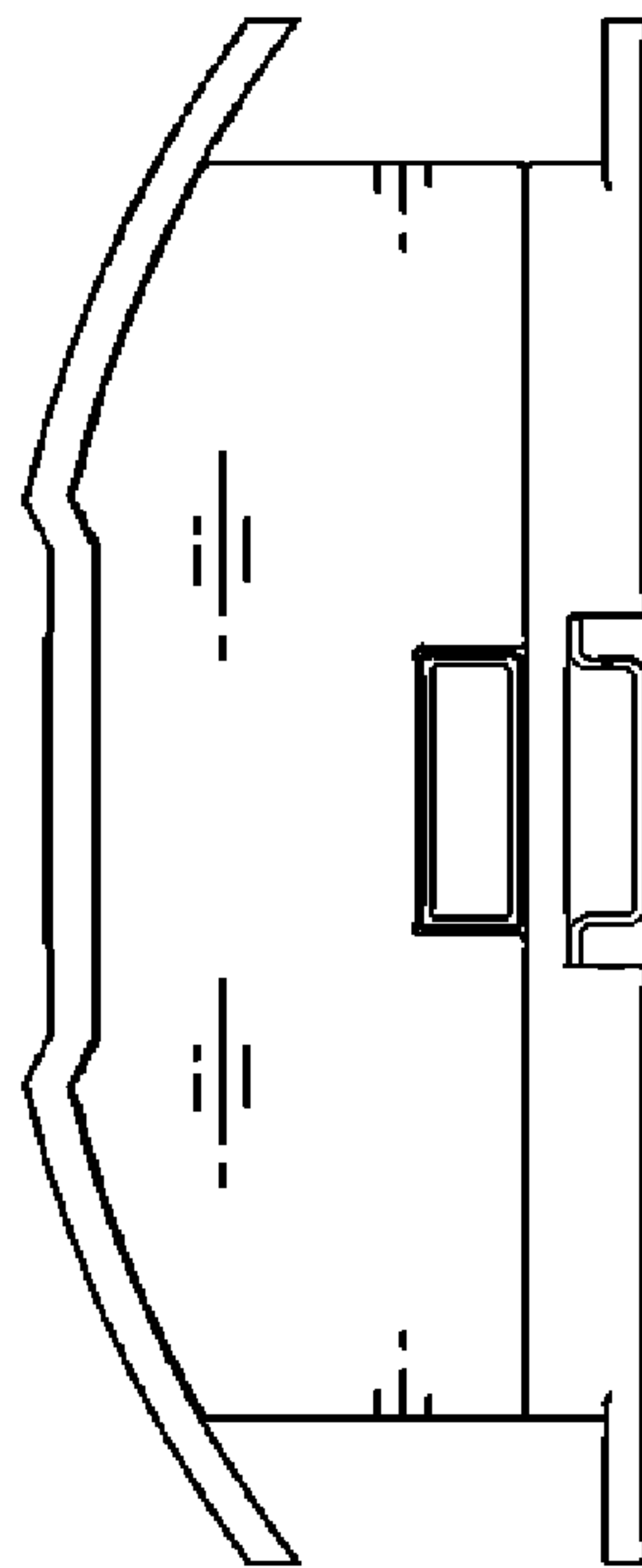


FIG. 6

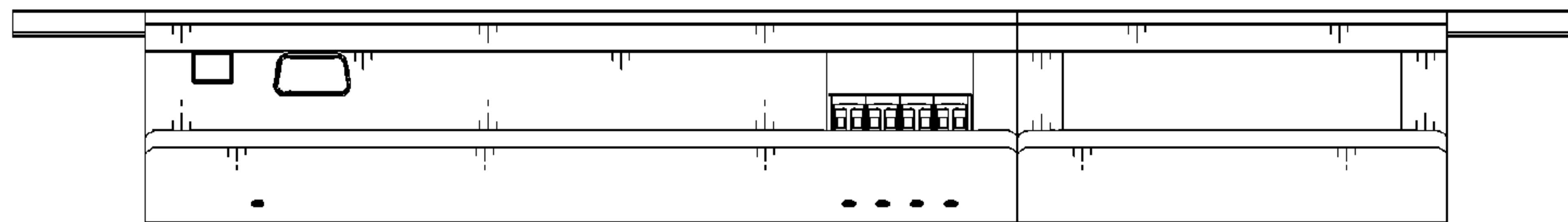


FIG. 7

