



US00D675996S

(12) **United States Design Patent**
Geron et al.

(10) **Patent No.:** **US D675,996 S**
(45) **Date of Patent:** **** Feb. 12, 2013**

(54) **FIBER BUNDLE**

(75) Inventors: **Amir Geron**, Modi'in (IL); **Gideon Katz**, Zoran (IL)

(73) Assignee: **Compass Electro-Optical Systems Ltd**,
Netanya, IL (US)

(**) Term: **14 Years**

(21) Appl. No.: **29/367,245**

(22) Filed: **Aug. 5, 2010**

(51) **LOC (9) Cl.** **13-03**

(52) **U.S. Cl.** **D13/153**

(58) **Field of Classification Search** D13/184,
D13/156, 155, 154, 153, 152, 147, 139.1-139.4,
D13/137.1-137.4, 133; 600/166; 439/675,
439/668, 623, 578, 502, 106; 385/77; 174/151,
174/138 F, 113 R

See application file for complete search history.

(56) **References Cited**

U.S. PATENT DOCUMENTS

D449,275	S *	10/2001	Goto	D13/147
D519,085	S *	4/2006	Gull et al.	D13/155
7,521,634	B2 *	4/2009	Clem et al.	174/113 R
2012/0106898	A1 *	5/2012	Geron et al.	385/77

* cited by examiner

Primary Examiner — Susan Bennett Hattan

(74) *Attorney, Agent, or Firm* — Wilmer Cutler Pickering
Hale and Dorr LLP

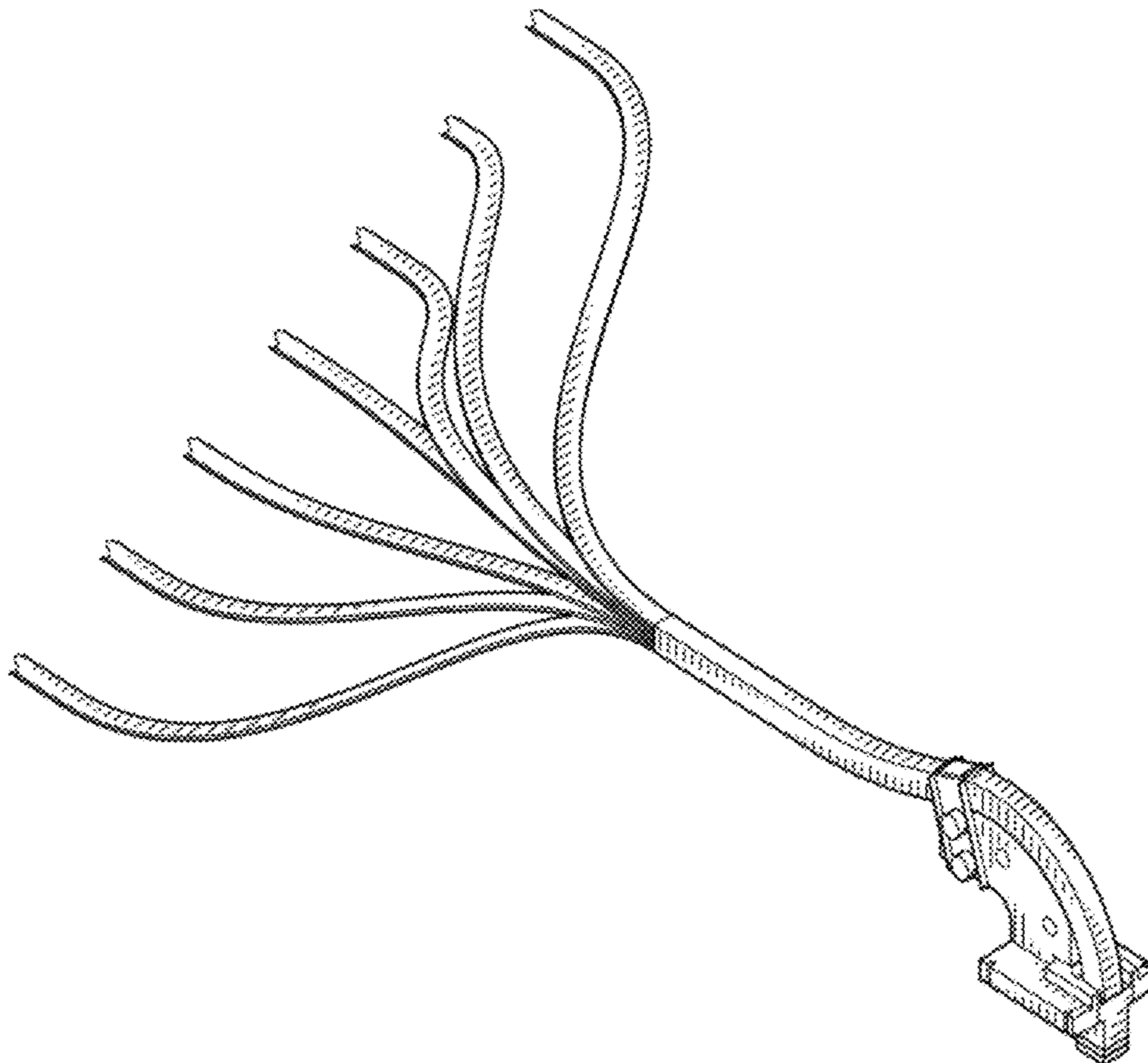
(57) **CLAIM**

The ornamental design for a fiber bundle, as shown and described.

DESCRIPTION

FIG. 1 is a front perspective view of the claimed fiber bundle showing our new design;
FIG. 2 is a rear perspective view thereof;
FIG. 3 is a top view thereof;
FIG. 4 is a plan view of one side thereof;
FIG. 5 is a bottom view thereof;
FIG. 6 is a plan view of the second side thereof;
FIG. 7 is a rear view thereof; and,
FIG. 8 is a front view thereof.

1 Claim, 7 Drawing Sheets



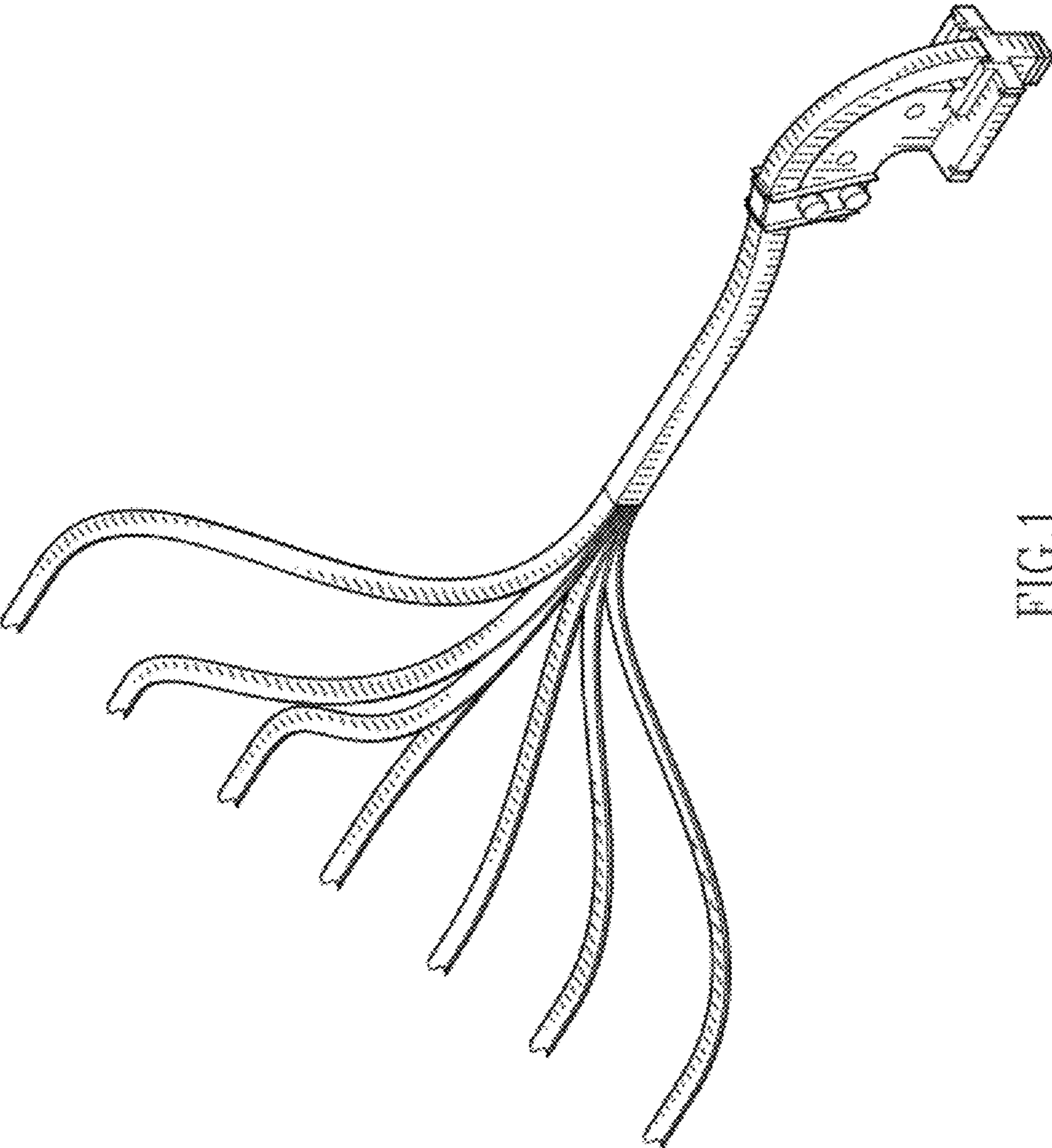


FIG.1

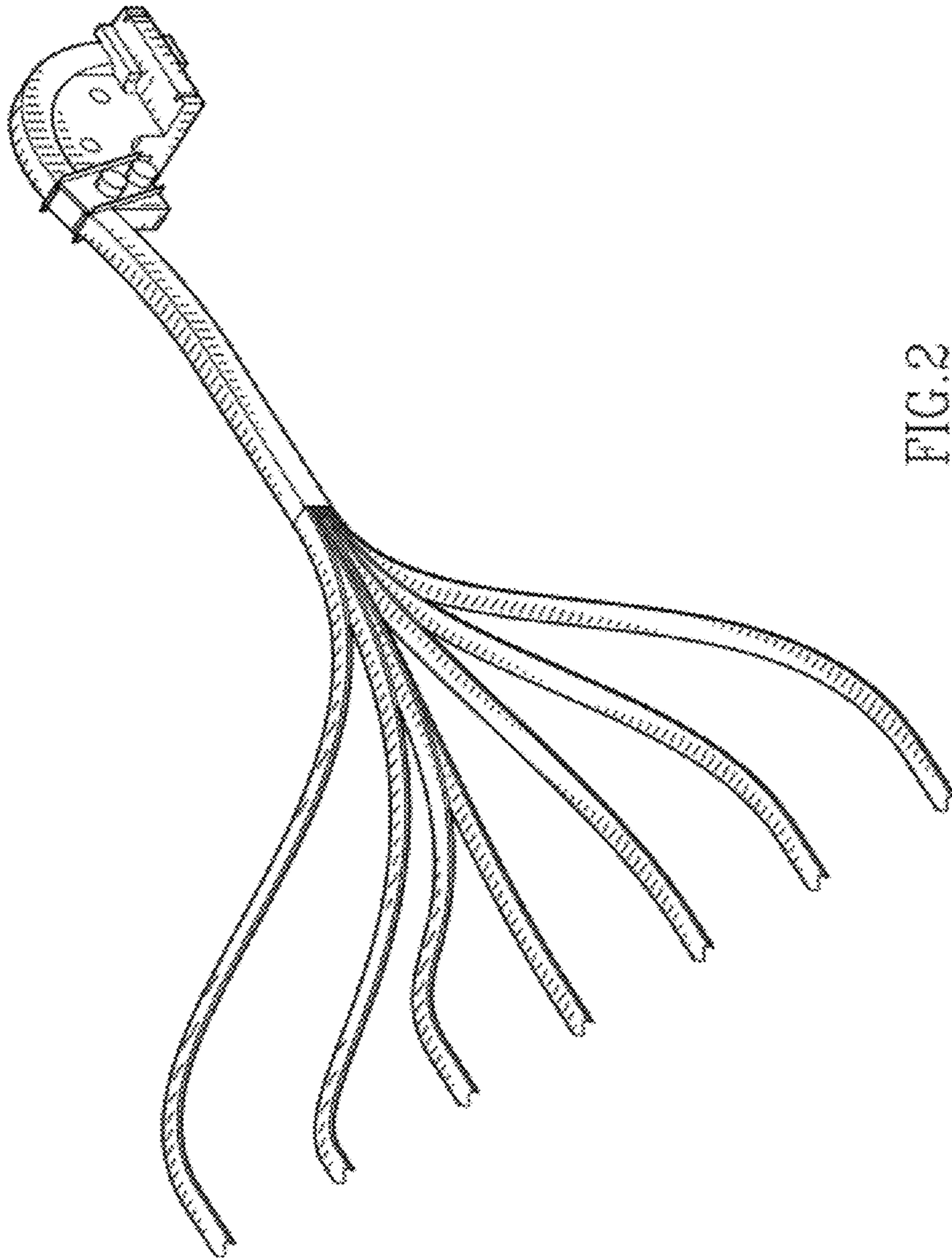


FIG. 2

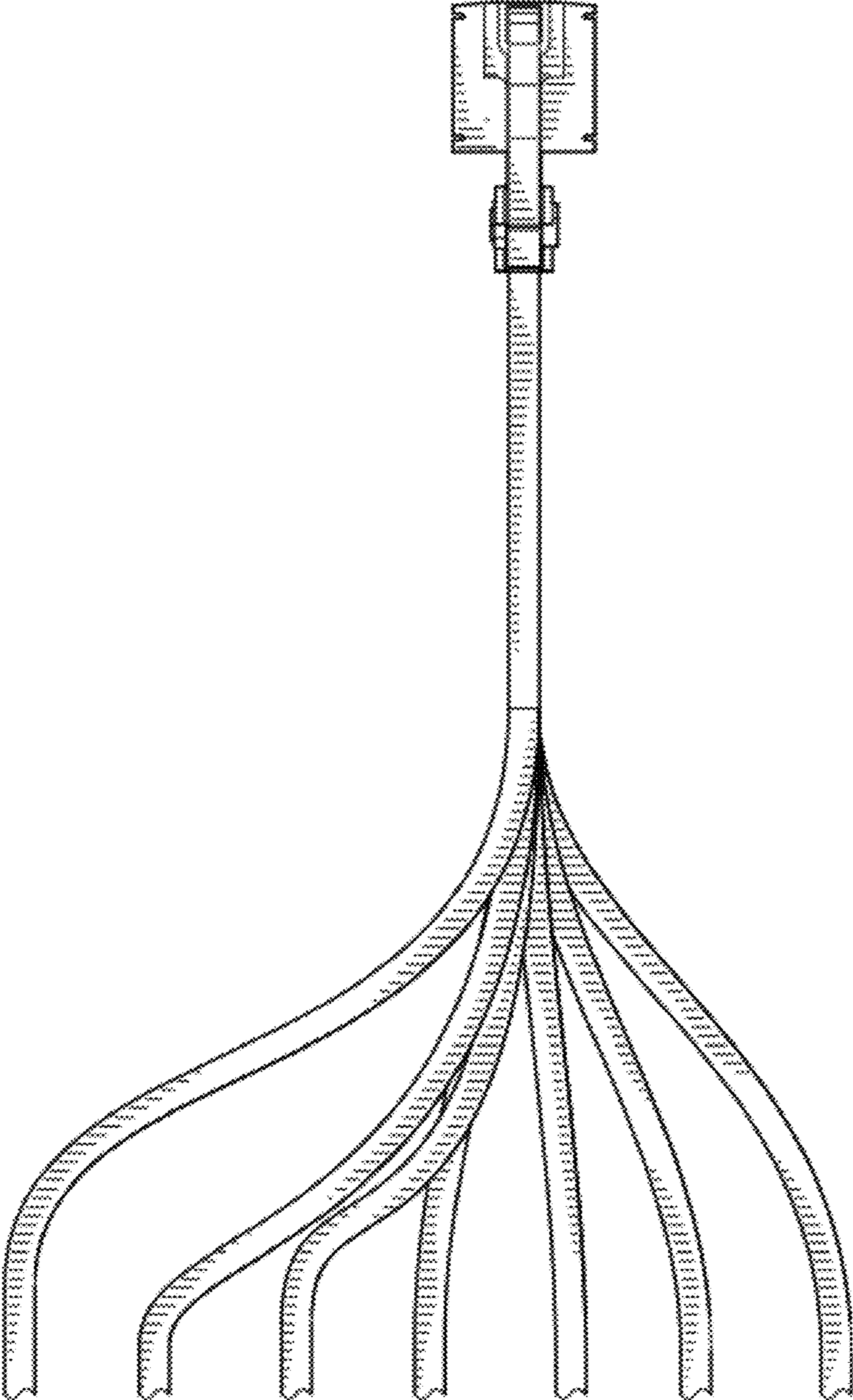


FIG. 3

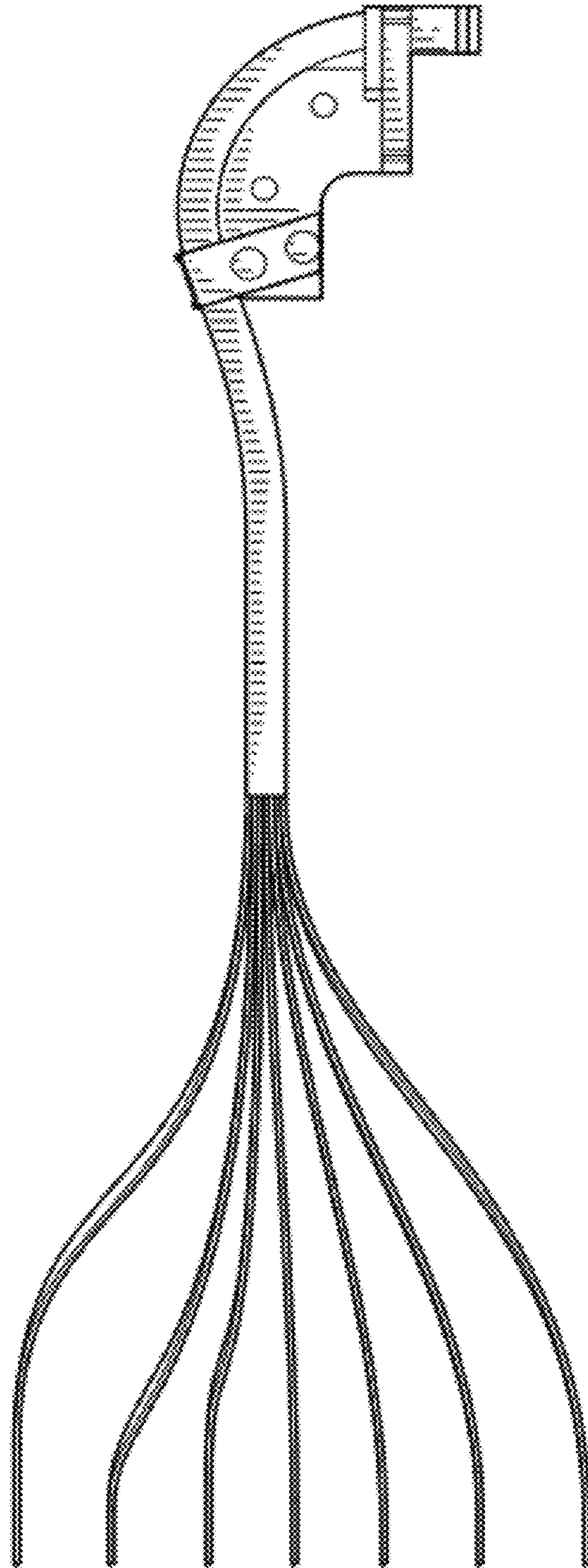


FIG. 4

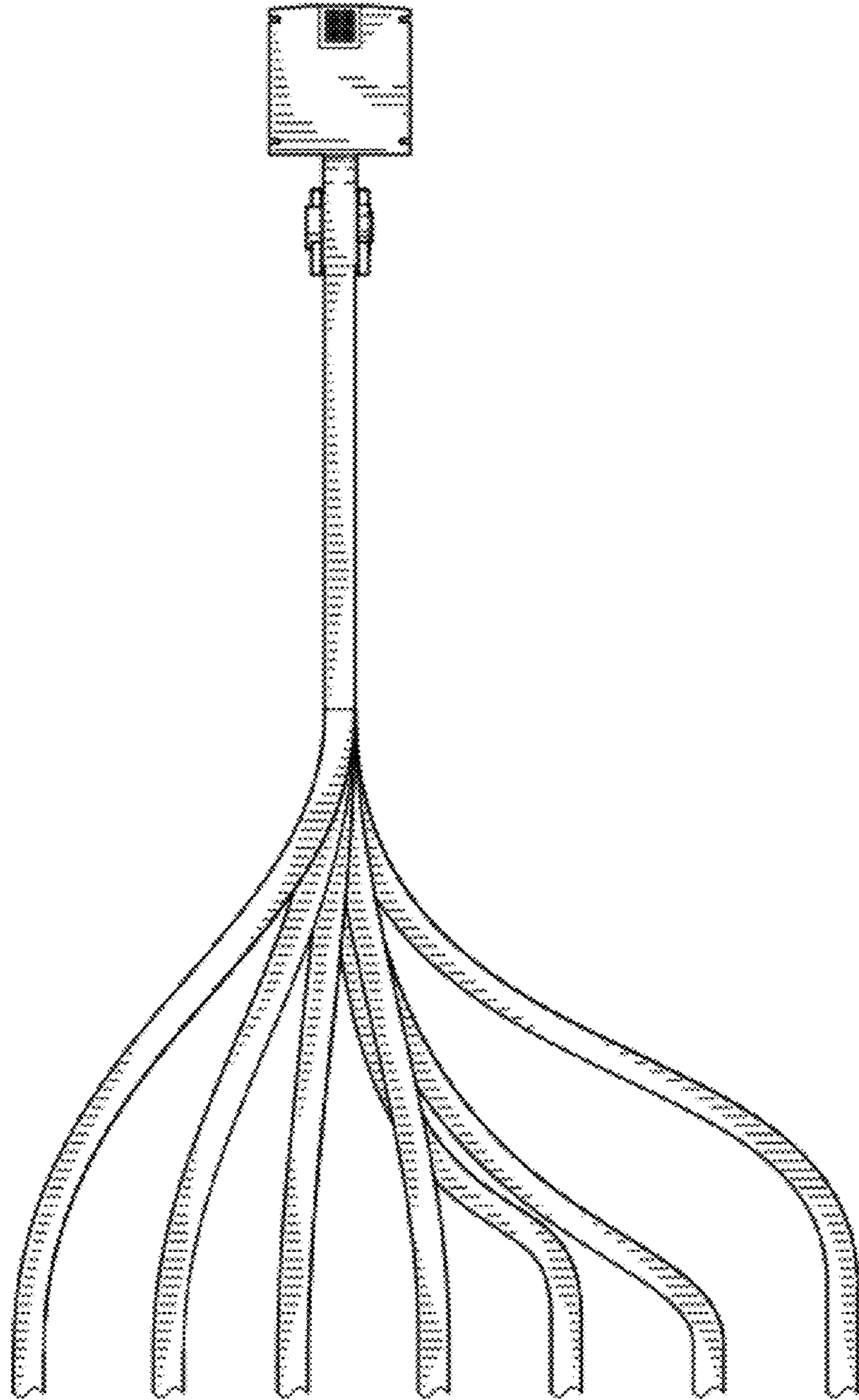


FIG. 5

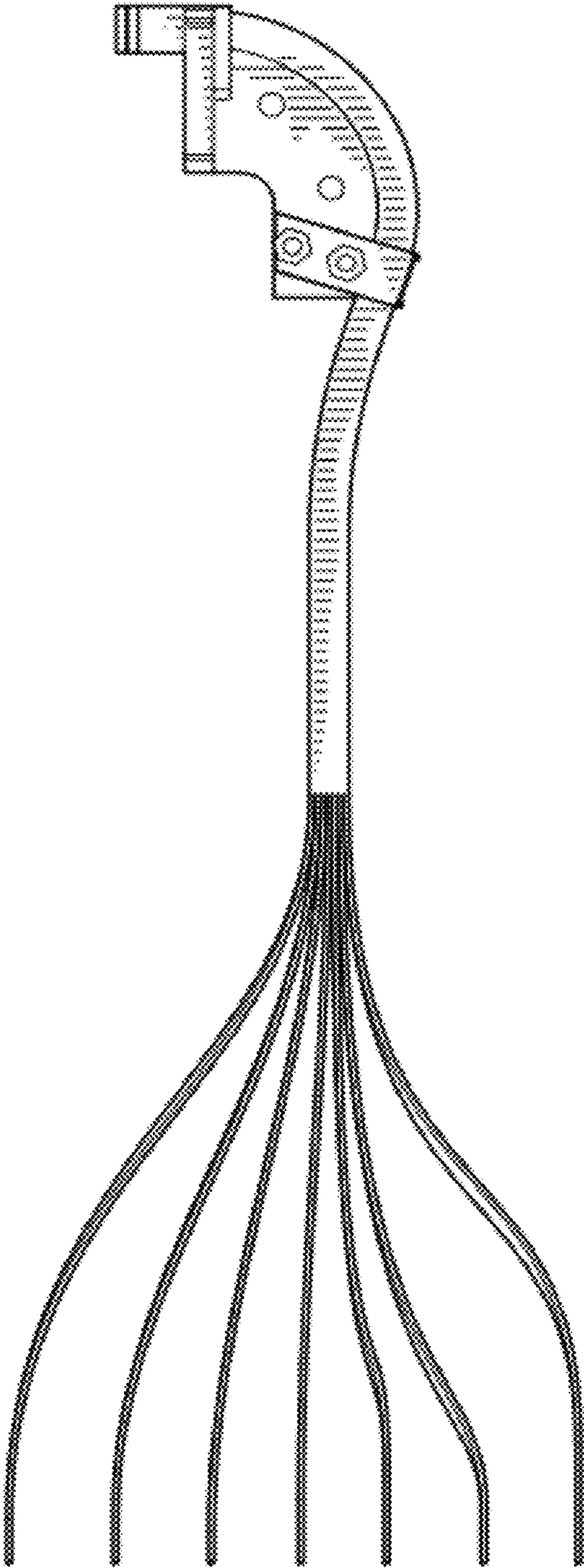


FIG. 6

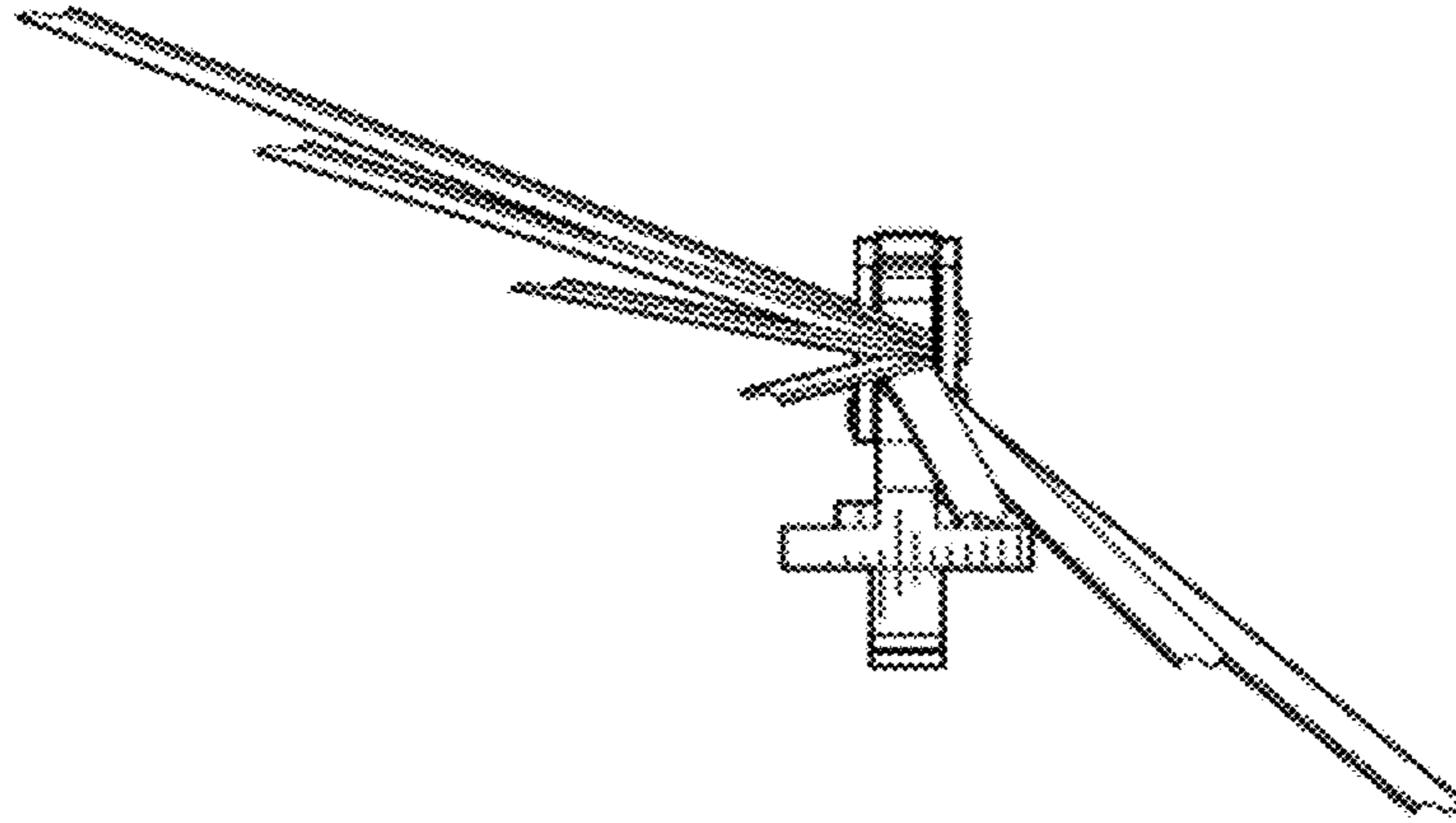


FIG. 7

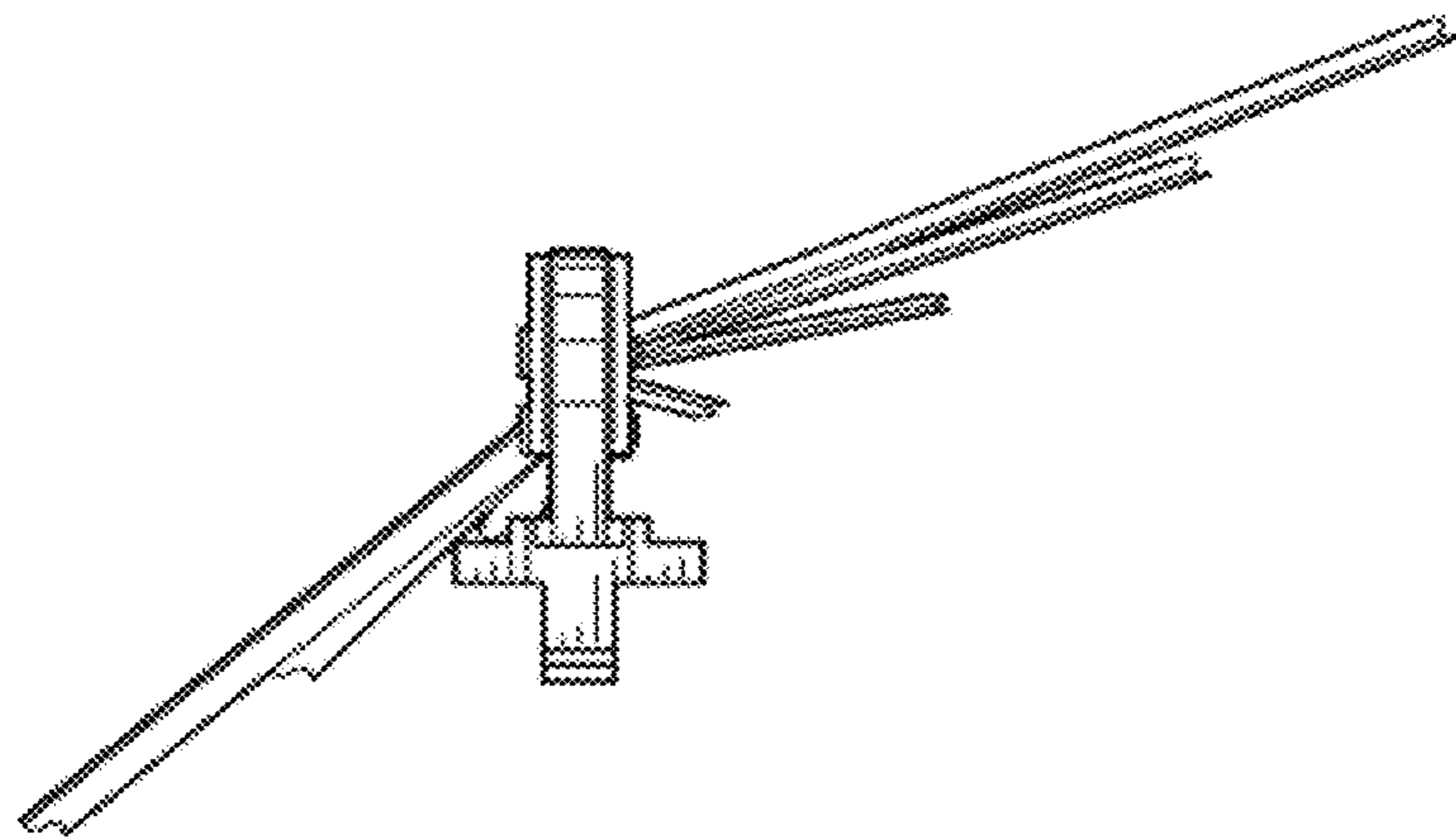


FIG. 8