



US00D675995S

(12) **United States Design Patent**  
**Sykes et al.**

(10) **Patent No.:** **US D675,995 S**

(45) **Date of Patent:** **\*\* Feb. 12, 2013**

(54) **COAXIAL CONNECTOR**

(75) Inventors: **Michael Timothy Sykes**,  
Mechanicsburg, PA (US); **Mattia Scheggia**,  
Como (IT); **Keith Richard Foltz**,  
Duncannon, PA (US); **Michael J. Block**,  
Carlisle, PA (US); **Kevin E. Weidner**,  
Hummelstown, PA (US); **Jeffrey K. Orner**,  
Boiling Springs, PA (US); **Tim R. Chevalier**,  
Cleona, PA (US)

(73) Assignees: **Tyco Electronics Corporation**,  
Berwyn, PA (US); **Tyco Electronics Logistics AG**,  
Steinach (CH)

(\*\*) Term: **14 Years**

(21) Appl. No.: **29/405,151**

(22) Filed: **Oct. 28, 2011**

(51) **LOC (9) Cl.** ..... **13-03**

(52) **U.S. Cl.** ..... **D13/151**

(58) **Field of Classification Search** ..... D13/151,  
D13/133, 148, 149, 150, 153, 154, 156, 184,  
D13/199; 439/207, 217, 221, 224, 248, 258,  
439/578, 579, 583, 584, 585, 660, 675, 676  
See application file for complete search history.

(56) **References Cited**

U.S. PATENT DOCUMENTS

4,593,964	A *	6/1986	Forney et al.	.....	439/580
D440,939	S *	4/2001	Montena	.....	D13/133
D512,024	S *	11/2005	Murphy et al.	.....	D13/151
D514,071	S *	1/2006	Vahey	.....	D13/154
7,144,273	B1 *	12/2006	Chawgo	.....	439/583
D572,663	S *	7/2008	Chawgo et al.	.....	D13/154
D599,739	S *	9/2009	Holliday	.....	D13/133
2004/0229504	A1 *	11/2004	Liu	.....	439/578

\* cited by examiner

*Primary Examiner* — Derrick Holland

(57) **CLAIM**

The ornamental design of a coaxial connector, as shown and described.

**DESCRIPTION**

This application claims the benefit of U.S. patent application Ser. No. 13/284,553 titled Coaxial Connector filed on the same day, claims the benefit of U.S. patent application Ser. No. 13/284,577 titled Coaxial Connector filed on the same day, and claims the benefit of U.S. Design patent application Ser. No. 29/405,154 titled Coaxial Connector filed on the same day, the subject matter of each of which are herein incorporated by reference in their entirety.

FIG. 1 is a front perspective view of a coaxial connector showing our new design.

FIG. 2 is a side view of the coaxial connector shown in FIG. 1.

FIG. 3 is a back view of the coaxial connector shown in FIG. 1.

FIG. 4 is a front view of the coaxial connector shown in FIG. 1.

FIG. 5 is a front perspective view of the front piece of the coaxial connector shown in FIG. 1 in a separated condition.

FIG. 6 is a side view of the front piece shown in FIG. 5 of the coaxial connector shown in FIG. 1.

FIG. 7 is a top view of the front piece shown in FIG. 5 of the coaxial connector shown in FIG. 1.

FIG. 8 is a front view of the front piece shown in FIG. 5 of the coaxial connector shown in FIG. 1.

FIG. 9 is a back view of the front piece shown in FIG. 5 of the coaxial connector shown in FIG. 1.

FIG. 10 is a rear perspective view of the rear piece of the coaxial connector shown in FIG. 1 in a separated condition.

FIG. 11 is a side view of the rear piece shown in FIG. 10 of the coaxial connector shown in FIG. 1.

FIG. 12 is a front view of the rear piece shown in FIG. 10 of the coaxial connector shown in FIG. 1.

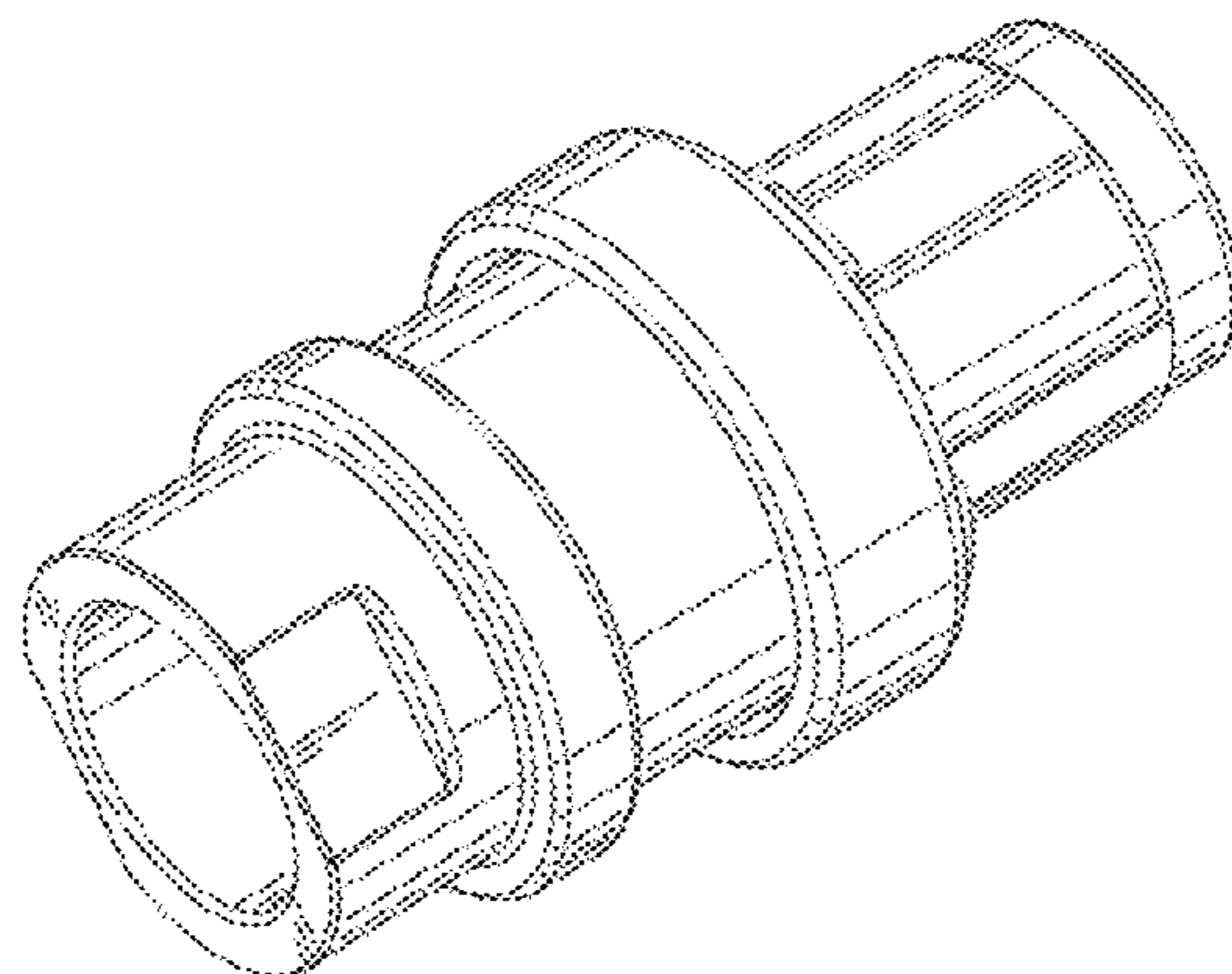
FIG. 13 is a back view of the rear piece shown in FIG. 10 of the coaxial connector shown in FIG. 1.

FIG. 14 is an exploded view of the coaxial connector of FIG. 1 shown in environmental use; and,

FIG. 15 is a front perspective view of the coaxial connector of FIG. 14 shown in an assembled state in environmental use.

The broken lines shown represent unclaimed subject matter and form no part of the claimed design.

**1 Claim, 8 Drawing Sheets**



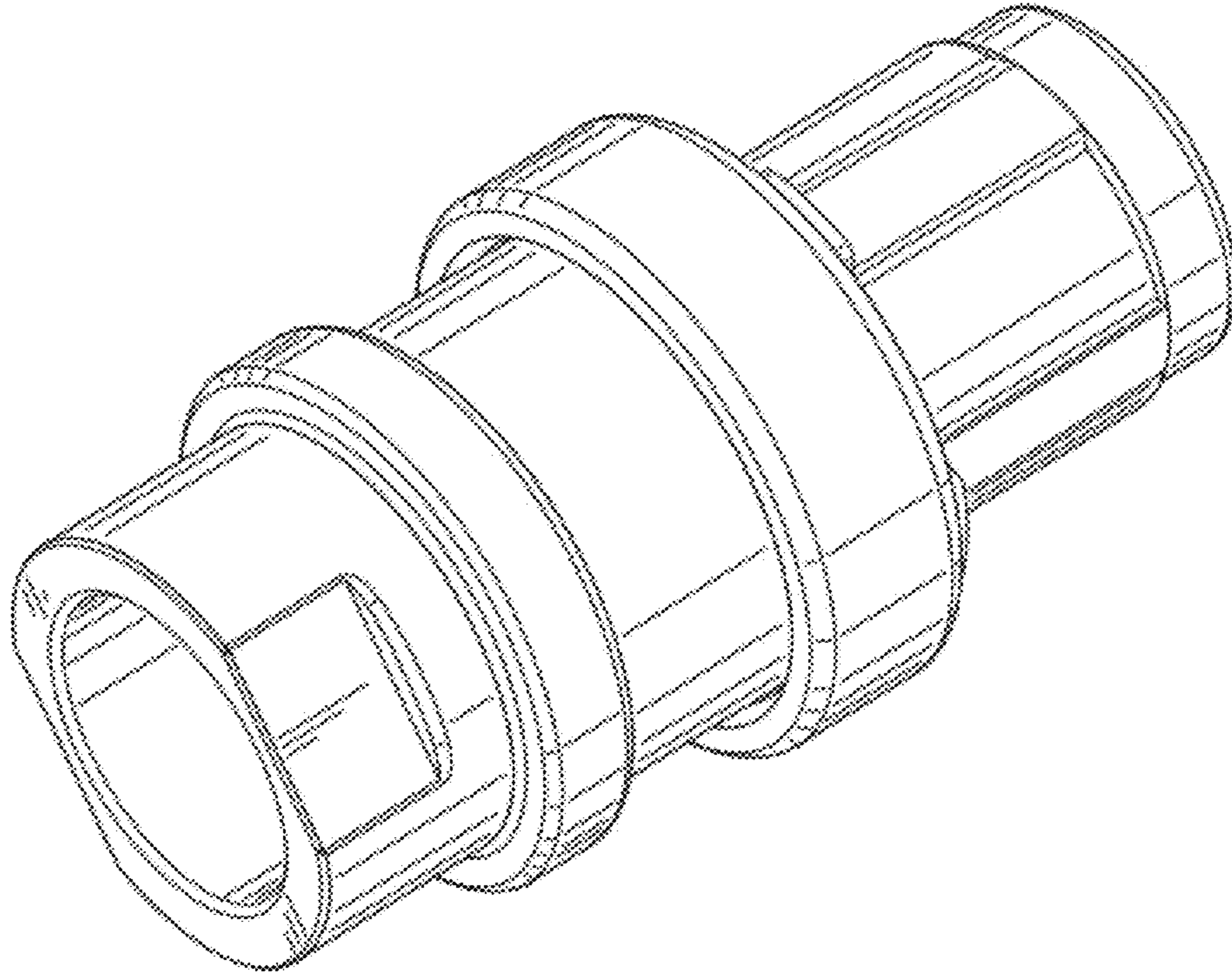


FIG. 1

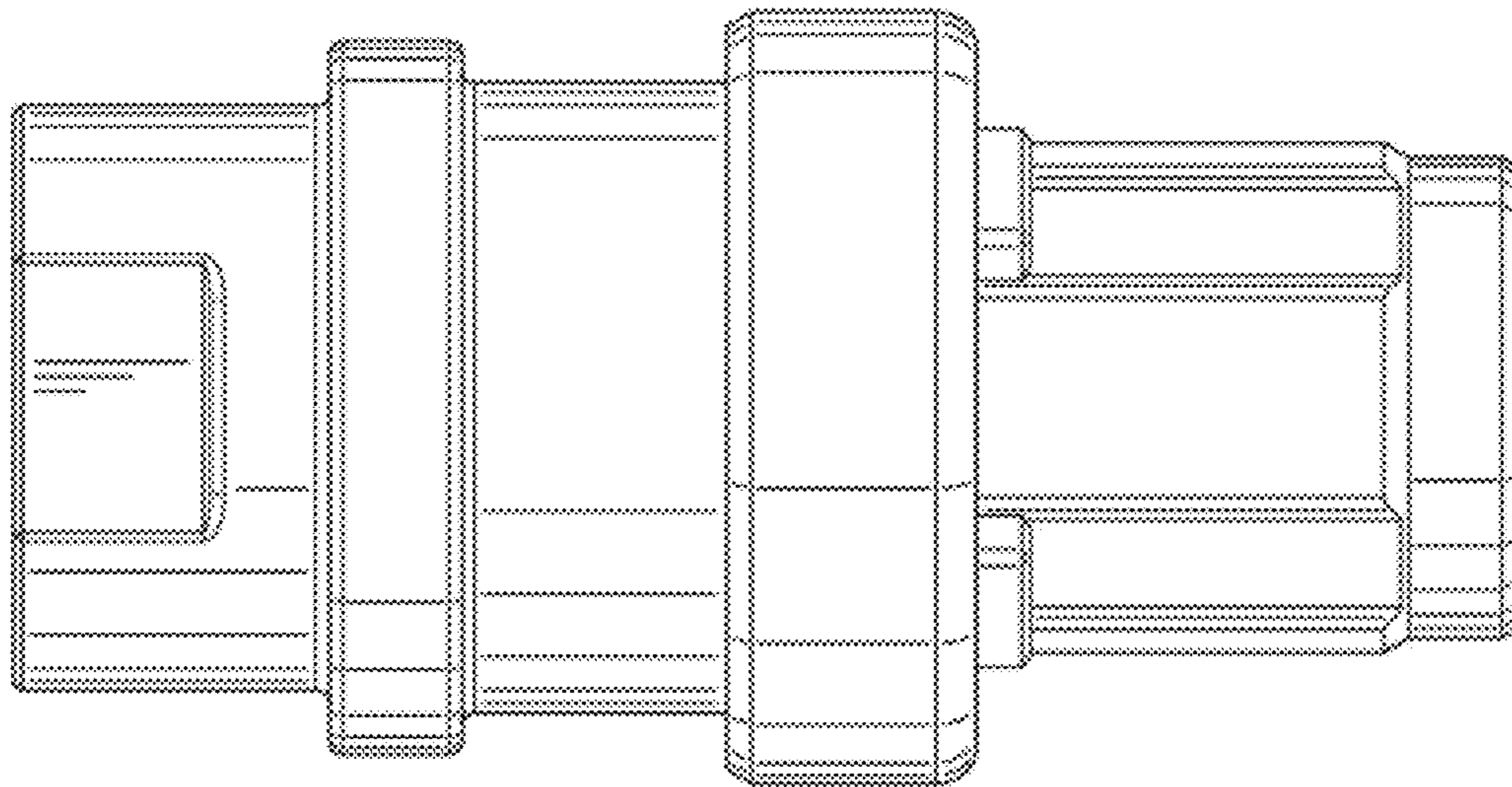


FIG. 2

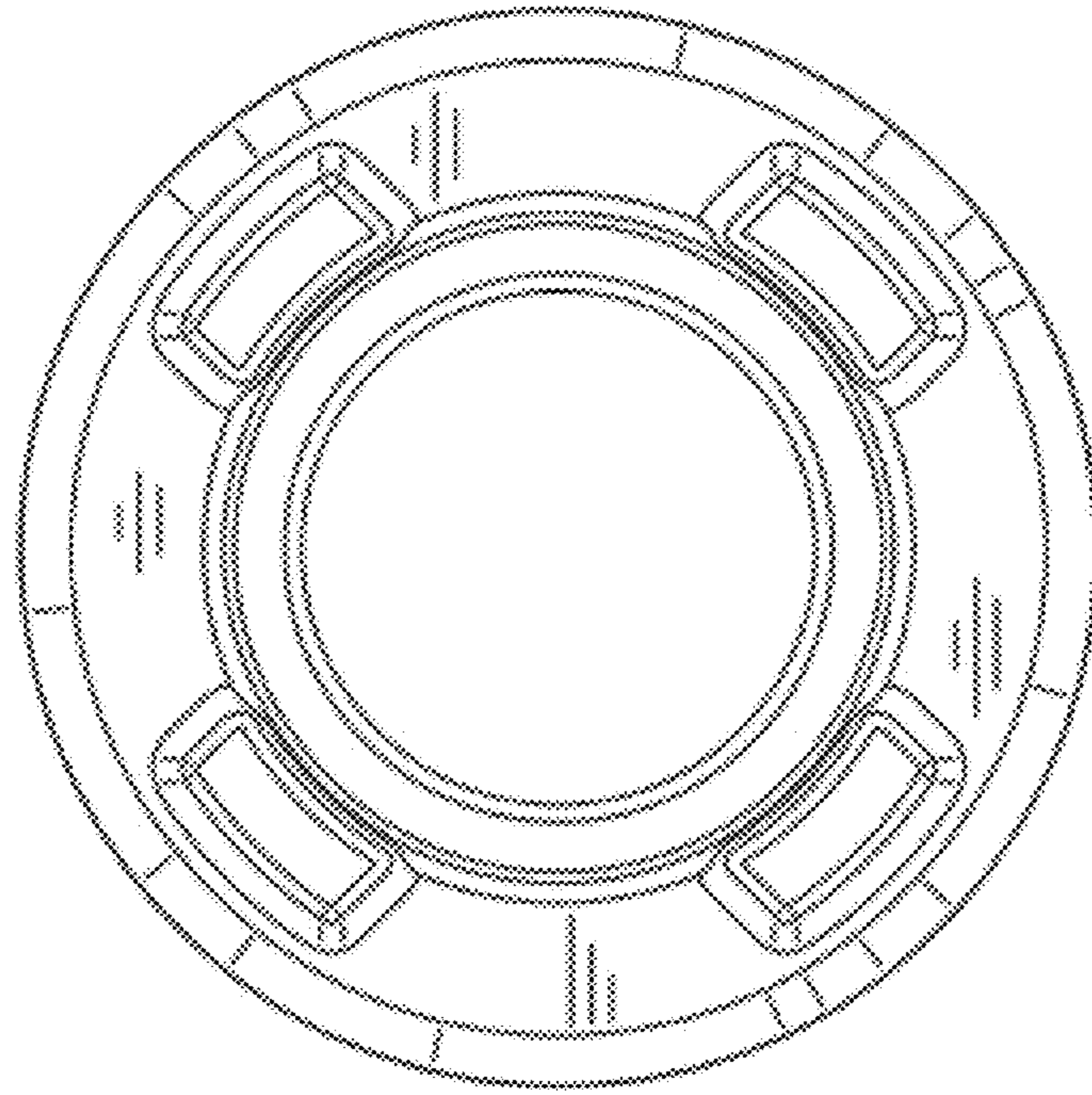


FIG. 3

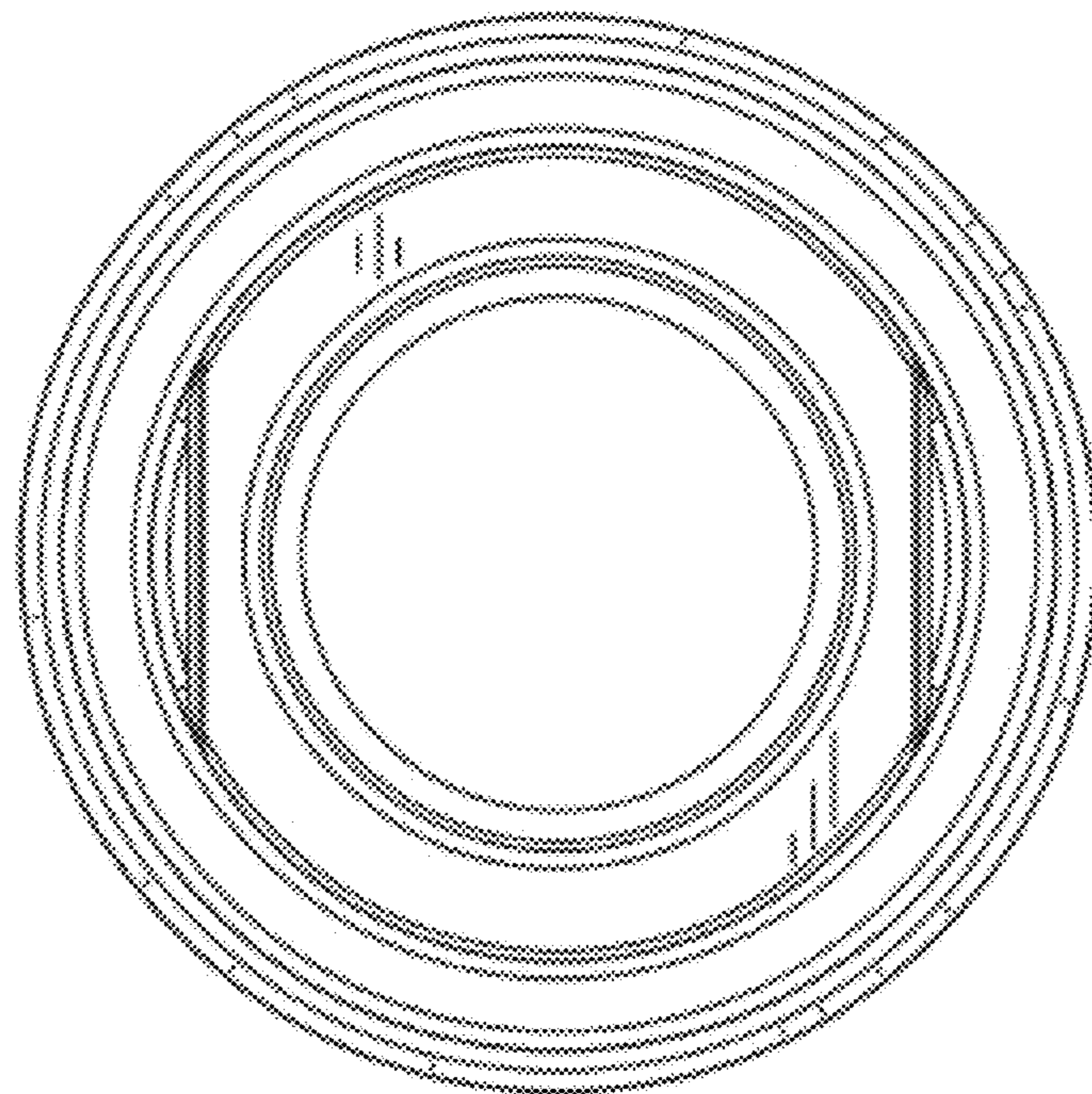


FIG. 4

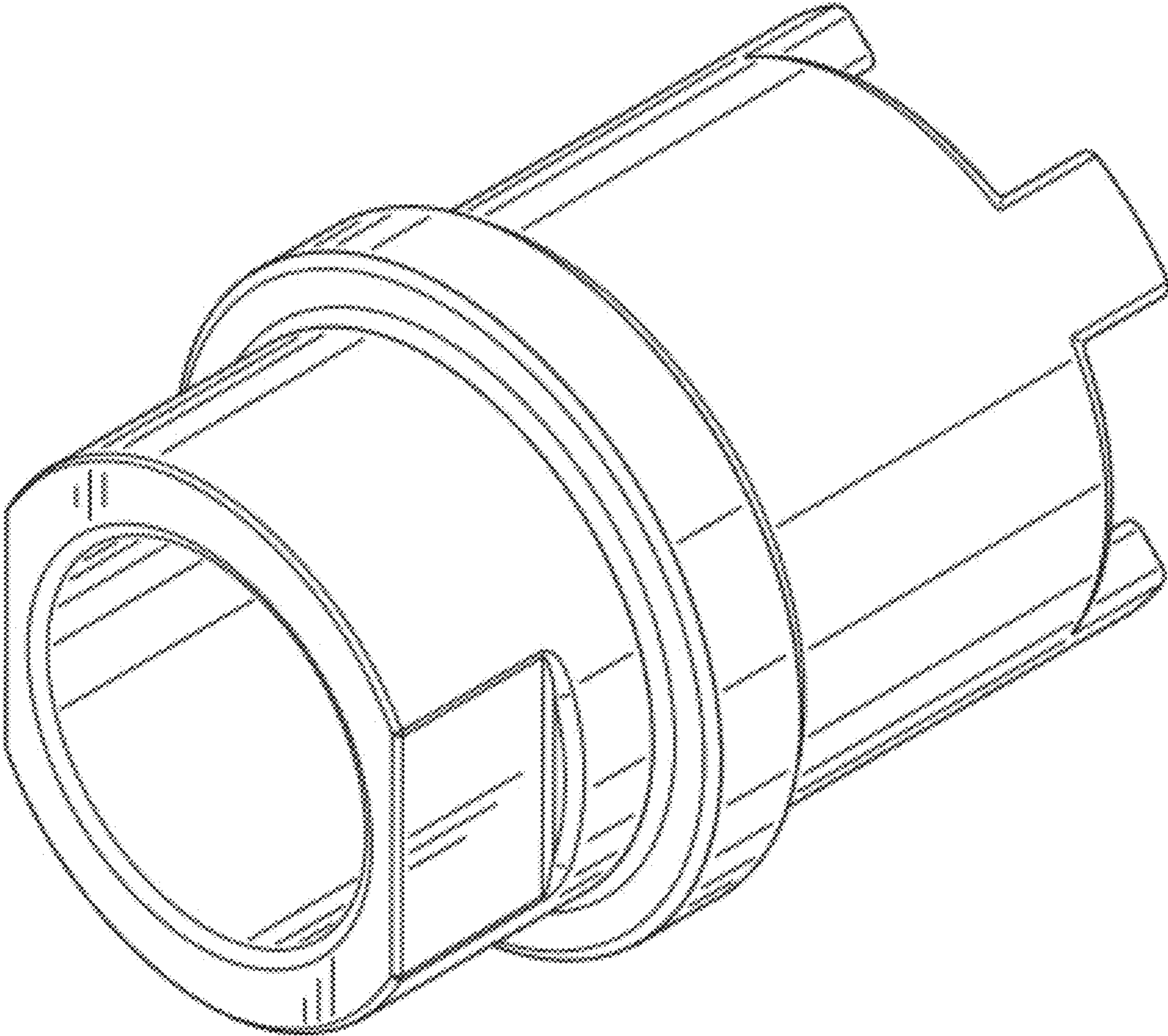


FIG. 5

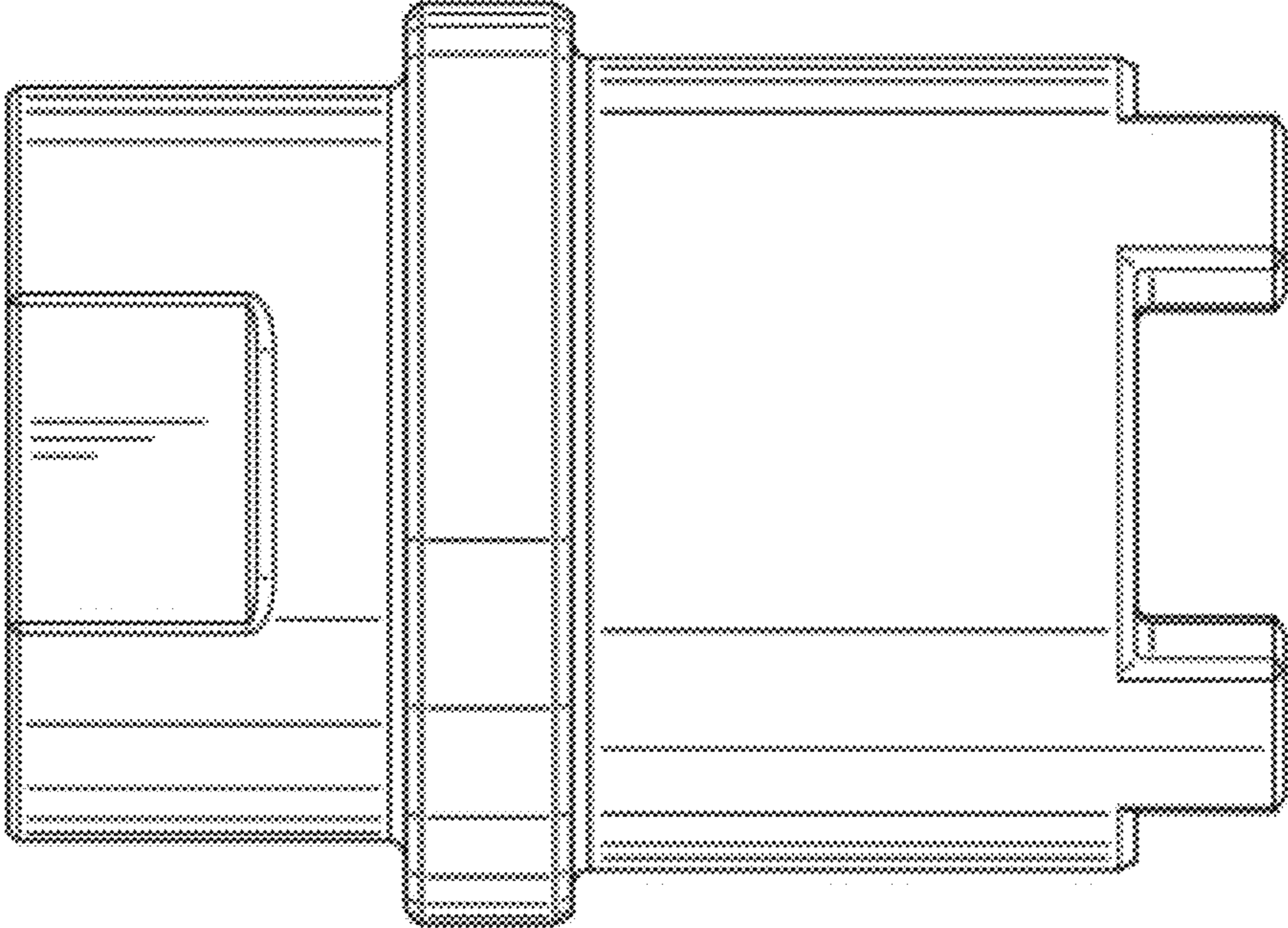


FIG. 6

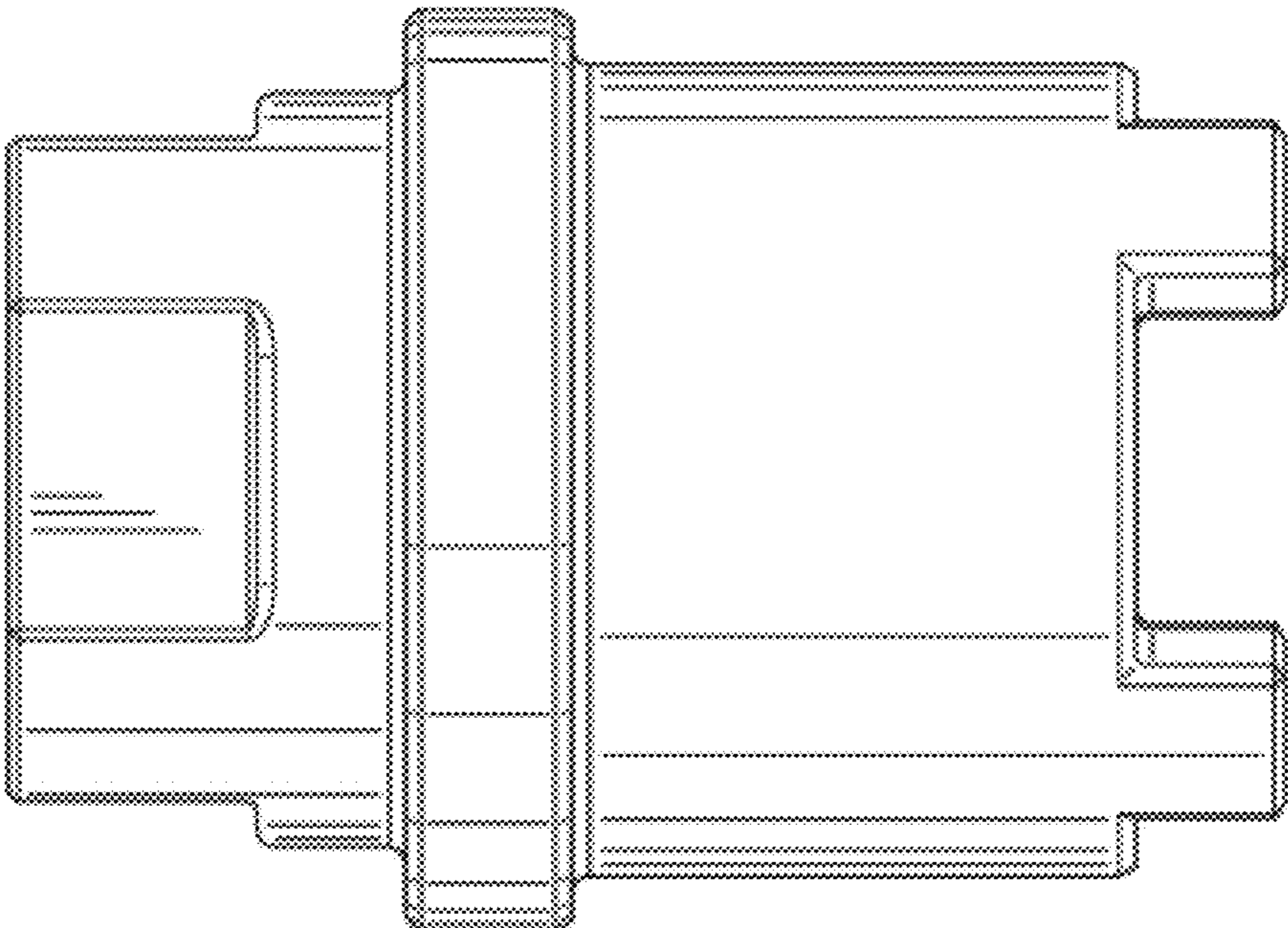


FIG. 7

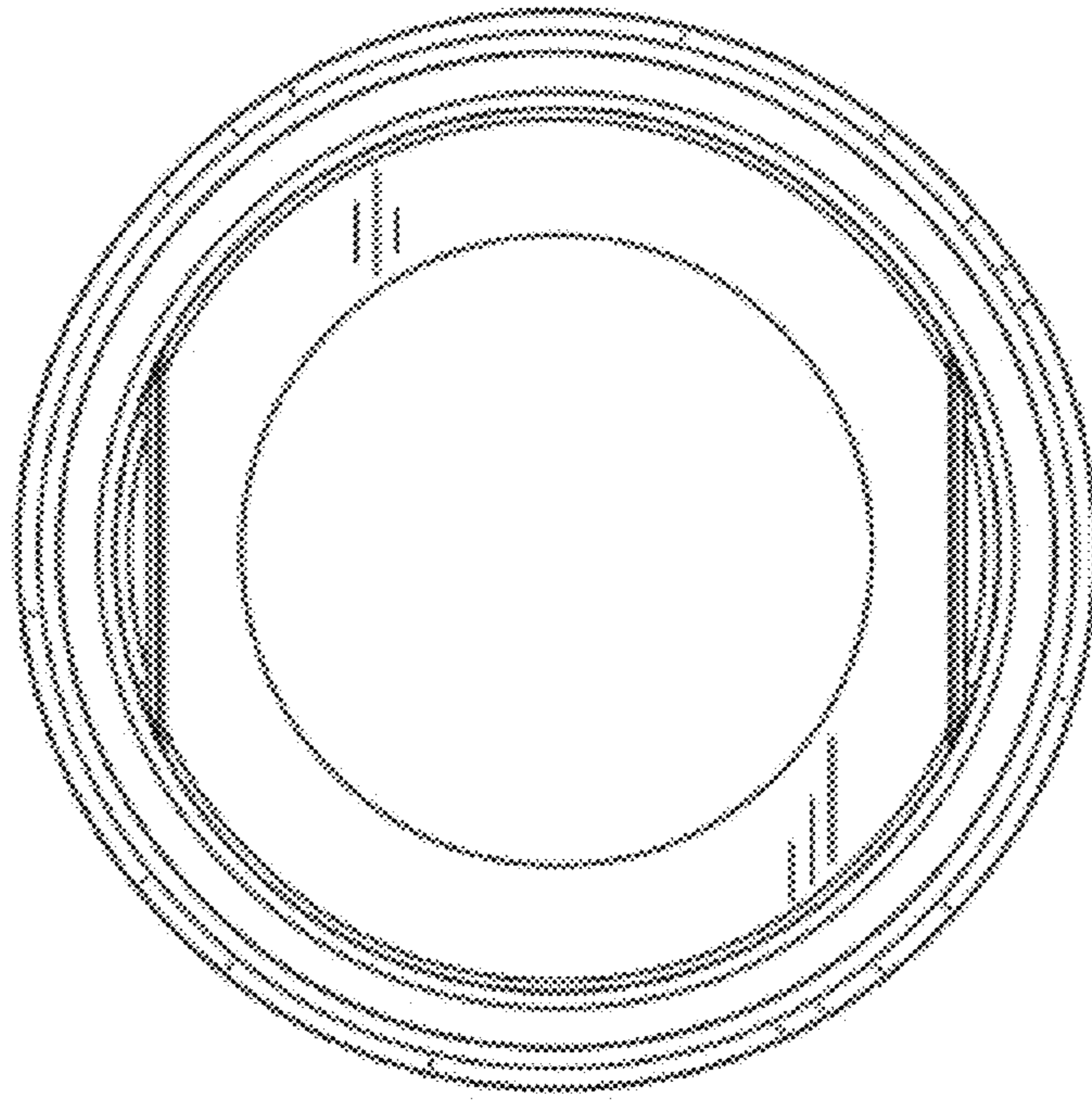


FIG. 8

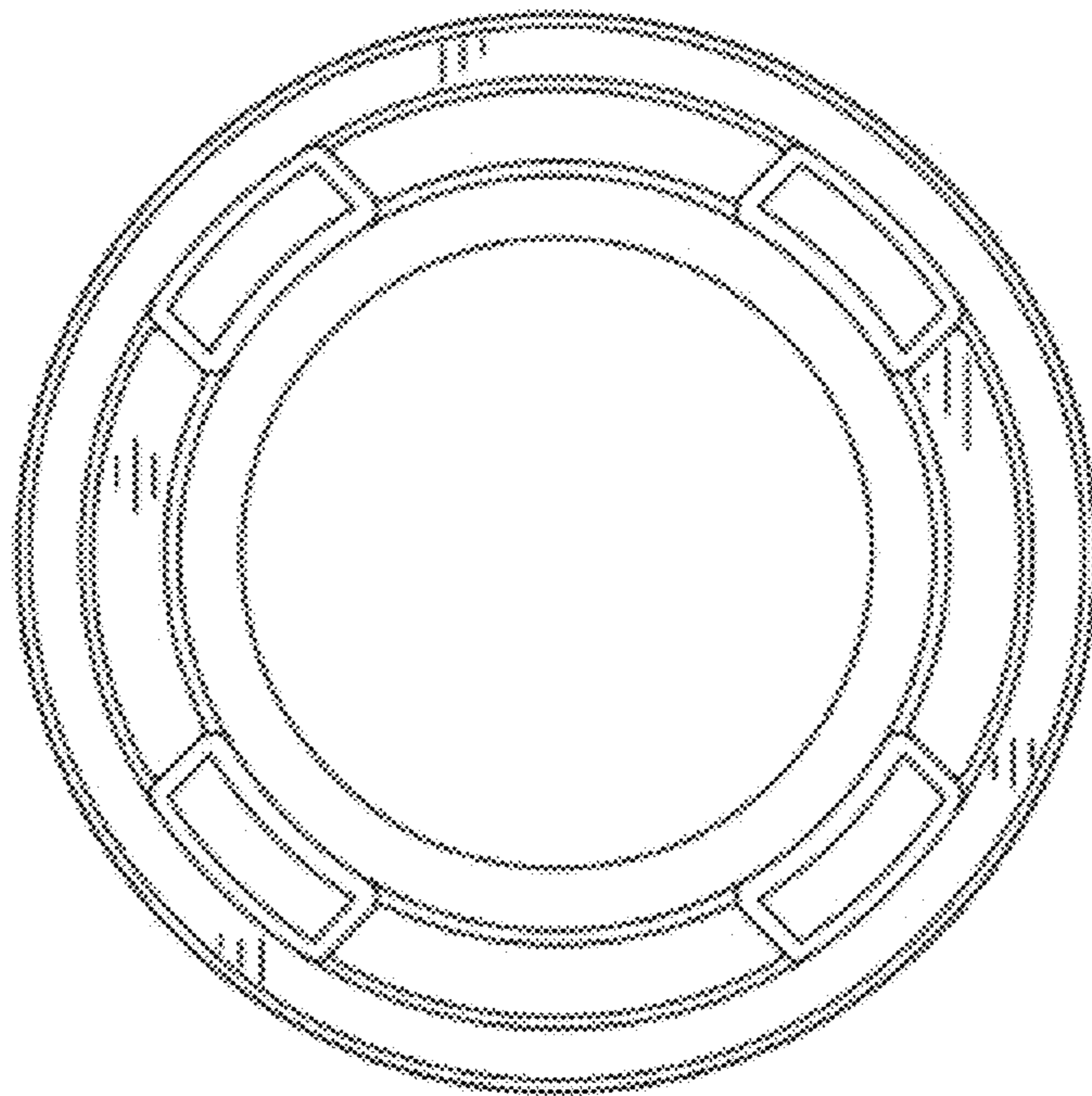


FIG. 9

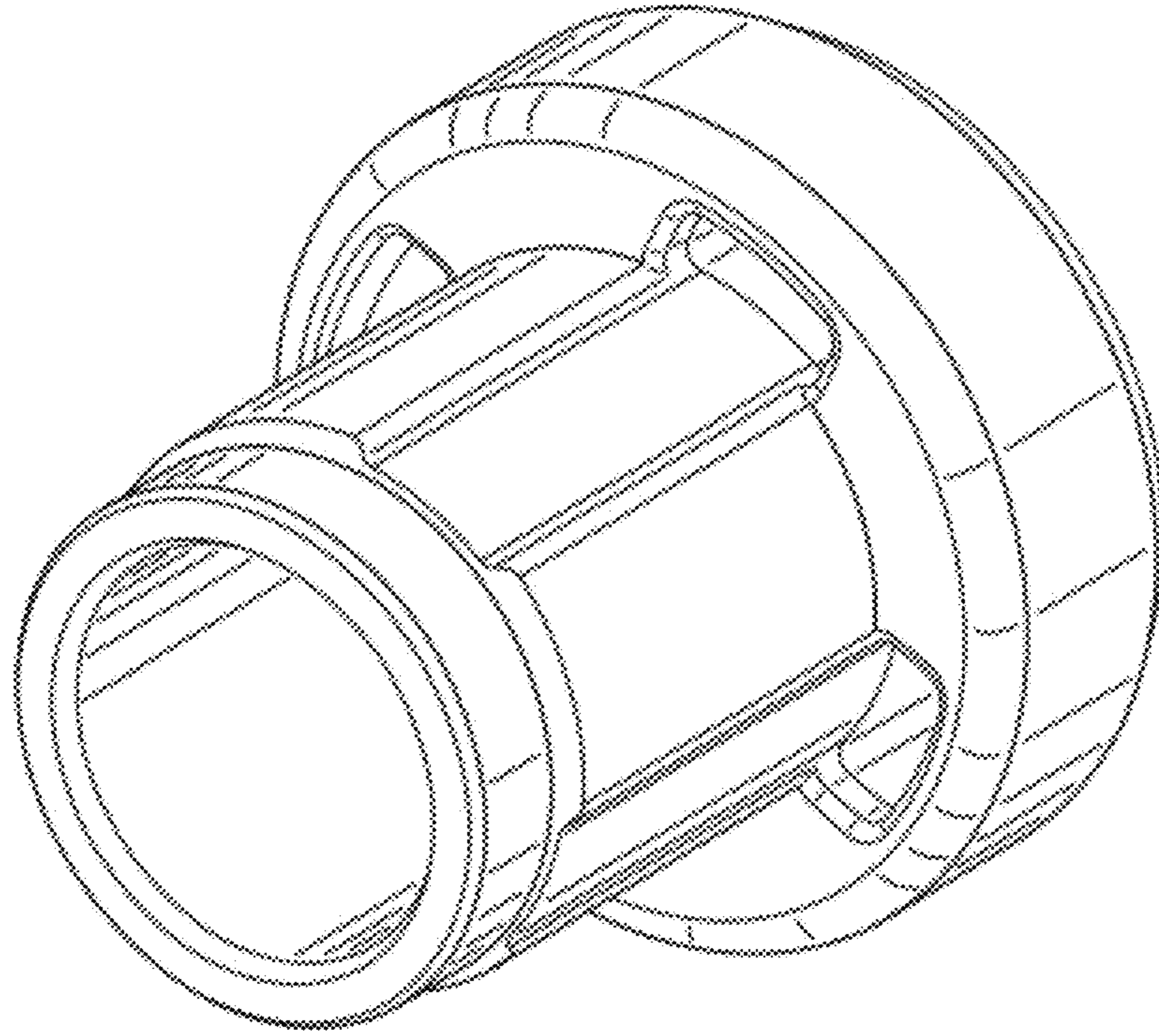


FIG. 10

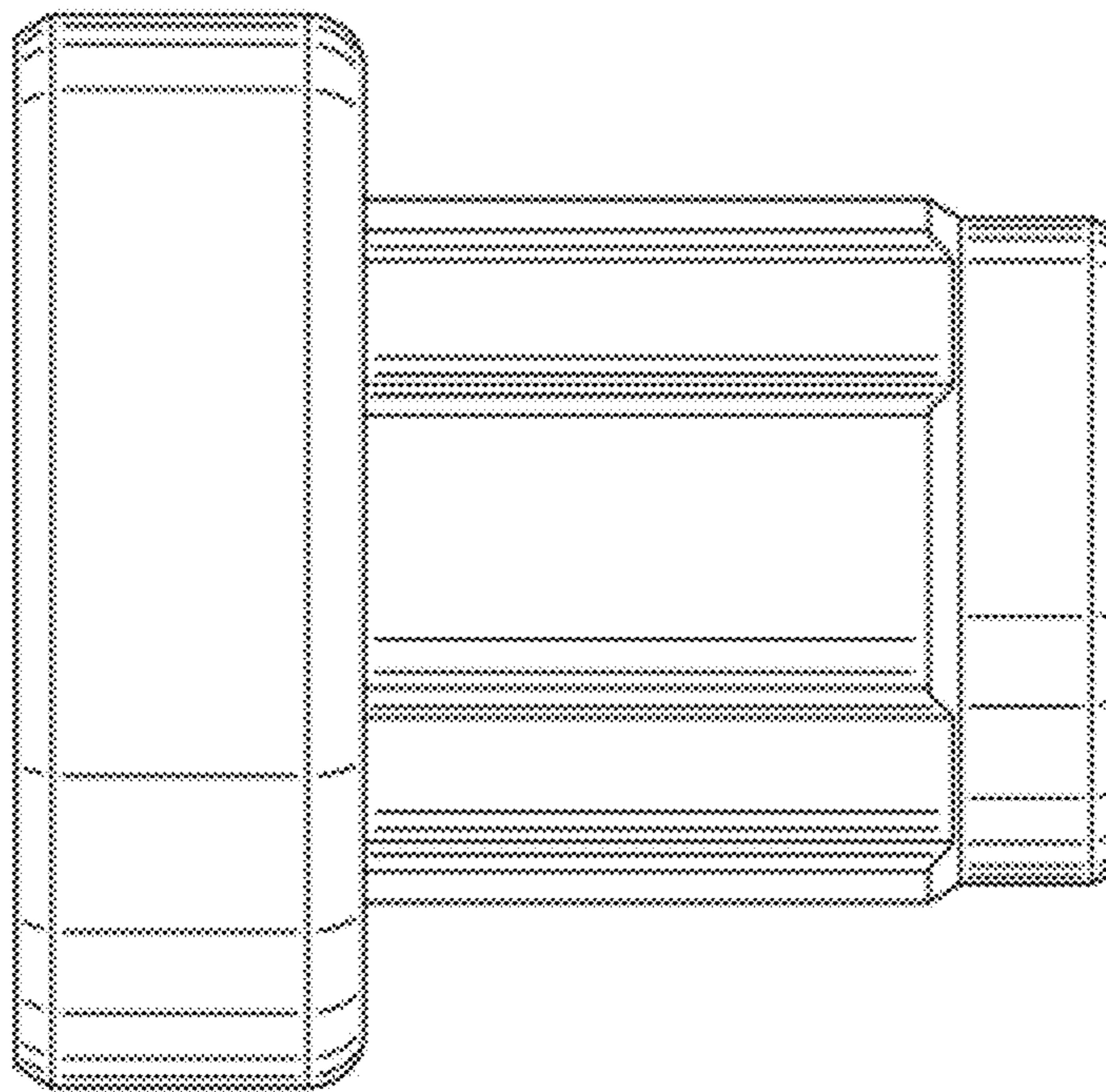


FIG. 11

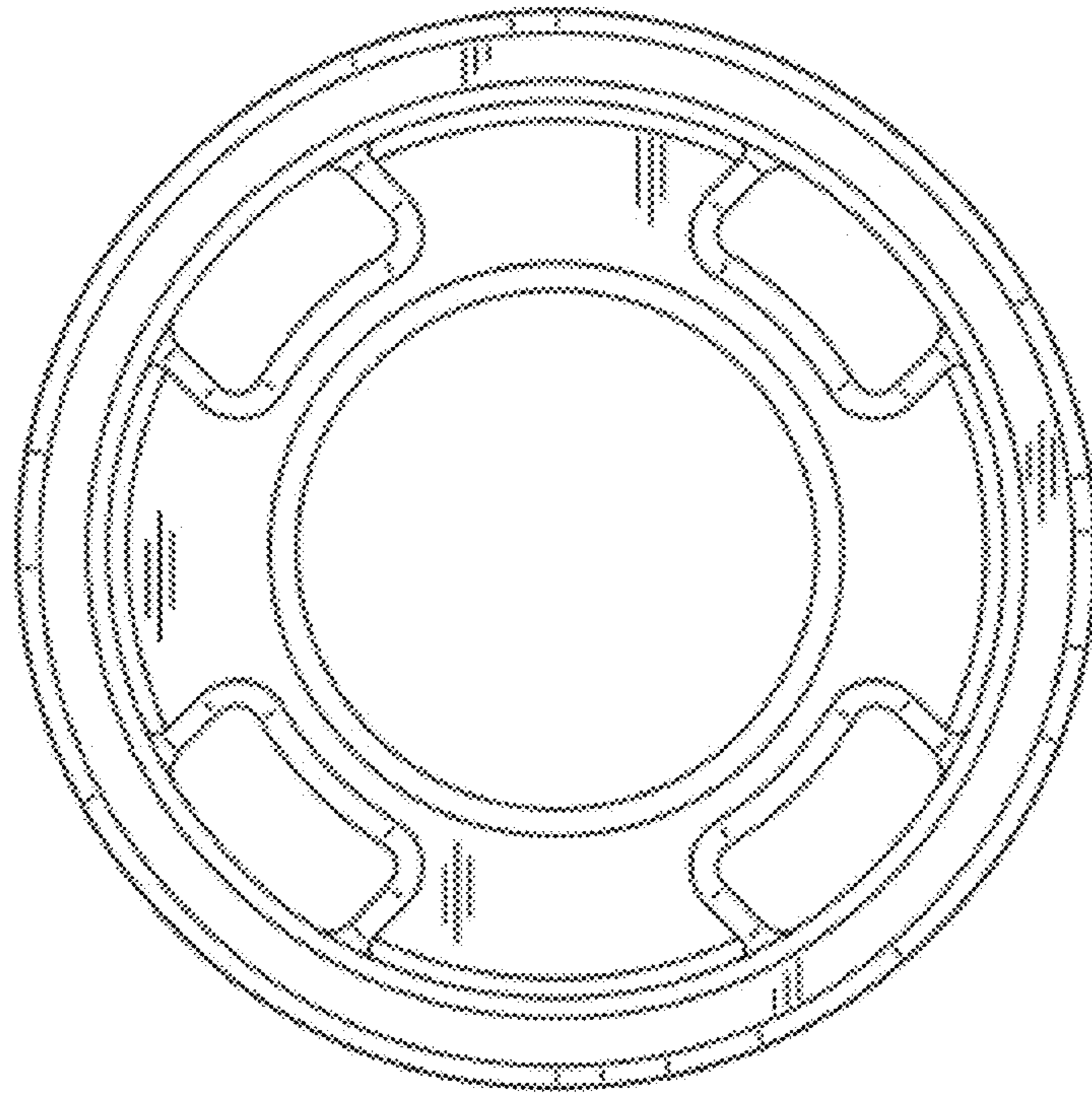


FIG. 12

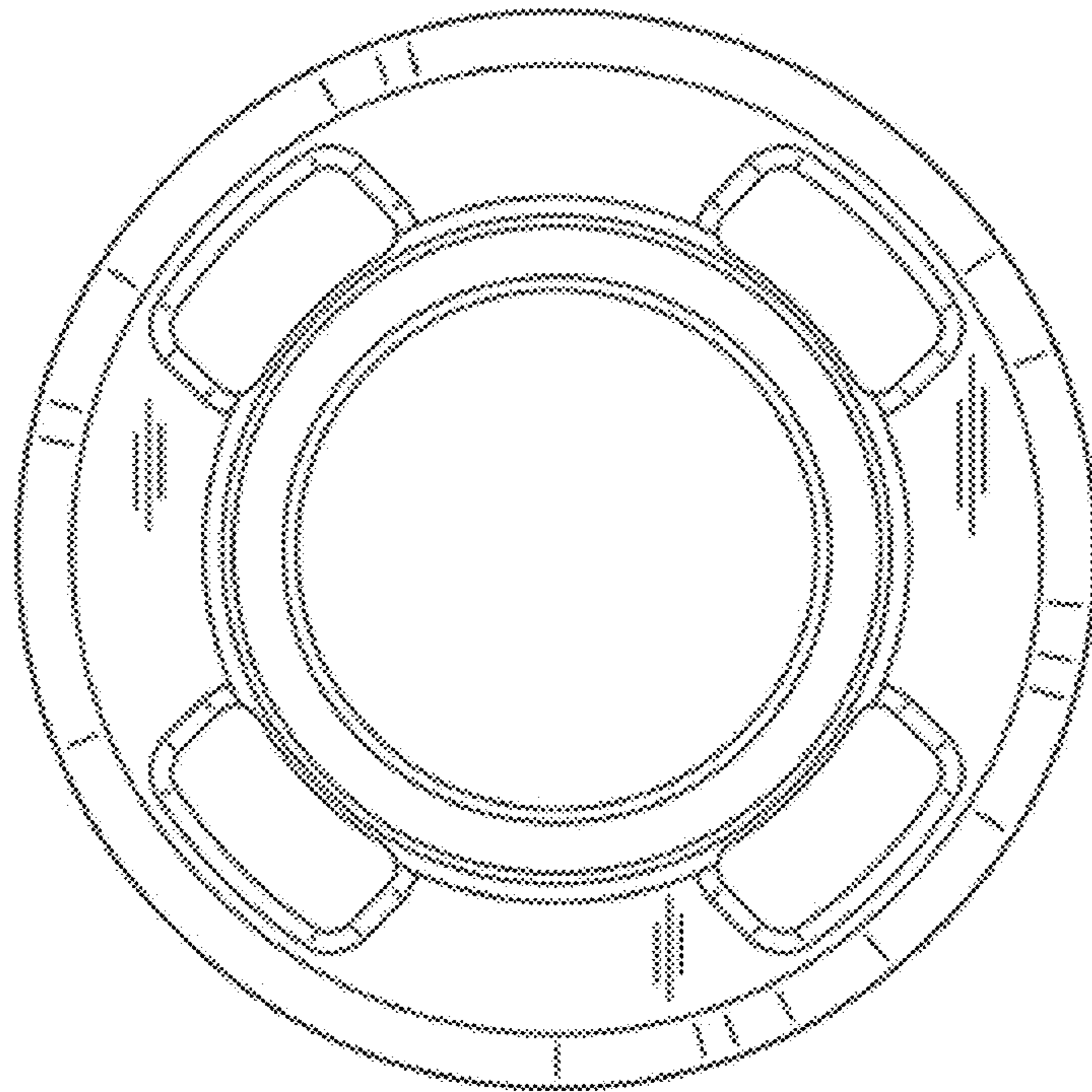


FIG. 13



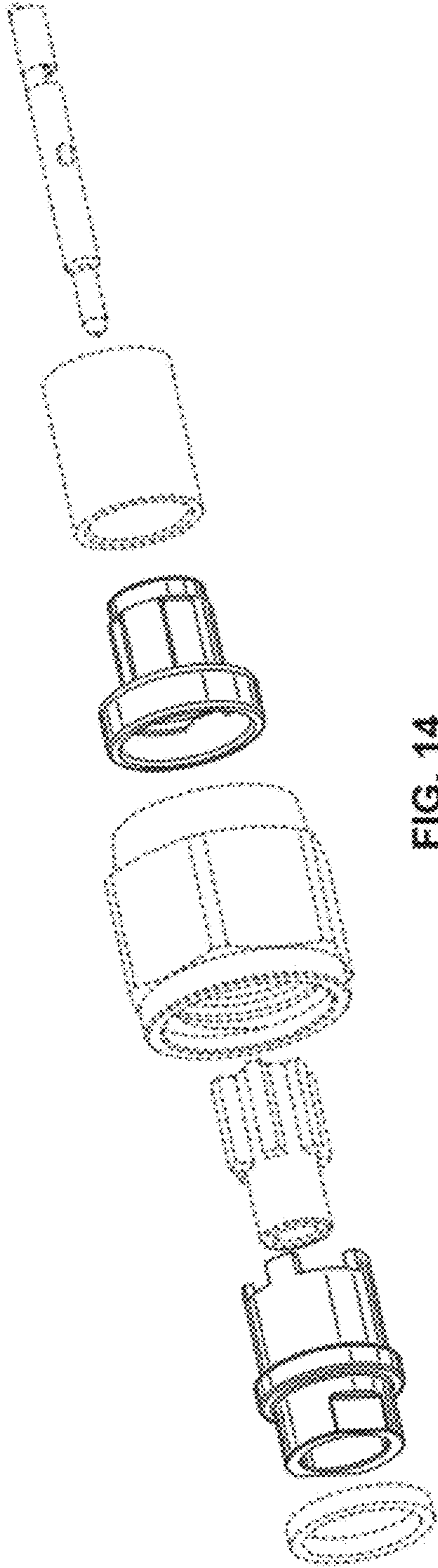


FIG. 14

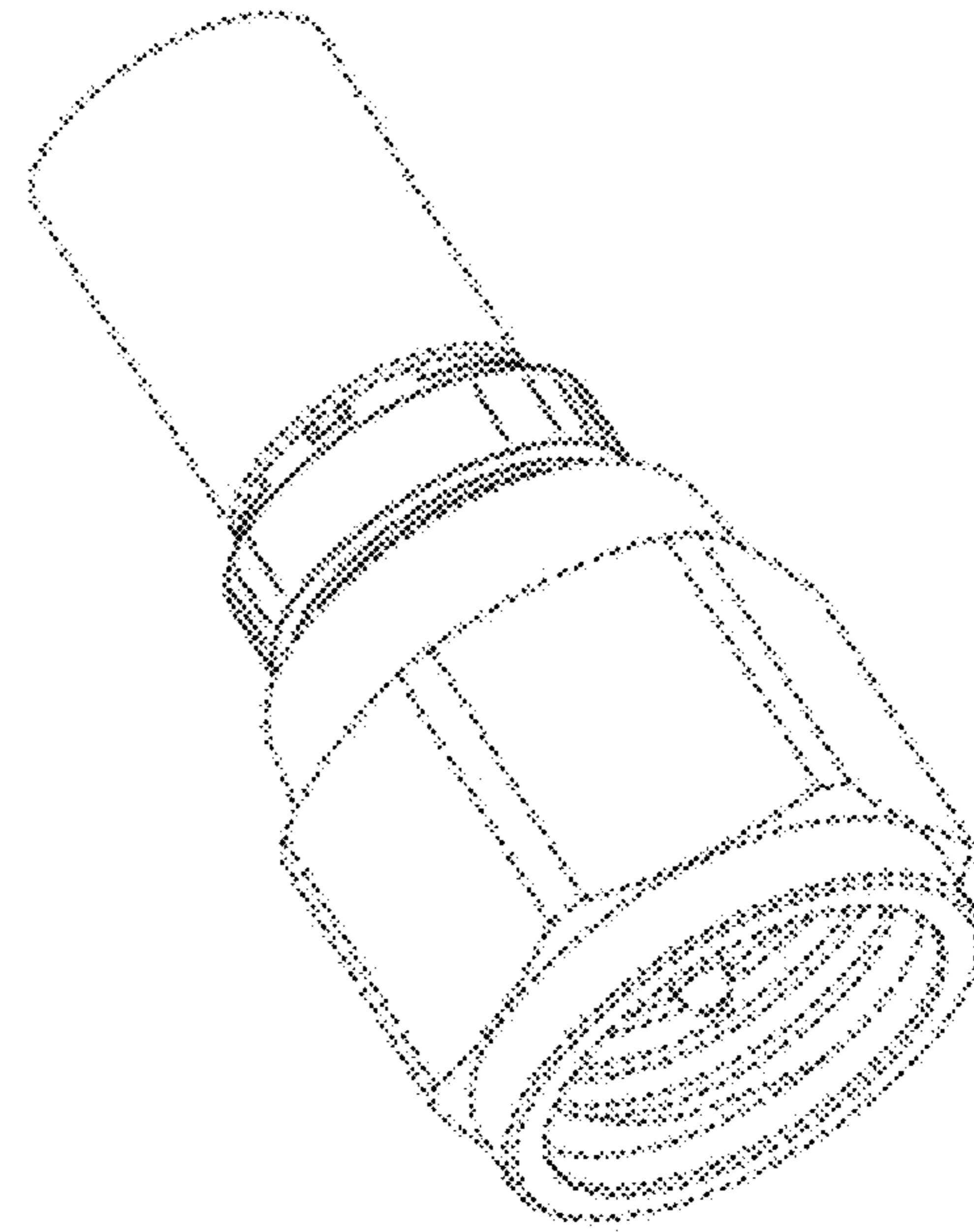


FIG. 15