



US00D675993S

(12) **United States Design Patent**  
**Izen et al.**

(10) **Patent No.:** **US D675,993 S**  
(45) **Date of Patent:** **\*\* Feb. 12, 2013**

(54) **CABLE CONNECTOR**

(75) Inventors: **Mark S. Izen**, Chestnut Hill, MA (US);  
**Craig Small**, Framingham, MA (US)

(73) Assignee: **First Act, Inc.**, Boston, MA (US)

(\*\*) Term: **14 Years**

(21) Appl. No.: **29/410,559**

(22) Filed: **Jan. 9, 2012**

(51) **LOC (9) Cl.** ..... **13-03**

(52) **U.S. Cl.** ..... **D13/147**

(58) **Field of Classification Search** ..... D13/133,  
D13/146, 147, 153, 154, 184, 199; 439/79,  
439/248, 258, 274, 350, 352, 353, 354, 357,  
439/358, 374, 447, 476.1, 594, 598, 607.01,  
439/607.04, 607.05, 607.17, 607.25, 607.34,  
439/607.41, 607.53, 656, 660, 668, 680,  
439/711, 745, 752

See application file for complete search history.

(56) **References Cited**

**U.S. PATENT DOCUMENTS**

D512,381 S \* 12/2005 Sirichai et al. .... D13/154  
D513,409 S \* 1/2006 Suckle ..... D13/156  
D514,524 S \* 2/2006 Suckle ..... D13/156  
D516,032 S \* 2/2006 Suckle et al. .... D13/147

D519,464 S \* 4/2006 Suckle et al. .... D13/156  
D519,934 S \* 5/2006 Wada et al. .... D13/156  
D520,457 S \* 5/2006 Wada et al. .... D13/156  
D520,458 S \* 5/2006 Wada et al. .... D13/156  
D549,662 S \* 8/2007 Lee et al. .... D13/154  
D563,899 S \* 3/2008 Goetz et al. .... D13/154  
D644,999 S \* 9/2011 Lee et al. .... D13/154  
D645,022 S \* 9/2011 Lee et al. .... D14/205

\* cited by examiner

*Primary Examiner* — Daniel Bui

(74) *Attorney, Agent, or Firm* — Lando & Anastasi, LLP

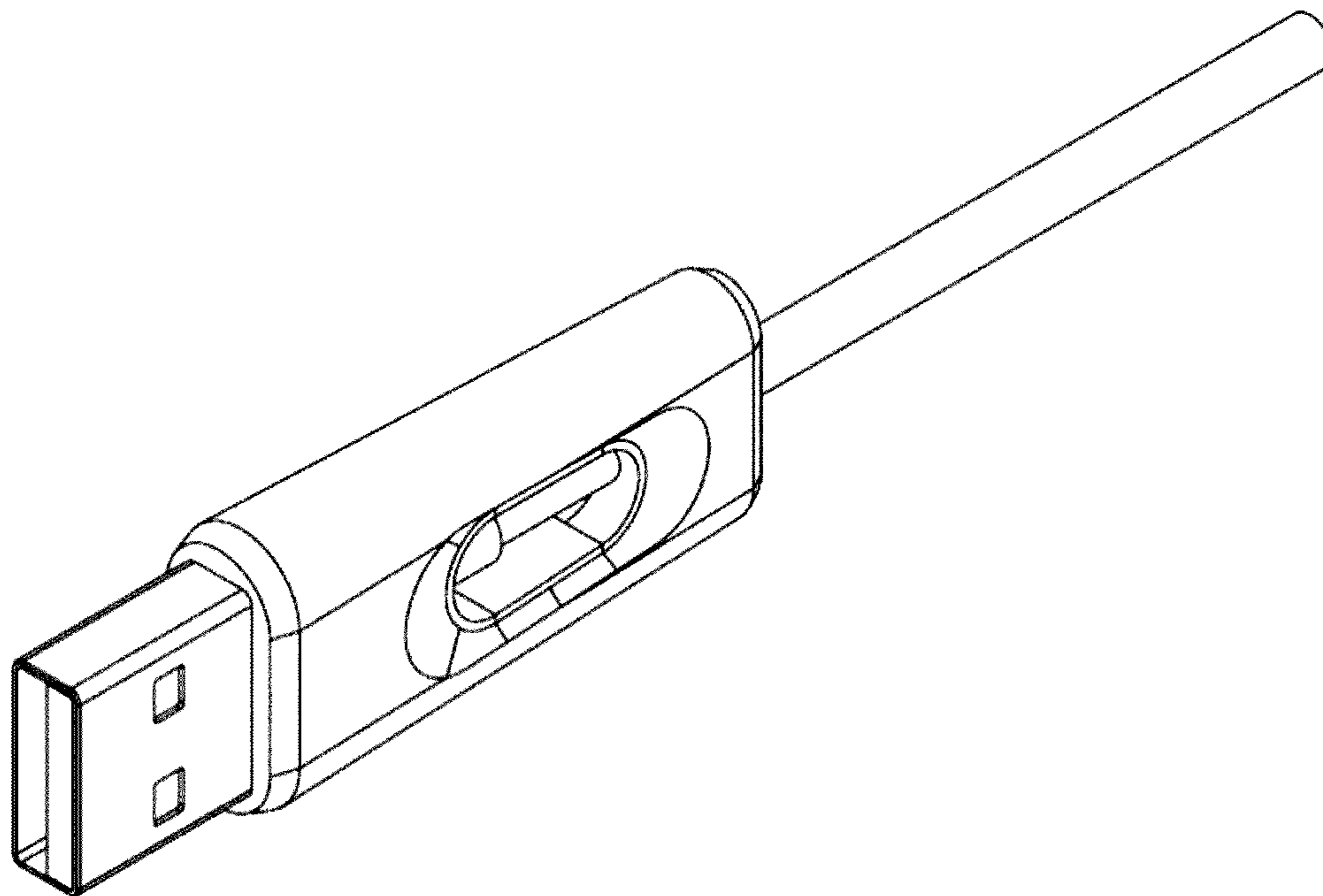
(57) **CLAIM**

The ornamental design for a cable connector, as shown and described.

**DESCRIPTION**

FIG. 1 is a front, top and left side perspective view of a cable connector showing our new design;  
FIG. 2 is a top plan view thereof;  
FIG. 3 is a bottom plan view thereof;  
FIG. 4 is a right side elevation view thereof;  
FIG. 5 is a left side elevation view thereof;  
FIG. 6 is a front elevation view thereof; and,  
FIG. 7 is a rear elevation view thereof.

**1 Claim, 7 Drawing Sheets**



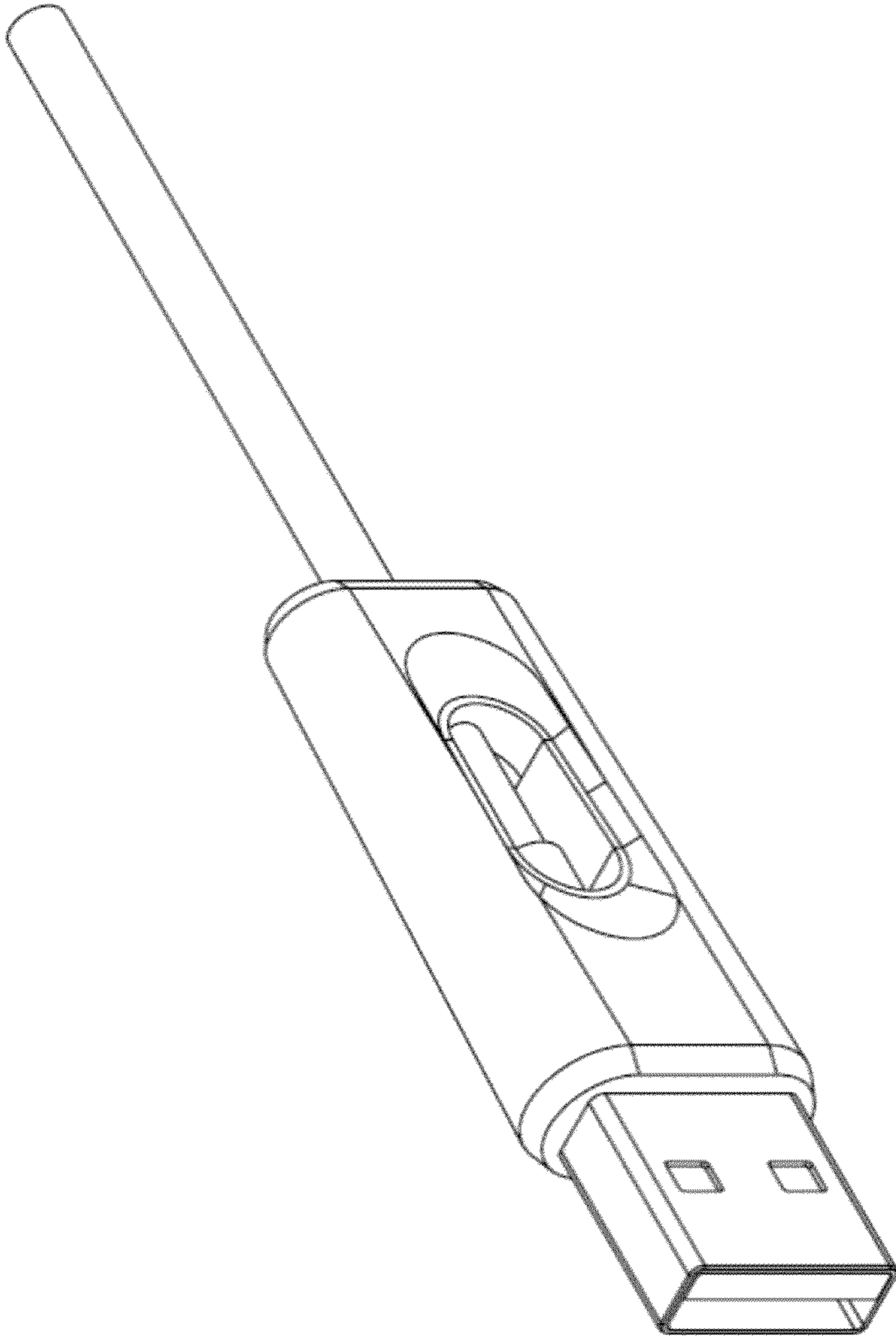


Fig. 1

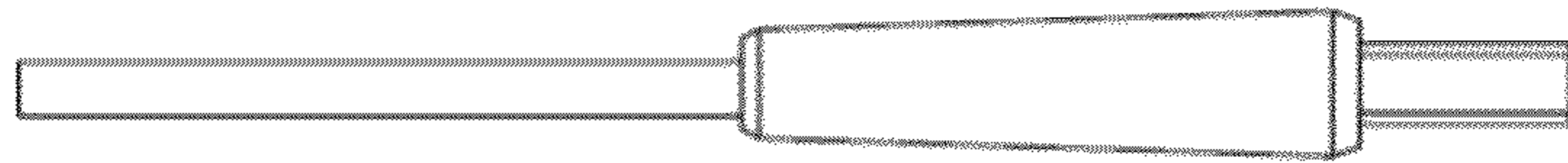


Fig. 2

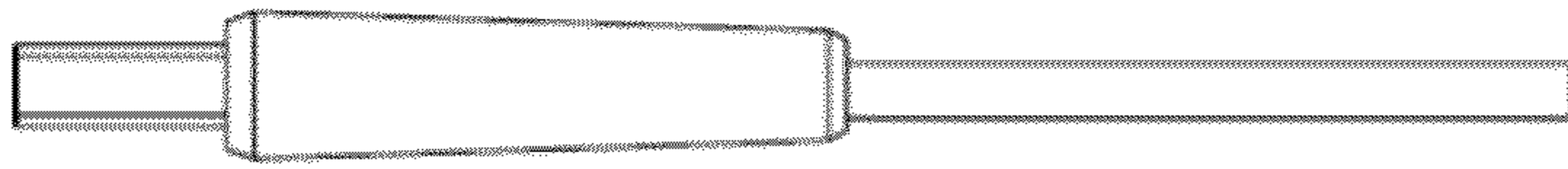


Fig. 3

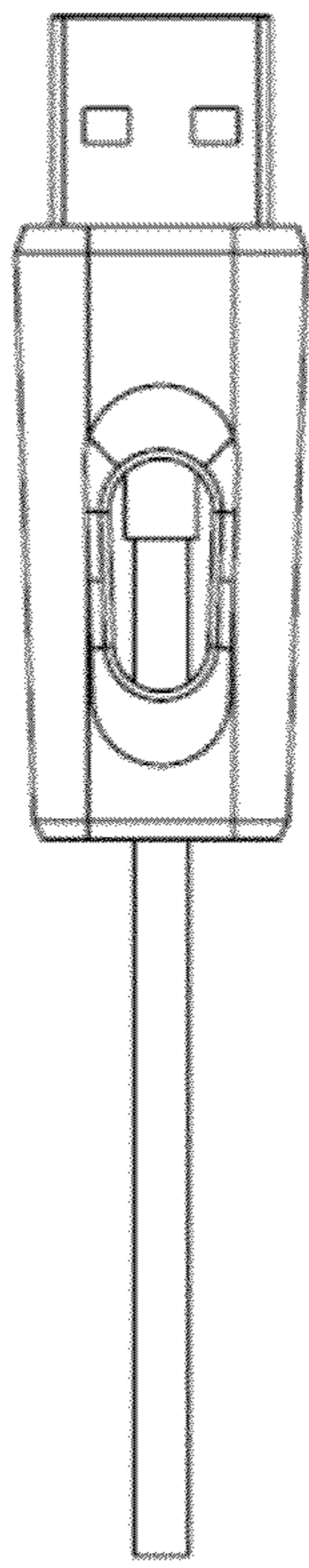


Fig. 4

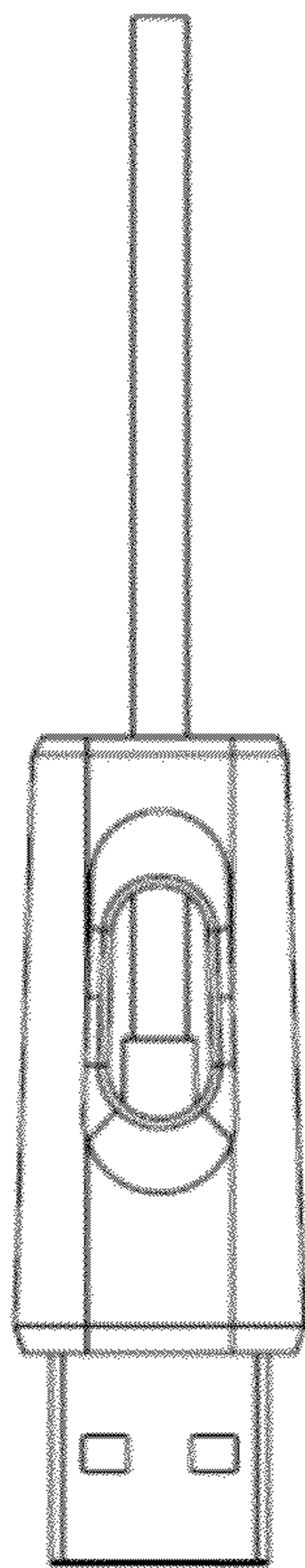


Fig. 5

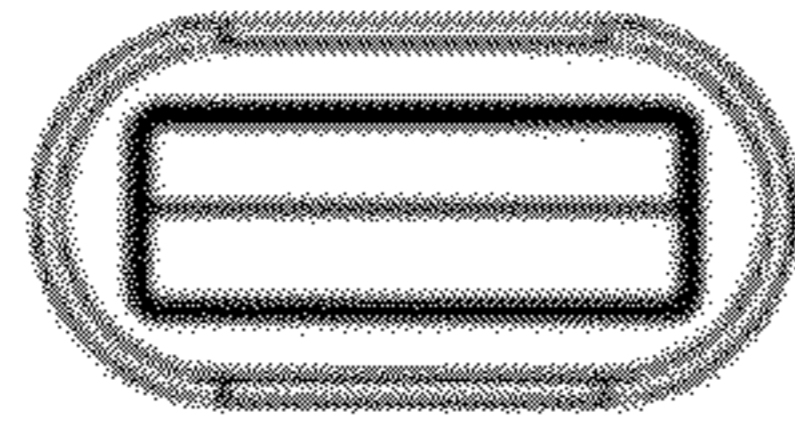


Fig. 6

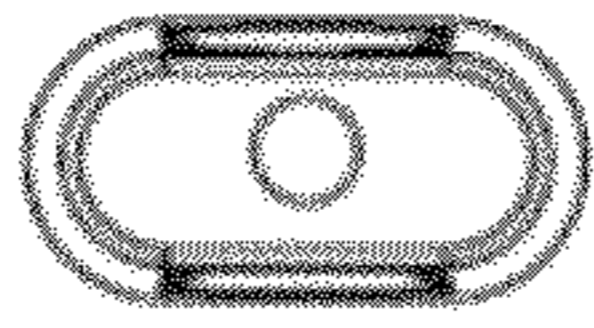


Fig. 7