



US00D675992S

(12) **United States Design Patent**
Farris-Gilbert et al.

(10) **Patent No.:** **US D675,992 S**
(45) **Date of Patent:** **** Feb. 12, 2013**

(54) **USB CABLE**

(75) Inventors: **Cezanne-Simon Farris-Gilbert**, Long Beach, CA (US); **Alan Chun-Ye Yeung**, Santa Ana, CA (US)

(73) Assignee: **Aviiq IP Inc**, Hong Kong (CN)

(**) Term: **14 Years**

(21) Appl. No.: **29/409,875**

(22) Filed: **Dec. 29, 2011**

(51) **LOC (9) Cl.** **13-03**

(52) **U.S. Cl.** **D13/147**

(58) **Field of Classification Search** D13/133,
D13/146, 147, 154, 184, 199; 439/79, 248,
439/258, 274, 350, 352, 353, 354, 357, 358,
439/374, 447, 476.1, 594, 598, 607.01, 607.04,
439/607.05, 607.17, 607.25, 607.34, 607.41,
439/607.53, 656, 660, 668, 680, 711, 745,
439/752

See application file for complete search history.

(56) **References Cited**

U.S. PATENT DOCUMENTS

6,522,534 B1 2/2003 Wu
6,733,329 B2 5/2004 Yang
6,932,276 B1 8/2005 Liu
7,029,193 B1 4/2006 Chao
D531,118 S * 10/2006 Krieger et al. D14/435.1

D552,552 S * 10/2007 Chan D13/147
D556,752 S * 12/2007 Otsuka D14/480.5
D558,763 S * 1/2008 Morganstern et al. D14/480.7
D566,651 S * 4/2008 Chan et al. D13/123
2004/0042735 A1 3/2004 Ma
2004/0233629 A1 11/2004 Wang et al.
2005/0083315 A1 4/2005 Pei
2006/0226225 A1 10/2006 Hsiao et al.
2007/0231053 A1 10/2007 Chan

* cited by examiner

Primary Examiner — Daniel Bui

(74) *Attorney, Agent, or Firm* — Seed IP Law Group PLLC

(57) **CLAIM**

The ornamental design for a USB cable, as shown and described.

DESCRIPTION

FIG. 1 is an isometric view of a USB cable, showing our new design.

FIG. 2 is a front elevational view thereof.

FIG. 3 is a rear elevational view thereof.

FIG. 4 is a right side elevational view thereof.

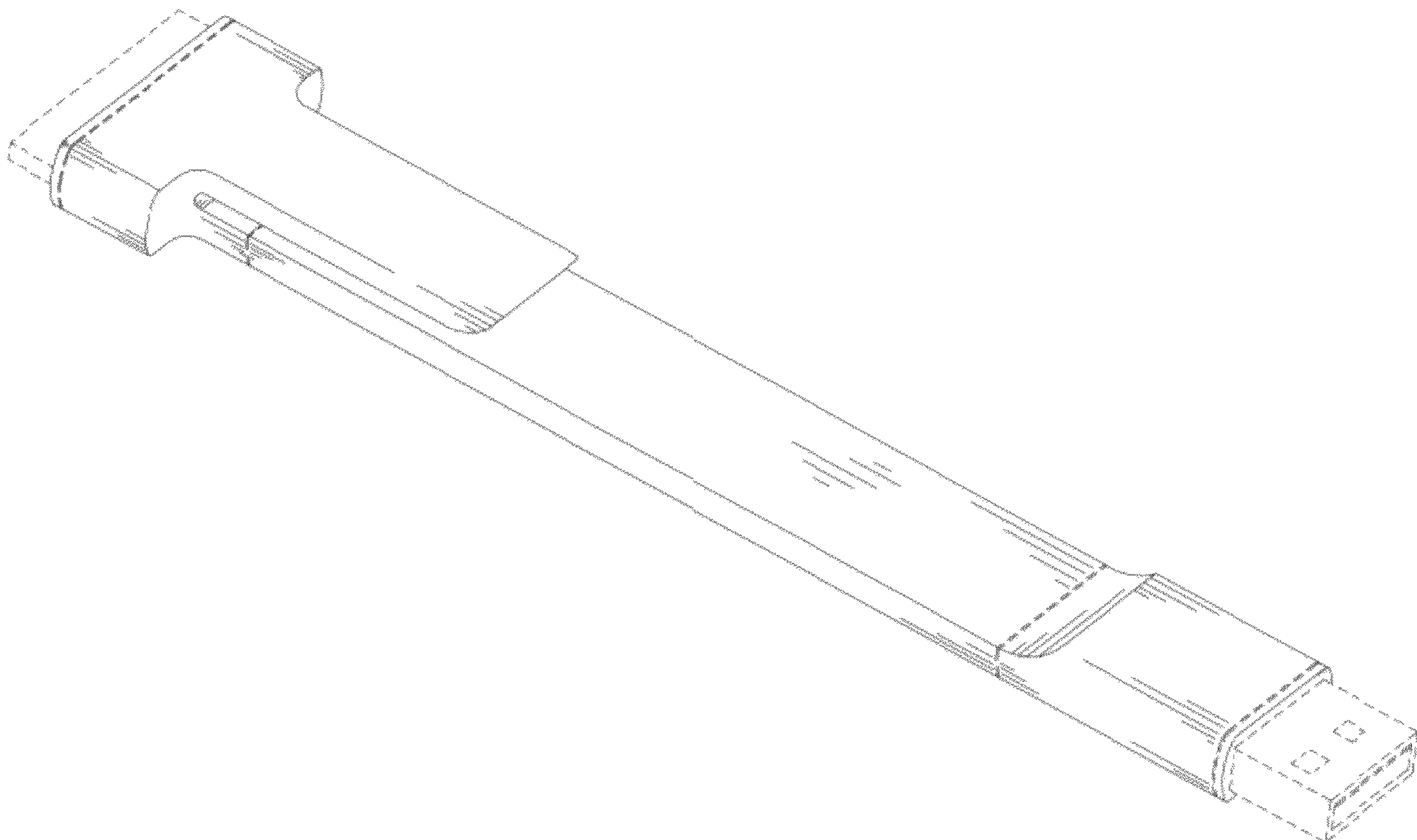
FIG. 5 is a left side elevational view thereof.

FIG. 6 is a top plan view thereof; and,

FIG. 7 is a bottom plan view thereof.

Shading lines shown in the drawings are intended to represent the approximate three-dimensional contour of the design, and are not intended to indicate surface decoration. The broken line portion of the figure drawings is included for the purpose of illustrating environment and forms no part of the claimed design.

1 Claim, 4 Drawing Sheets



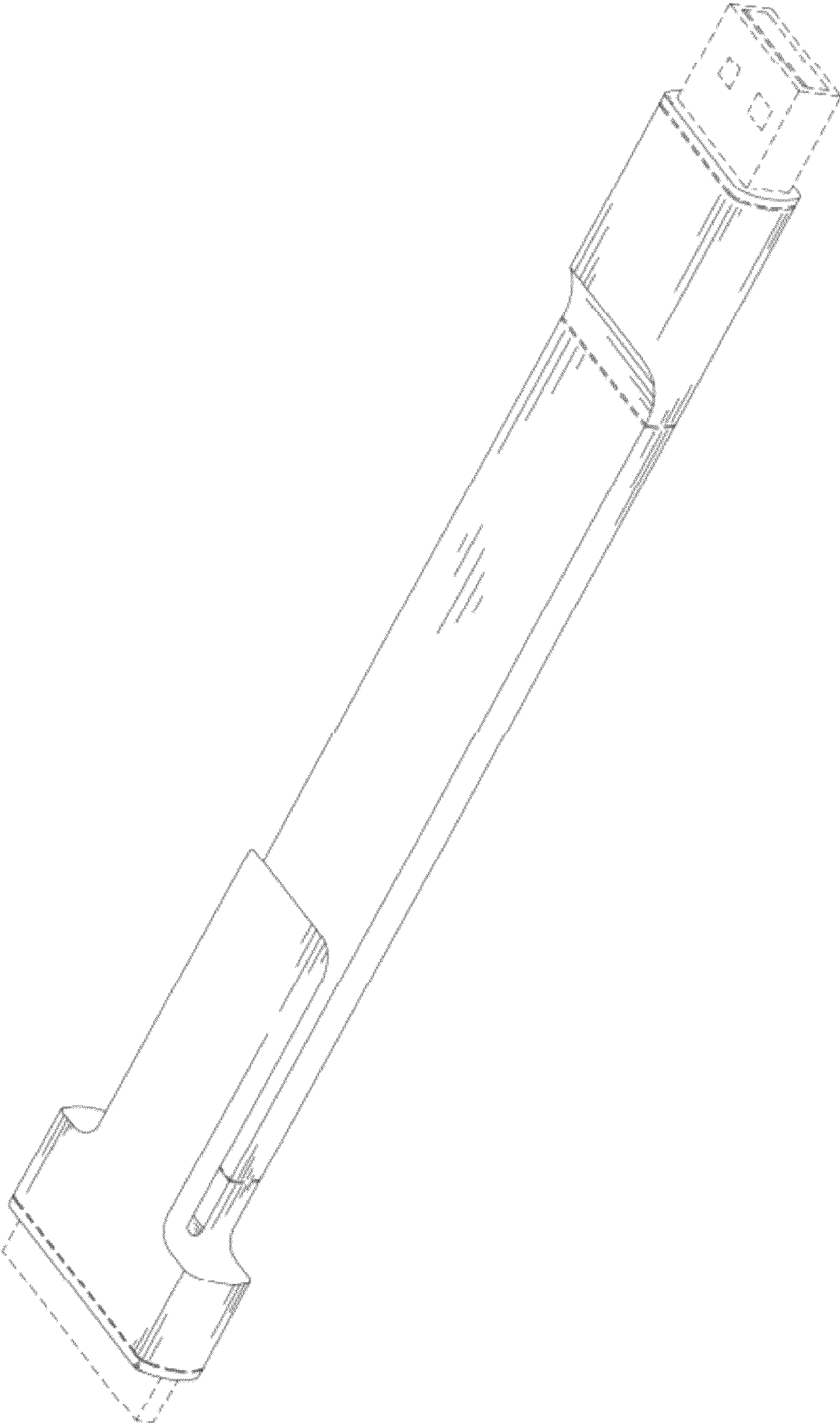


FIG. 1

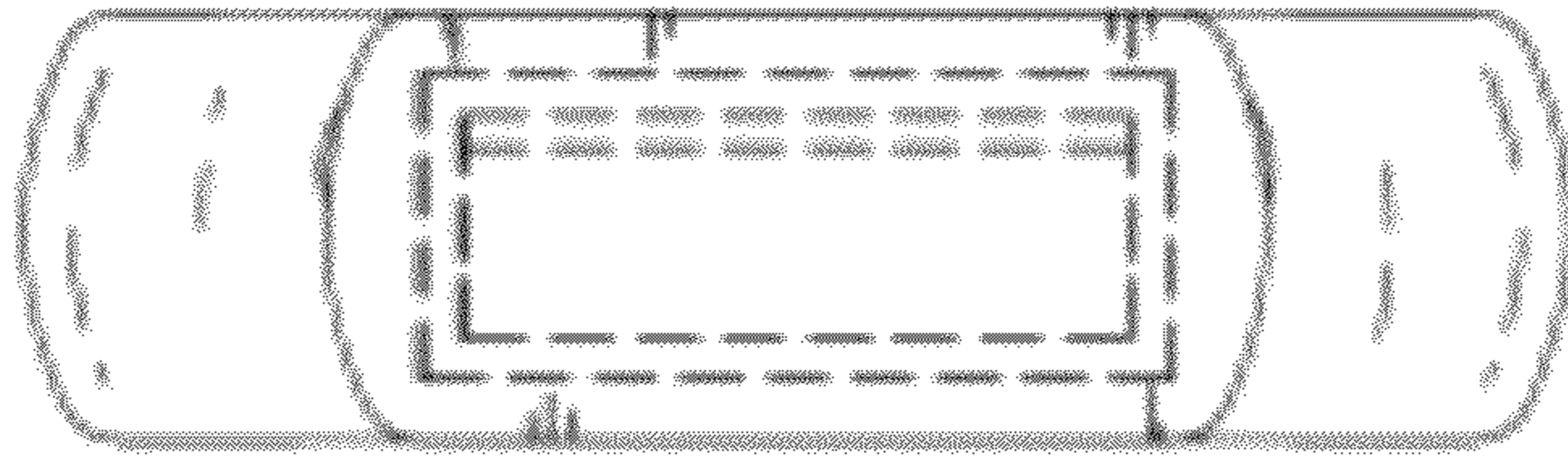


FIG. 2

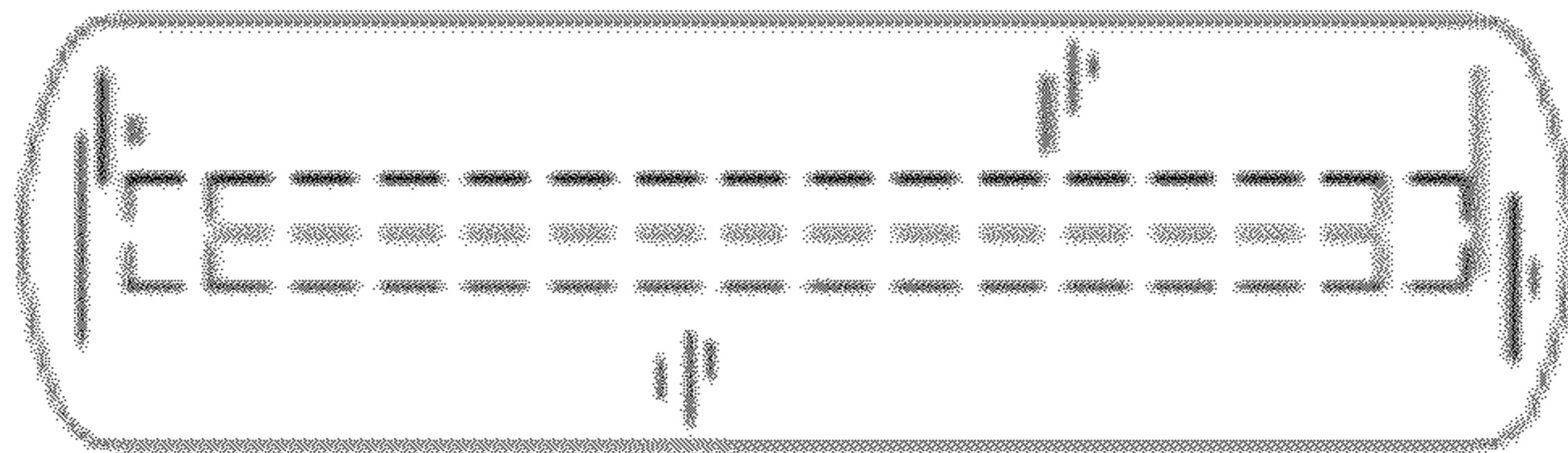


FIG. 3



FIG. 4



FIG. 5

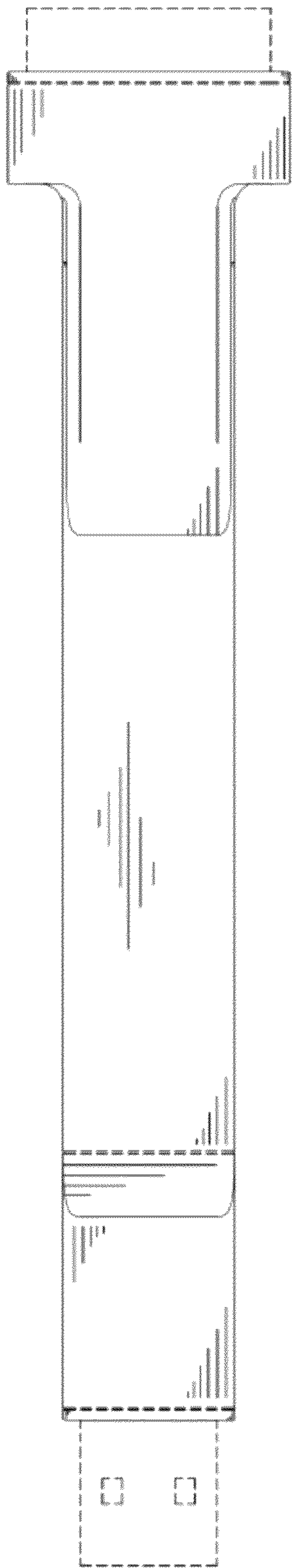


FIG. 6

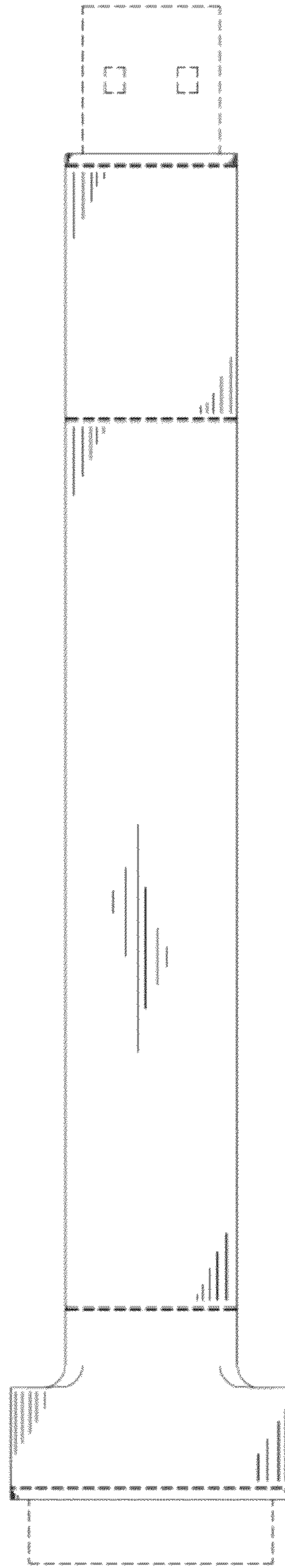


FIG. 7