

US00D675991S

(12) **United States Design Patent**
Sasada et al.

(10) **Patent No.:** **US D675,991 S**

(45) **Date of Patent:** **** Feb. 12, 2013**

(54) **ELECTRICAL CONNECTOR**

(75) Inventors: **Kosuke Sasada, Yao (JP); Hayato Kondo, Yao (JP)**

(73) Assignee: **Hosiden Corporation, Yao-shi (JP)**

(**) Term: **14 Years**

(21) Appl. No.: **29/400,334**

(22) Filed: **Aug. 26, 2011**

(30) **Foreign Application Priority Data**

Mar. 2, 2011 (JP) 2011-004685

Mar. 15, 2011 (JP) 2011-005887

(51) **LOC (9) Cl.** **13-03**

(52) **U.S. Cl.** **D13/147**

(58) **Field of Classification Search** D13/133,
D13/146, 147, 154, 184, 199; 439/79, 248,
439/258, 274, 350, 352, 353, 354, 357, 358,
439/374, 447, 476.1, 594, 598, 607.01, 607.04,
439/607.05, 607.17, 607.25, 607.34, 607.41,
439/607.53, 656, 660, 668, 680, 711, 745,
439/752

See application file for complete search history.

(56) **References Cited**

U.S. PATENT DOCUMENTS

D451,886	S	*	12/2001	Goto	D13/147
D488,783	S	*	4/2004	Goto	D13/147
D636,731	S	*	4/2011	Sasaki et al.	D13/147
D636,734	S	*	4/2011	Hsieh et al.	D13/147
D641,323	S	*	7/2011	Kondo et al.	D13/147
D649,120	S	*	11/2011	Kondo et al.	D13/147

* cited by examiner

Primary Examiner — Daniel Bui

(74) *Attorney, Agent, or Firm* — Rankin, Hill & Clark LLP

(57) **CLAIM**

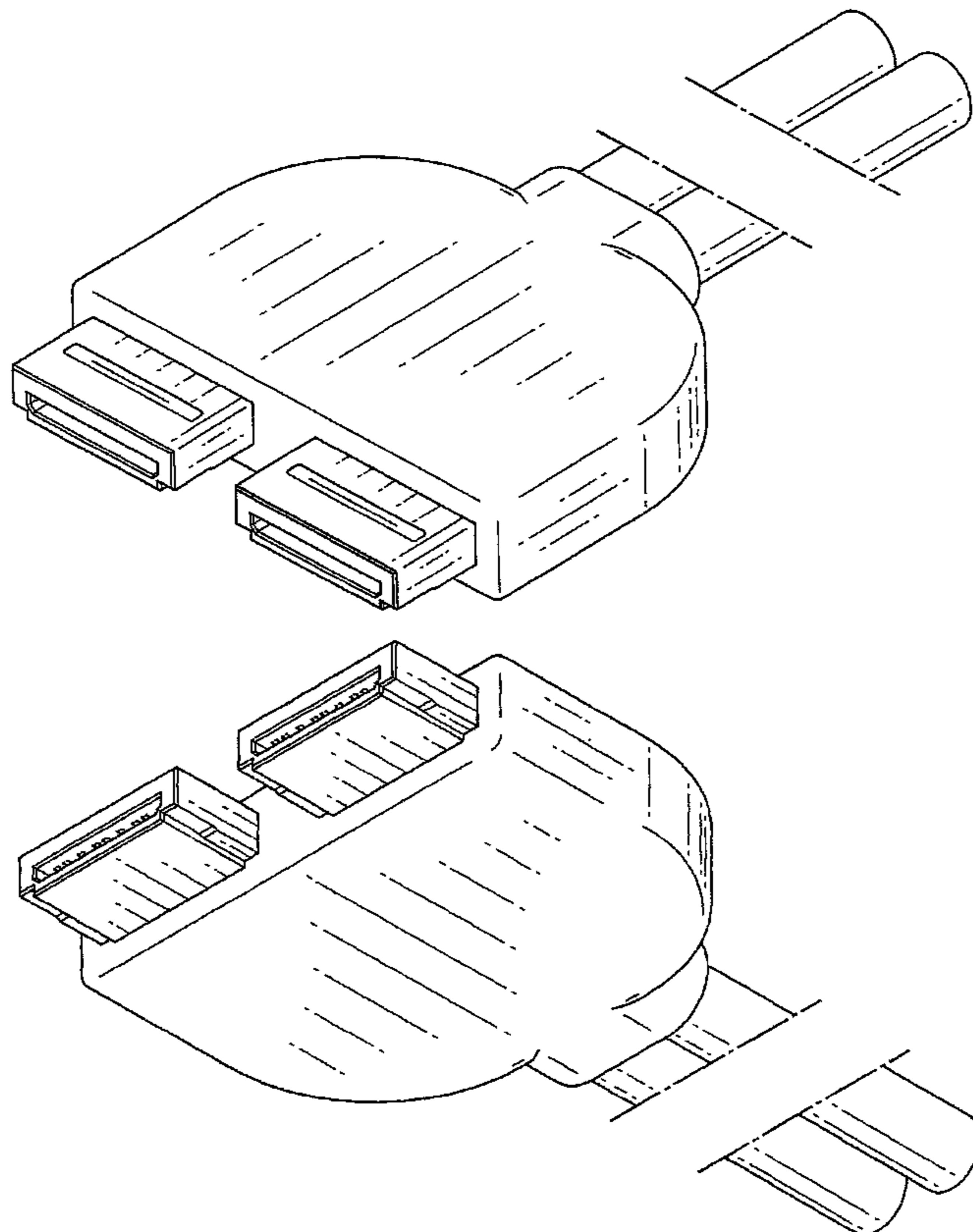
The ornamental design for an electrical connector, as shown and described.

DESCRIPTION

FIG. 1 is a front, left side and top perspective view of an electrical connector showing our new design; FIG. 2 is a rear, left side and top perspective view thereof; FIG. 3 is a front elevation view thereof; FIG. 4 is a rear elevation view thereof; FIG. 5 is a left side elevation view thereof; FIG. 6 is right side elevation view thereof; and, FIG. 7 is a top plan view thereof, a bottom plan view being a mirror image thereto.

The broken line portion of the figure drawings is included to show unclaimed environment only and forms no part of the claimed design.

1 Claim, 6 Drawing Sheets



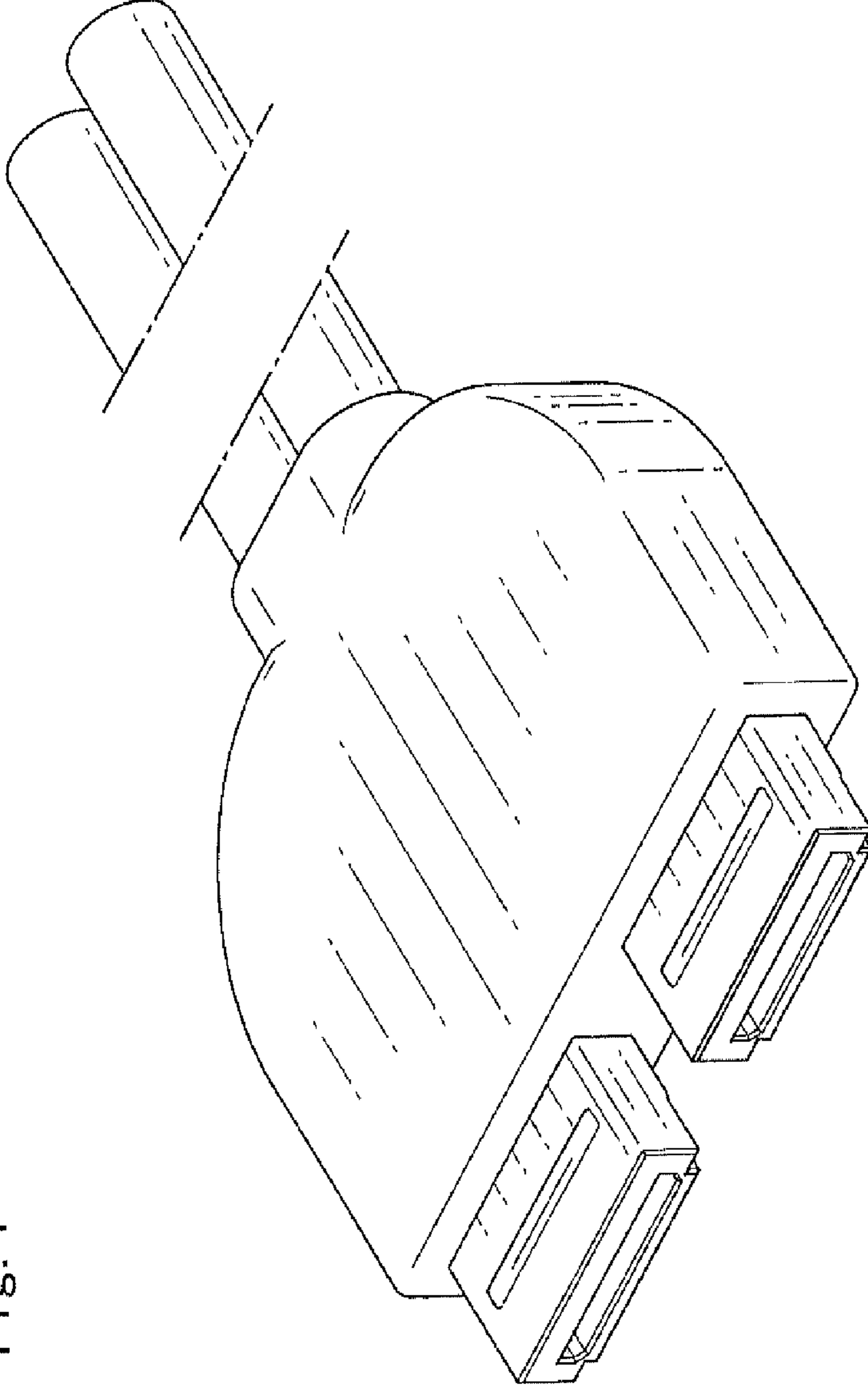


Fig. 1

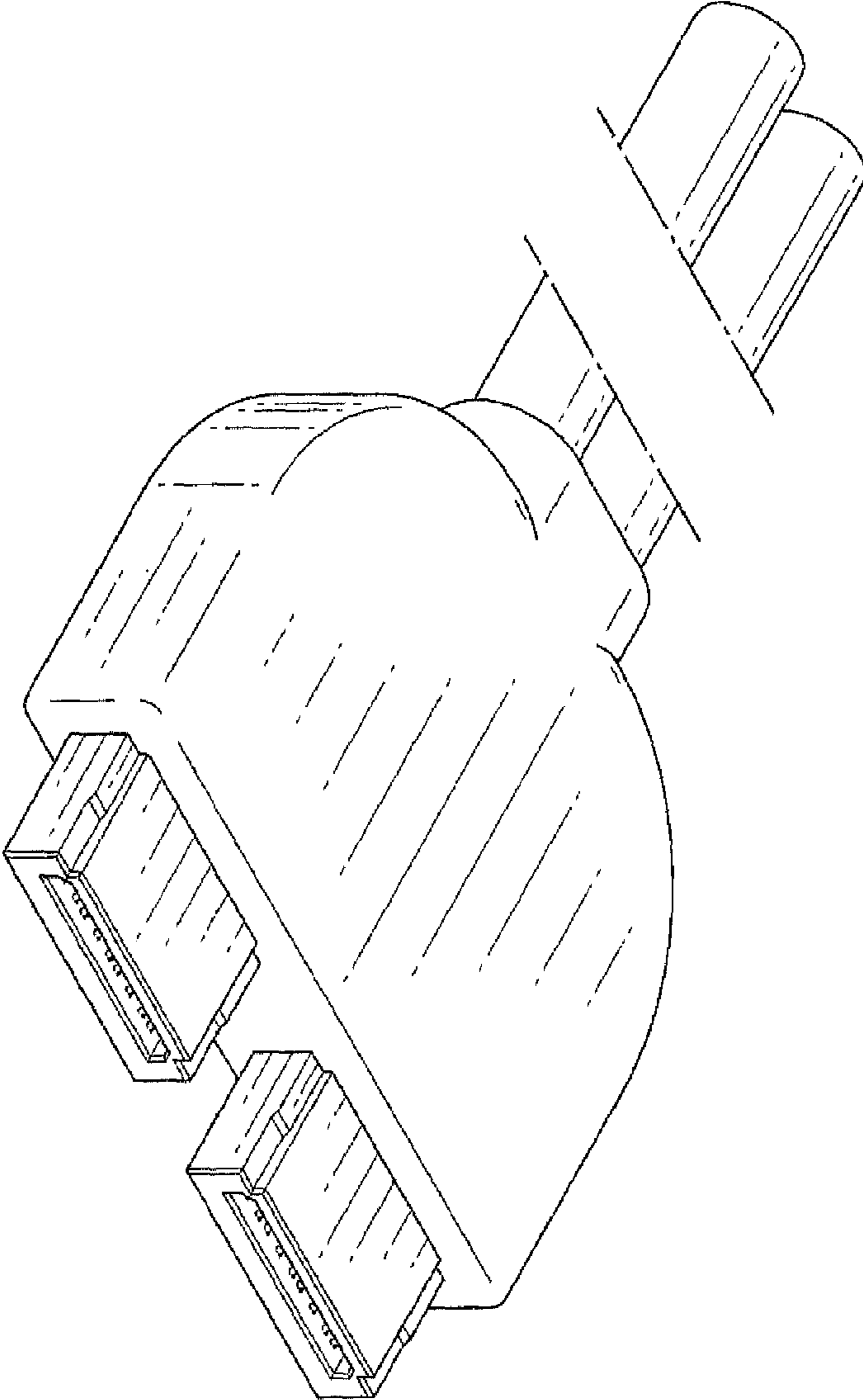


Fig. 2

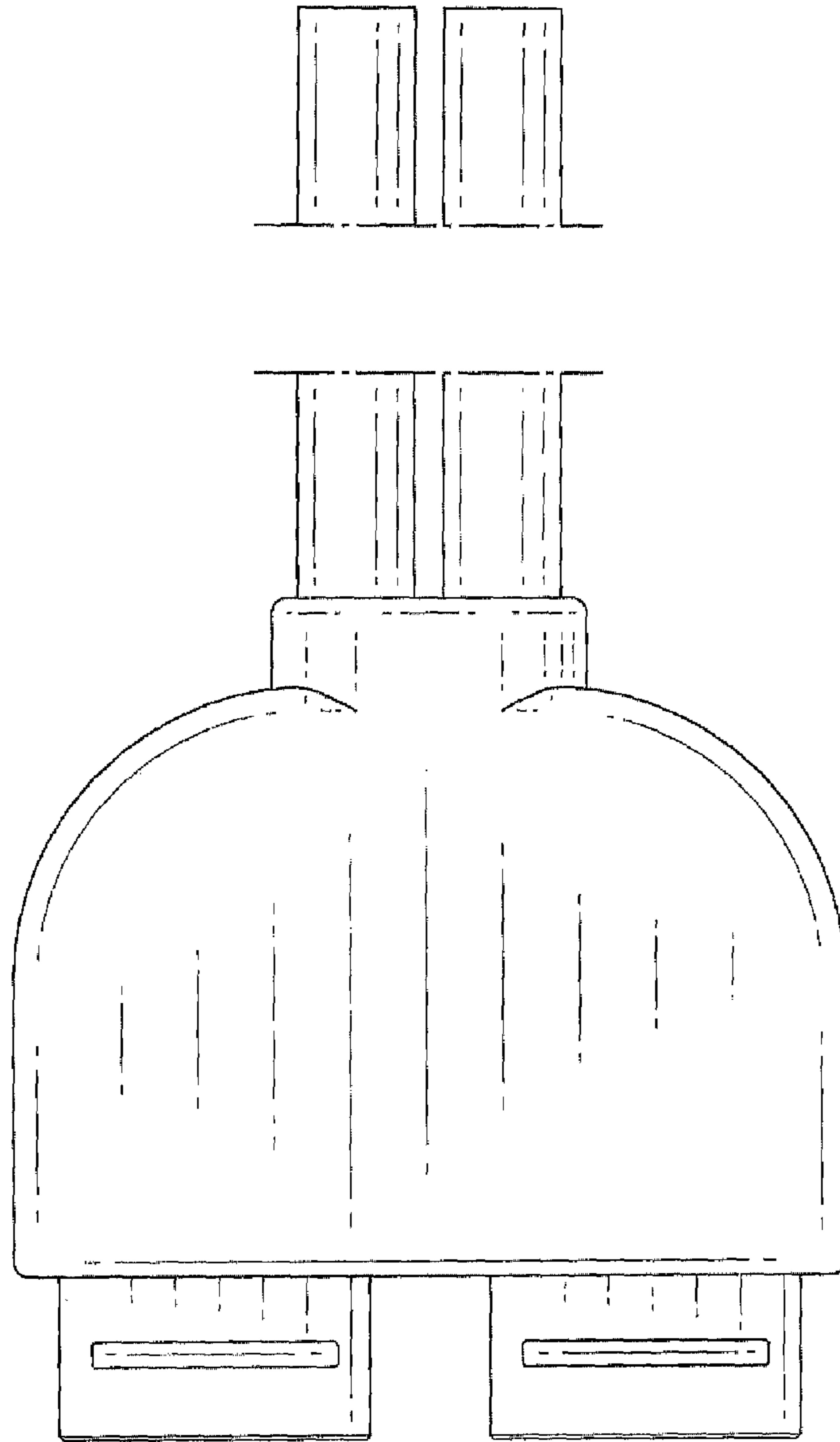


Fig. 3

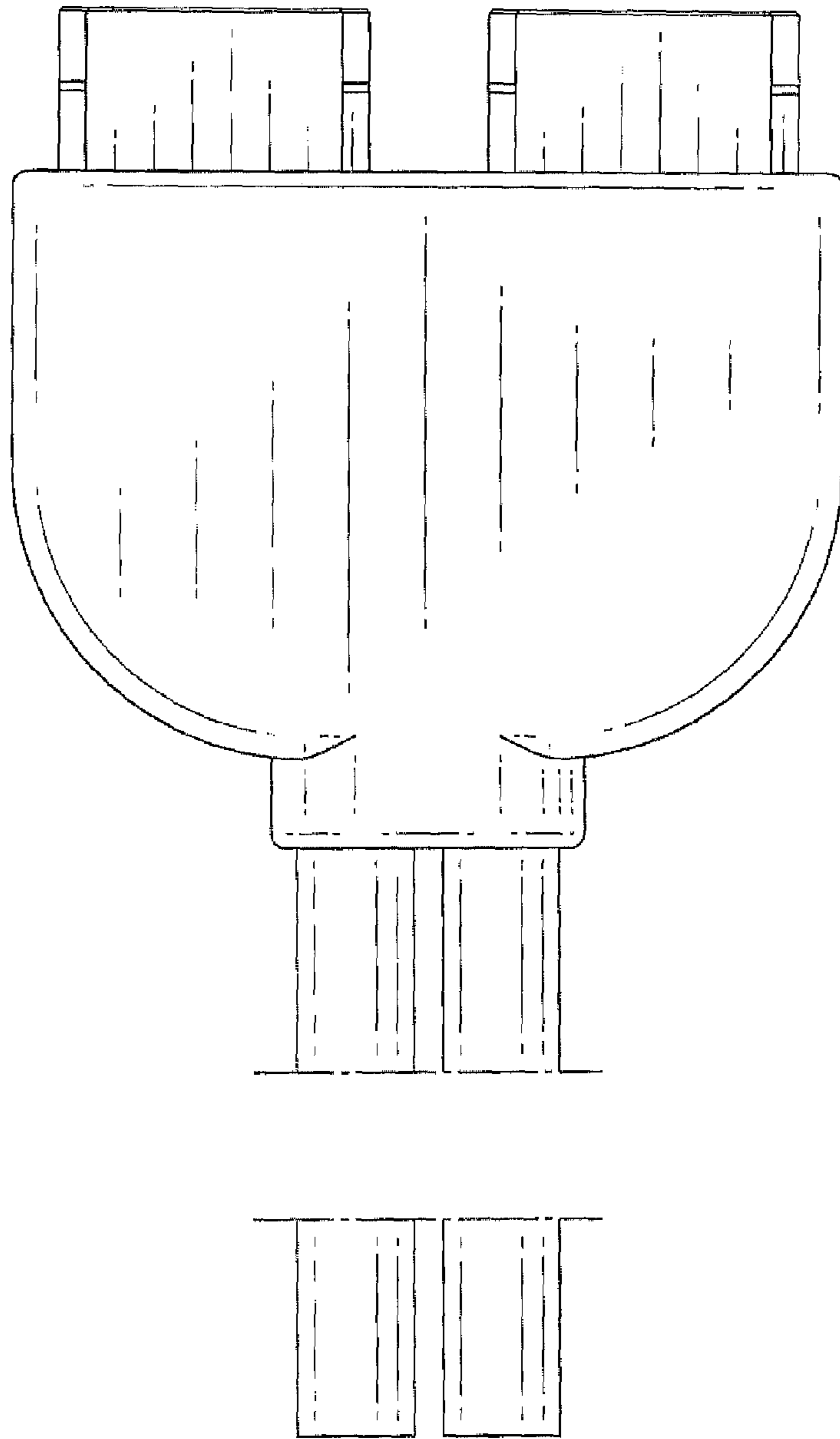


Fig. 4

Fig. 6

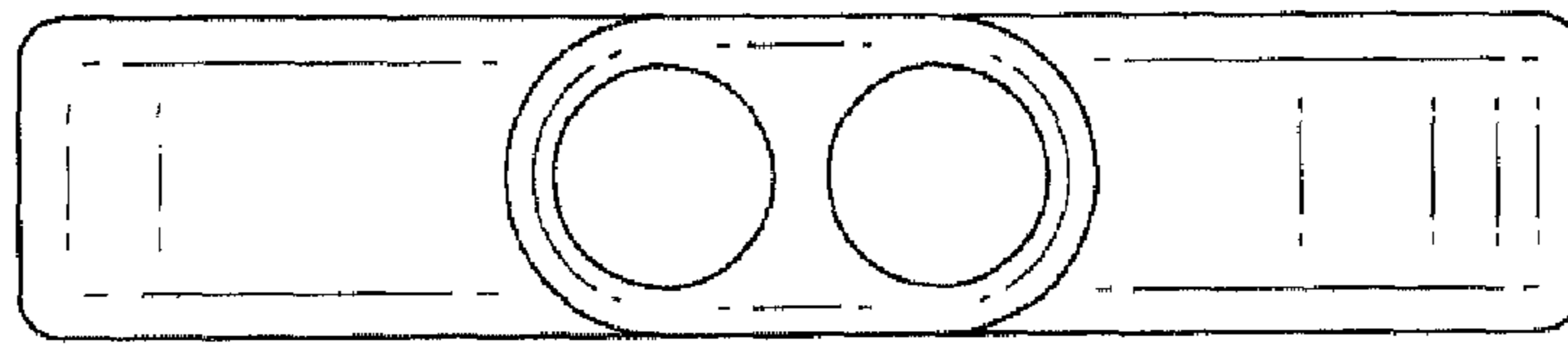
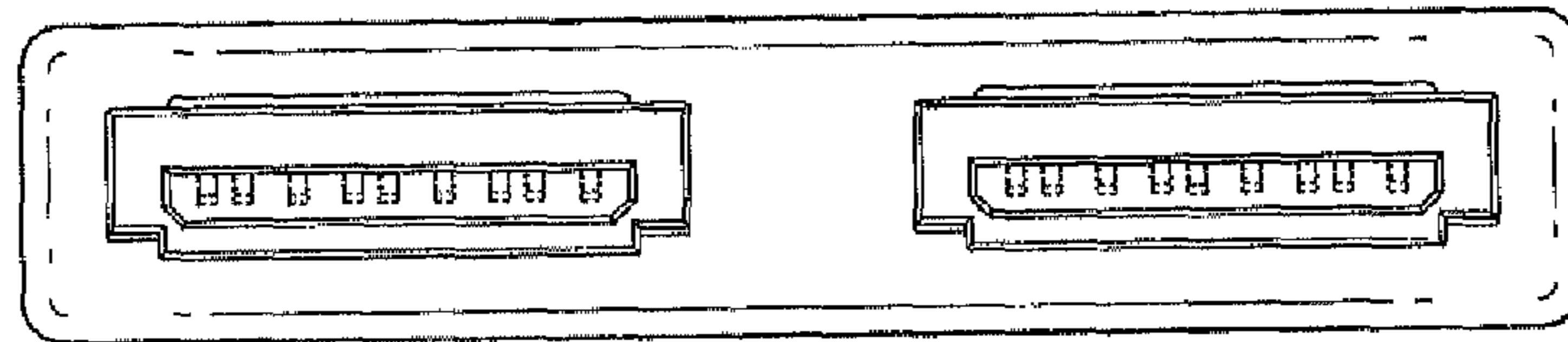


Fig. 5



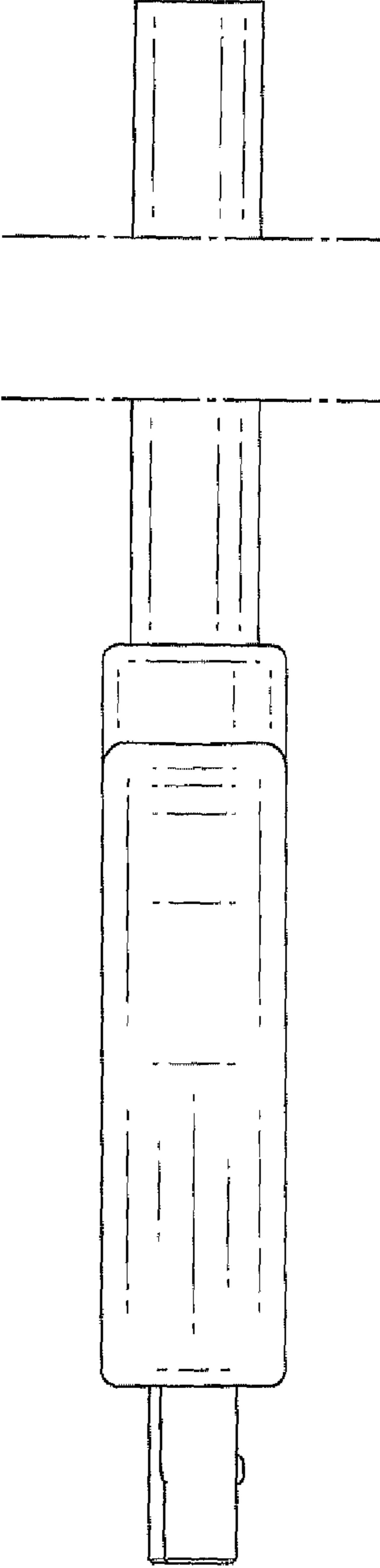


Fig. 7