

US00D675990S

(12) **United States Design Patent**
Sculler

(10) **Patent No.:** **US D675,990 S**
(45) **Date of Patent:** **** Feb. 12, 2013**

(54) **AUDIO VIDEO CABLE CONNECTOR**
(75) **Inventor:** **Steven J. Sculler**, Morganville, NJ (US)
(73) **Assignee:** **Bell'O International Corp.**,
Morganville, NJ (US)
(**) **Term:** **14 Years**
(21) **Appl. No.:** **29/398,394**
(22) **Filed:** **Jul. 29, 2011**

D543,156 S 5/2007 Suckle
D553,567 S 10/2007 Kawanobe
D558,145 S 12/2007 Stavoe et al.
D562,252 S 2/2008 Henderson
D563,899 S 3/2008 Goetz et al.
7,429,197 B2 9/2008 Weis et al.
D578,076 S 10/2008 Henderson
D580,861 S 11/2008 Amidon
D586,293 S 2/2009 Fujino
D586,750 S 2/2009 Li
D599,742 S 9/2009 Hyneczek et al.
D621,360 S * 8/2010 Kondo D13/147
D621,790 S 8/2010 Victor
D630,592 S 1/2011 Matsuoka

(51) **LOC (9) Cl.** **13-03**
(52) **U.S. Cl.** **D13/147**
(58) **Field of Classification Search** D13/133,
D13/146, 147, 154, 184, 199; 439/79, 248,
439/258, 274, 350, 352, 353, 354, 357, 358,
439/374, 447, 476.1, 594, 598, 607.01, 607.04,
439/607.05, 607.17, 607.25, 607.34, 607.41,
439/607.53, 656, 660, 668, 680, 711, 745,
439/752

* cited by examiner

Primary Examiner — Daniel Bui
(74) *Attorney, Agent, or Firm* — Lerner, David, Littenberg,
Krumholz & Mentlik, LLP

See application file for complete search history.

(57) **CLAIM**
The ornamental design for an audio video cable connector, as
shown and described.

(56) **References Cited**

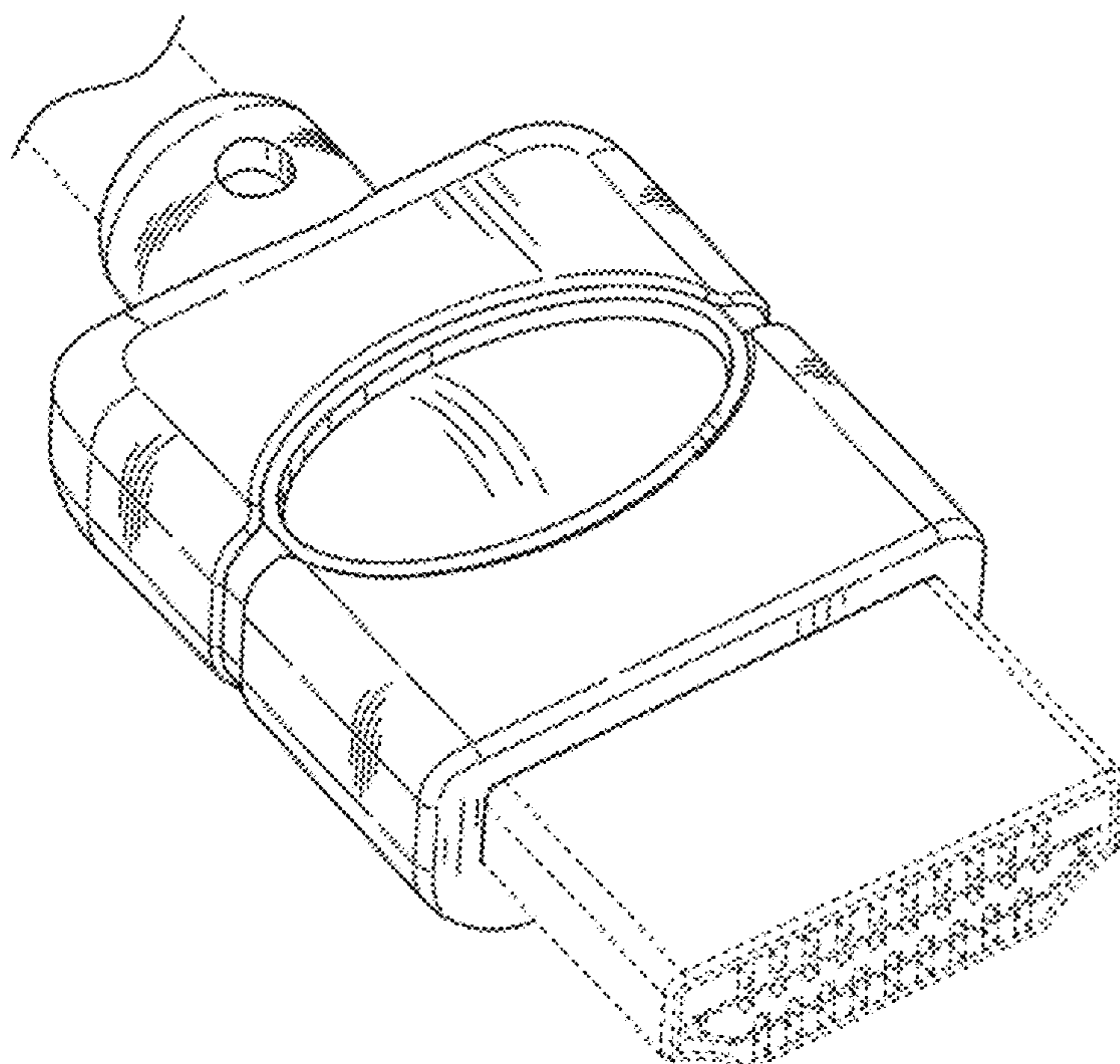
DESCRIPTION

U.S. PATENT DOCUMENTS

D422,560 S * 4/2000 Lok D13/147
D453,320 S * 2/2002 Sugino D13/147
D470,819 S 2/2003 Sass et al.
D471,156 S 3/2003 Sass et al.
D482,330 S * 11/2003 Suzuki et al. D13/147
D507,540 S 7/2005 Suckle
D507,779 S 7/2005 Mazzullo et al.
D512,381 S 12/2005 Sirichai et al.
D522,463 S 6/2006 Novotney et al.
D531,581 S 11/2006 Wang et al.
D537,780 S 3/2007 Suckle

FIG. 1 is a front perspective view of my design for an audio
video cable connector;
FIG. 2 is a front elevational view thereof;
FIG. 3 is a top plan view thereof;
FIG. 4 is a bottom plan view thereof; and,
FIG. 5 is a left side view thereof (the right side is identical
thereto).
The broken line portion of the figure drawings is included for
the purpose of illustrating environment and forms no part of
the claimed design.

1 Claim, 2 Drawing Sheets



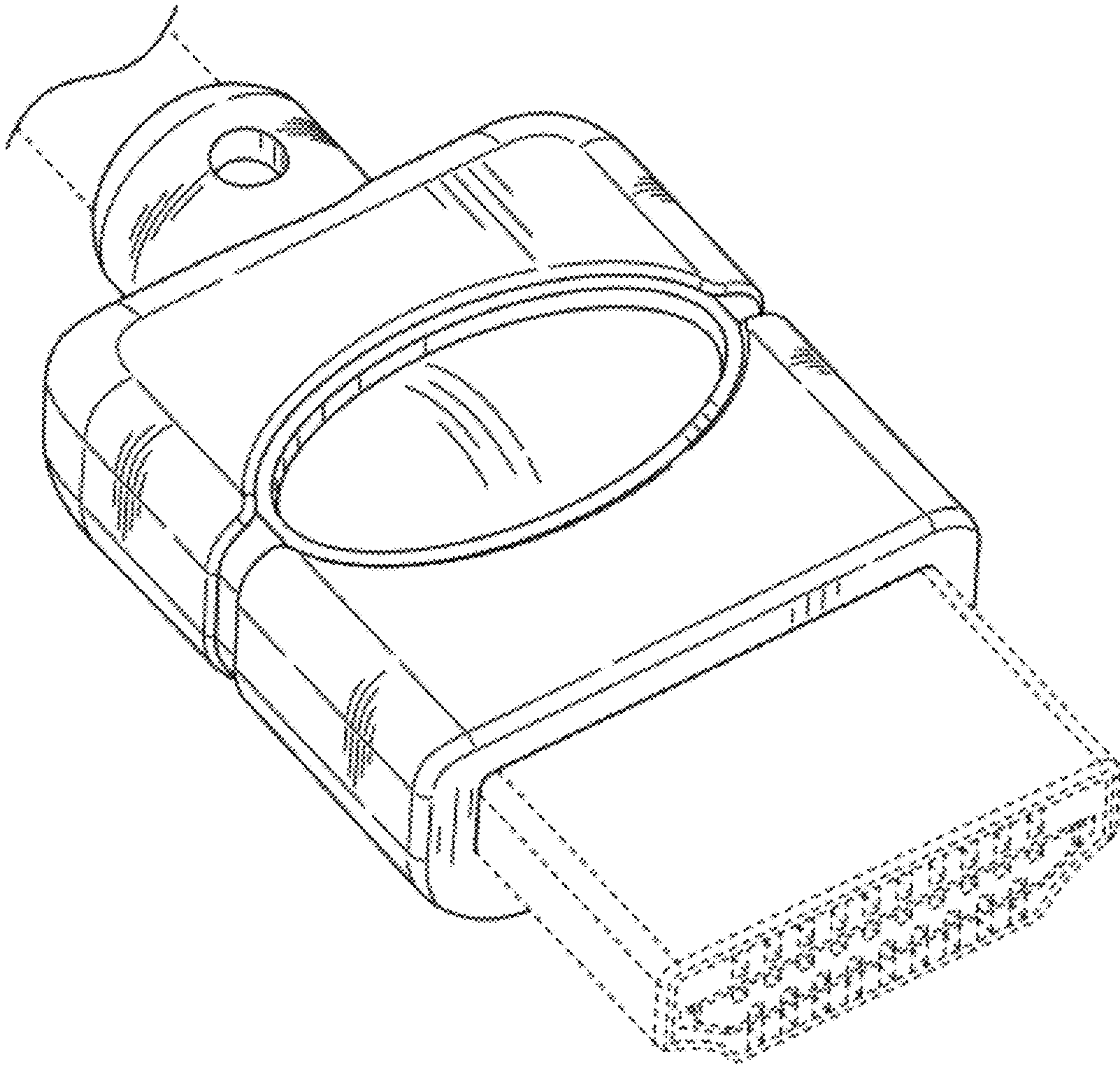


FIG. 1

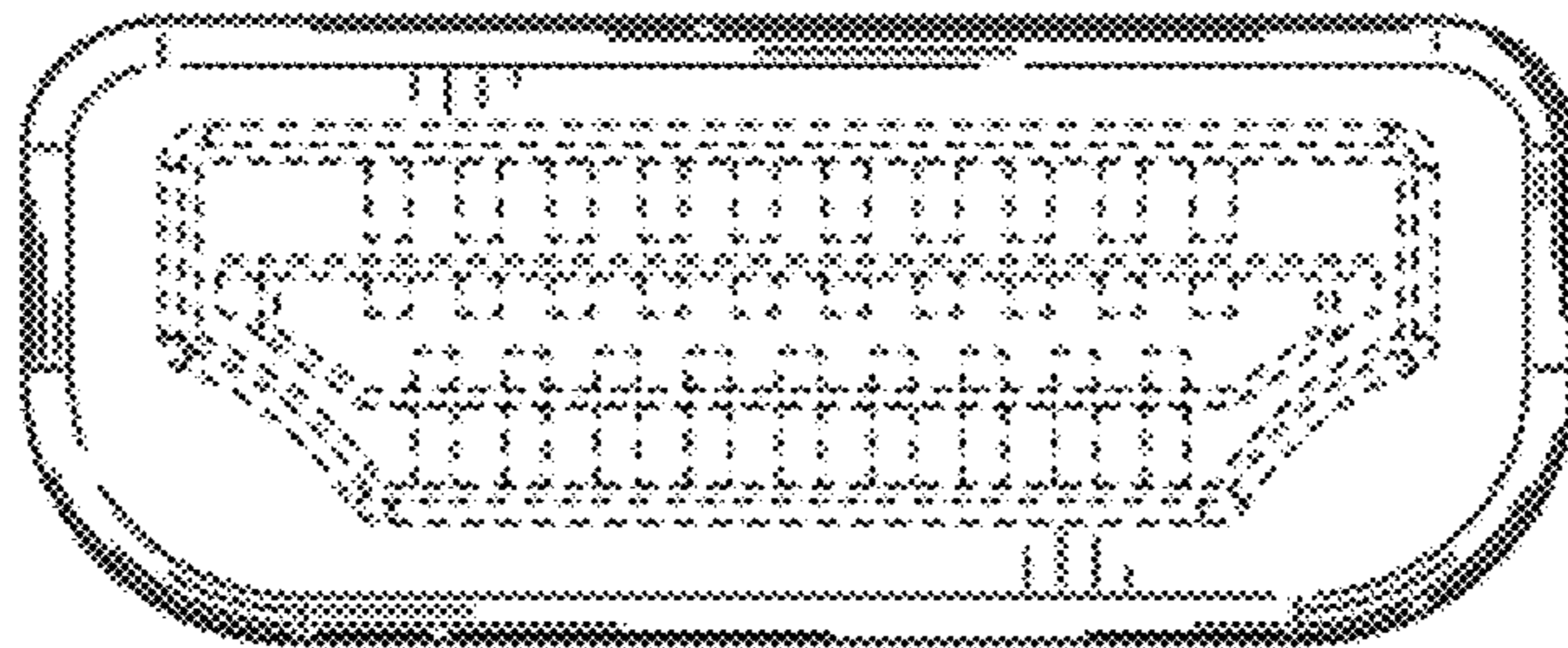


FIG. 2

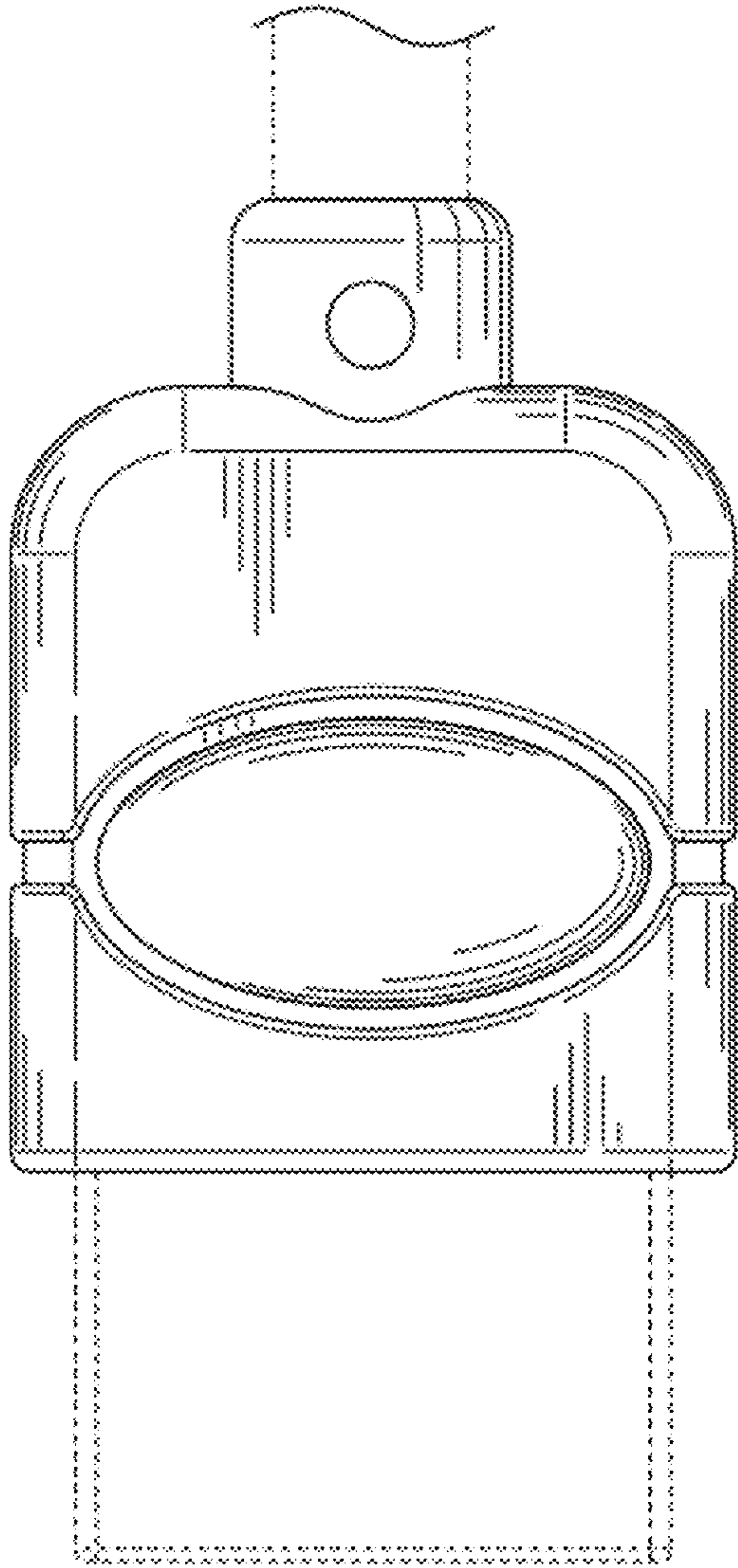


FIG. 3

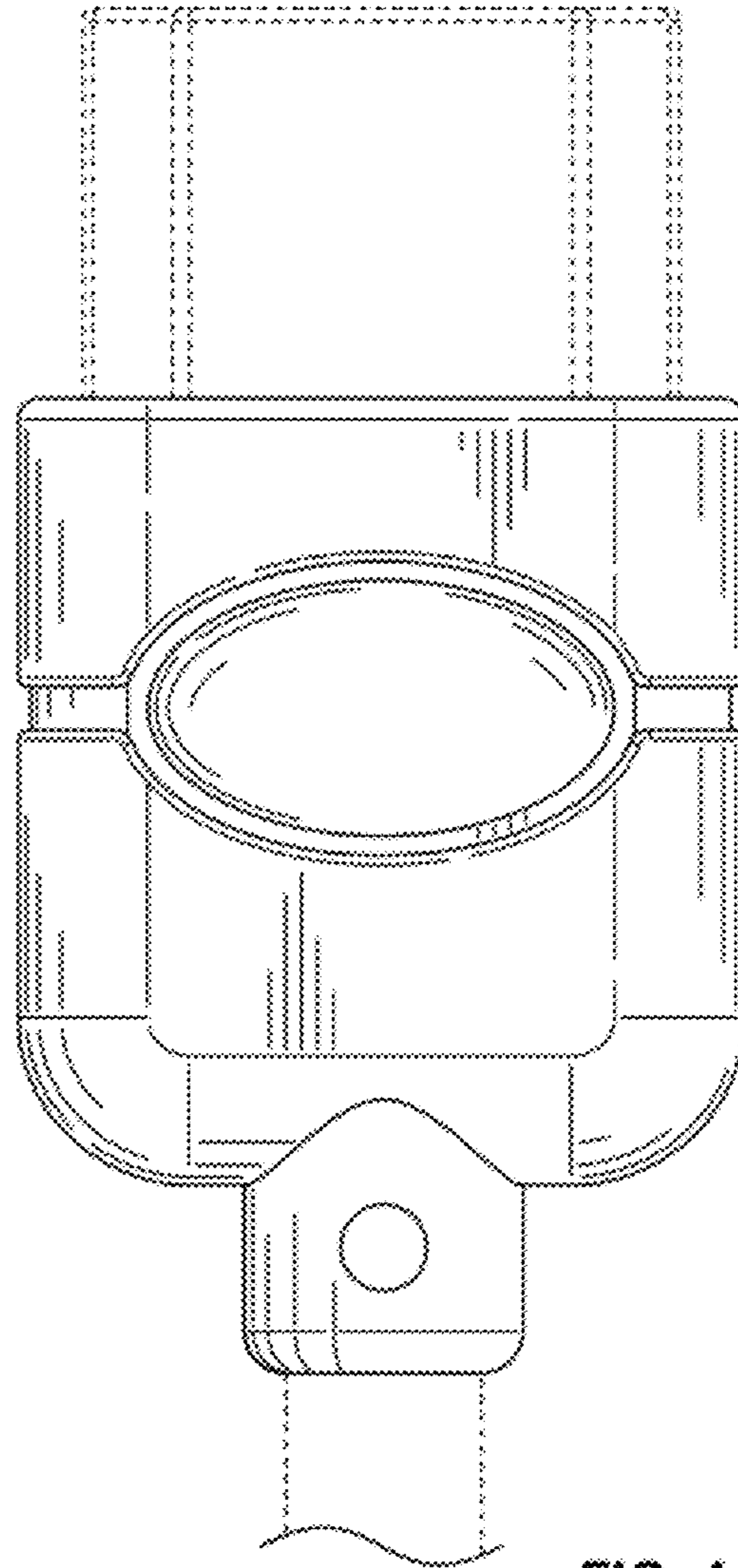


FIG. 4

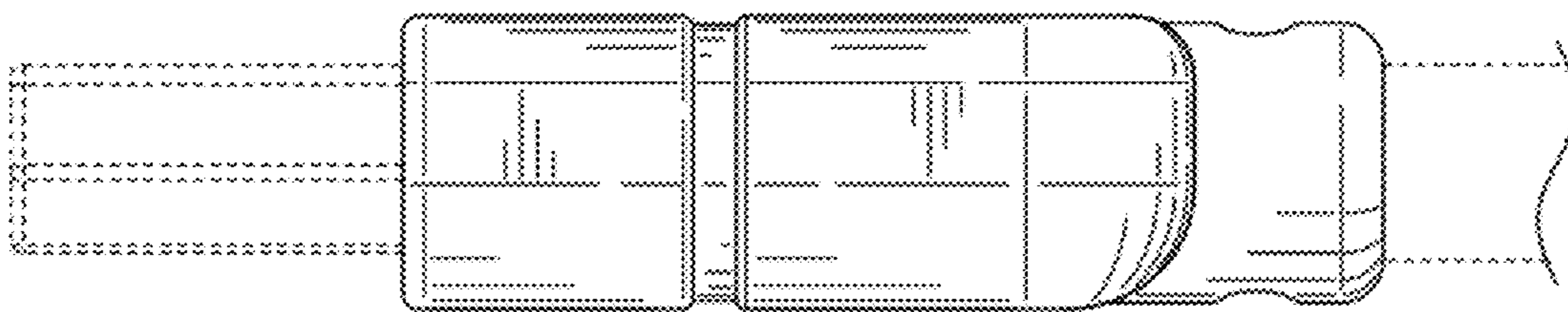


FIG. 5