



US00D675988S

(12) **United States Design Patent**
Levy et al.

(10) **Patent No.:** **US D675,988 S**

(45) **Date of Patent:** **** Feb. 12, 2013**

(54) **RETRACTABLE CAR CHARGER**

(75) Inventors: **Gordon Levy**, Golden, CO (US); **Ming Shan**, Thornton, CO (US); **David L. Martin**, Highlands Ranch, CO (US)

(73) Assignee: **Navajo Manufacturing Company, Inc.**, Denver, CO (US)

(**) Term: **14 Years**

(21) Appl. No.: **29/424,047**

(22) Filed: **Jun. 7, 2012**

(51) **LOC (9) Cl.** **13-03**

(52) **U.S. Cl.** **D13/144**

(58) **Field of Classification Search** D13/144,
D13/107, 108, 110, 118, 119, 133, 154, 184,
D13/199; D14/155, 362, 388; 320/65, 107,
320/108, 109; 363/13, 146; 439/300, 620,
439/638, 668, 669, 675, 825

See application file for complete search history.

(56) **References Cited**

U.S. PATENT DOCUMENTS

4,701,741	A	10/1987	Bert	
D330,885	S	11/1992	Tattari	
D398,287	S *	9/1998	Luminosu	D13/144
6,641,405	B2	11/2003	Chou	
D526,962	S *	8/2006	Krieger et al.	D13/144
D546,287	S *	7/2007	Tanishita	D13/144
D551,170	S *	9/2007	Hussaini et al.	D13/144
D559,776	S *	1/2008	Kim	D13/108

D563,873	S *	3/2008	Chen et al.	D13/144
D574,833	S	8/2008	Hussaini	
D585,825	S *	2/2009	Ji	D13/108
D617,278	S	6/2010	Tang	
D622,218	S *	8/2010	Tseng et al.	D13/144
D627,720	S *	11/2010	DuMelle et al.	D13/110
D636,725	S *	4/2011	Levy et al.	D13/108
D637,557	S *	5/2011	Wegener et al.	D13/144
D641,695	S	7/2011	Wegener	

* cited by examiner

Primary Examiner — Derrick Holland

(74) *Attorney, Agent, or Firm* — Jacobson Holman PLLC

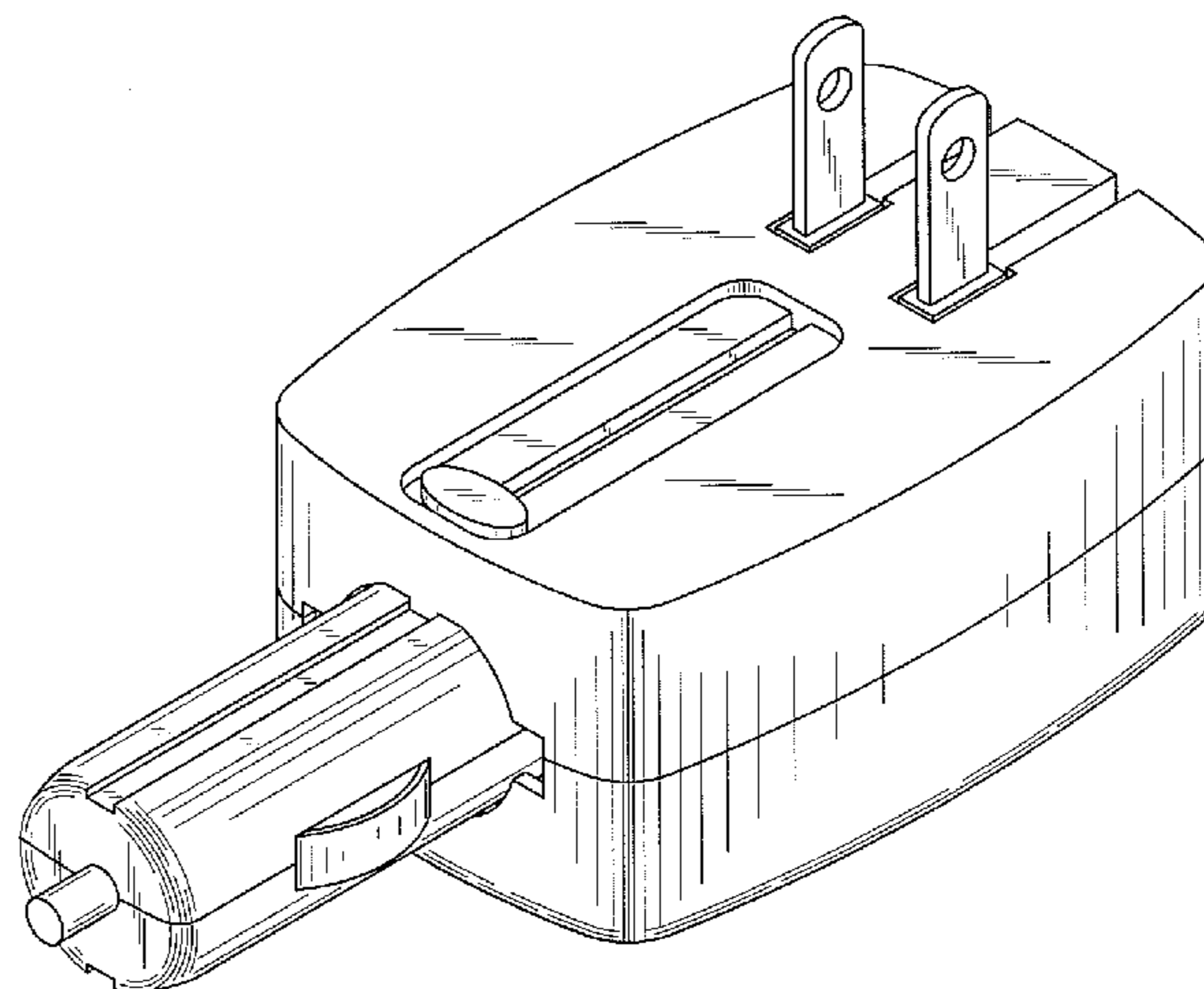
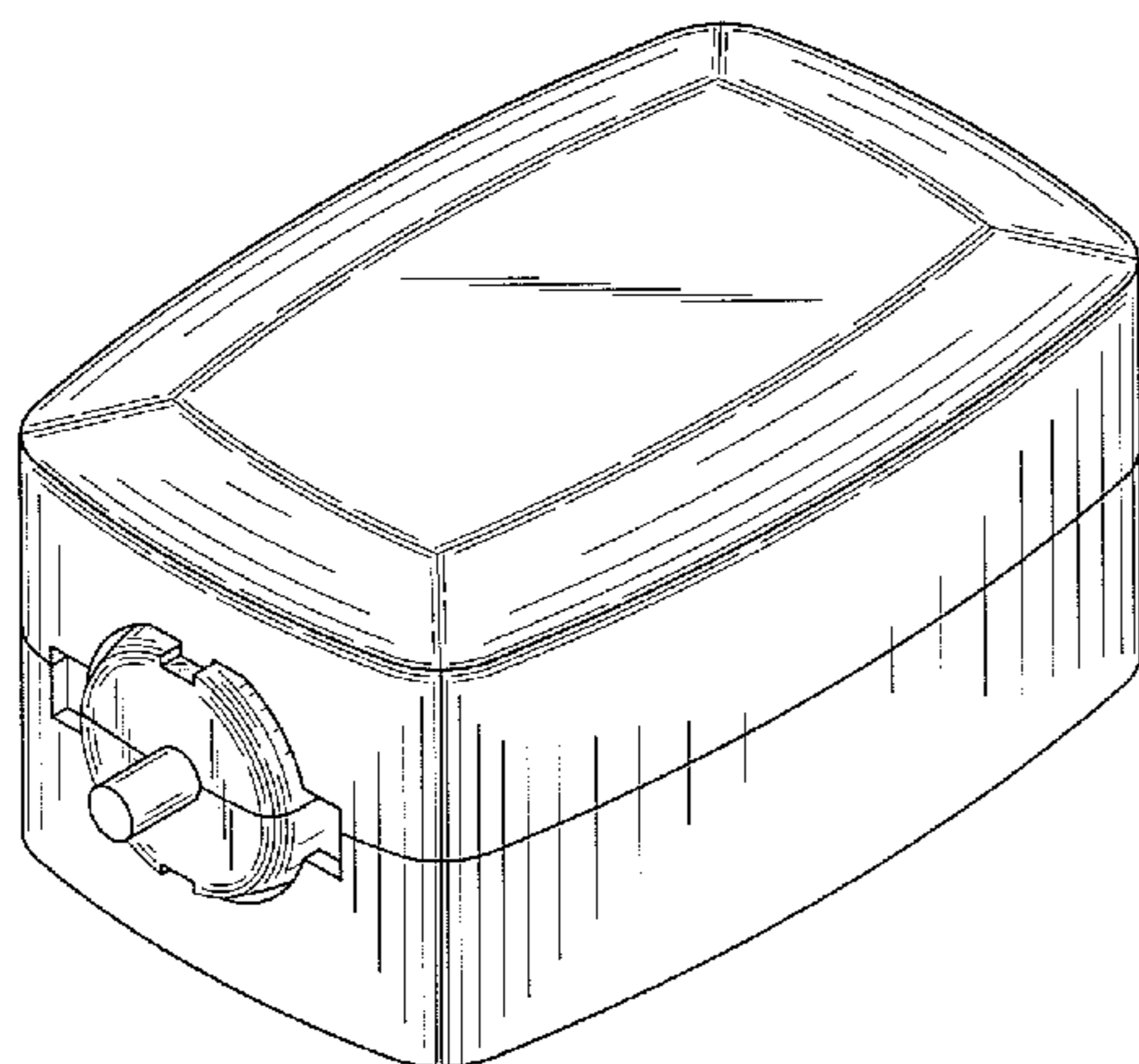
(57) **CLAIM**

The ornamental design for a retractable car charger, as shown and described.

DESCRIPTION

FIG. 1 is a front perspective view showing our new design for a retractable car charger,
FIG. 2 is a front view thereof,
FIG. 3 is a rear view thereof,
FIG. 4 is a top view thereof,
FIG. 5 is a bottom view thereof,
FIG. 6 is a left side view thereof,
FIG. 7 is a right side view thereof; and,
FIG. 8 is a bottom perspective view in a position of use with the charging portion and plug prongs extended.
The broken lines shown represent unclaimed subject matter and form no part of the claimed design.

1 Claim, 5 Drawing Sheets



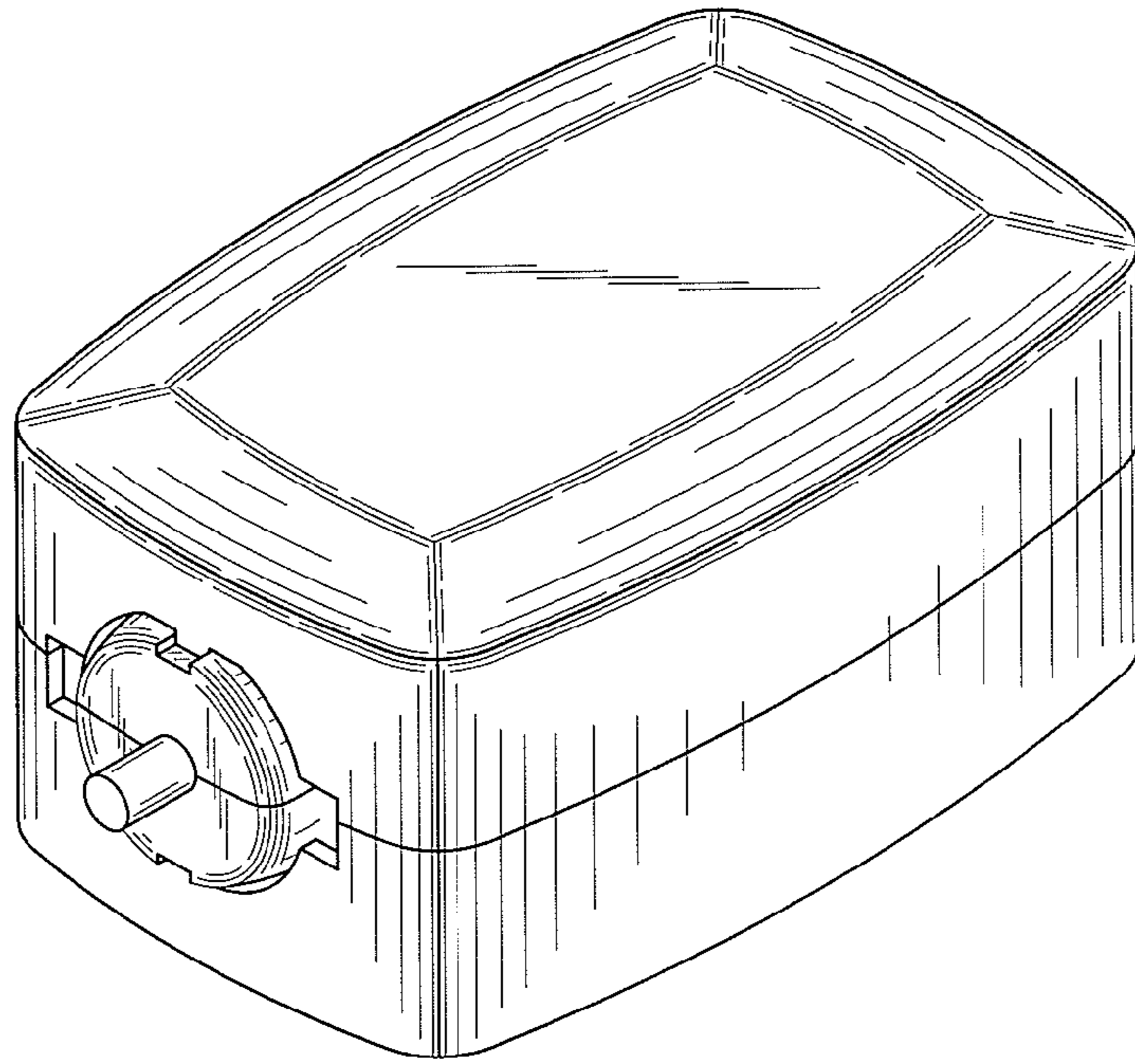


FIG. 1

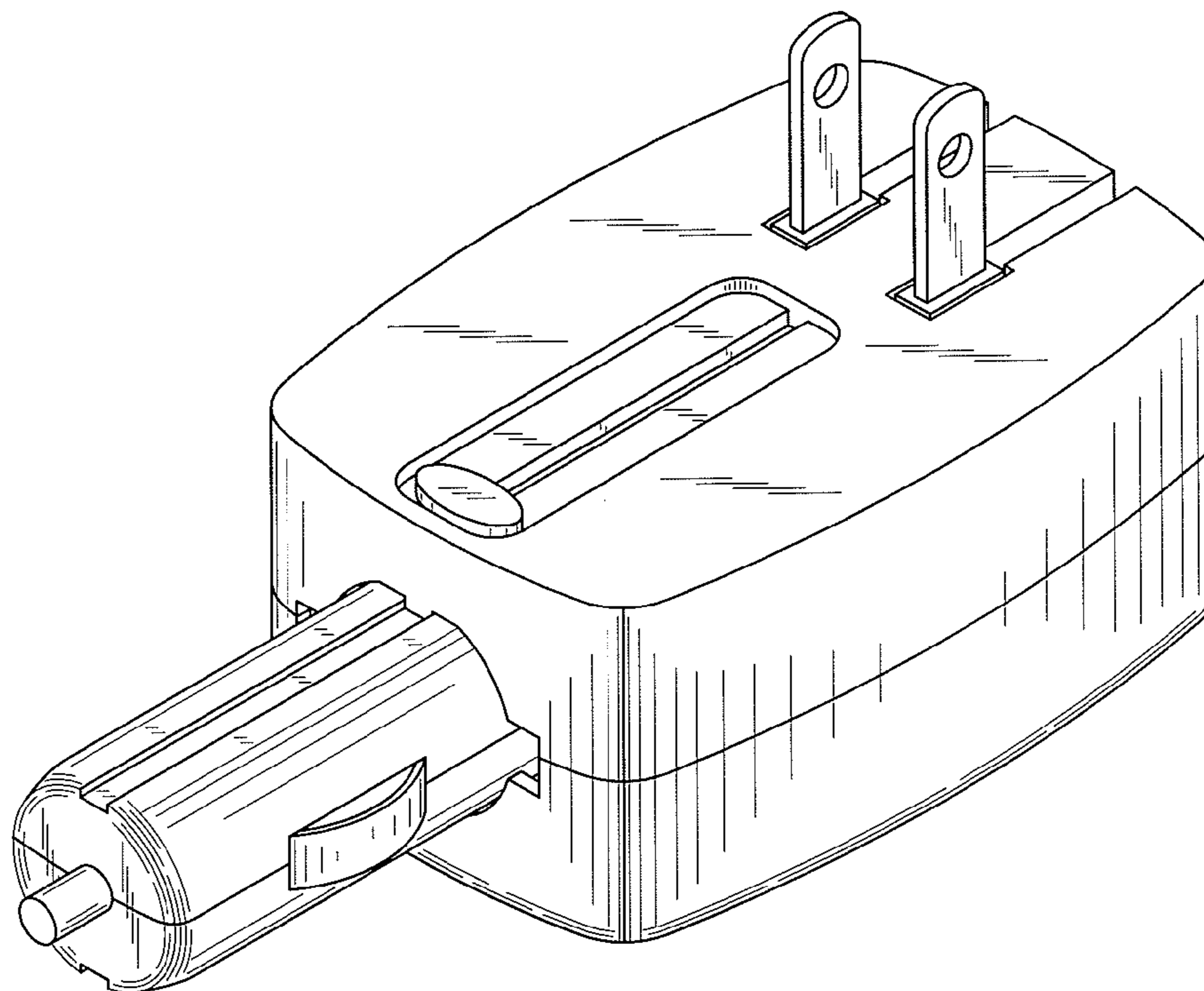


FIG. 8

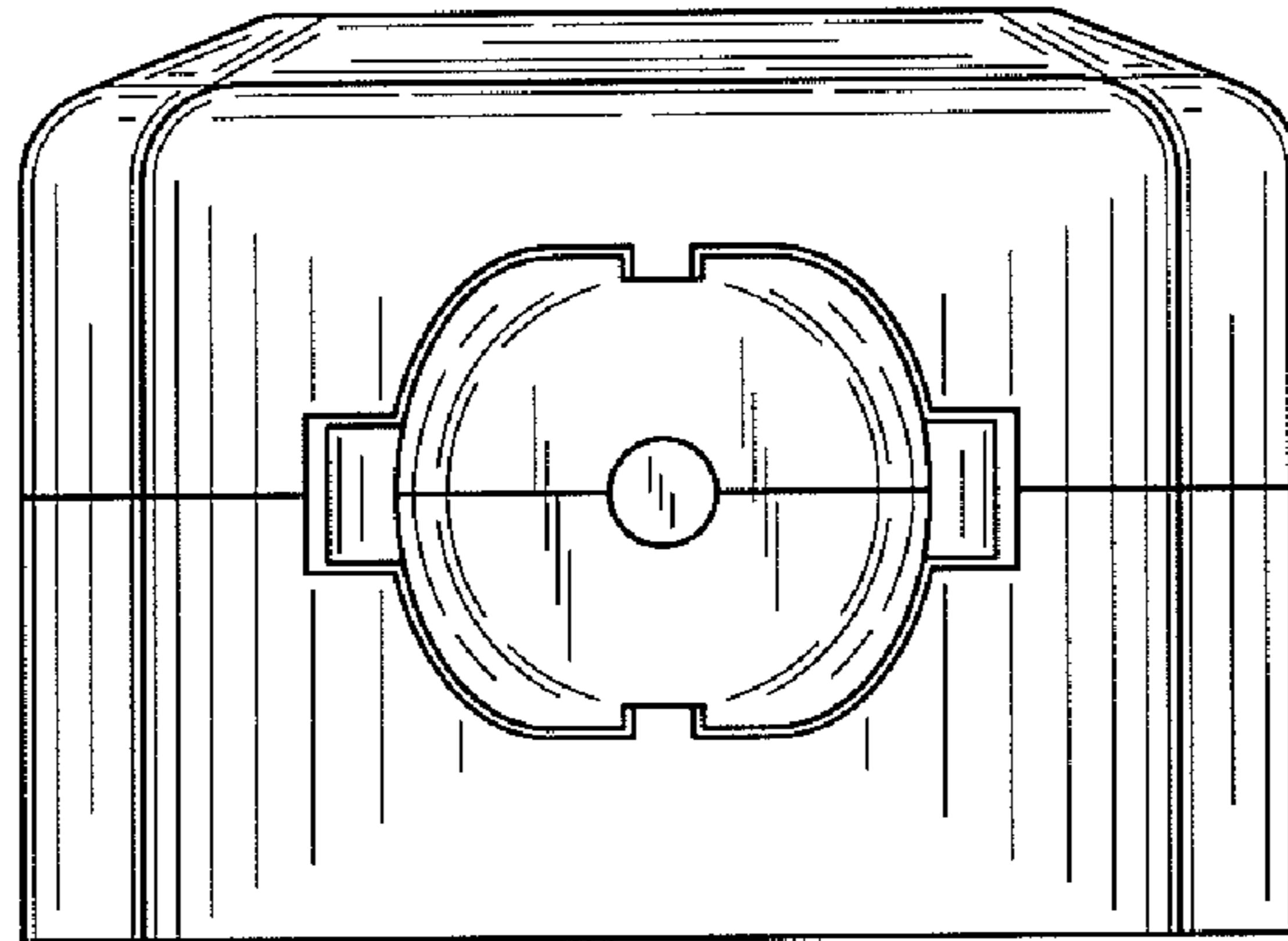


FIG. 2

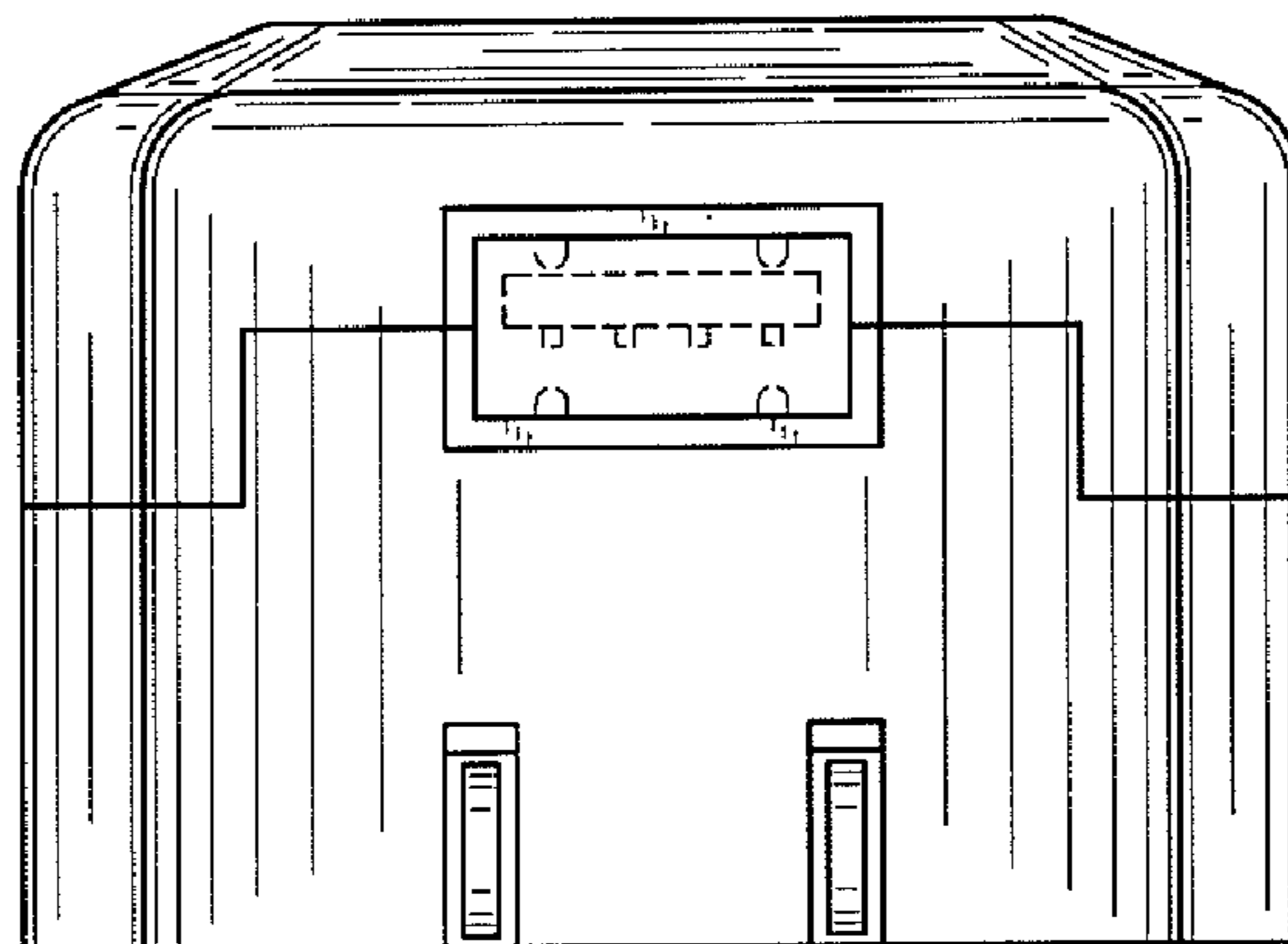


FIG. 3

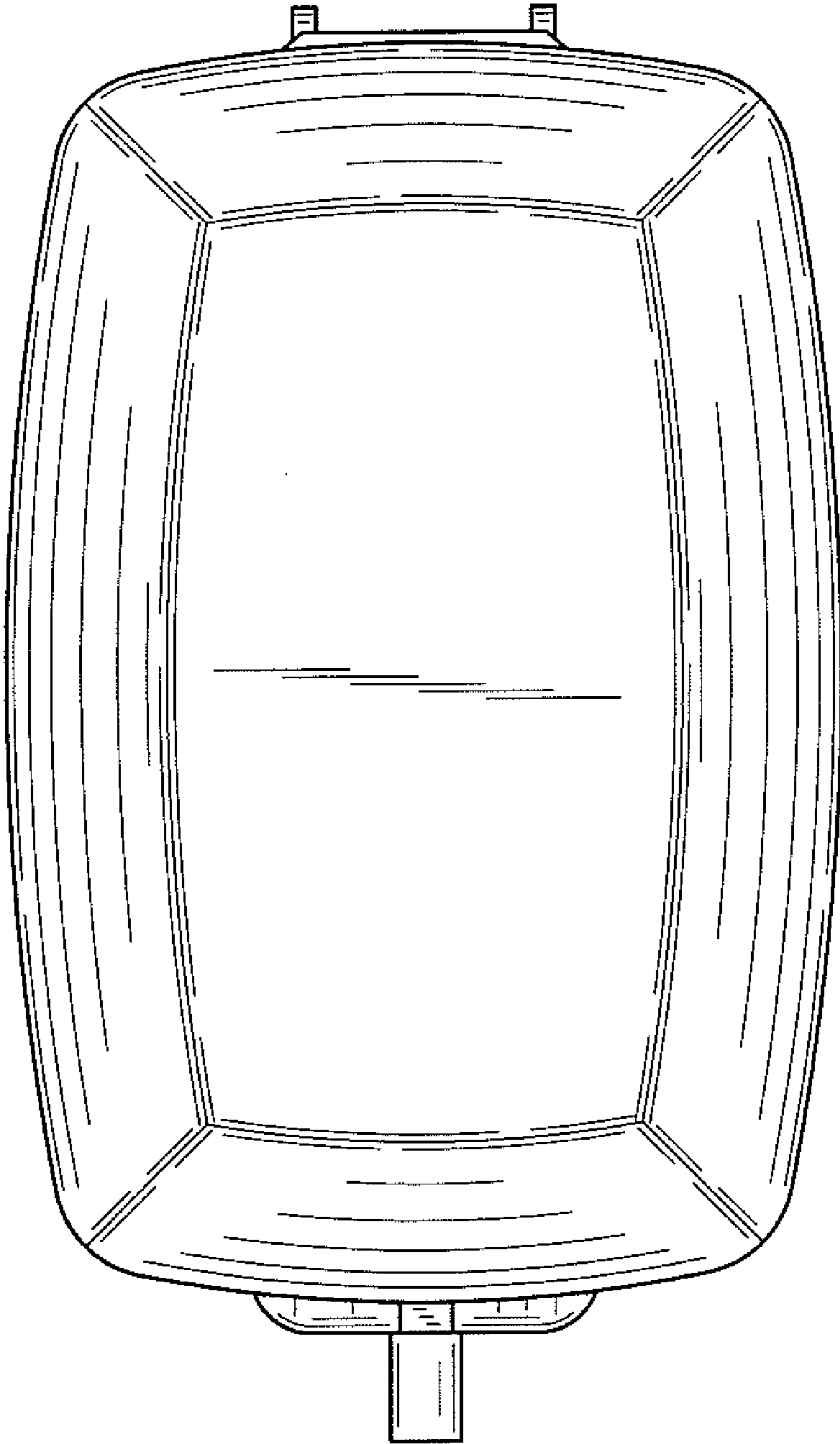


FIG. 4

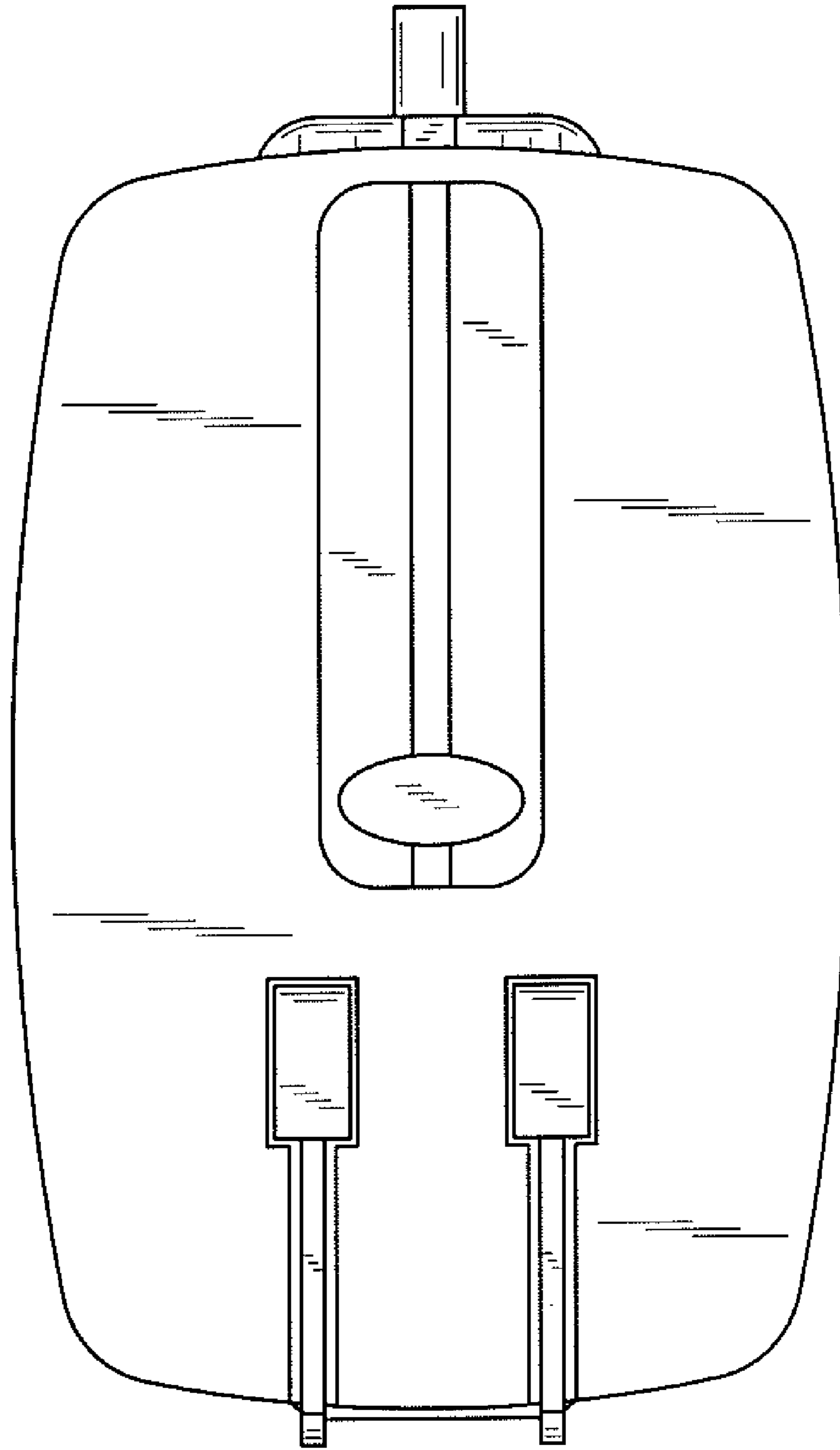


FIG. 5

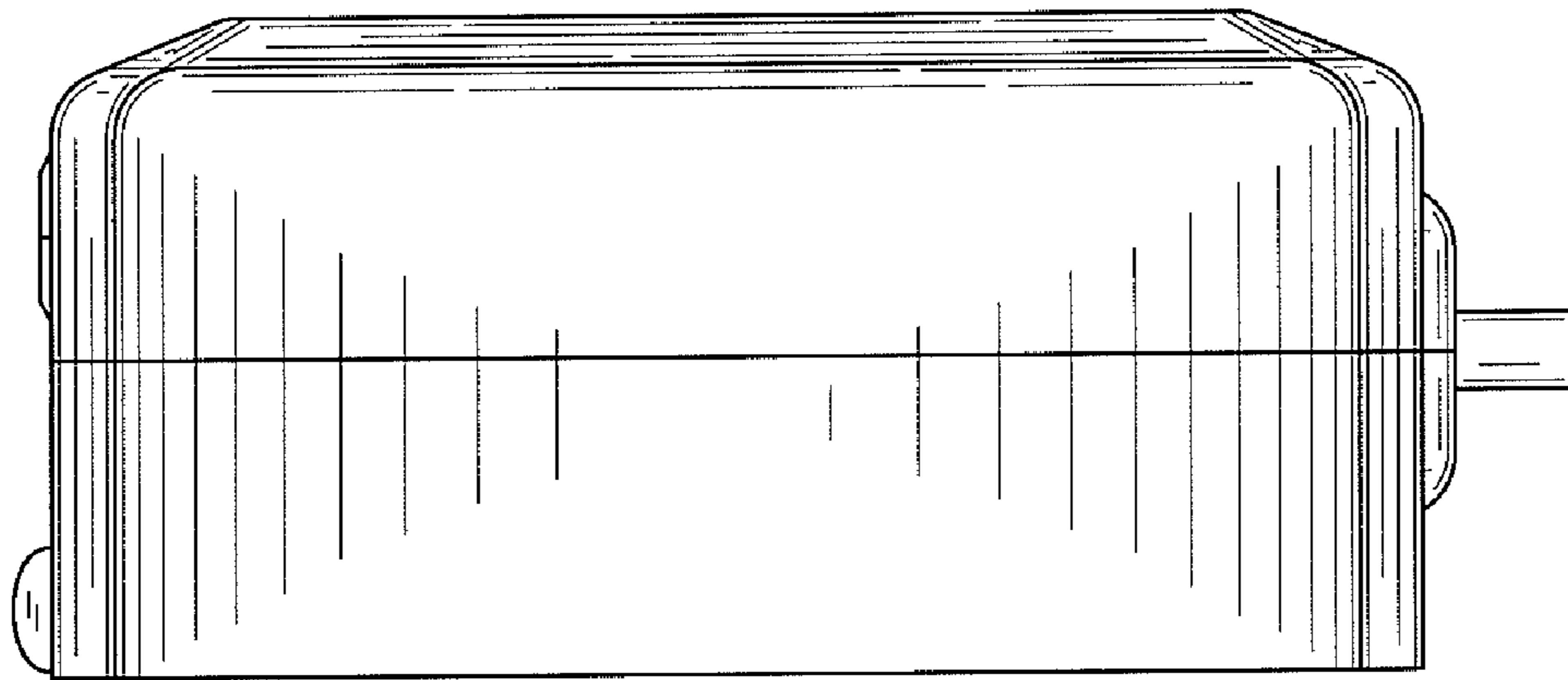


FIG. 6

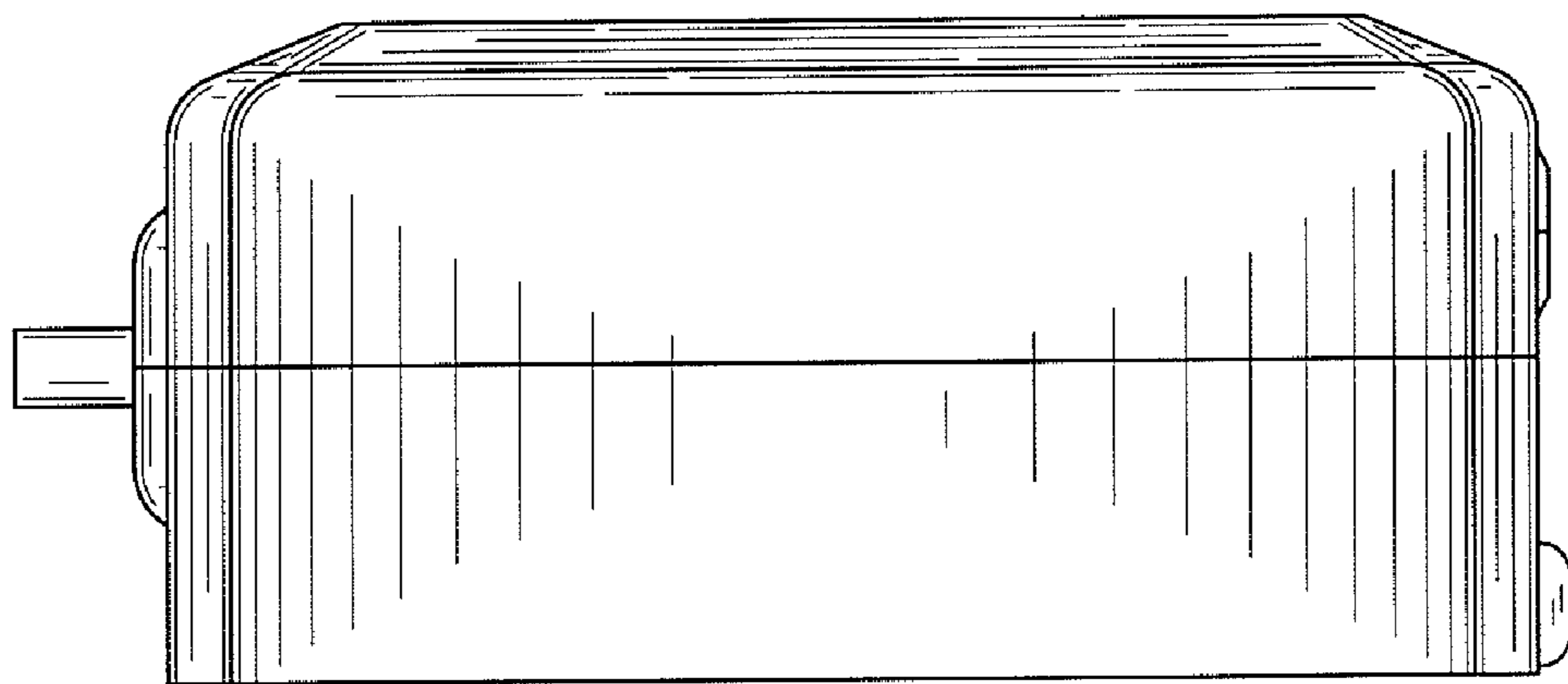


FIG. 7