



US00D675985S

(12) **United States Design Patent**
Izen et al.

(10) **Patent No.:** **US D675,985 S**

(45) **Date of Patent:** **** Feb. 12, 2013**

(54) **CABLE CONNECTOR**

(75) Inventors: **Mark S. Izen**, Chestnut Hill, MA (US);
Craig Small, Framingham, MA (US)

(73) Assignee: **First Act, Inc.**, Boston, MA (US)

(**) Term: **14 Years**

(21) Appl. No.: **29/410,568**

(22) Filed: **Jan. 9, 2012**

(51) **LOC (9) Cl.** **13-03**

(52) **U.S. Cl.** **D13/133**

(58) **Field of Classification Search** D13/133,
D13/154, 184, 199; 439/180, 246, 252, 278,
439/374, 378, 380, 381, 527, 529, 606, 668-669,
439/675-676, 680, 750-751, 892, 894
See application file for complete search history.

(56) **References Cited**

U.S. PATENT DOCUMENTS

D243,698 S * 3/1977 Gietzen D13/133
D508,466 S * 8/2005 Dobler D13/154

D577,678 S * 9/2008 Ball et al. D13/133
D592,596 S * 5/2009 Kolton D13/133
D645,022 S * 9/2011 Lee et al. D14/205

* cited by examiner

Primary Examiner — Daniel Bui

(74) *Attorney, Agent, or Firm* — Lando & Anastasi, LLP

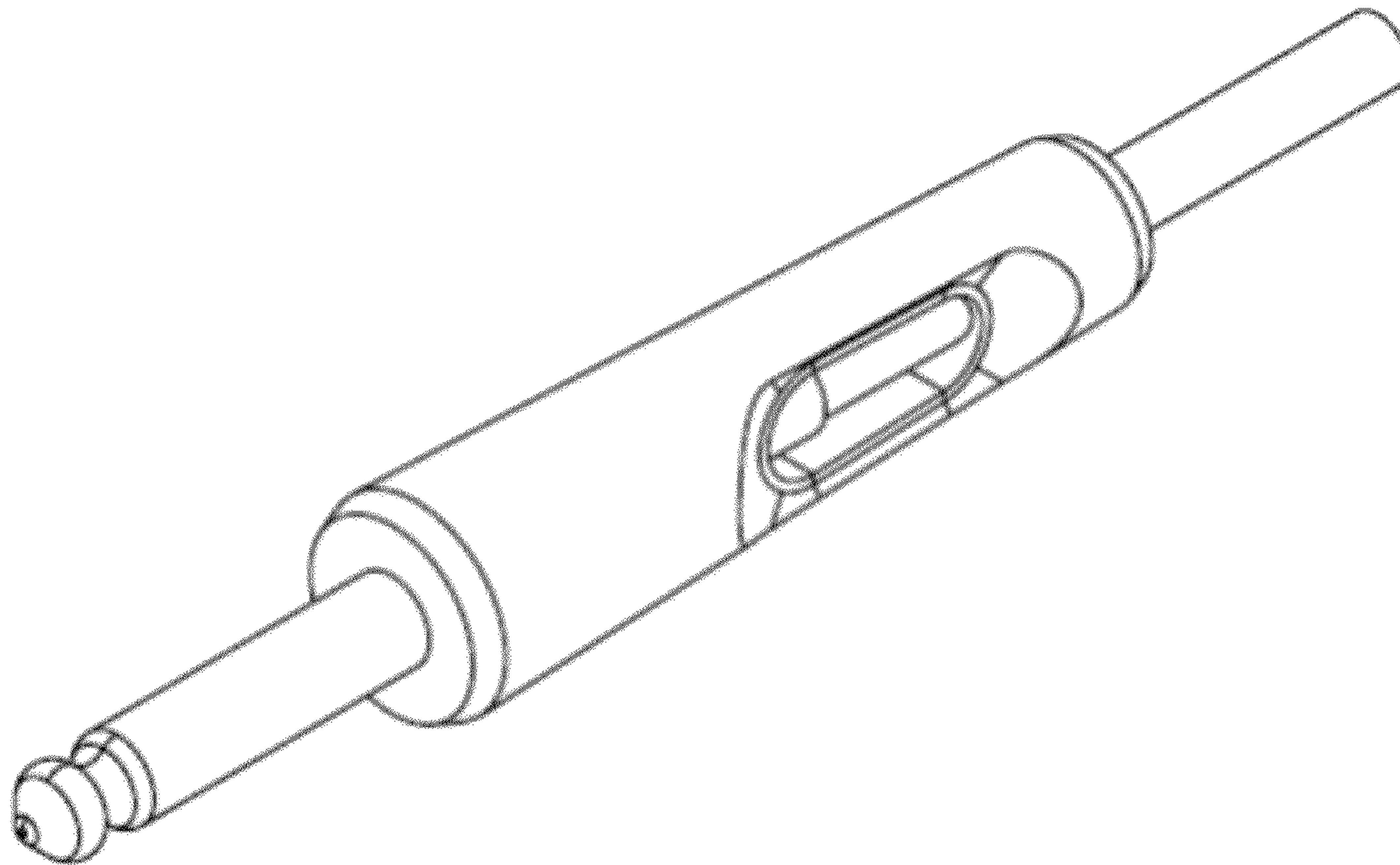
(57) **CLAIM**

The ornamental design for a cable connector, as shown and described.

DESCRIPTION

FIG. 1 is a top perspective view of a cable connector showing our new design;
FIG. 2 is a top plan view thereof;
FIG. 3 is a bottom plan view thereof;
FIG. 4 is left side elevation view thereof;
FIG. 5 is right side elevation view thereof;
FIG. 6 is rear elevation view thereof; and,
FIG. 7 is front elevation view thereof.

1 Claim, 7 Drawing Sheets



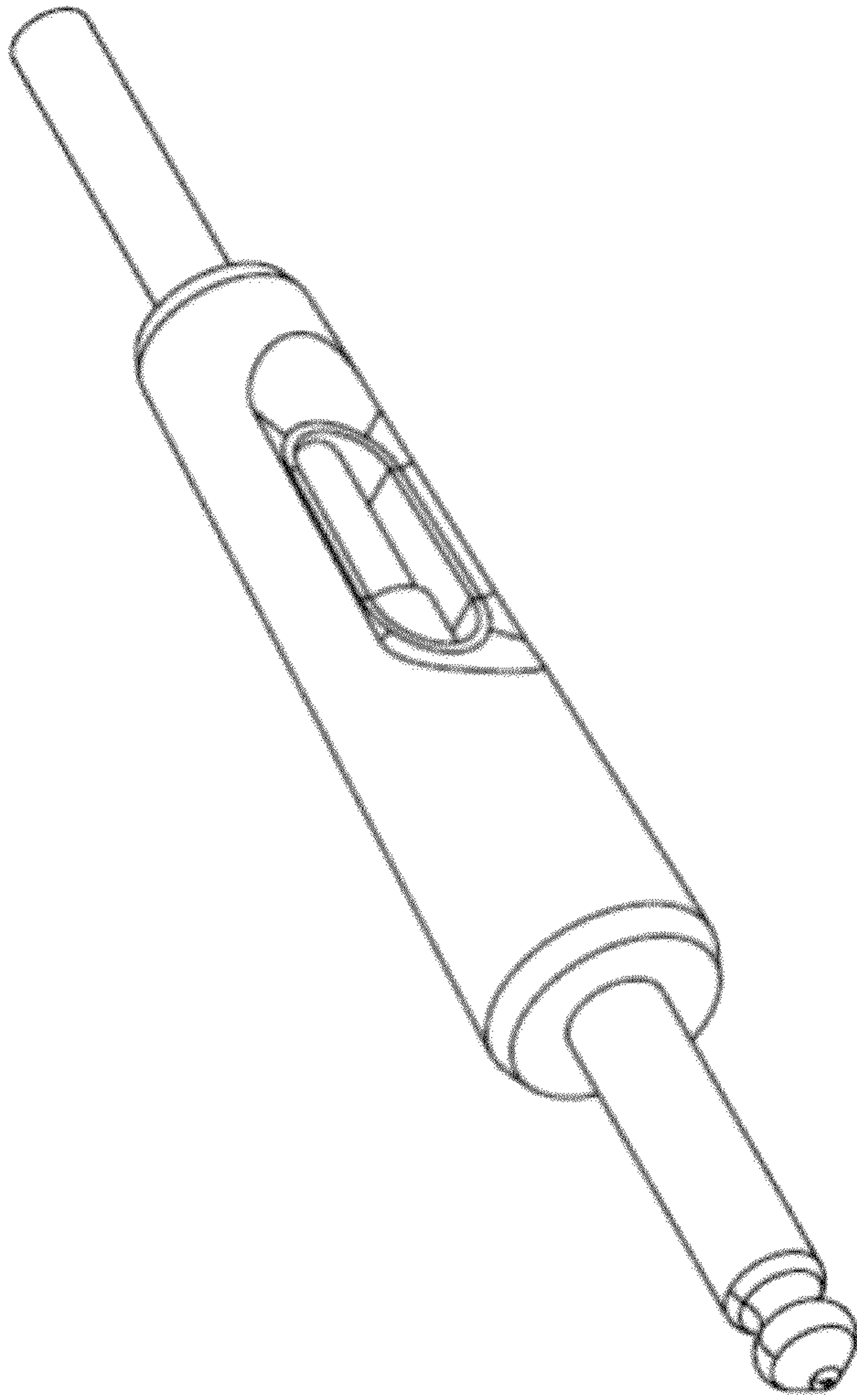


Fig. 1

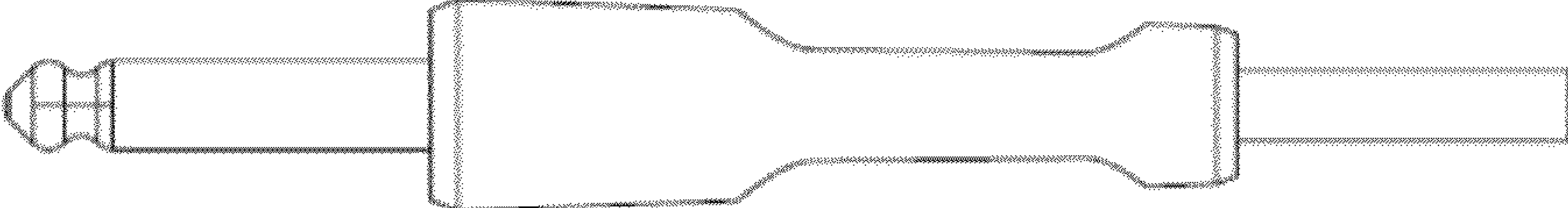


Fig. 2

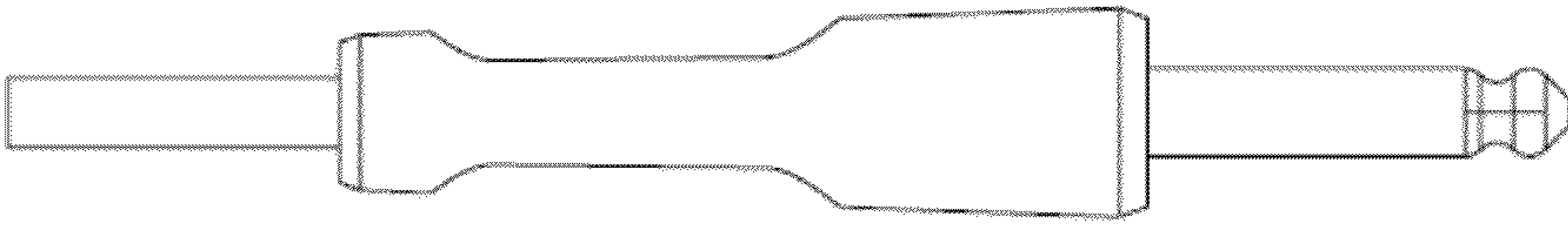


Fig. 3

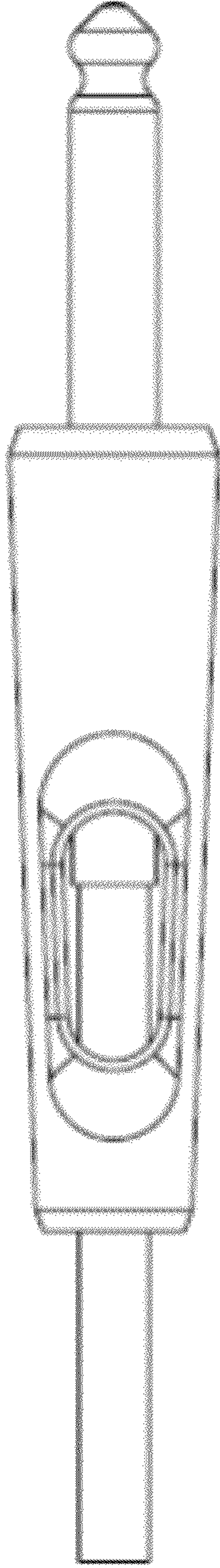


Fig. 4

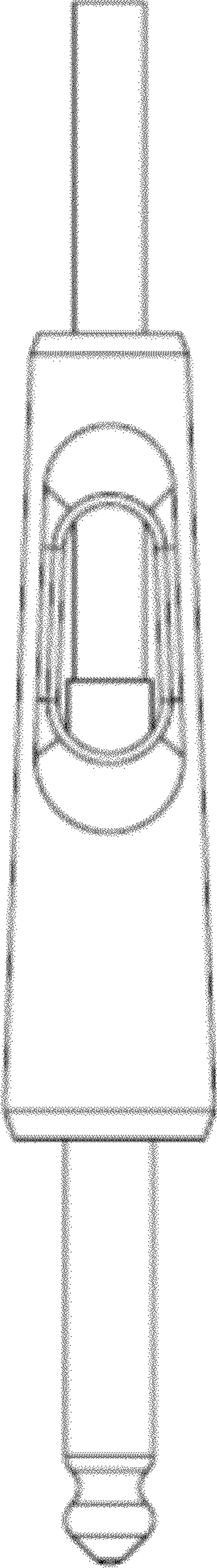


Fig. 5

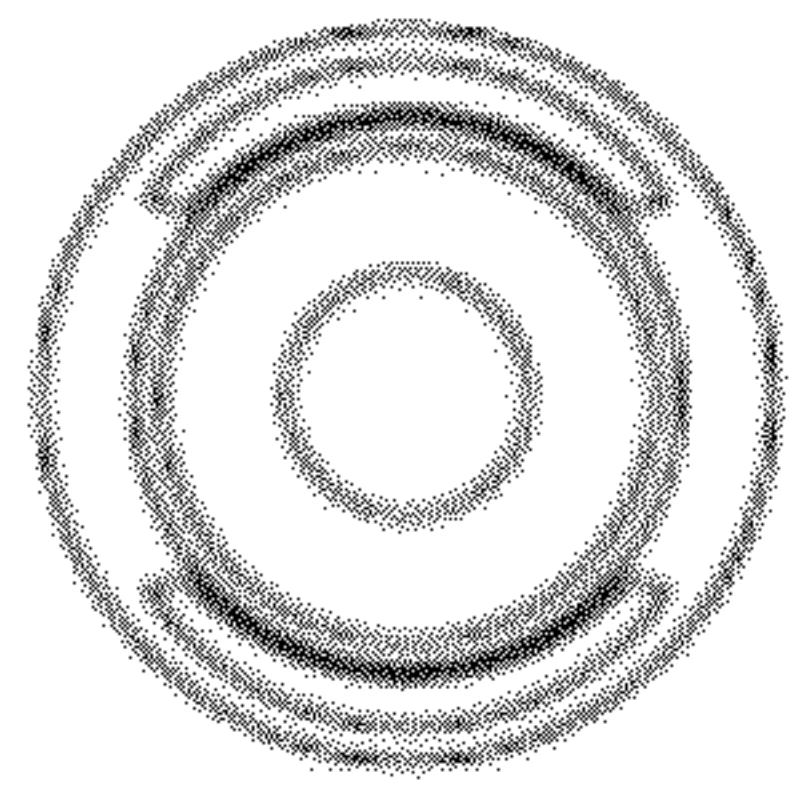


Fig. 6

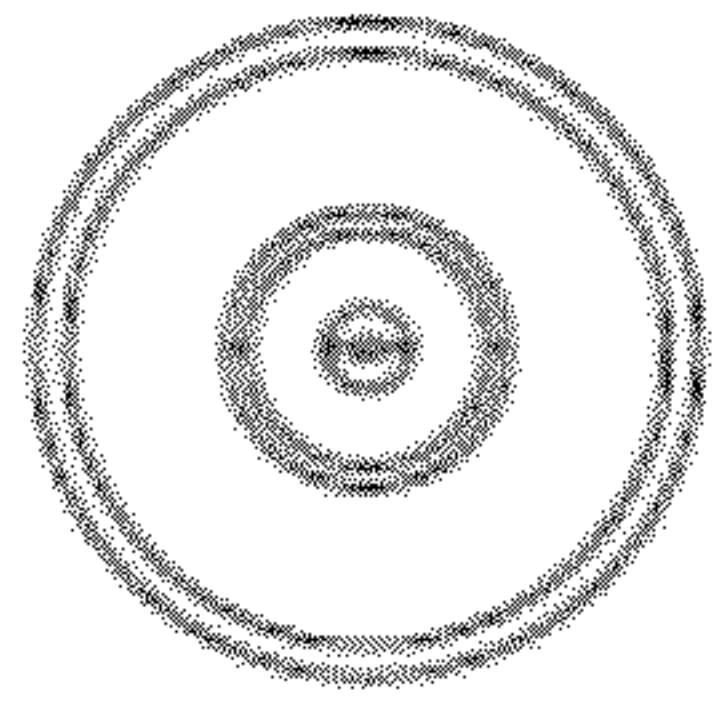


Fig. 7