

US00D675984S

(12) **United States Design Patent**  
**Shokrzadeh et al.**

(10) **Patent No.:** **US D675,984 S**

(45) **Date of Patent:** **\*\* Feb. 12, 2013**

(54) **FRAME FOR A GENERATOR**

(75) Inventors: **Saeid Shokrzadeh**, Kearney, NE (US);  
**Frank Hromadka**, Kearney, NE (US)

(73) Assignee: **Pramac America LLC**, Medley, FL  
(US)

(\*\*) Term: **14 Years**

(21) Appl. No.: **29/387,018**

(22) Filed: **Mar. 8, 2011**

(51) **LOC (9) Cl.** ..... **13-01**

(52) **U.S. Cl.** ..... **D13/122**

(58) **Field of Classification Search** ..... D13/116,  
D13/112, 114, 122, 184, 199; D6/329, 462;  
D15/33; D34/12, 17, 23, 24, 26; 219/56,  
219/57; 290/1 A, 1 B, 1 R; 307/150, 153;  
310/50, 89, 158, 418; 123/2, 3  
See application file for complete search history.

(56) **References Cited**

U.S. PATENT DOCUMENTS

4,503,812	A *	3/1985	Eberhardt	.....	123/2
D418,809	S *	1/2000	Frank	.....	D13/112
D484,565	S *	12/2003	Ariaz	.....	D23/200
D501,182	S *	1/2005	Buck	.....	D13/110
6,935,642	B1 *	8/2005	Craig et al.	.....	280/47.24

7,161,253	B2 *	1/2007	Sodemann et al.	.....	290/1 A
D563,320	S *	3/2008	Buck	.....	D13/116
D570,777	S *	6/2008	Glass et al.	.....	D13/116
D580,860	S *	11/2008	Xi-Ren	.....	D13/122
D595,227	S *	6/2009	Hawkins	.....	D13/116
D596,817	S *	7/2009	Glass et al.	.....	D32/25
D597,944	S *	8/2009	Takamura	.....	D13/116

\* cited by examiner

*Primary Examiner* — Derrick Holland

(74) *Attorney, Agent, or Firm* — Kilpatrick Townsend & Stockton LLP

(57) **CLAIM**

The ornamental design for a frame for a generator, as shown and described.

**DESCRIPTION**

FIG. 1 is a right side elevational view of a frame for a generator showing our new design.

FIG. 2 is a left side elevational view thereof;

FIG. 3 is a front elevational view thereof;

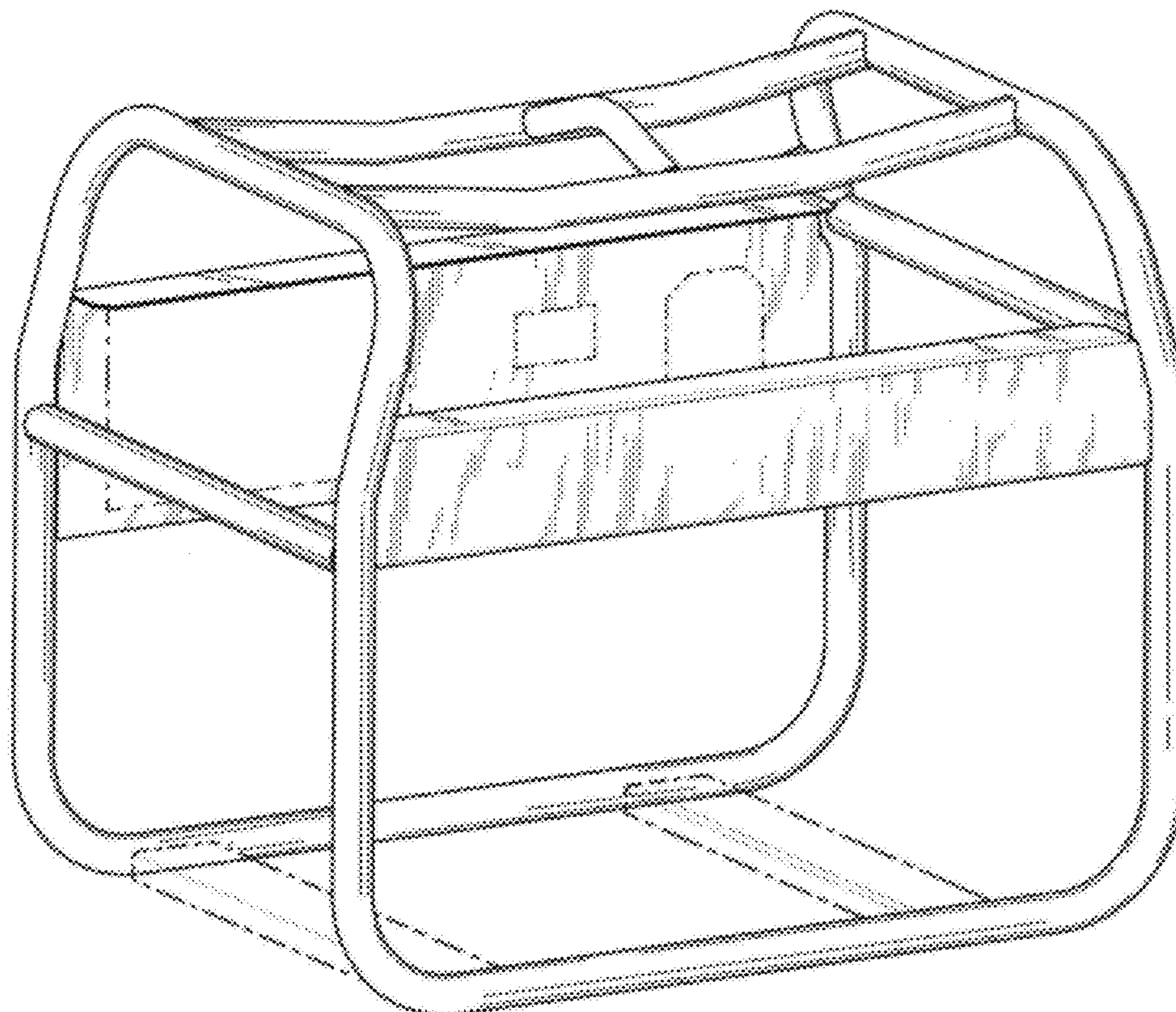
FIG. 4 is a rear elevational view thereof;

FIG. 5 is a top plan view thereof; and,

FIG. 6 is perspective view thereof.

The broken lines shown represent unclaimed subject matter and form no part of the claimed design.

**1 Claim, 6 Drawing Sheets**



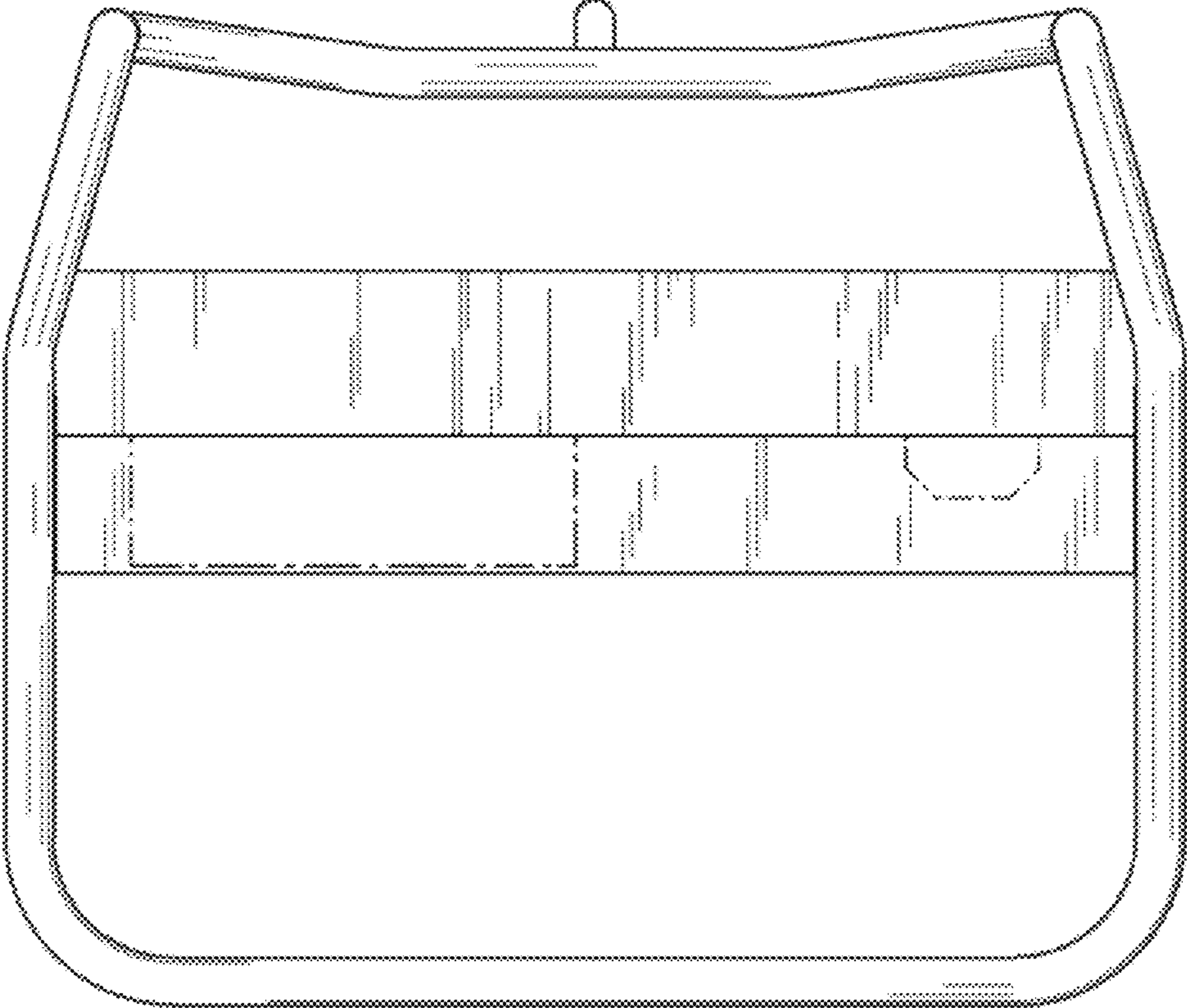


Fig. 1

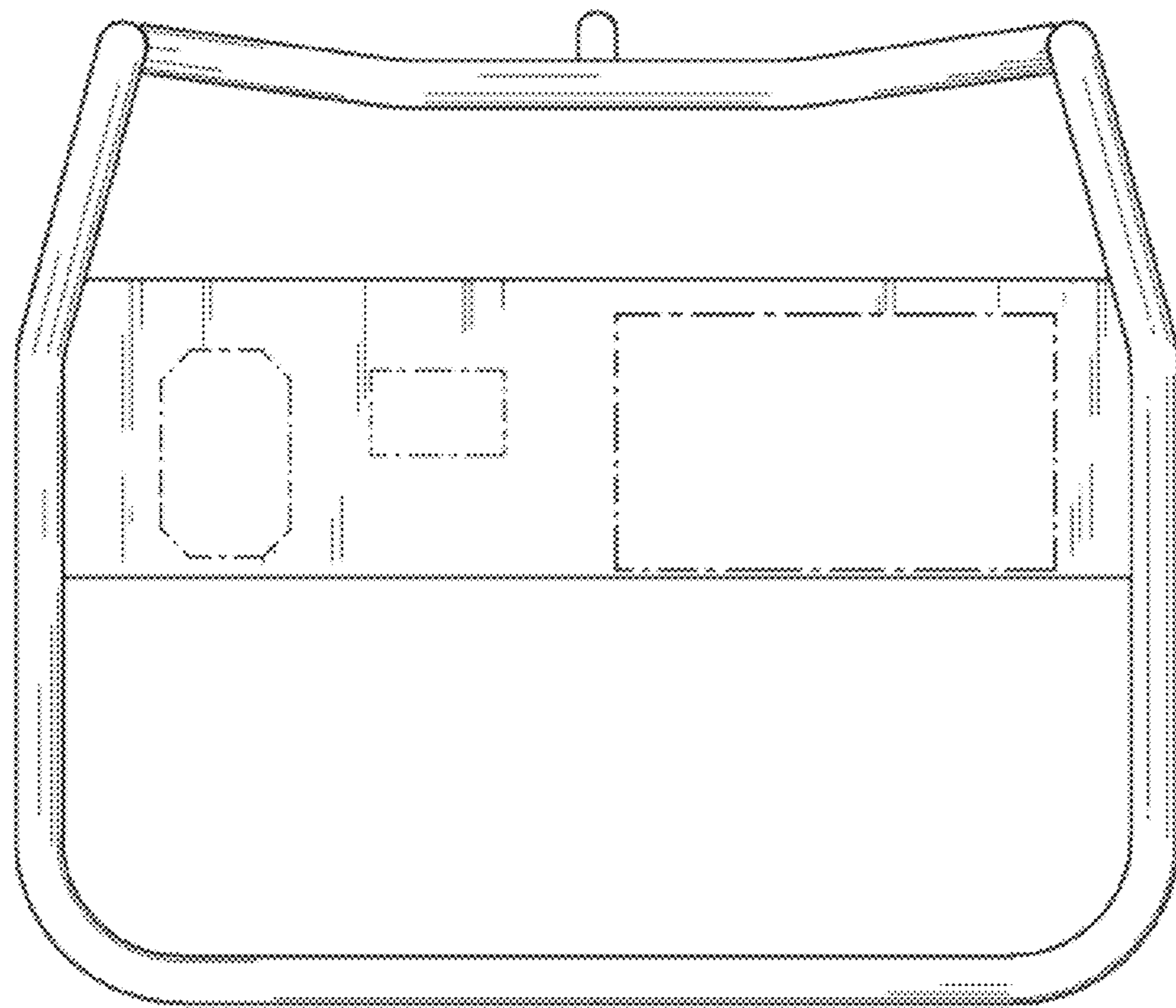


Fig. 2

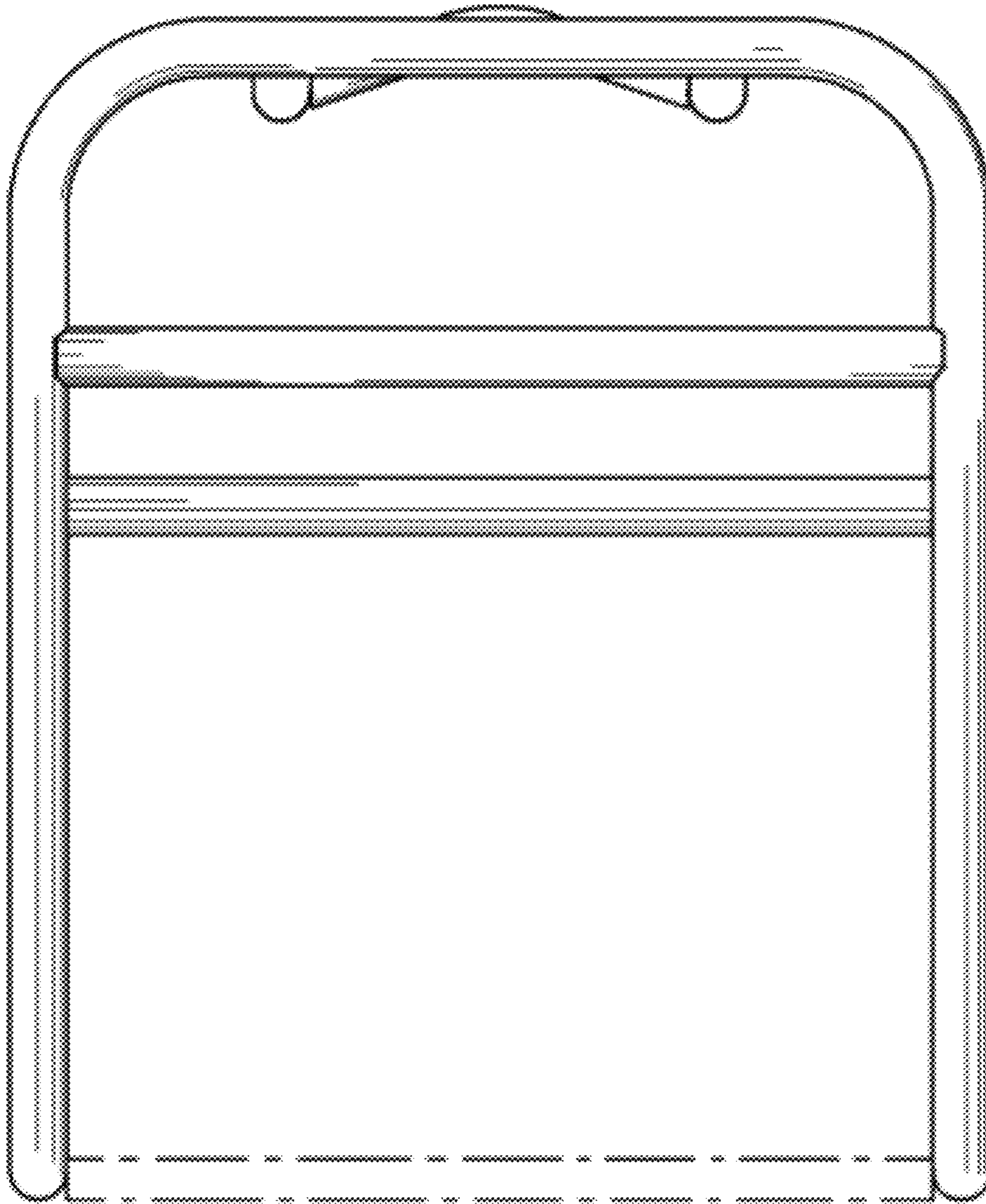


Fig. 3

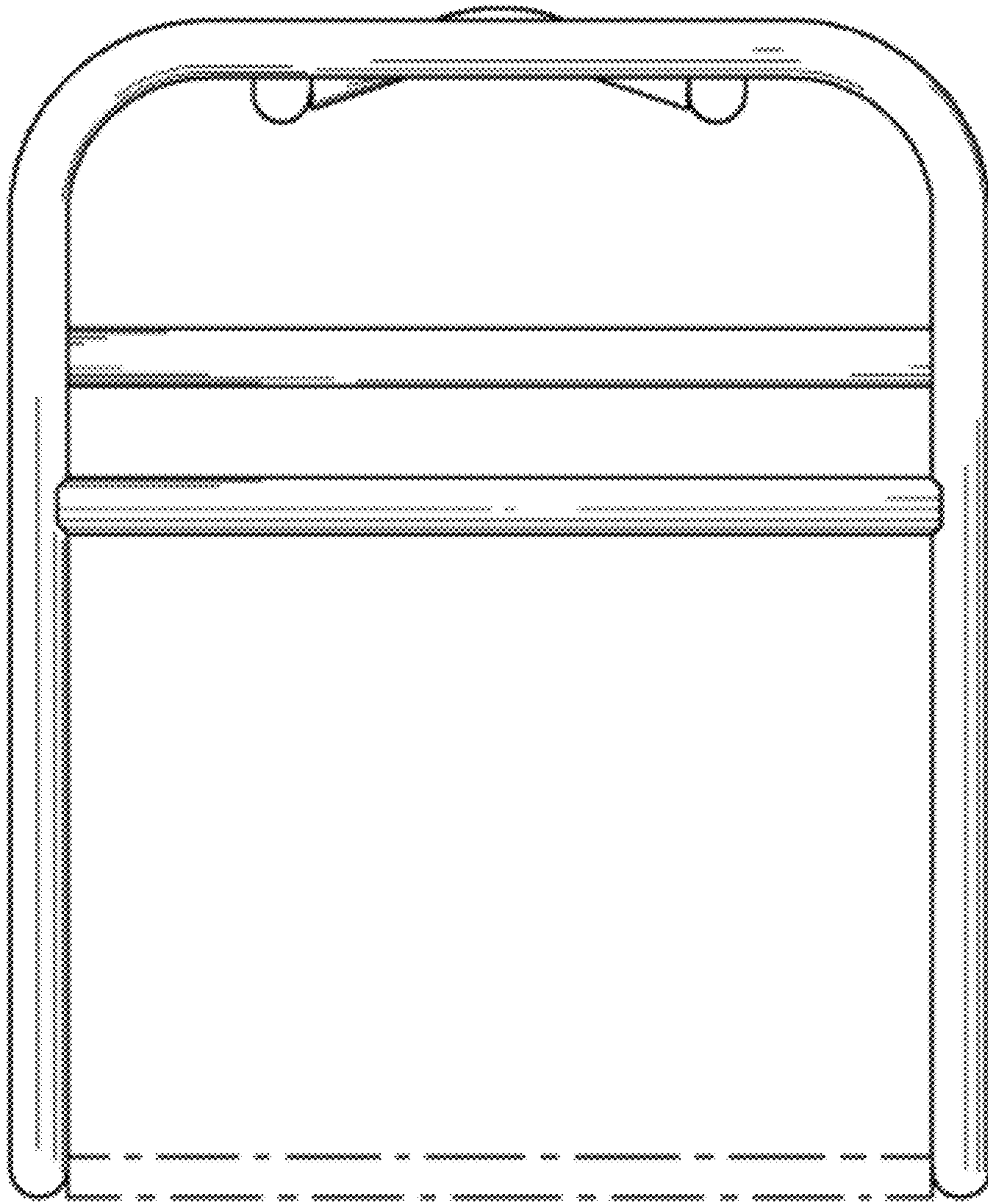


Fig.4

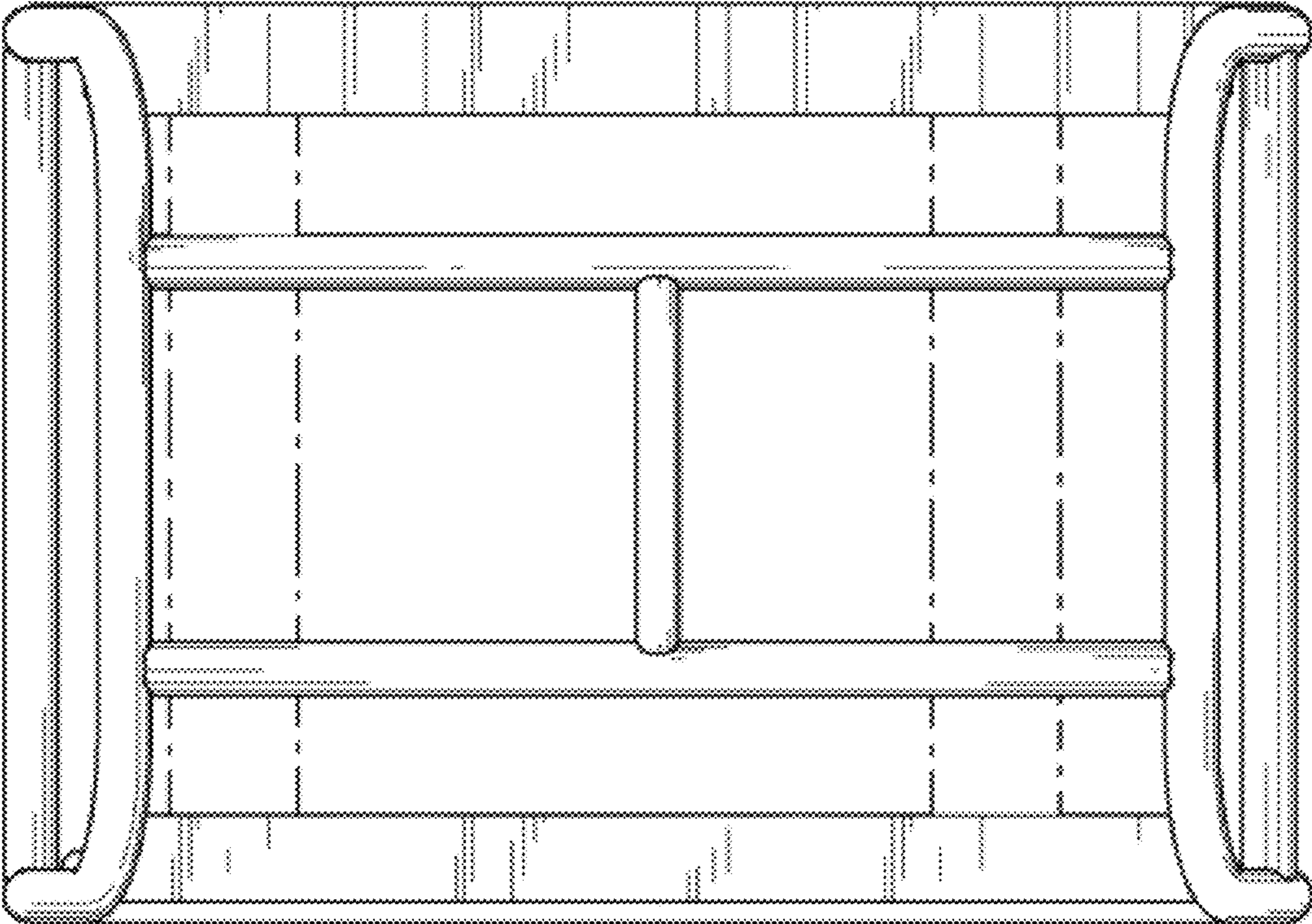


Fig.5

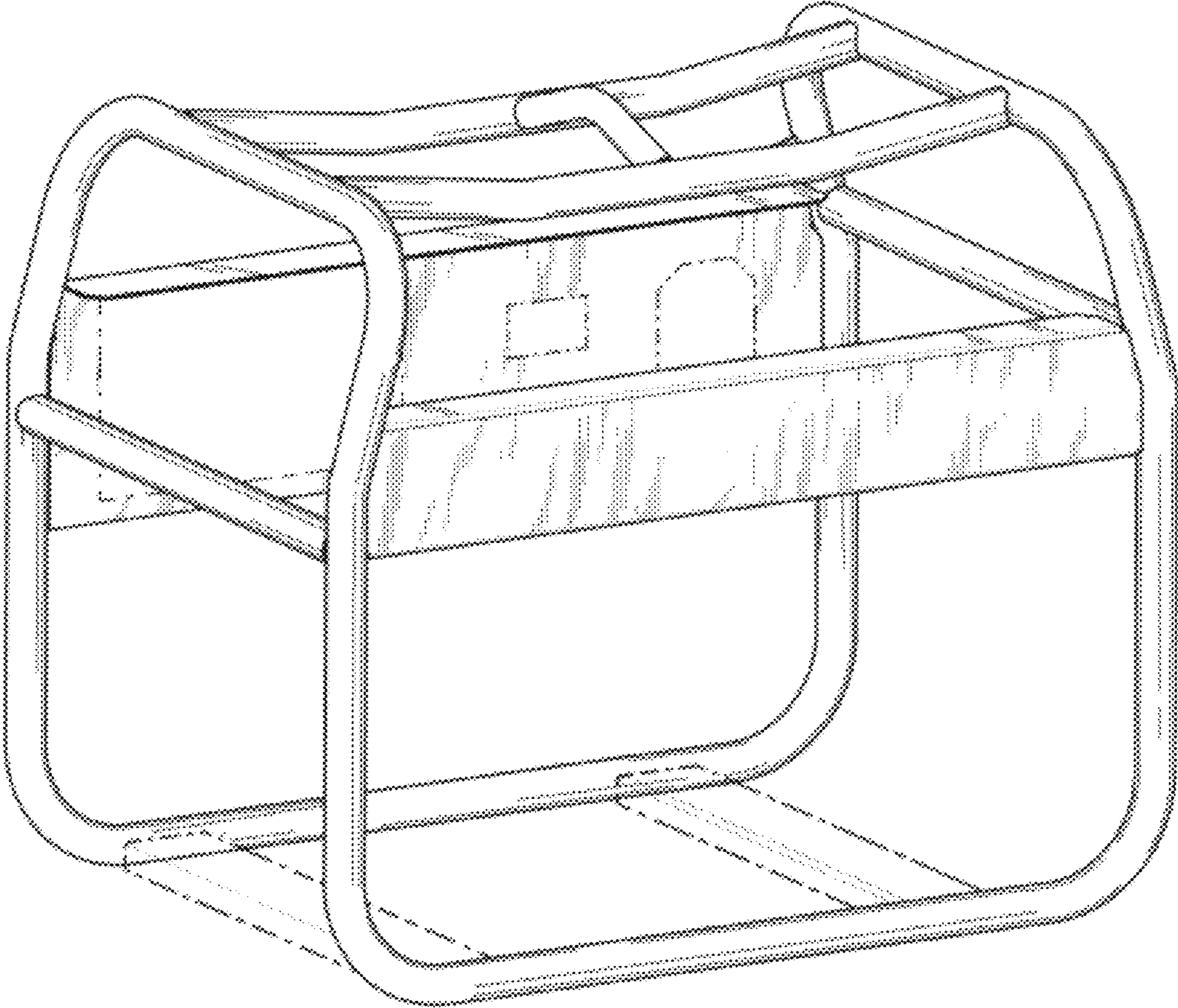


Fig. 6