



US00D675983S

(12) **United States Design Patent**
Berdan

(10) **Patent No.:** **US D675,983 S**

(45) **Date of Patent:** **** Feb. 12, 2013**

(54) **DUAL VERTICAL WIND GENERATOR**

(76) Inventor: **Michael Berdan**, Carrollton, TX (US)

(**) Term: **14 Years**

(21) Appl. No.: **29/426,799**

(22) Filed: **Jul. 10, 2012**

(51) **LOC (9) Cl.** **13-01**

(52) **U.S. Cl.** **D13/115**

(58) **Field of Classification Search** D13/115,
D13/101, 199; D15/1, 199; 290/54, 55;
416/23, 24, 31, 37, 38, 51, 132 B, 132 R,
416/142, 143, 151, 176, 196 A, 197 A

See application file for complete search history.

(56) **References Cited**

U.S. PATENT DOCUMENTS

4,520,273	A *	5/1985	Rowe	290/54
D305,419	S *	1/1990	Korneski	D13/115
5,969,430	A	10/1999	Forrey		
6,345,957	B1 *	2/2002	Szpur	416/197 A
D511,323	S *	11/2005	Kato et al.	D13/115
D511,495	S	11/2005	Okubo		
D587,196	S	2/2009	Chong		
D591,234	S	4/2009	Unno		
D598,376	S	8/2009	Cheung		

D625,261	S	10/2010	Winkler
D638,358	S	5/2011	Sauer, Jr.
2009/0184521	A1	7/2009	Chong
2009/0317255	A1	12/2009	Bertony
2011/0025071	A1	2/2011	Cortesi

* cited by examiner

Primary Examiner — Derrick Holland

(74) *Attorney, Agent, or Firm* — QuickPatents, Inc.; Kevin Prince

(57) **CLAIM**

I claim the ornamental design for a dual vertical wind generator, as shown and described.

DESCRIPTION

FIG. 1 is a perspective view of a dual vertical wind generator, showing my new design;

FIG. 2 is a top plan view thereof;

FIG. 3 is a bottom plan view thereof;

FIG. 4 is a front elevational view thereof;

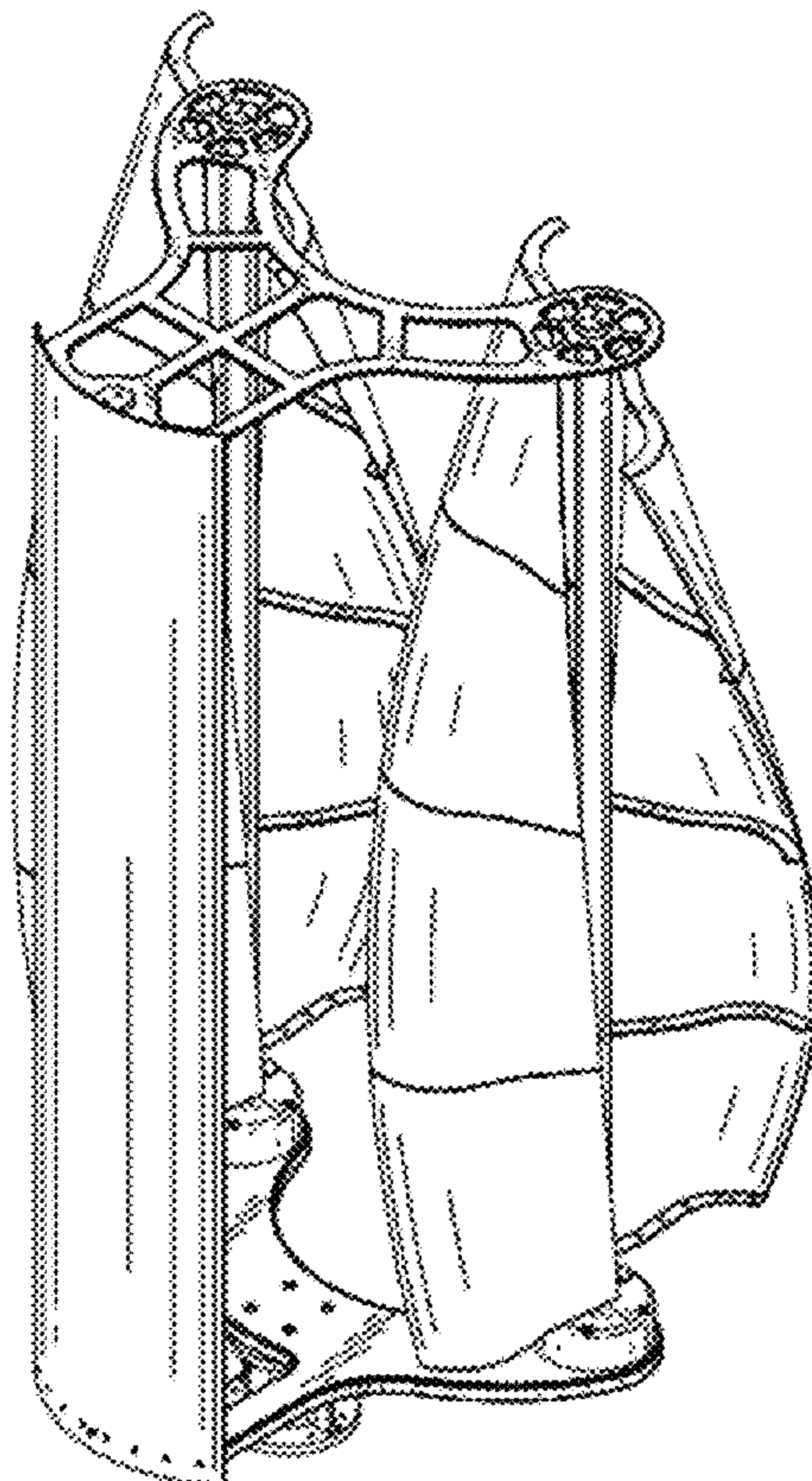
FIG. 5 is a rear elevational view thereof;

FIG. 6 is a left-side elevational view thereof; and,

FIG. 7 is a right-side elevational view thereof.

The broken lines showing conduits in FIG. 3 depict environmental matter and form no part of the claimed design.

1 Claim, 3 Drawing Sheets



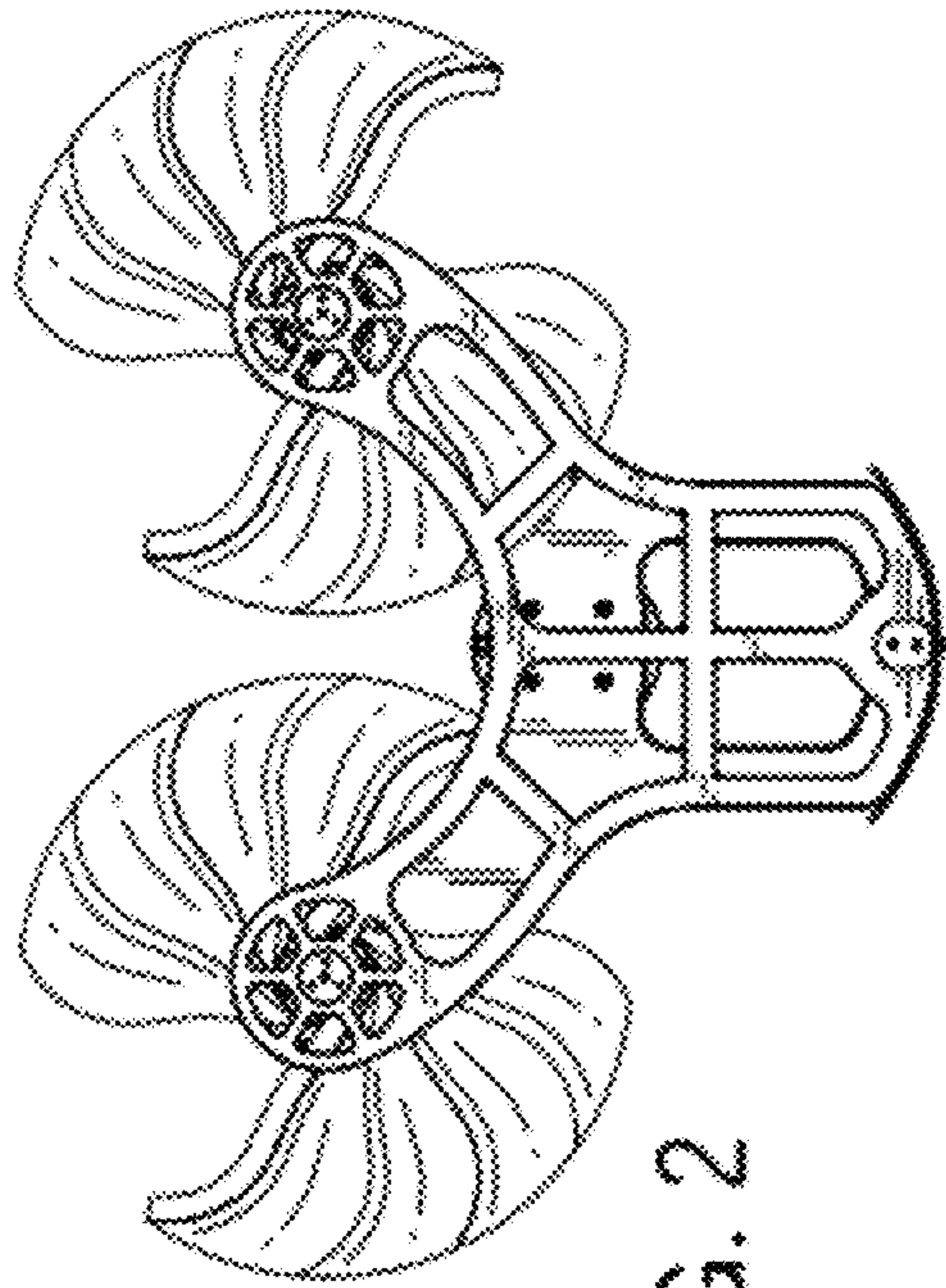
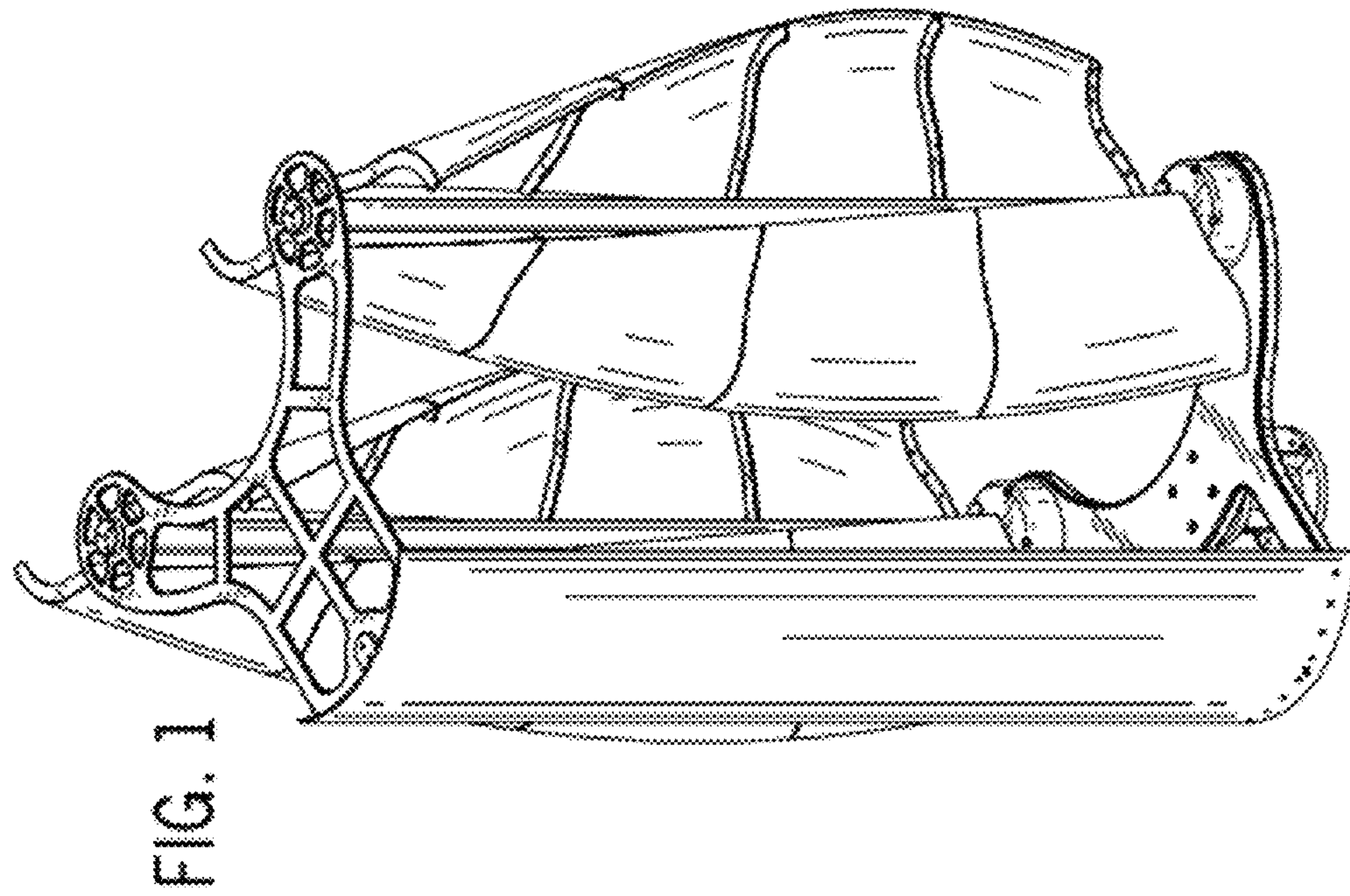


FIG. 2

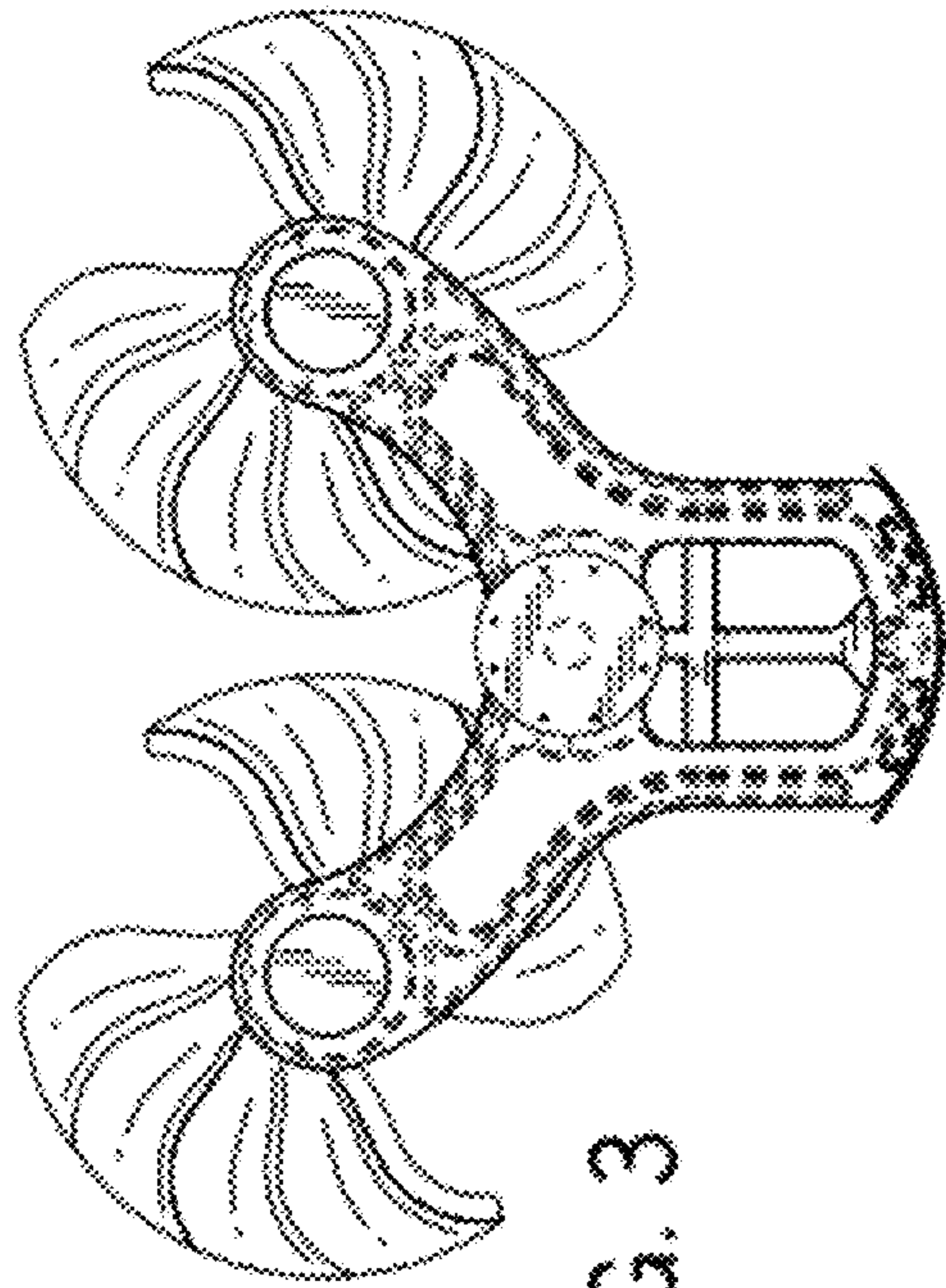


FIG. 3

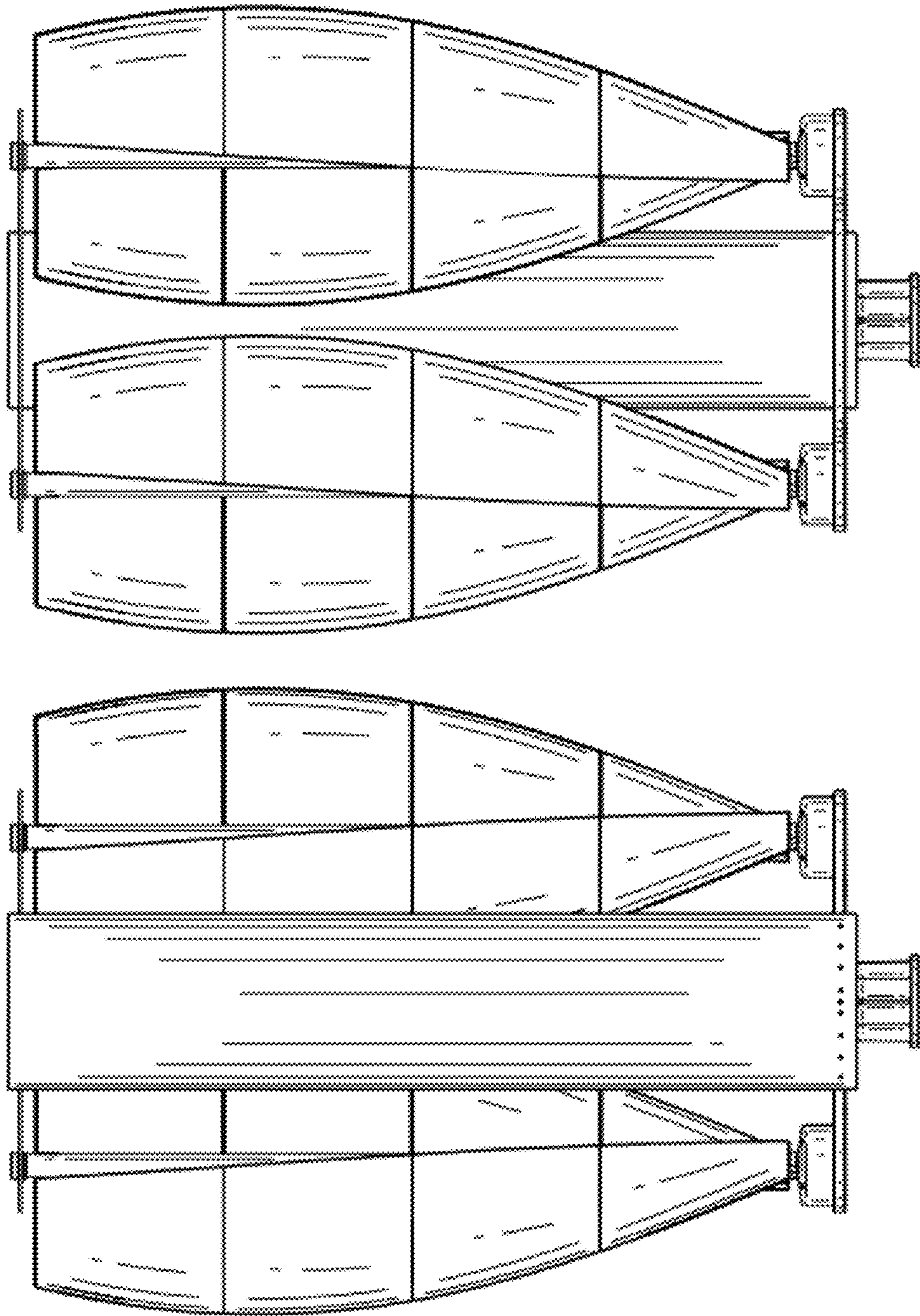


FIG. 5

FIG. 4

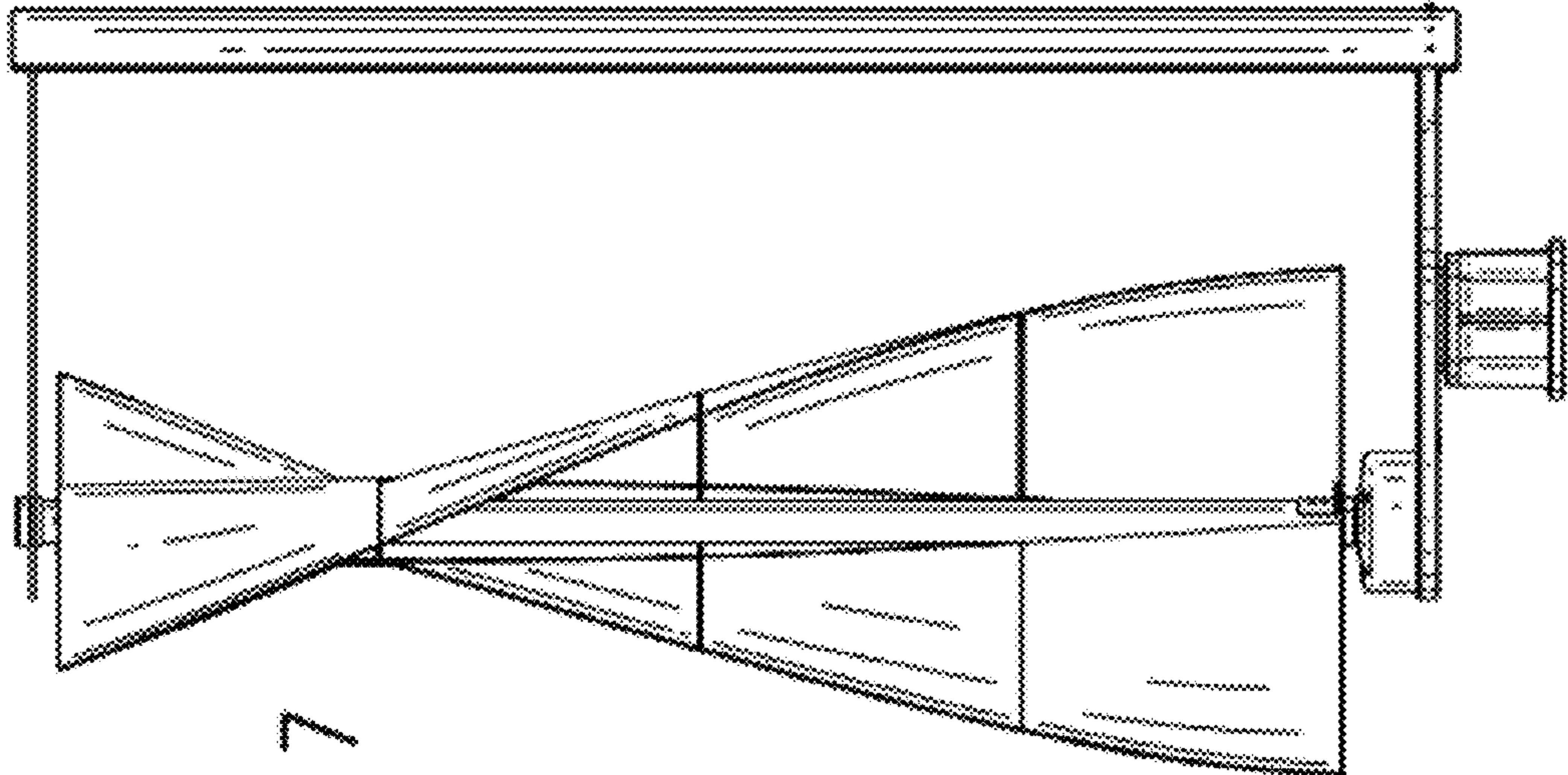


FIG. 7

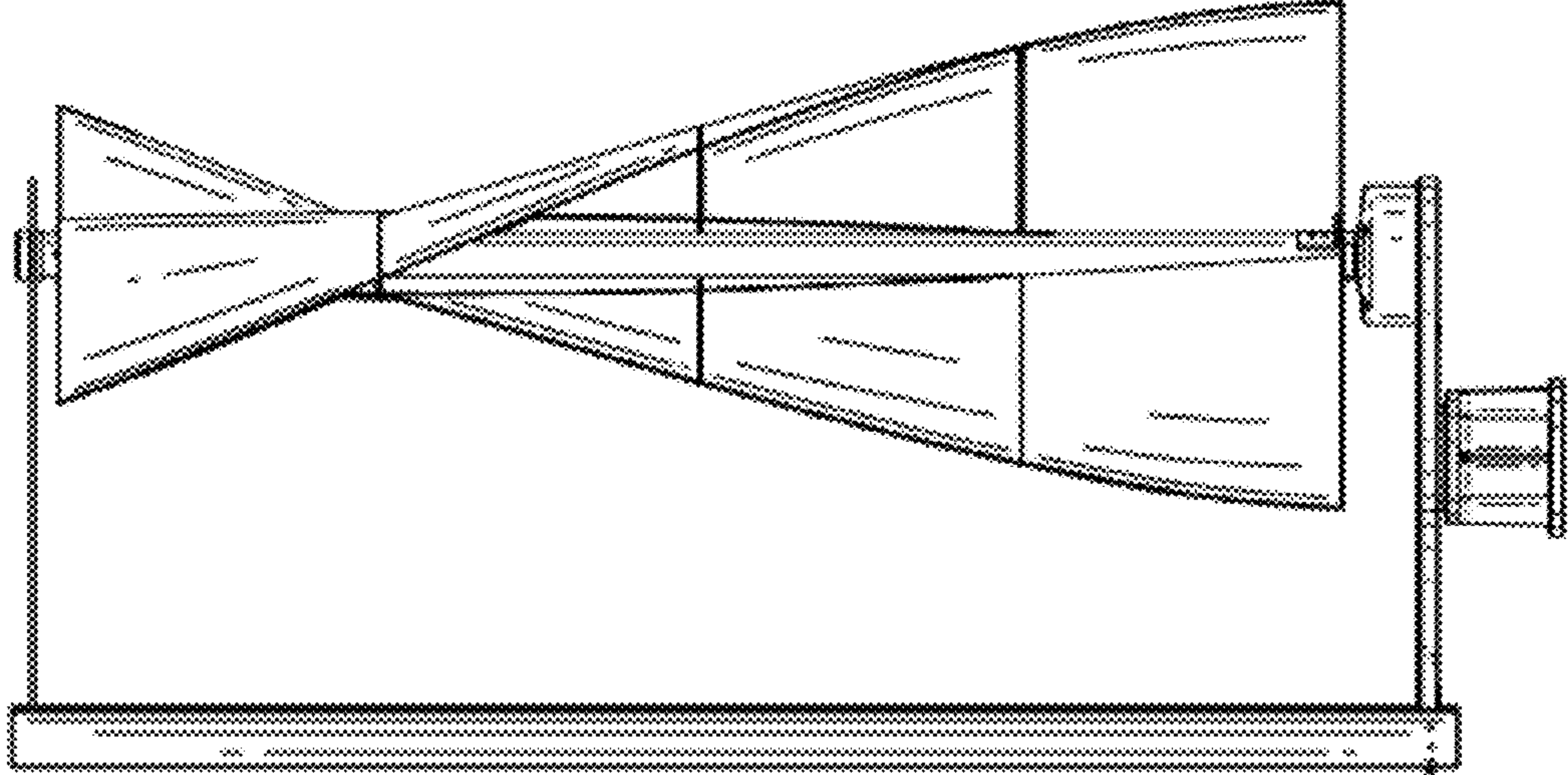


FIG. 6