



US00D675982S

(12) **United States Design Patent**
Kuhn et al.

(10) **Patent No.:** **US D675,982 S**

(45) **Date of Patent:** **** Feb. 12, 2013**

(54) **CONVERTER HOUSING**

(75) Inventors: **Erich Kuhn**, Wurenlos (CH); **Frank Gruenig**, Villingen (CH)

(73) Assignee: **ABB Technology AG**, Zurich (CH)

(**) Term: **14 Years**

(21) Appl. No.: **29/424,725**

(22) Filed: **Jun. 14, 2012**

(30) **Foreign Application Priority Data**

Dec. 19, 2011 (CH) 642850001

(51) **LOC (9) Cl.** **13-02**

(52) **U.S. Cl.** **D13/110**

(58) **Field of Classification Search** D13/110,
D13/101, 122, 123, 184, 199; D15/5; 123/185.1,
123/185.14; 290/47, 48; 310/89, 109; 361/600,
361/601, 622, 702, 703, 730, 809; 363/141,
363/142; D14/432, 433

See application file for complete search history.

(56) **References Cited**

U.S. PATENT DOCUMENTS

D401,216 S * 11/1998 Person et al. D13/110
D423,452 S * 4/2000 Fujisawa et al. D13/110
D425,017 S * 5/2000 Leung D13/110
D426,810 S * 6/2000 Wei D13/110

D427,148 S * 6/2000 Wei D13/110
D427,969 S * 7/2000 Wei D13/110
D474,772 S * 5/2003 Deguchi et al. D14/433
D561,321 S * 2/2008 Hong D23/370
D568,814 S * 5/2008 Hung D13/123
D582,846 S * 12/2008 Lett D13/110

* cited by examiner

Primary Examiner — Derrick Holland

(74) *Attorney, Agent, or Firm* — McCracken & Frank LLC

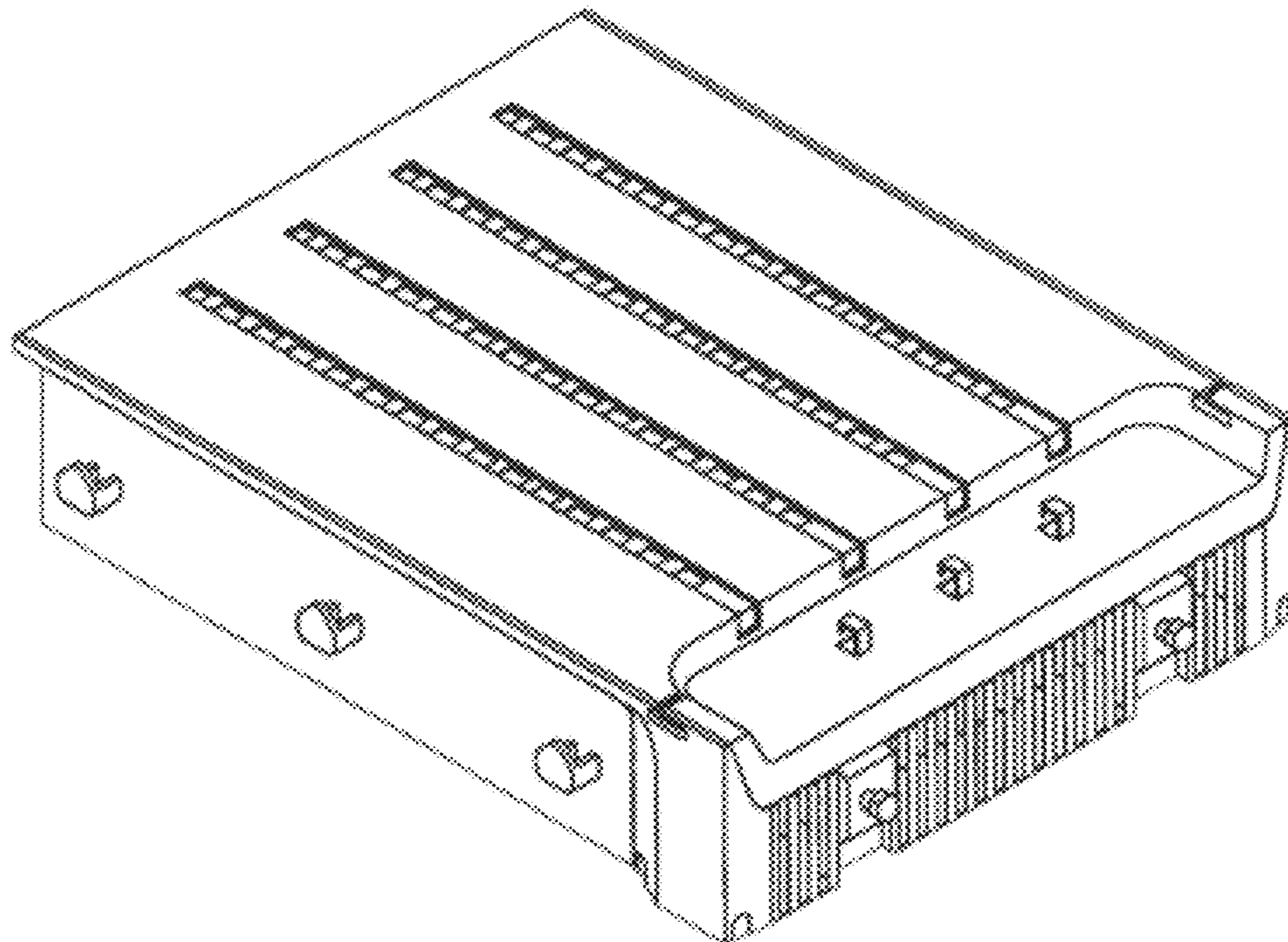
(57) **CLAIM**

The ornamental design for a converter housing, as shown and described.

DESCRIPTION

FIG. 1 is a front, top, and left side perspective view of a converter housing showing our new design; FIG. 2 is a top plan view of the converter housing of FIG. 1; FIG. 3 is a bottom plan view of the converter housing of FIG. 1; FIG. 4 is a front elevational view of the converter housing of FIG. 1; FIG. 5 is a rear elevational view of the converter housing of FIG. 1; FIG. 6 is a right side elevational view of the converter housing of FIG. 1; and, FIG. 7 is a left side elevational view of the converter housing of FIG. 1.

1 Claim, 7 Drawing Sheets



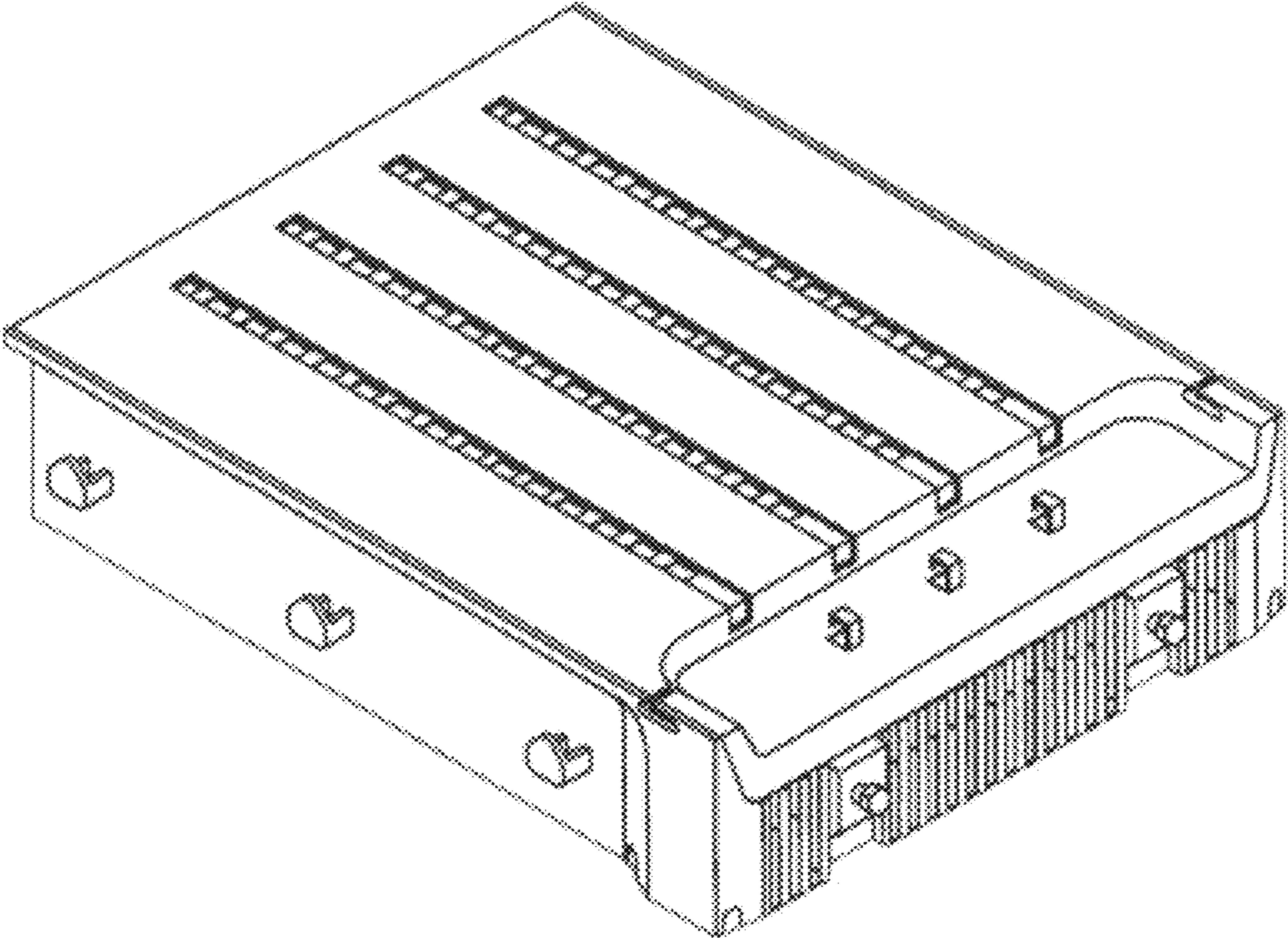


FIG. 1

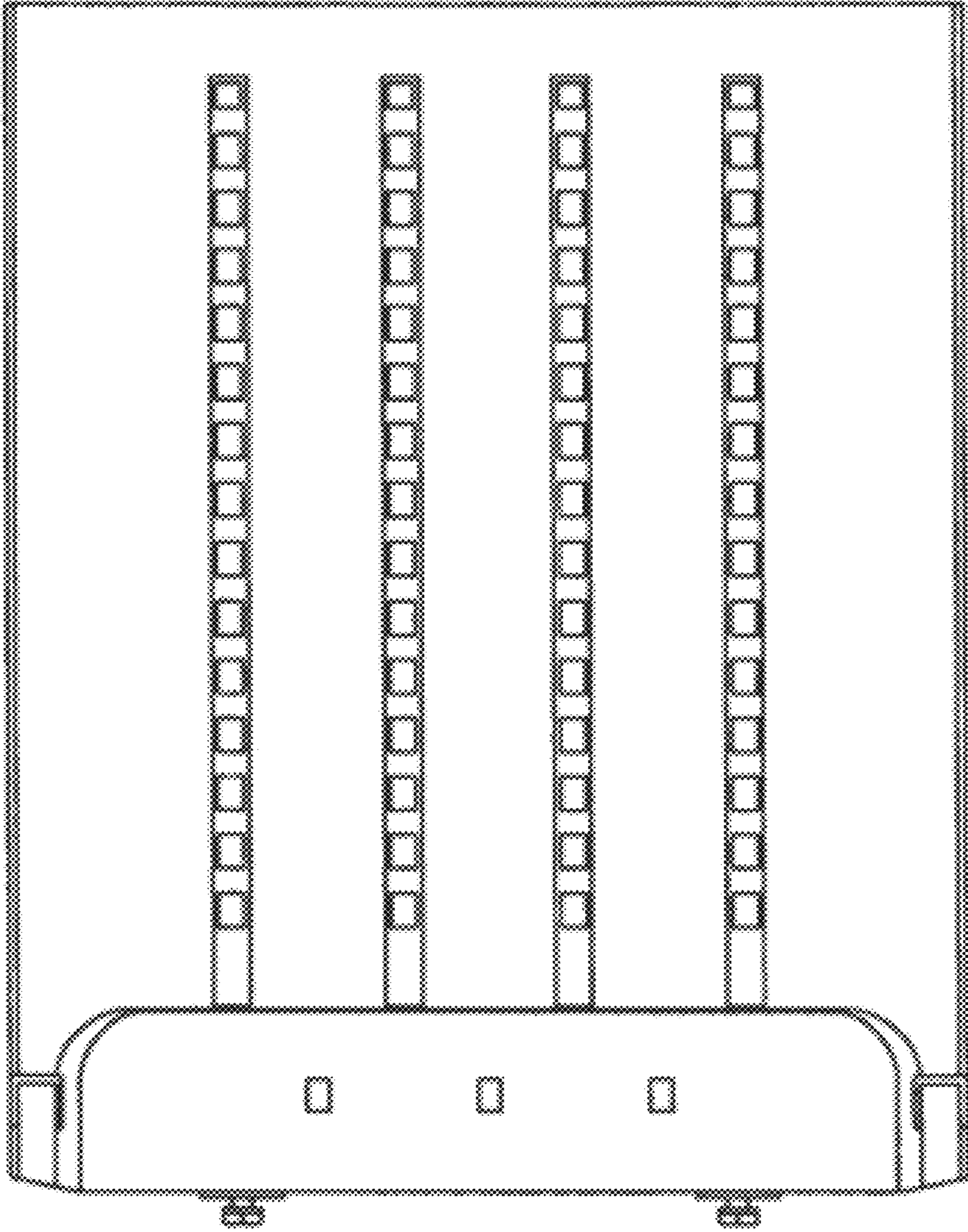


FIG. 2

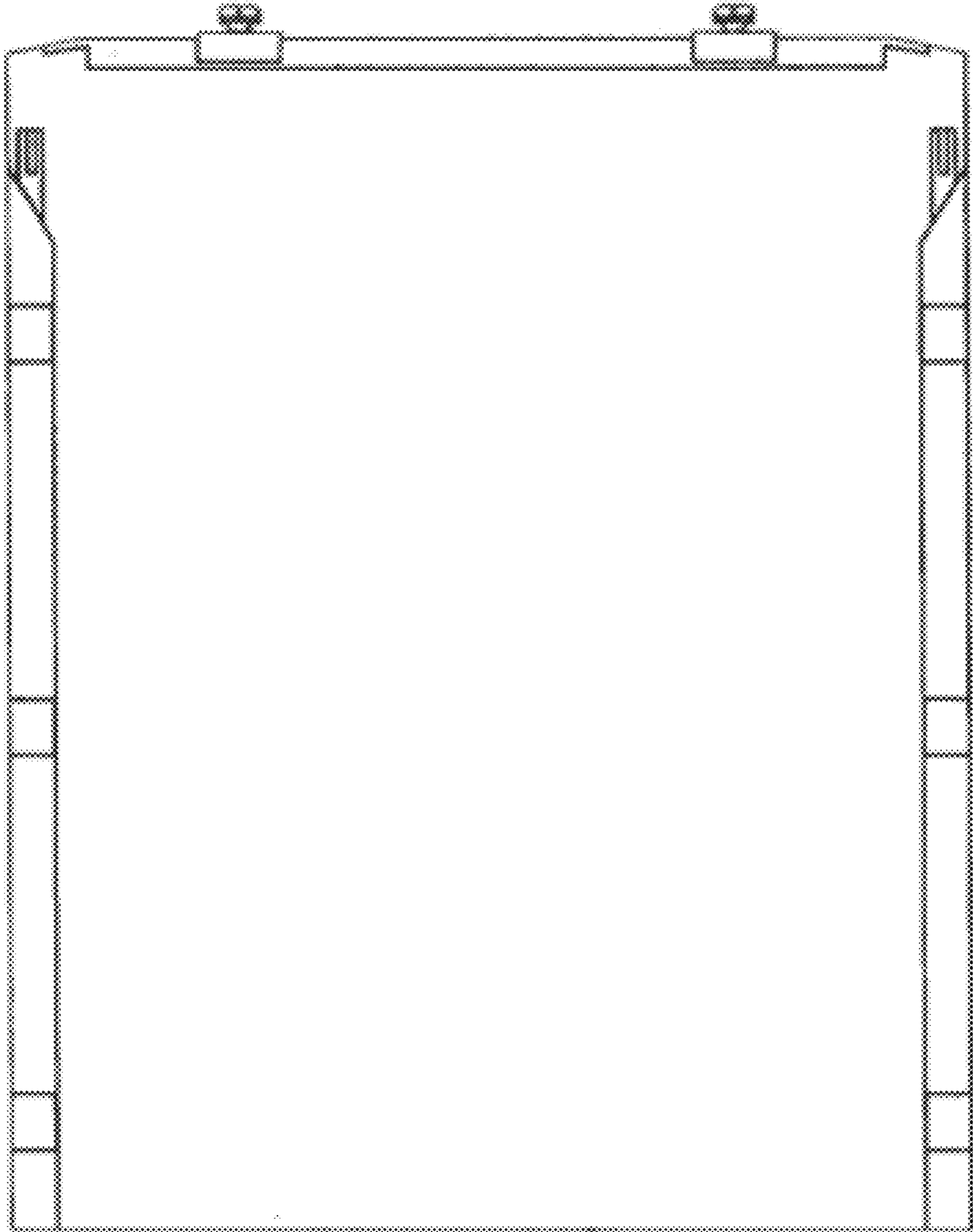


FIG. 3

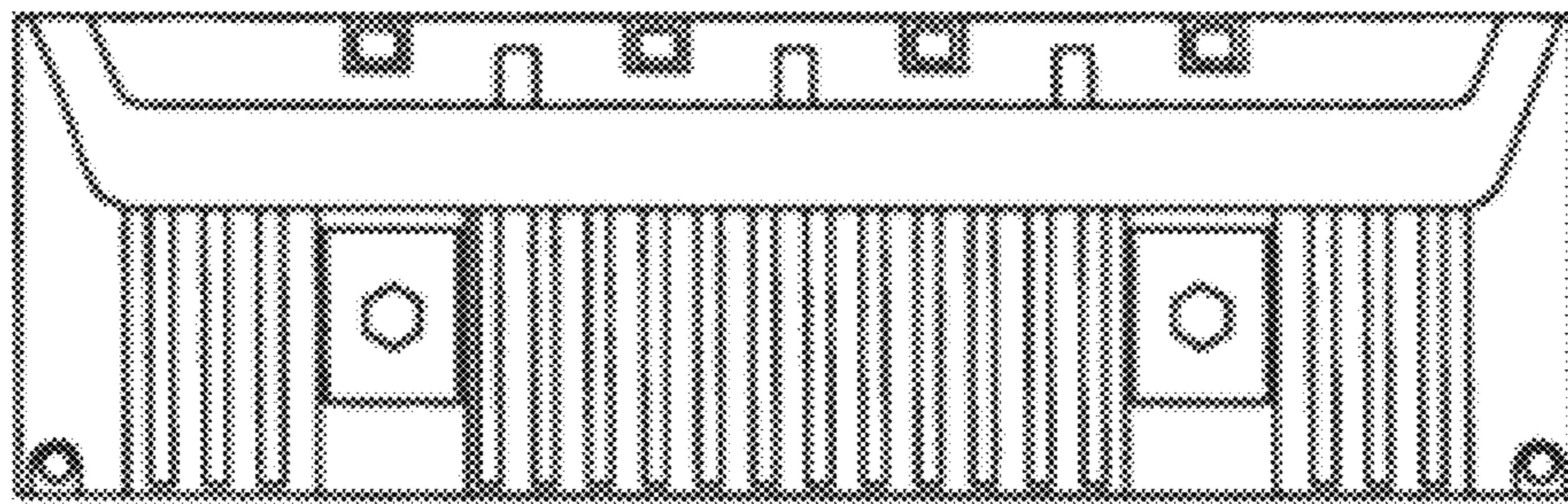


FIG. 4



FIG. 5



FIG. 6



FIG. 7