



US00D675975S

(12) **United States Design Patent**
Nakamura et al.

(10) **Patent No.:** **US D675,975 S**
(45) **Date of Patent:** **** Feb. 12, 2013**

(54) **TREAD PORTION OF AN AUTOMOBILE TIRE**

(75) Inventors: **Takamitsu Nakamura**, Tokyo (JP);
Shungo Fujita, Tokyo (JP)

(73) Assignee: **Bridgestone Corporation**, Tokyo (JP)

(**) Term: **14 Years**

(21) Appl. No.: **29/406,058**

(22) Filed: **Nov. 9, 2011**

(30) **Foreign Application Priority Data**

May 10, 2011 (JP) 2011-010439

(51) **LOC (9) Cl.** **12-16**

(52) **U.S. Cl.** **D12/531**

(58) **Field of Classification Search** D12/505-532;
152/209.1, 209.8, 209.9, 209.12, 209.18,
152/209.25

See application file for complete search history.

(56) **References Cited**

U.S. PATENT DOCUMENTS

D584,214 S * 1/2009 Mukai D12/532

FOREIGN PATENT DOCUMENTS

JP	968412 S	11/1996
JP	1002699 S	2/1998
JP	1337432 S	8/2008
KR	30-0506321 S	9/2008

OTHER PUBLICATIONS

Japanese Design Gazette dated Mar. 19, 2012 issued in the counter-
part Japanese Design Application No. D2011-10439.

* cited by examiner

Primary Examiner — George D Kirschbaum

(74) *Attorney, Agent, or Firm* — Sughrue Mion, PLLC

(57) **CLAIM**

The ornamental design for a tread portion of an automobile
tire, as shown and described.

DESCRIPTION

FIG. 1 is a perspective view of a tread portion of an automo-
bile tire;

FIG. 2 is a front view thereof;

FIG. 3 is a plane view thereof;

FIG. 4 is a right side view thereof;

FIG. 5 is a left side view thereof;

FIG. 6 is a rear view thereof;

FIG. 7 a fragmentary enlarged view showing the details of the
tread portion thereof;

FIG. 8 is an end view taken along line 8-8 in FIG. 7;

FIG. 9 is an end view taken along line 9-9 in FIG. 7;

FIG. 10 is an end view taken along line 10-10 in FIG. 7; and,

FIG. 11 is an enlarge reference view showing the details of the
tread portion thereof.

In the drawings, the broken lines defining the sidewall, inner
bead and the peripheral boundary between the claimed tire
tread and the unclaimed portions of tread depict environmen-
tal subject matter that forms no part of the claimed design.

1 Claim, 11 Drawing Sheets

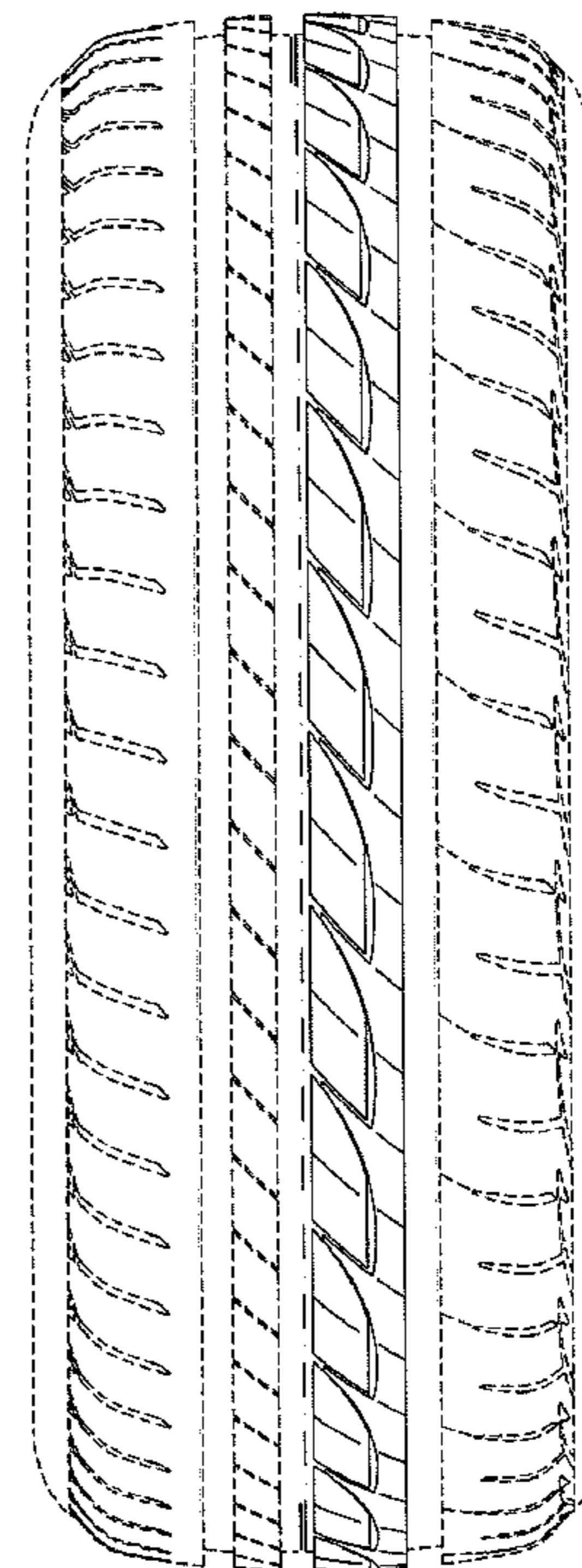
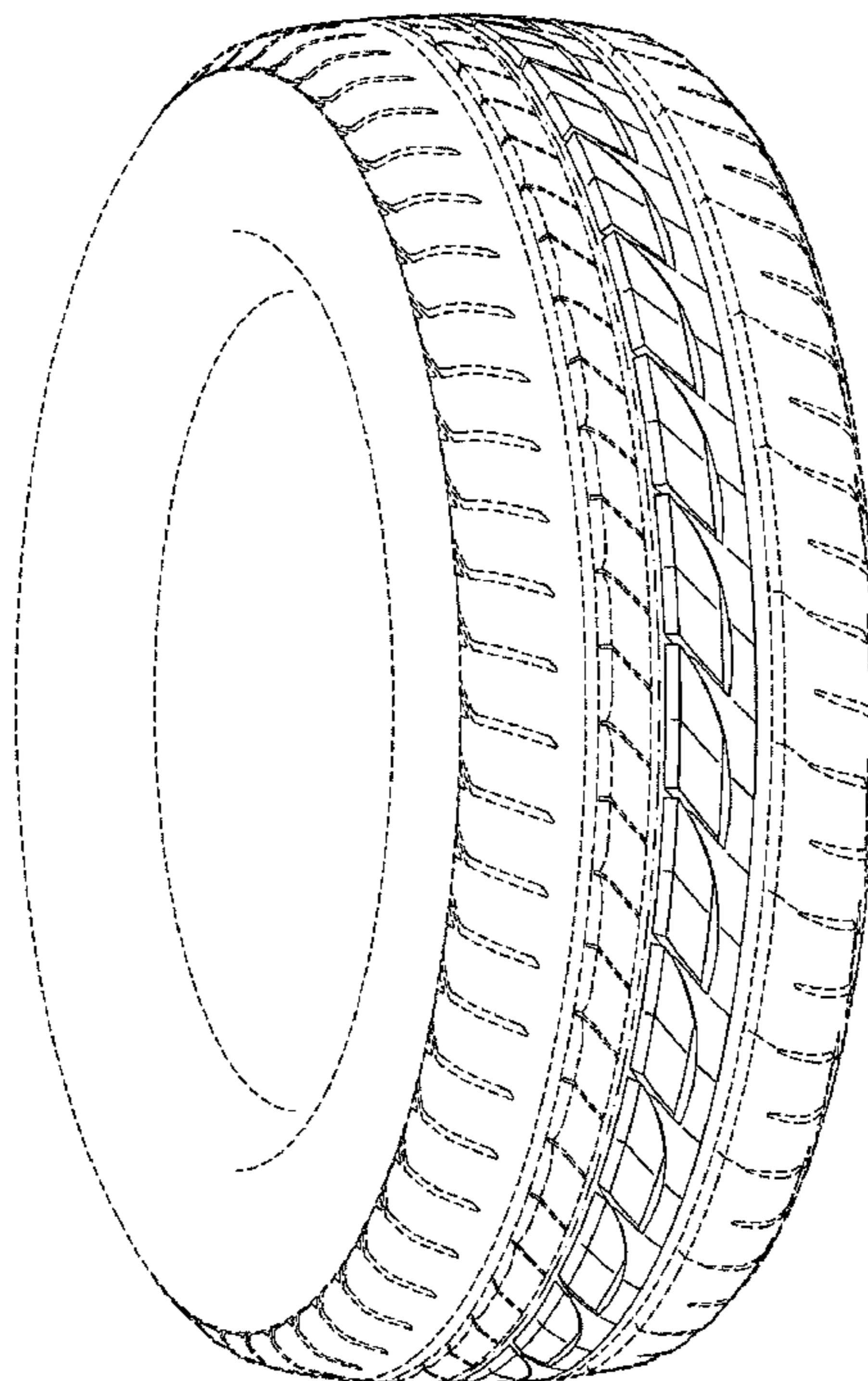


FIG. 1

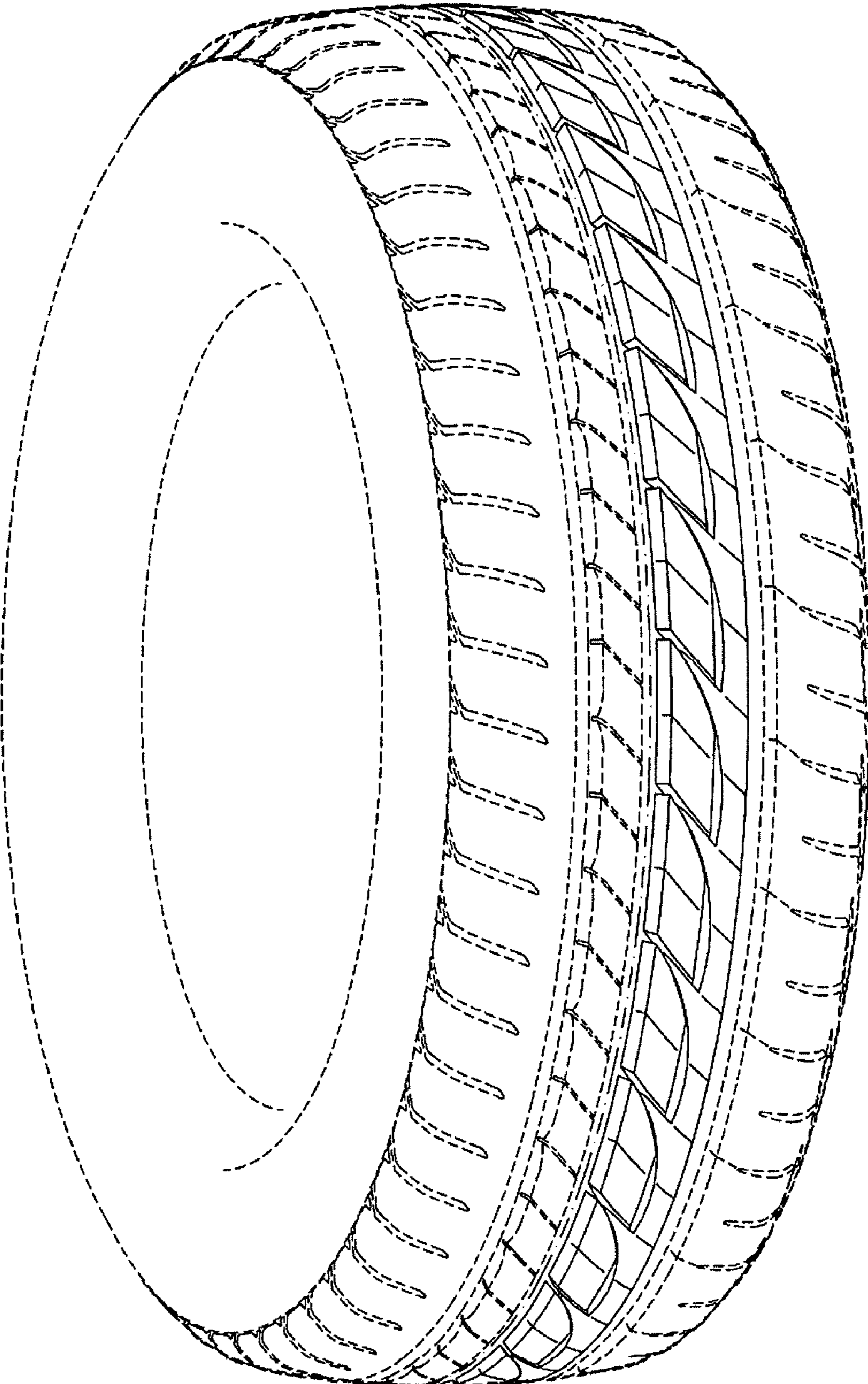


FIG. 2

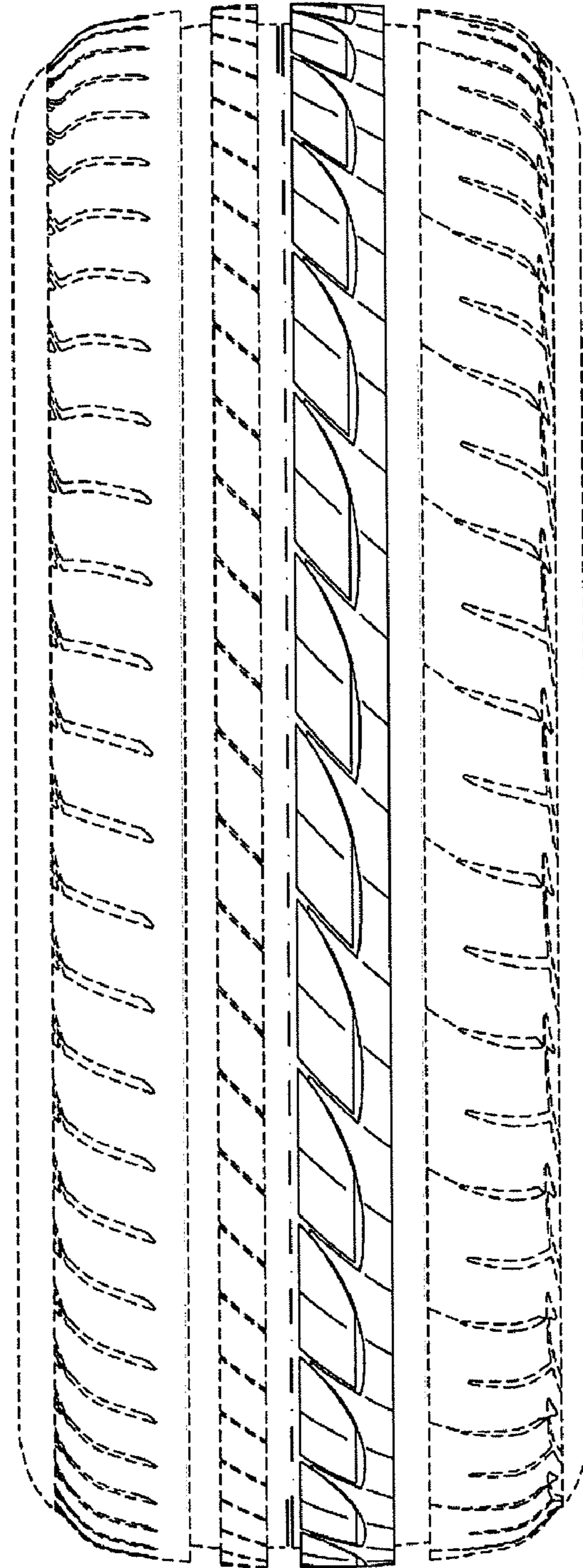


FIG. 3

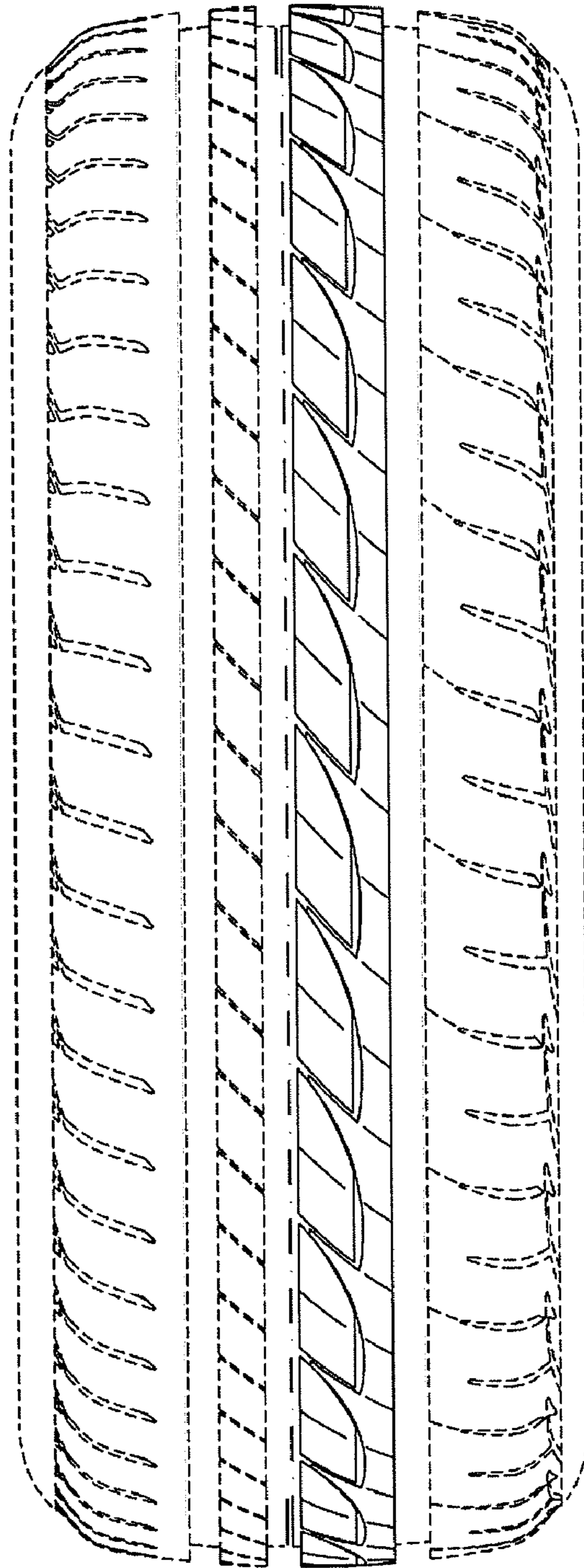


FIG. 4

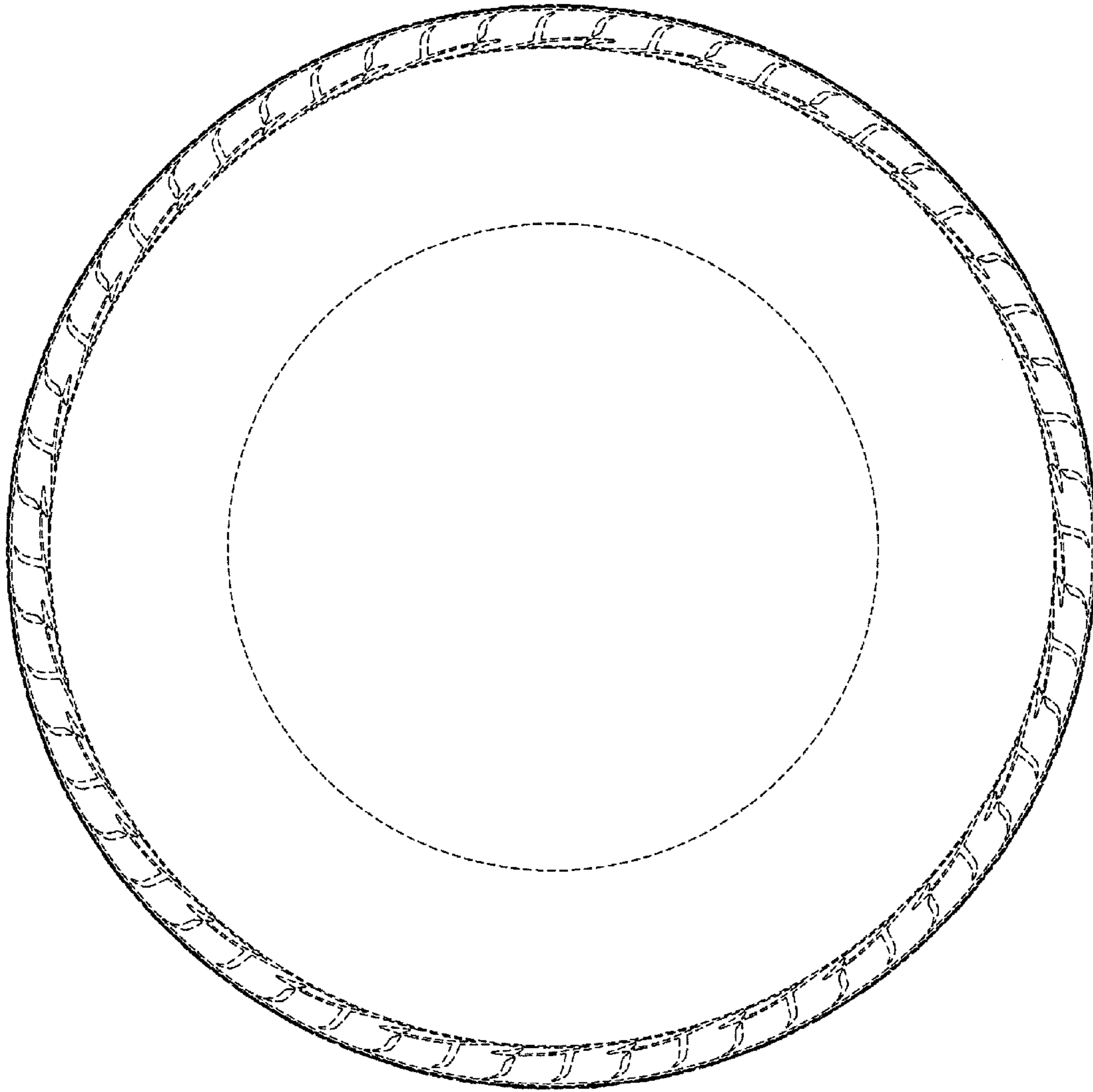


FIG. 5

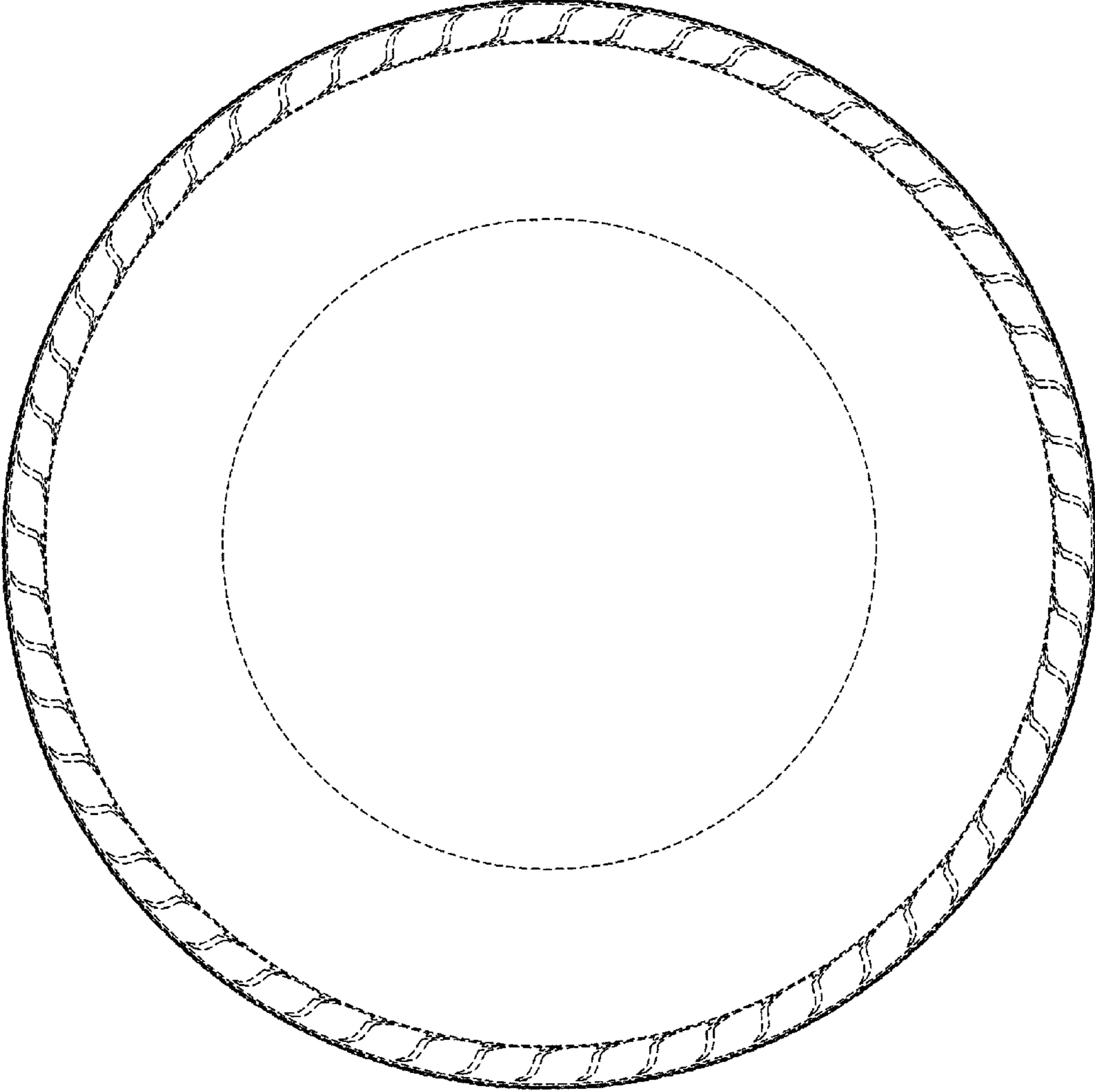


FIG. 6

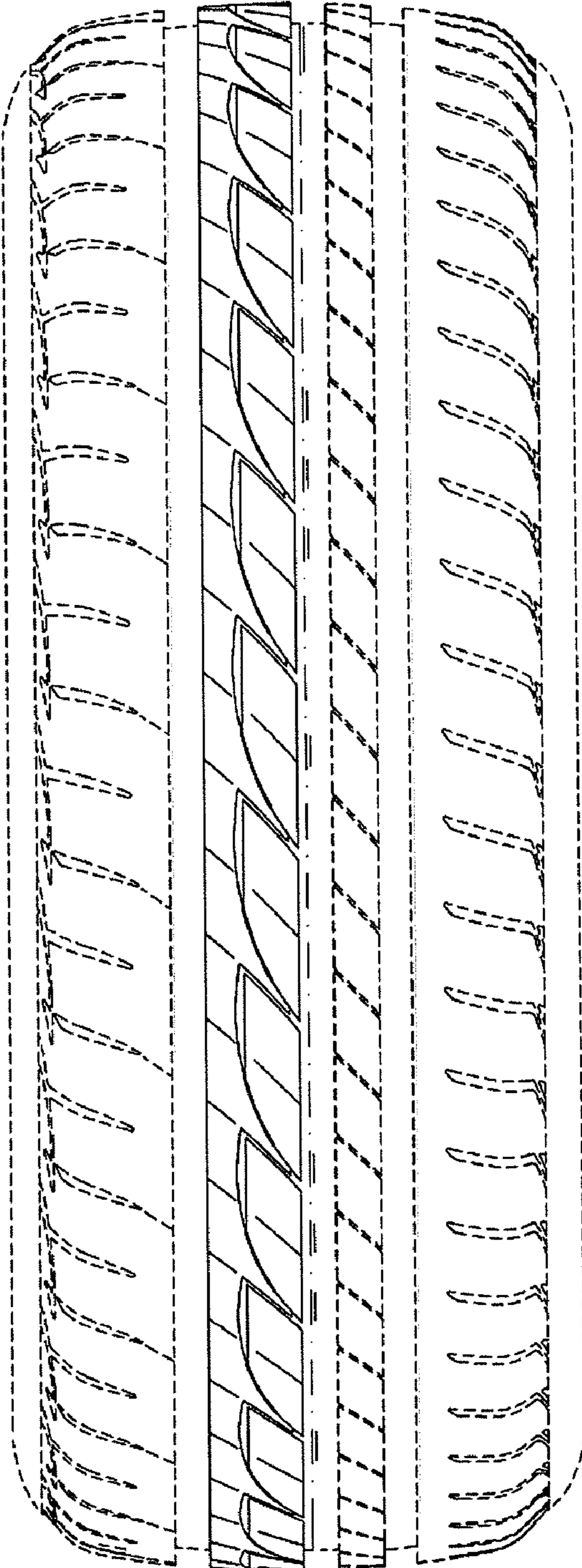


FIG. 7

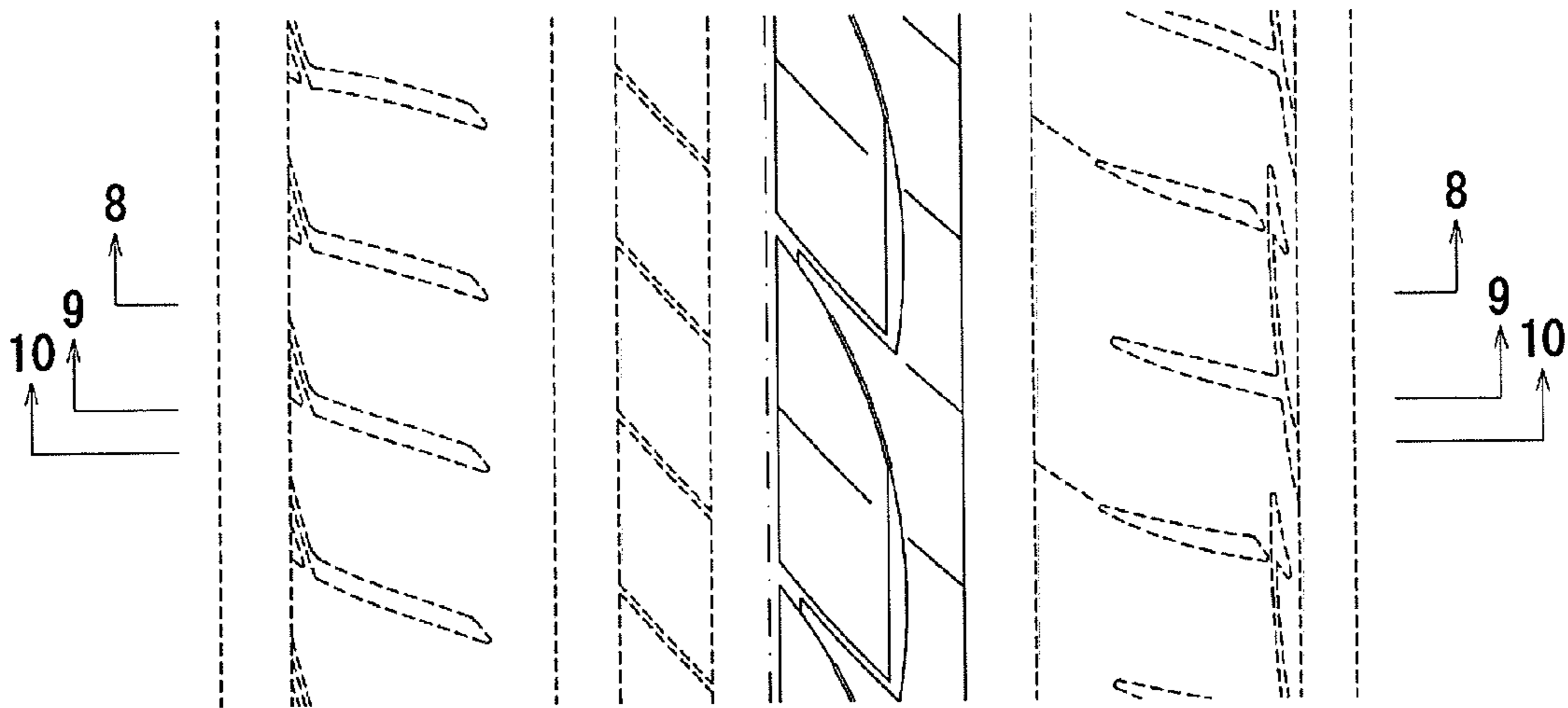


FIG. 8

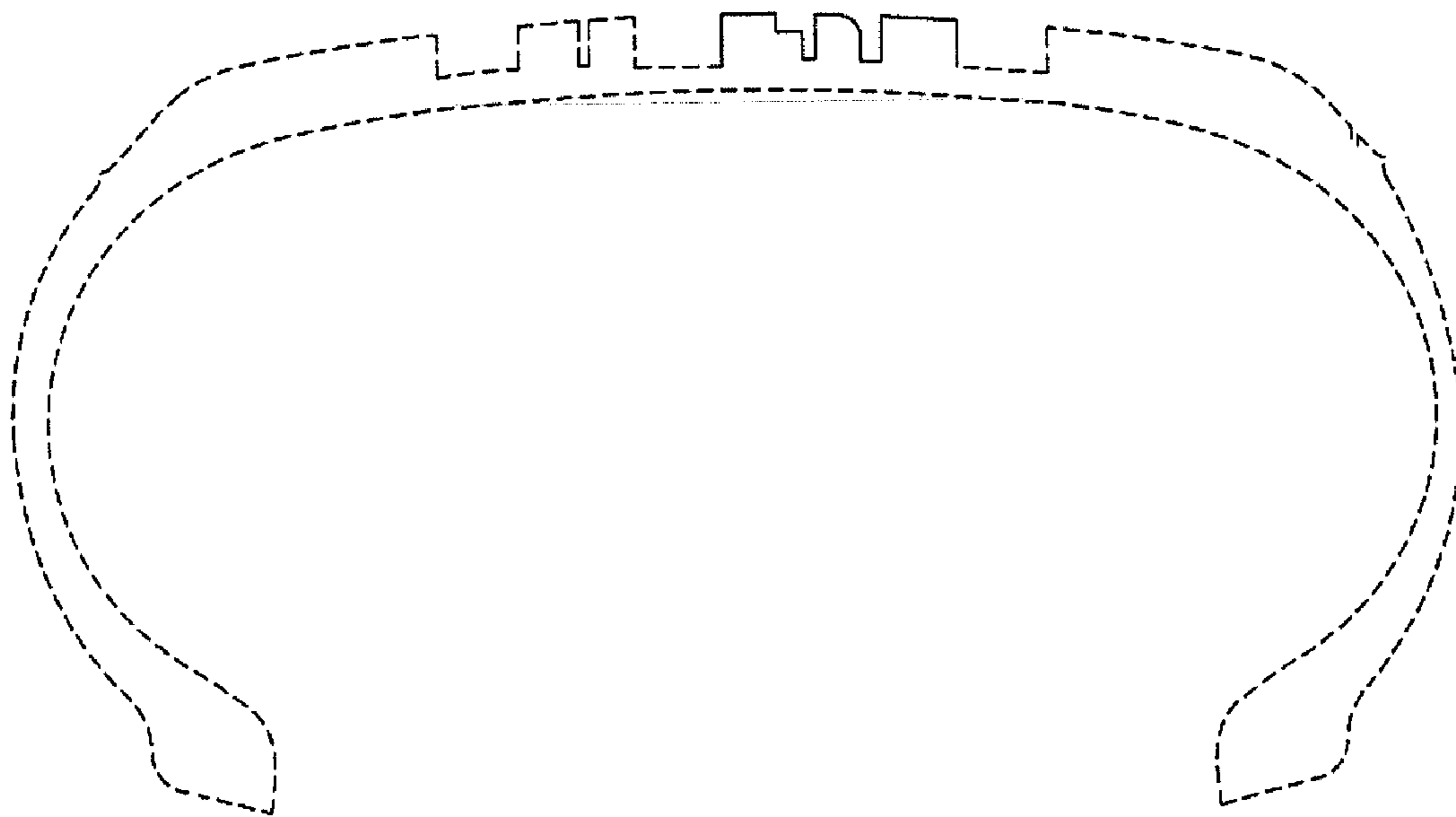


FIG. 9

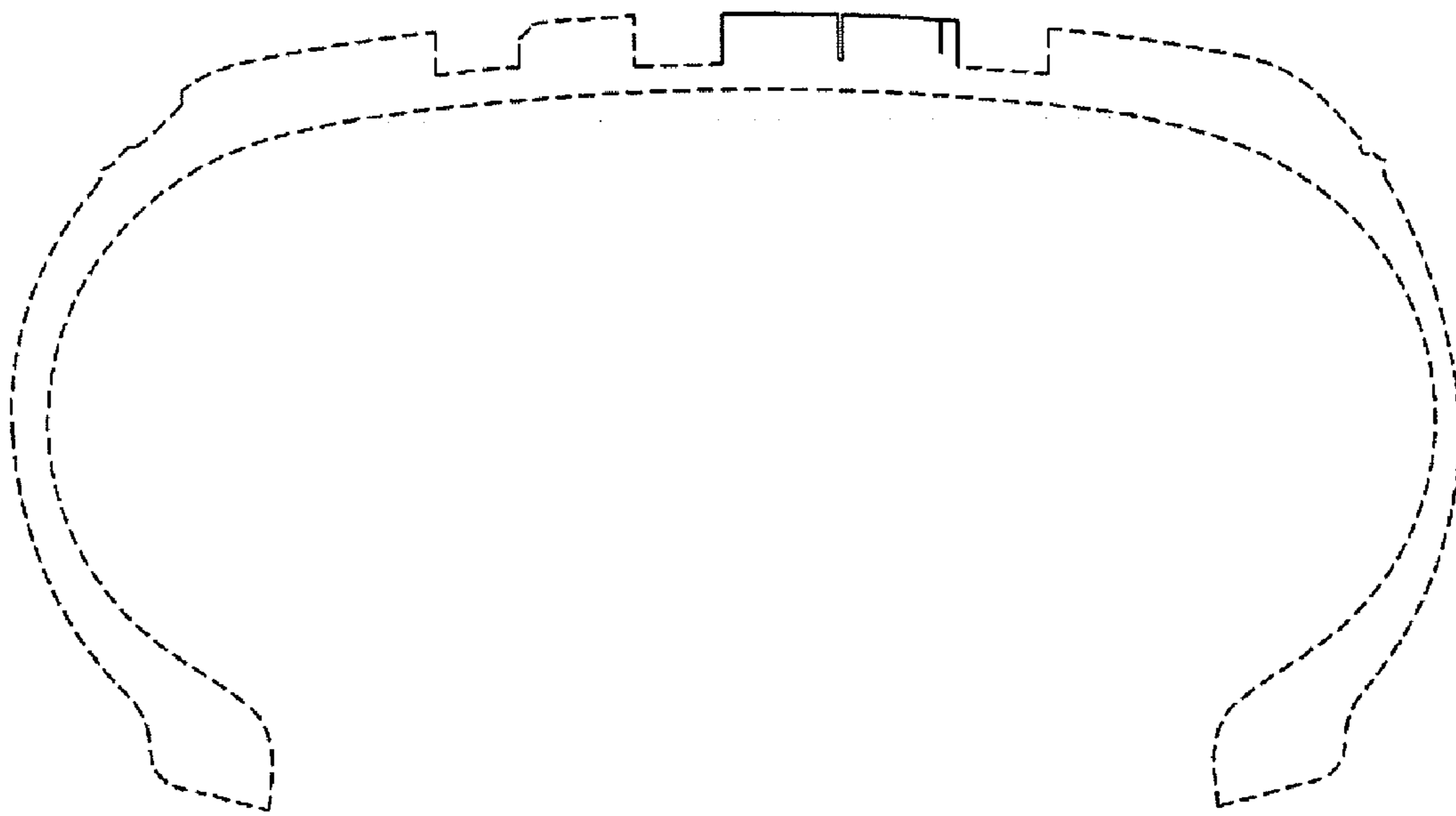


FIG. 10

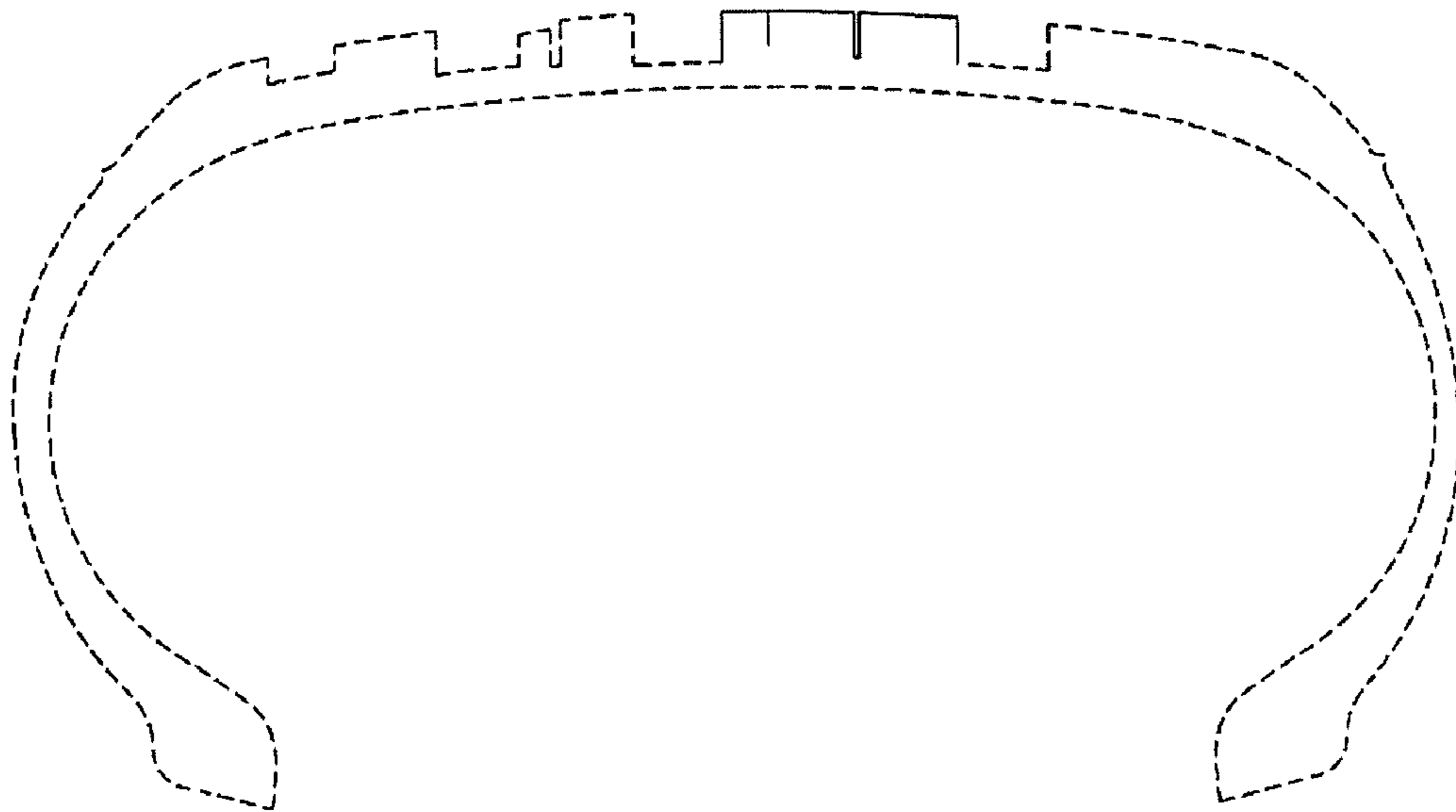


FIG. 11

