



US00D675970S

(12) **United States Design Patent**
Lee

(10) **Patent No.:** **US D675,970 S**

(45) **Date of Patent:** **** Feb. 12, 2013**

(54) **AUTOMOTIVE WHEEL**

(75) Inventor: **Kevin Lee**, Yorba Linda, CA (US)

(73) Assignee: **Kevin Lee**, Yorba Linda, CA (US)

(**) Term: **14 Years**

(21) Appl. No.: **29/429,513**

(22) Filed: **Aug. 13, 2012**

(51) **LOC (9) Cl.** **12-16**

(52) **U.S. Cl.** **D12/209**

(58) **Field of Classification Search** D12/204-213;
301/37.101, 64.101, 65, 64.201

See application file for complete search history.

(56) **References Cited**

U.S. PATENT DOCUMENTS

D579,845 S *	11/2008	Chung	D12/209
D582,829 S *	12/2008	Musser	D12/211
D620,863 S *	8/2010	Groom	D12/209
D625,242 S *	10/2010	Zhao	D12/211

D638,763 S *	5/2011	Chung	D12/209
D639,222 S *	6/2011	Johnson	D12/209
D639,223 S *	6/2011	Johnson	D12/209
D649,101 S *	11/2011	Hale, Jr.	D12/209
D659,067 S *	5/2012	Lee	D12/209
D664,907 S *	8/2012	Hale, Jr.	D12/209

* cited by examiner

Primary Examiner — Stacia Cadmus

(74) *Attorney, Agent, or Firm* — Kevin Lee; MKW Alloy Inc

(57) **CLAIM**

The ornamental design for an automotive wheel, as shown and described.

DESCRIPTION

FIG. 1 is a front elevation view of the automotive wheel of the instant invention; and,

FIG. 2 is an perspective view of the automotive wheel of the instant invention.

1 Claim, 2 Drawing Sheets

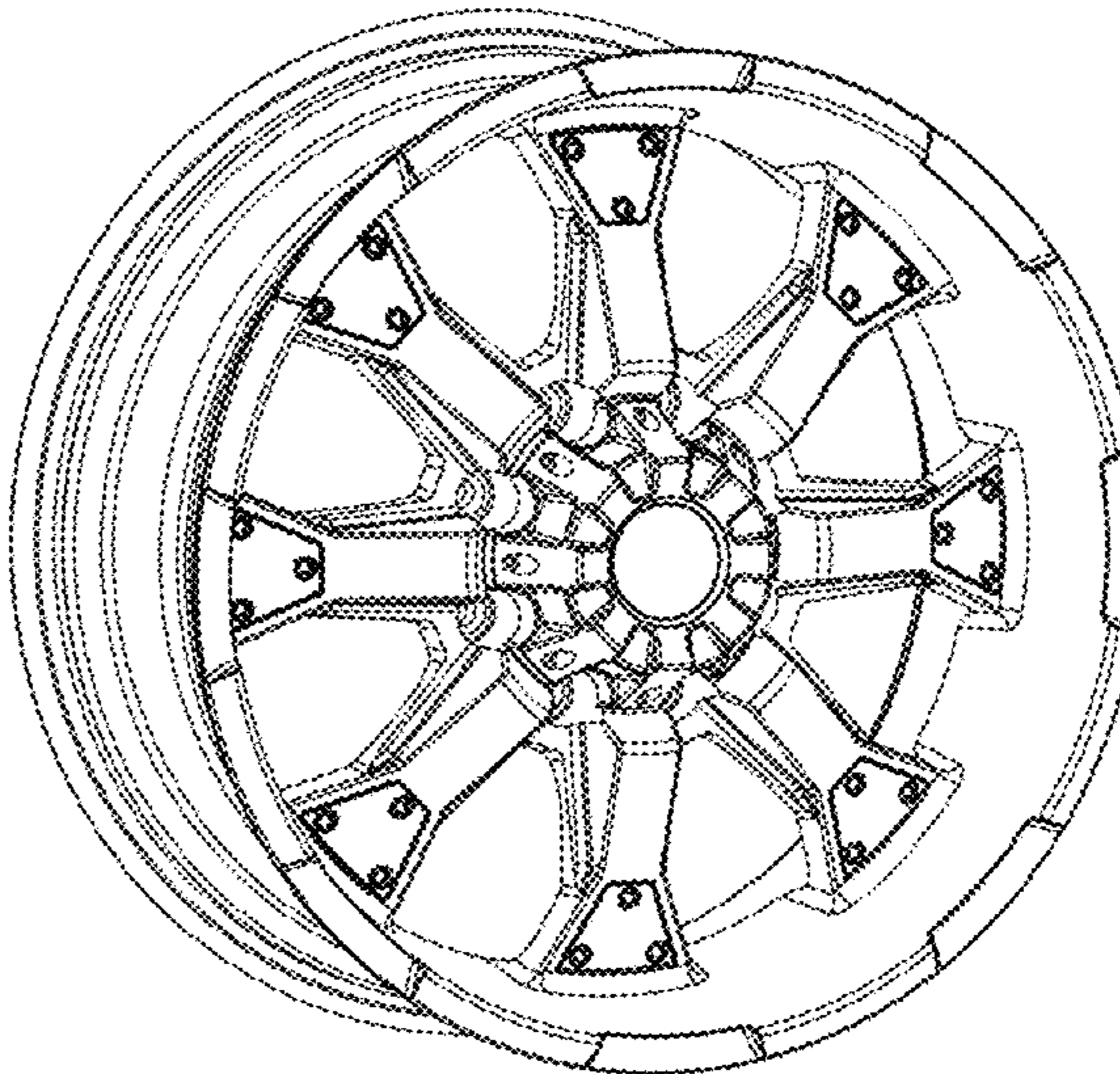
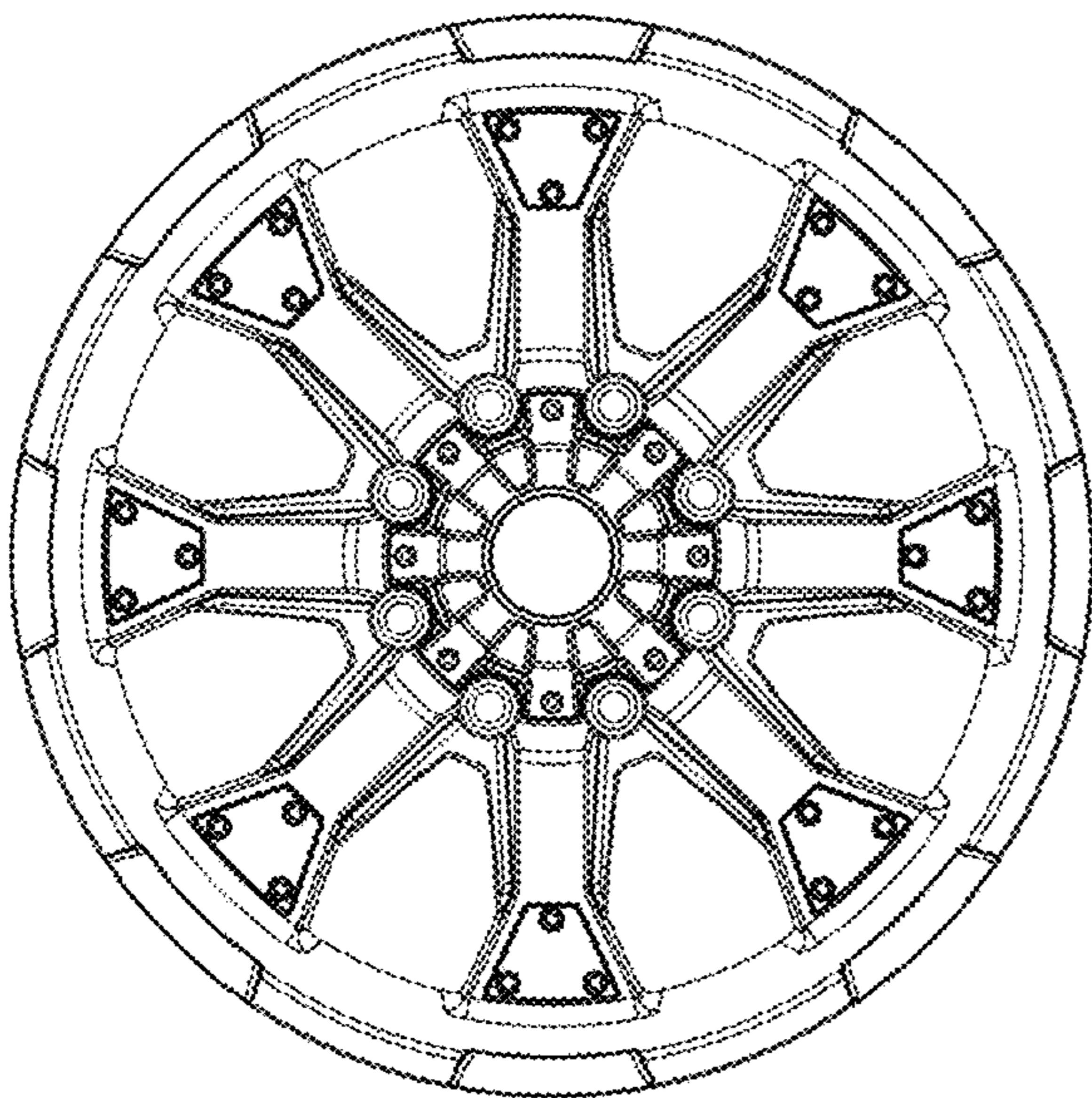


FIGURE 1

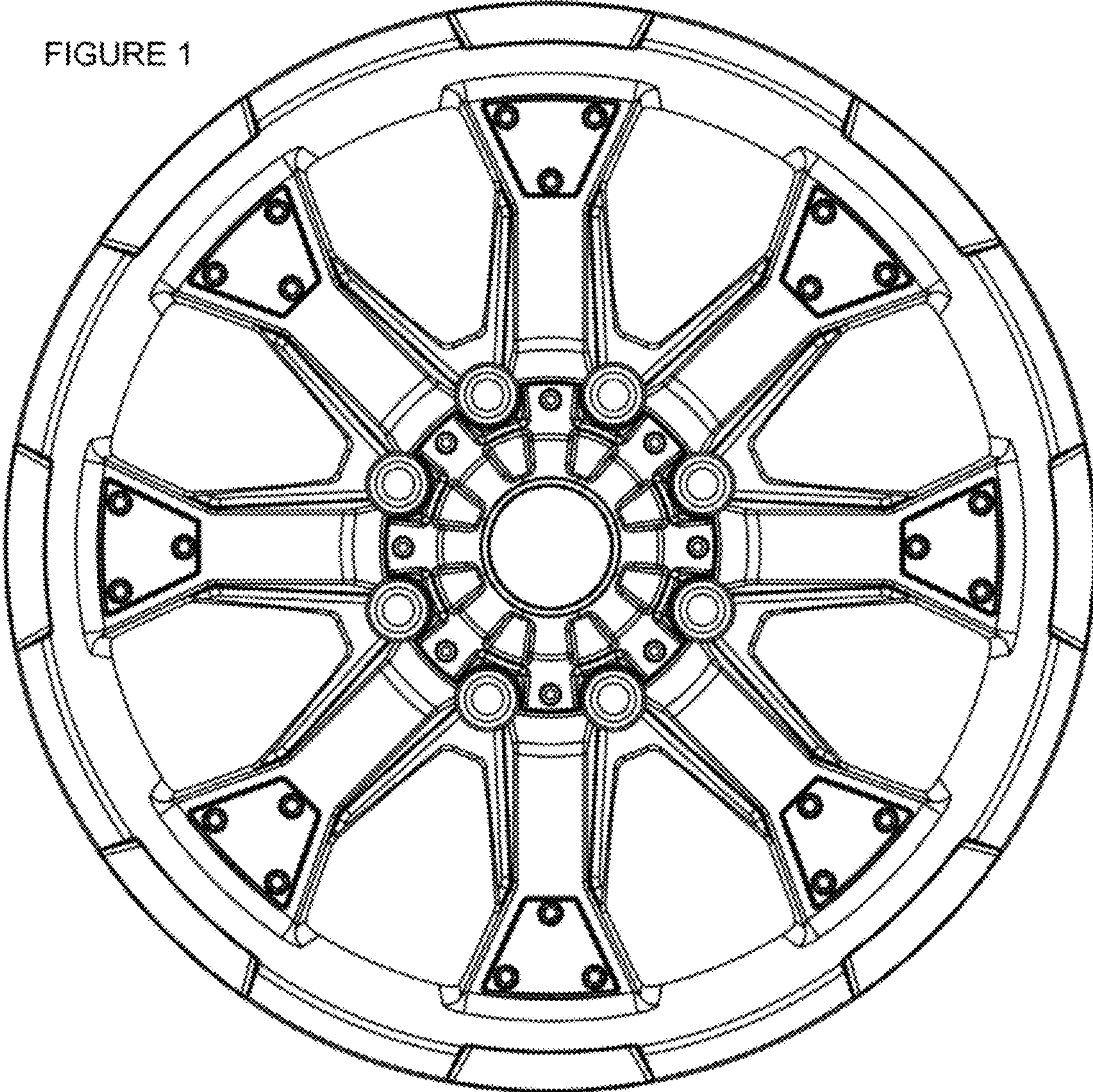


FIGURE 2

