



US00D675967S

(12) **United States Design Patent**  
**Takizawa et al.**

(10) **Patent No.:** **US D675,967 S**  
(45) **Date of Patent:** **\*\* Feb. 12, 2013**

(54) **REAR DOOR TRIM FOR AUTOMOBILE**

(75) Inventors: **Mikio Takizawa**, Kanagawa-ken (JP);  
**Ilwon Lee**, San Diego, CA (US)

(73) Assignee: **Nissan Jidosha Kabushiki Kaisha**,  
Kanagawa (JP)

(\*\*) Term: **14 Years**

(21) Appl. No.: **29/414,302**

(22) Filed: **Feb. 27, 2012**

(30) **Foreign Application Priority Data**

Dec. 28, 2011 (JP) ..... 2011-030461

(51) **LOC (9) Cl.** ..... **12-08**

(52) **U.S. Cl.** ..... **D12/195**

(58) **Field of Classification Search** ..... D12/195,  
D12/193, 414, 190, 196; 180/190; 280/750-752;  
296/190.01-191, 70, 193.08, 145, 153, 37.1-37.13,  
296/149, 146.1; D15/17, 28; D10/46, 98,  
D10/102-103; 49/501-502; D8/302-303  
See application file for complete search history.

(56) **References Cited**

**U.S. PATENT DOCUMENTS**

D382,528 S \* 8/1997 Hellhake et al. .... D12/195  
D497,337 S \* 10/2004 Takagi et al. .... D12/195  
D519,896 S \* 5/2006 Sudo ..... D12/195  
D529,850 S \* 10/2006 Yu et al. .... D12/195  
D531,101 S \* 10/2006 Yu et al. .... D12/195  
D533,821 S \* 12/2006 Tamagawa et al. .... D12/195

D534,470 S \* 1/2007 Tsuchiya et al. .... D12/195  
D534,849 S \* 1/2007 Tamagawa et al. .... D12/195  
D536,650 S \* 2/2007 Young et al. .... D12/195  
D577,645 S \* 9/2008 Wyszogrod et al. .... D12/195  
D577,646 S \* 9/2008 Wyszogrod et al. .... D12/195  
D607,802 S \* 1/2010 Collins et al. .... D12/195  
D615,017 S \* 5/2010 Smith ..... D12/195  
D616,348 S \* 5/2010 Rosenbohm ..... D12/195  
D633,022 S \* 2/2011 Hwang et al. .... D12/195  
D633,023 S \* 2/2011 Hwang et al. .... D12/195

\* cited by examiner

*Primary Examiner* — Katrina A Betton

(74) *Attorney, Agent, or Firm* — Fross Zelnick Lehrman &  
Zissu, P.C.; Charles T. J. Weigell, Esq.

(57) **CLAIM**

The ornamental design for a rear door trim for automobile, as shown and described.

**DESCRIPTION**

FIG. 1 is a perspective view of a rear door trim for automobile showing our new design;  
FIG. 2 is a perspective view thereof;  
FIG. 3 is a front view thereof;  
FIG. 4 is a left side view thereof;  
FIG. 5 is a right side view thereof;  
FIG. 6 is a top view thereof; and,  
FIG. 7 is a bottom view thereof.  
Rear view forms no part of the claimed portion of the design.

**1 Claim, 3 Drawing Sheets**

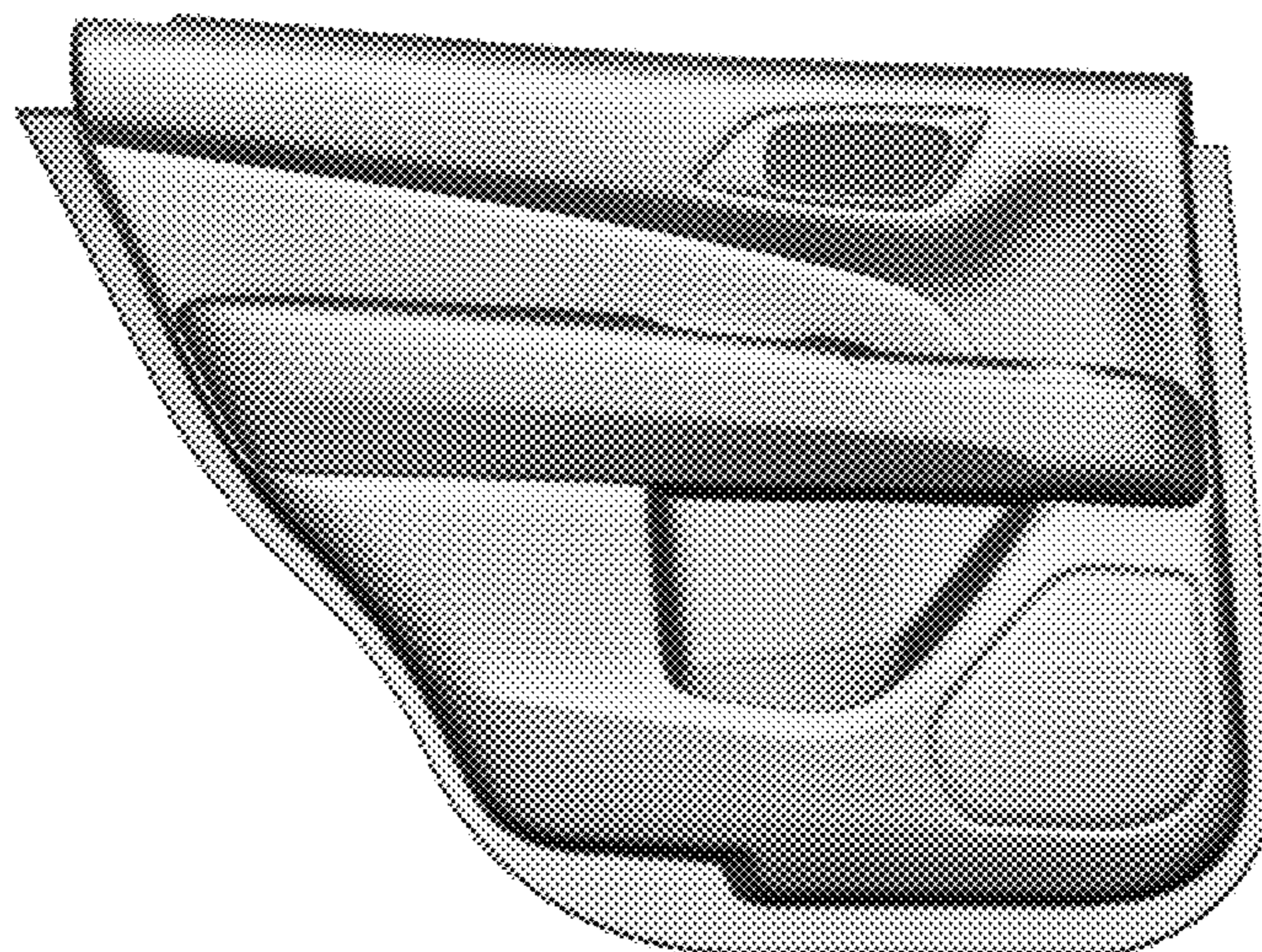






FIG. 1

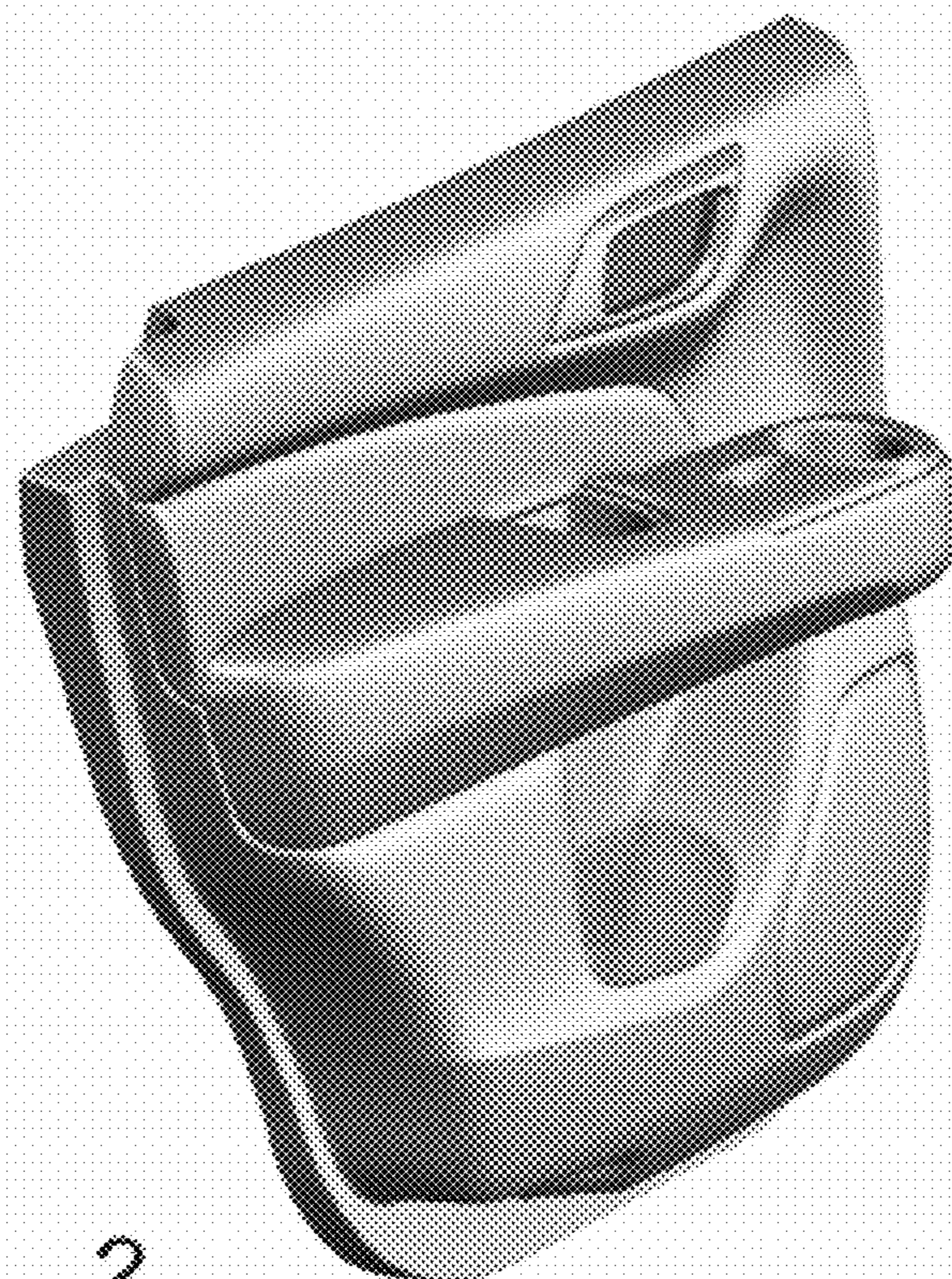


FIG. 2





FIG. 3



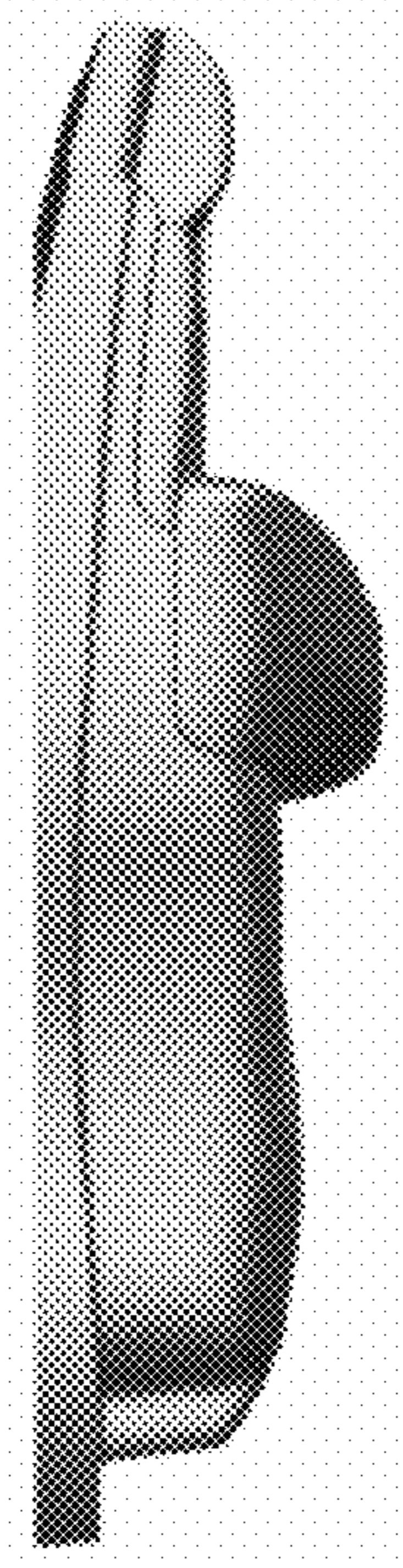


FIG. 4

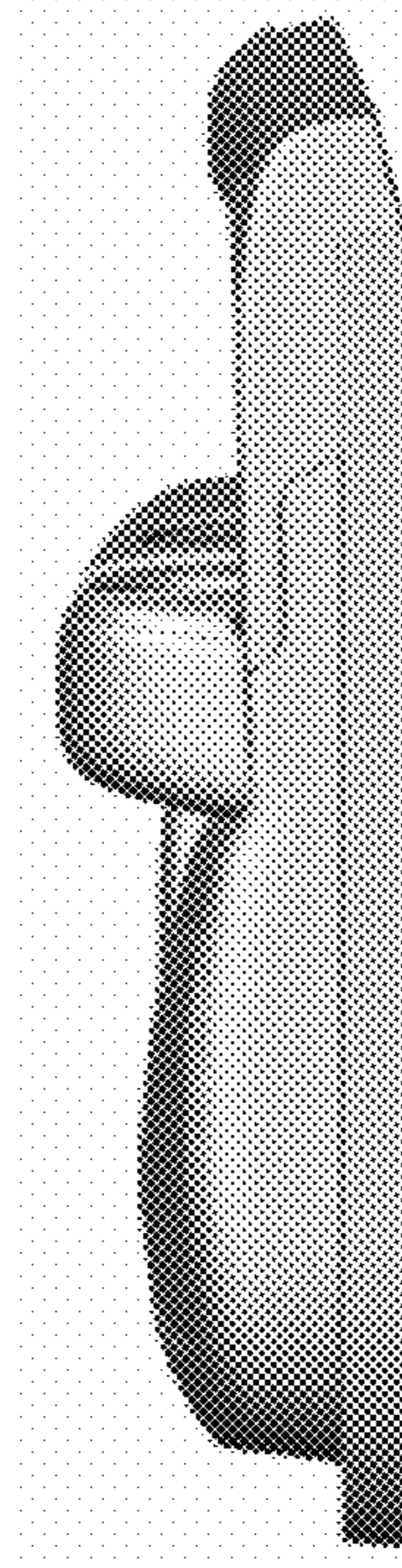


FIG. 5

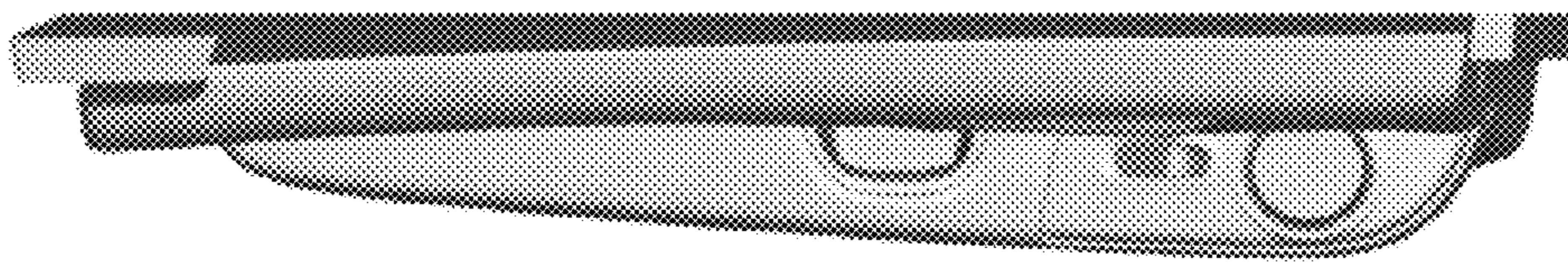


FIG. 6

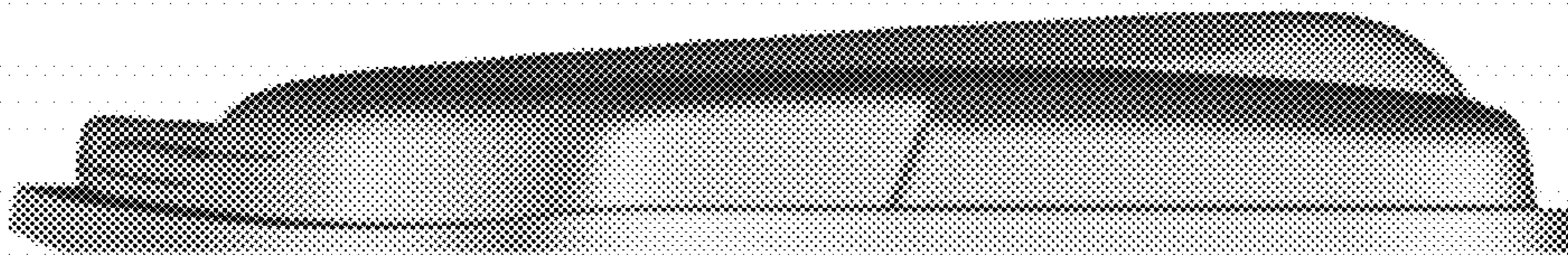


FIG. 7