

US00D675966S

(12) **United States Design Patent**
Nagafuchi

(10) **Patent No.:** **US D675,966 S**

(45) **Date of Patent:** **** Feb. 12, 2013**

(54) **FRONT BUMPER FOR AN AUTOMOBILE**

(75) Inventor: **Toshiyuki Nagafuchi**, Nagoya (JP)

(73) Assignee: **Toyota Jidosha Kabushiki Kaisha**,
Toyota-shi (JP)

(**) Term: **14 Years**

(21) Appl. No.: **29/403,039**

(22) Filed: **Sep. 30, 2011**

(51) **LOC (9) Cl.** **12-16**

(52) **U.S. Cl.** **D12/169**

(58) **Field of Classification Search** D12/163,
D12/171, 196, 216, 90-92, 86, 164, 169;
293/102, 103, 105, 112, 113, 115, 117; 296/180.1,
296/180.2

See application file for complete search history.

(56) **References Cited**

U.S. PATENT DOCUMENTS

D647,438 S * 10/2011 Nemoto et al. D12/169
D664,904 S * 8/2012 Koyama et al. D12/169

OTHER PUBLICATIONS

Catalog of Toyota IQ; Publisher: Toyota; Oct. 2008.

Catalog of Citroen DS3; Publisher: Peugeot Citroen Japon Co., Ltd.;
Jun. 3, 2010.

Renault Twingo, Motor Fan separate volute, All About Compact Car
2010; Publisher: San-Ei Shobo, Dec. 2010.

* cited by examiner

Primary Examiner — Melody N Brown

(74) *Attorney, Agent, or Firm* — Finnegan, Henderson,
Farabow, Garrett & Dunner, LLP

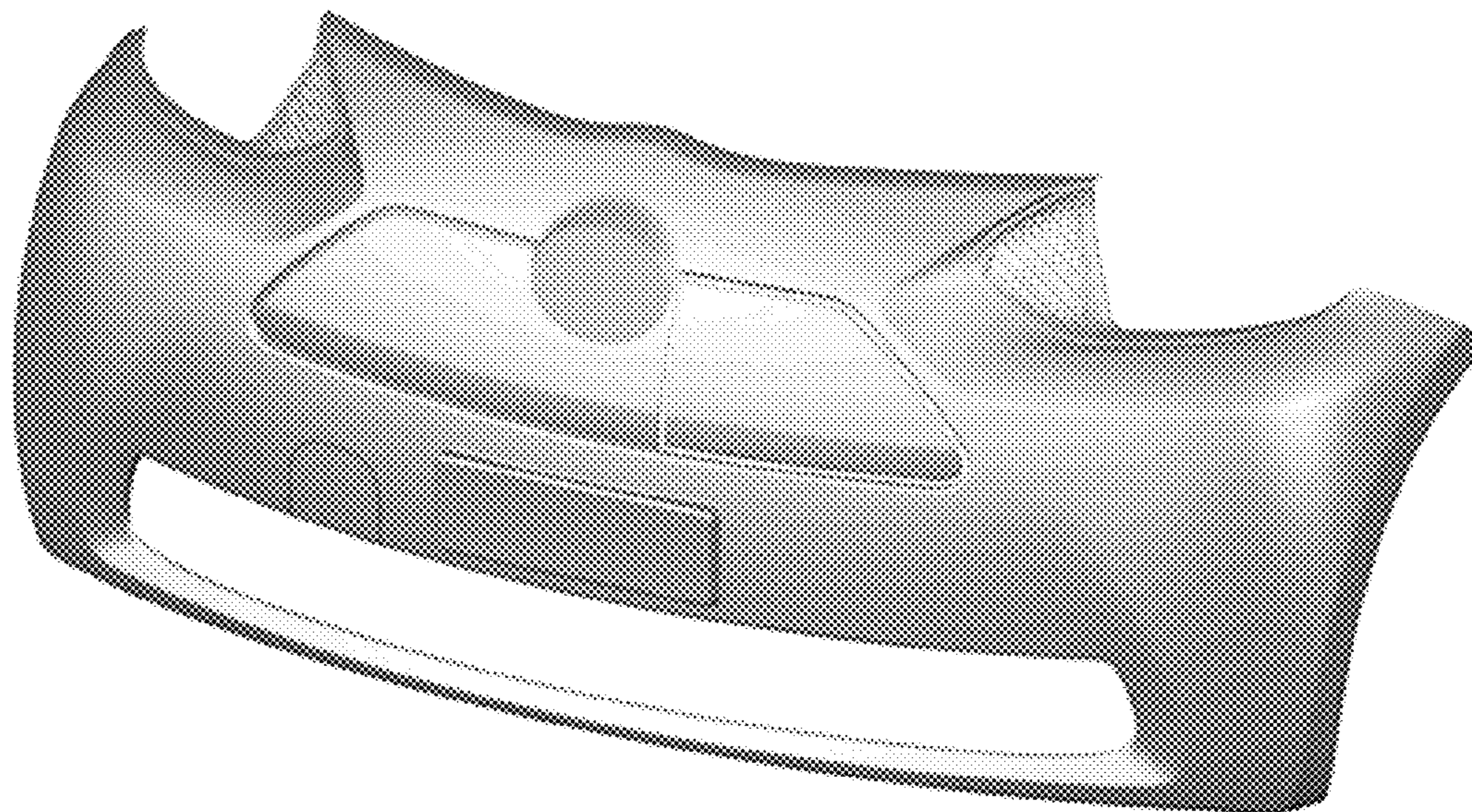
(57) **CLAIM**

The ornamental design for a front bumper for an automobile,
as shown and described.

DESCRIPTION

FIG. 1 is a front perspective view of a front bumper for an
automobile of my new design;
FIG. 2 is a front view thereof;
FIG. 3 is a rear view thereof;
FIG. 4 is a top plan thereof;
FIG. 5 is a bottom view thereof;
FIG. 6 is a left side view thereof; and,
FIG. 7 is a right side view thereof.

1 Claim, 4 Drawing Sheets



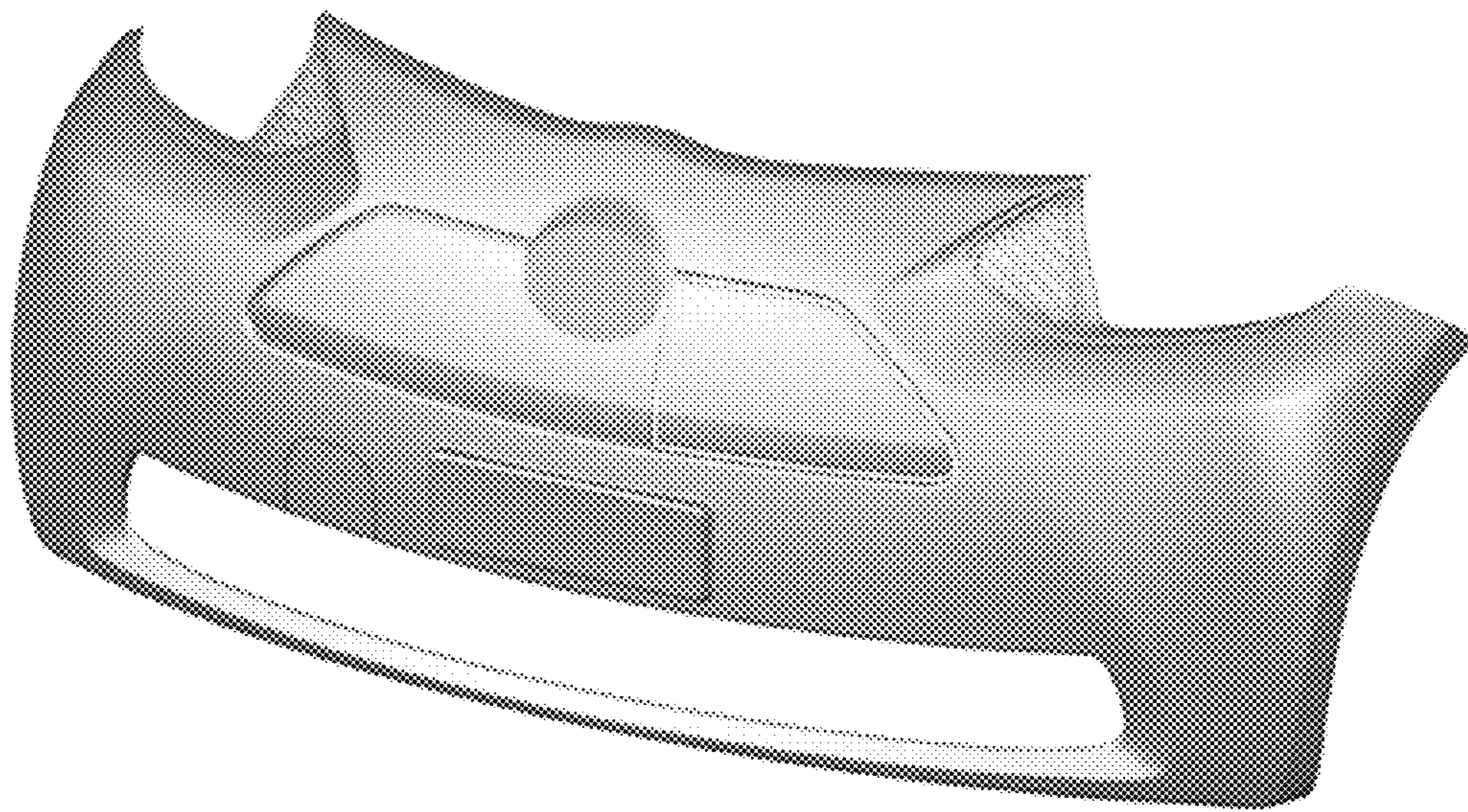


FIG. 1

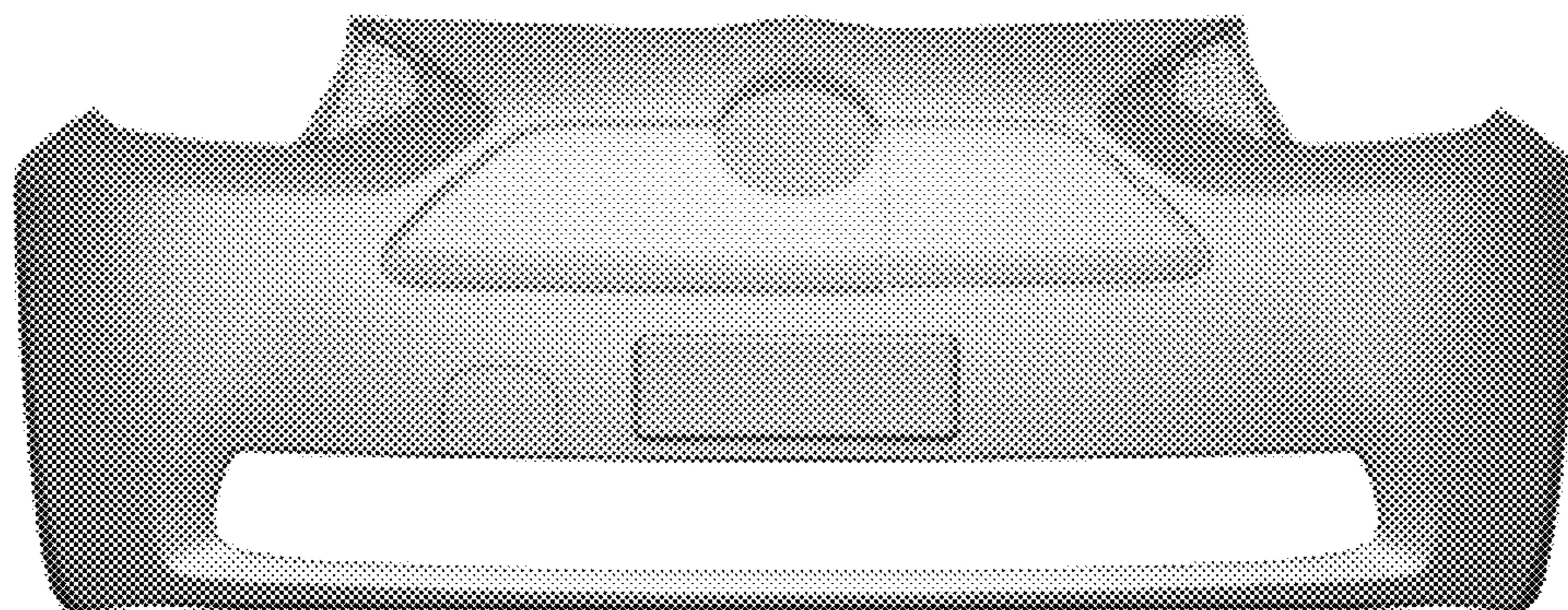


FIG. 2

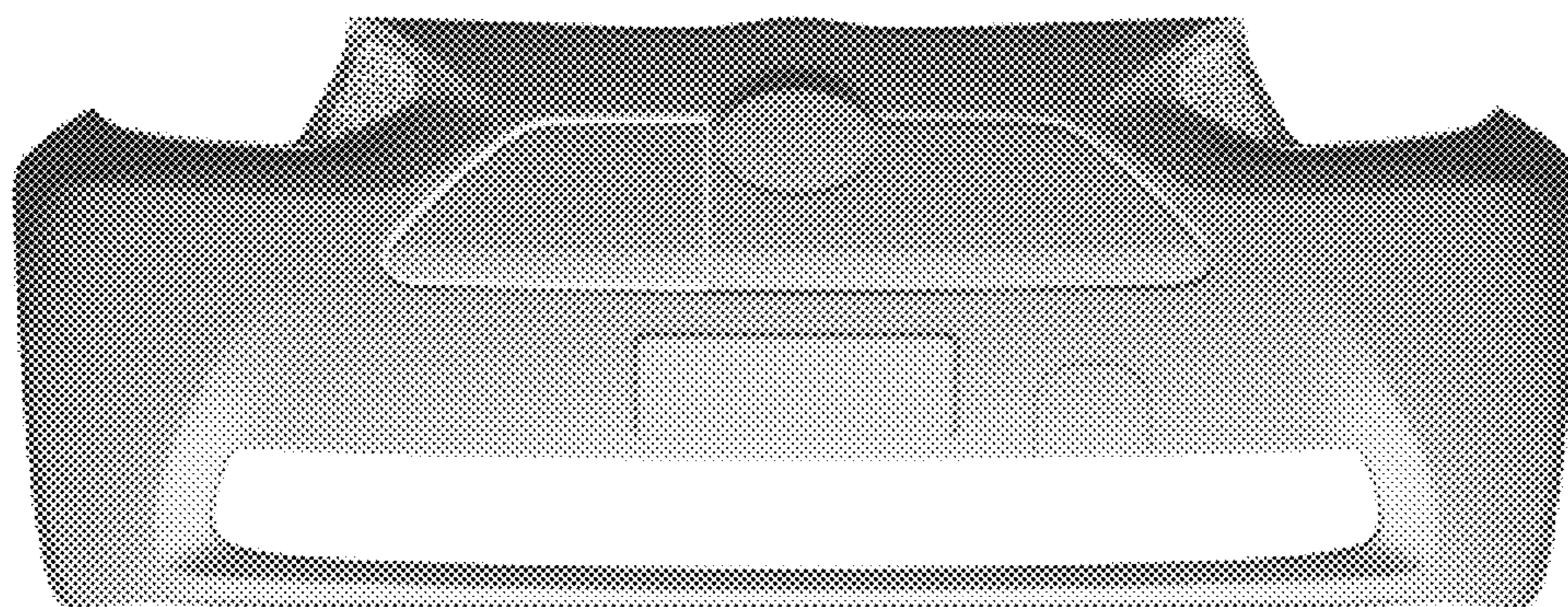


FIG. 3

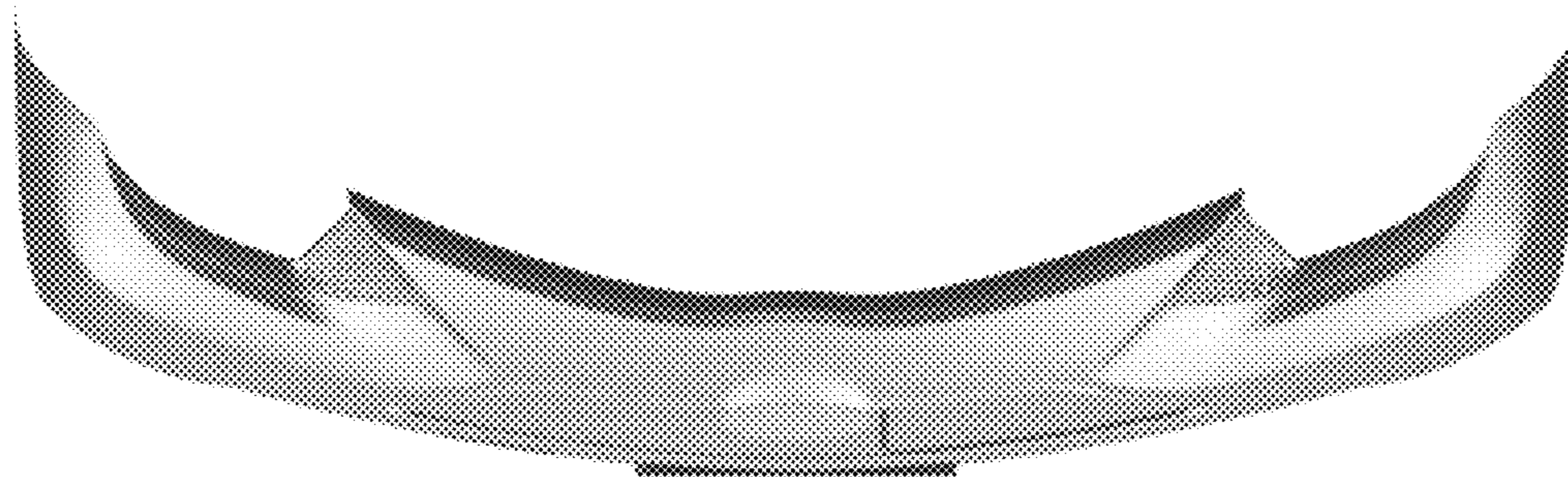


FIG. 4

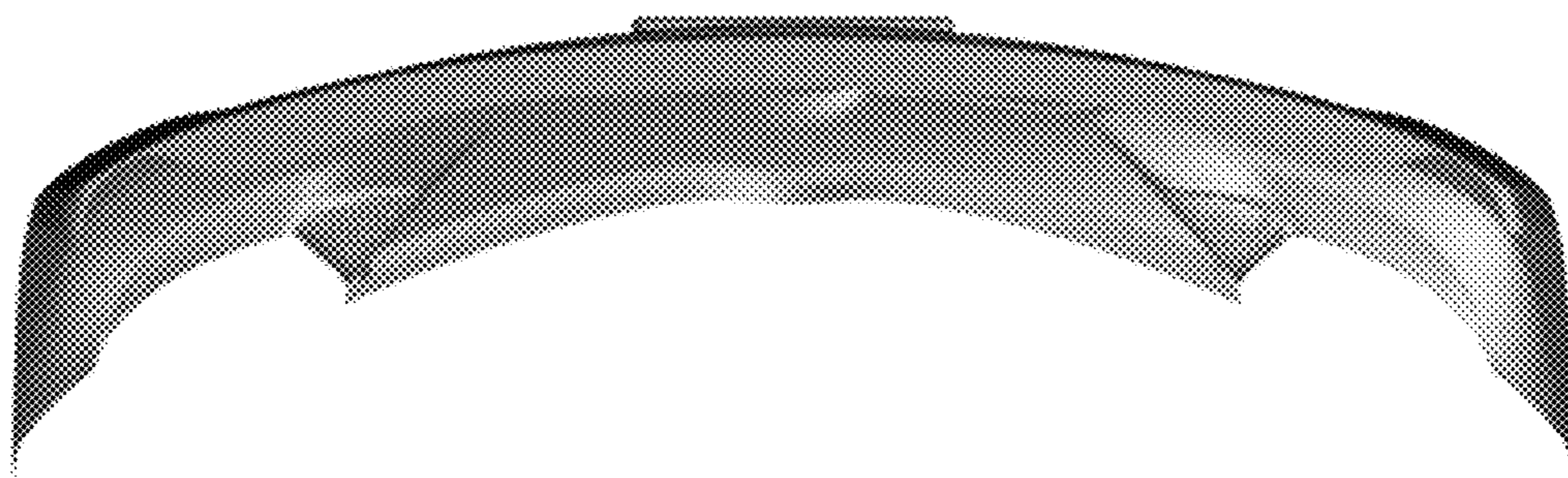


FIG. 5

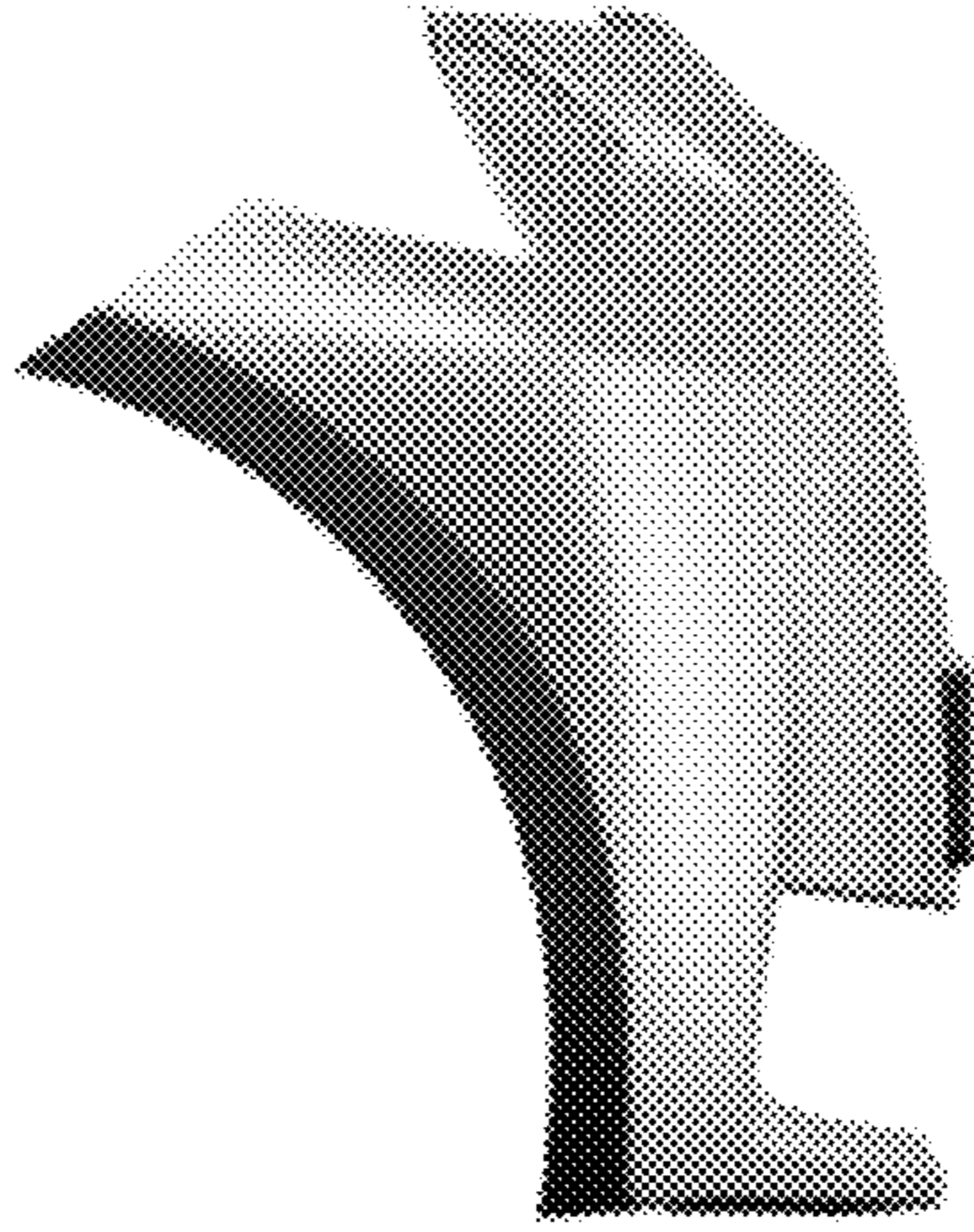


FIG. 6

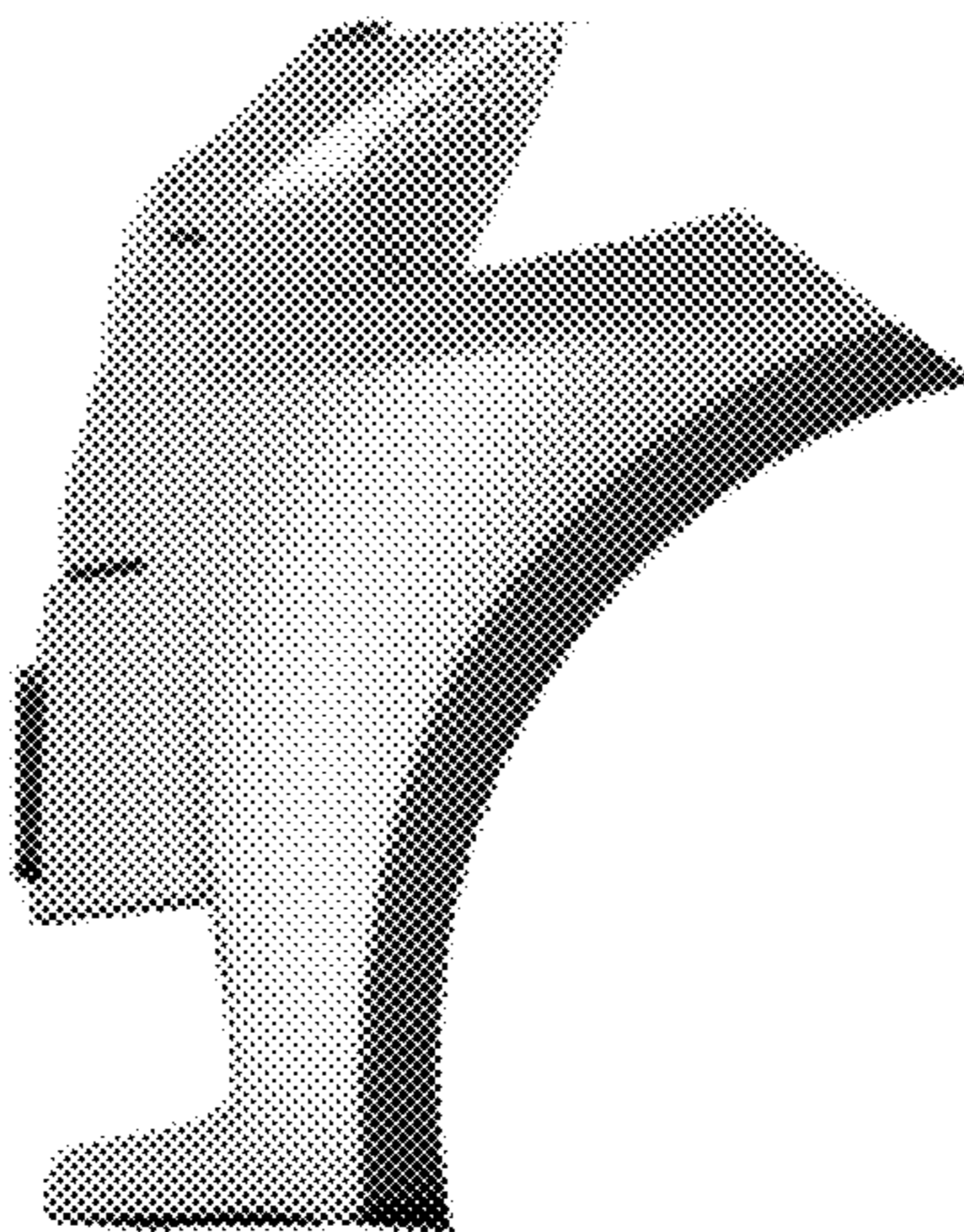


FIG. 7