



US00D675964S

(12) **United States Design Patent**  
**Mirabal**

(10) **Patent No.:** **US D675,964 S**

(45) **Date of Patent:** **\*\* Feb. 12, 2013**

(54) **ROCKER BOX**

(75) Inventor: **Reuben Mirabal**, St. Louis, MO (US)

(73) Assignee: **Midwest Motorcycle Supply Distributors Corp.**, Pevely, MO (US)

(\*\*) Term: **14 Years**

(21) Appl. No.: **29/405,841**

(22) Filed: **Nov. 7, 2011**

(51) **LOC (9) Cl.** ..... **12-11**

(52) **U.S. Cl.** ..... **D12/126**

(58) **Field of Classification Search** ..... D12/126,  
D12/110, 114; D15/1-5, 149; 123/90.38,  
123/90.4, 90.41, 41.86, 65 R, 189, 193.5,  
123/195 C, 198 E, 195 A, 195 R, 198 P, 198 R,  
123/311; 280/288.4; 180/219, 231  
See application file for complete search history.

(56) **References Cited**

U.S. PATENT DOCUMENTS

D277,756 S *	2/1985	Davidson	.....	D15/1
D347,810 S *	6/1994	Matthies	.....	D12/126
D408,828 S *	4/1999	Golden et al.	.....	D12/126
D426,792 S *	6/2000	Reed	.....	D12/126
D514,035 S *	1/2006	Francis	.....	D12/126
D584,193 S *	1/2009	Massicotte et al.	.....	D12/126
7,478,695 B2 *	1/2009	Leppanen et al.	.....	180/219

\* cited by examiner

*Primary Examiner* — Susan M Lee

*Assistant Examiner* — Linda G. Brooks

(74) *Attorney, Agent, or Firm* — Thompson Coburn LLP

(57) **CLAIM**

The ornamental design for a rocker box, as shown and described.

**DESCRIPTION**

FIG. 1 is a front view of the rocker box showing my new design.

FIG. 2 is a top view of the rocker box.

FIG. 3 is a right side view of the rocker box.

FIG. 4 is a perspective view showing the top right and front of the rocker box.

FIG. 5 is a rear view of the rocker box.

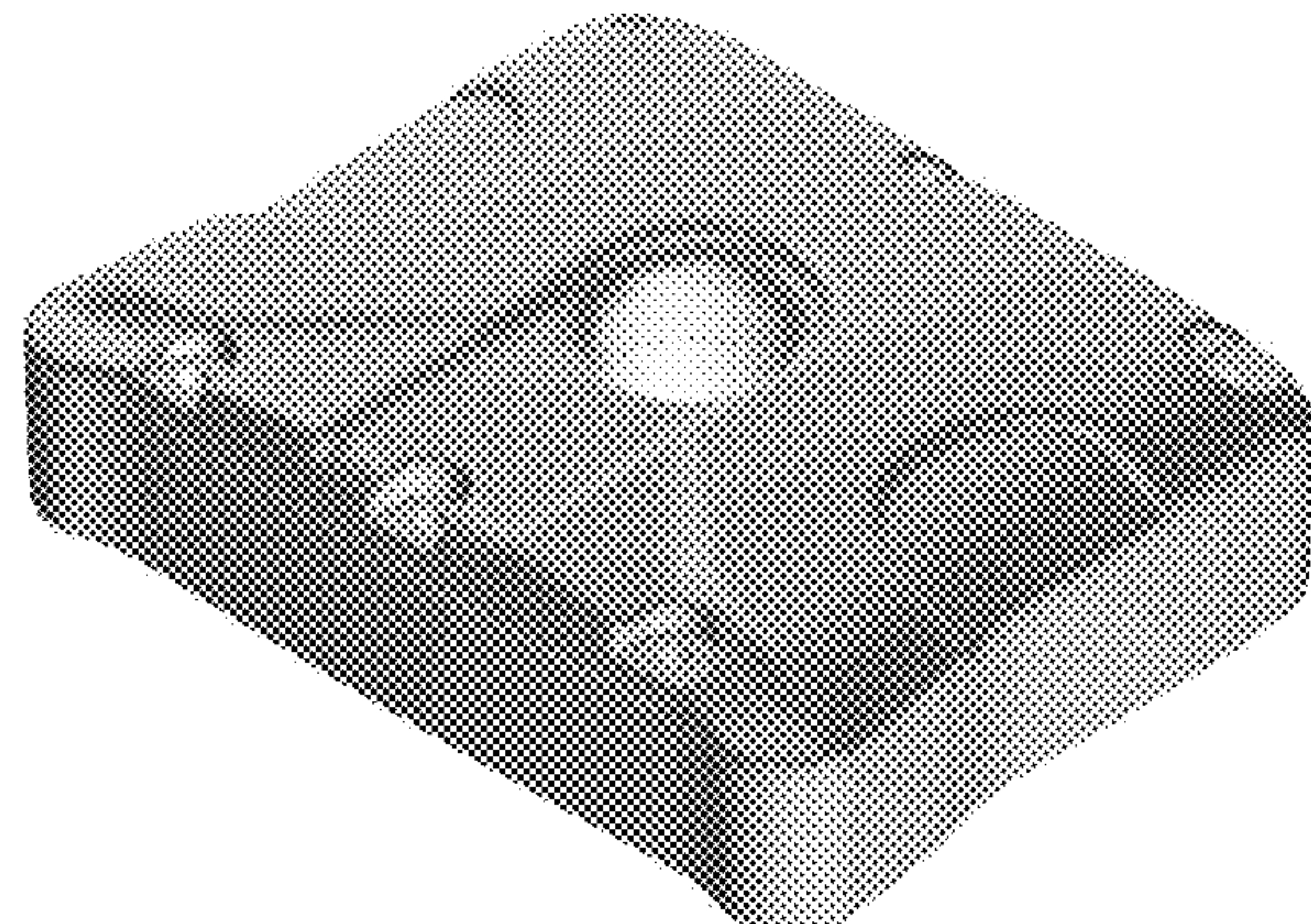
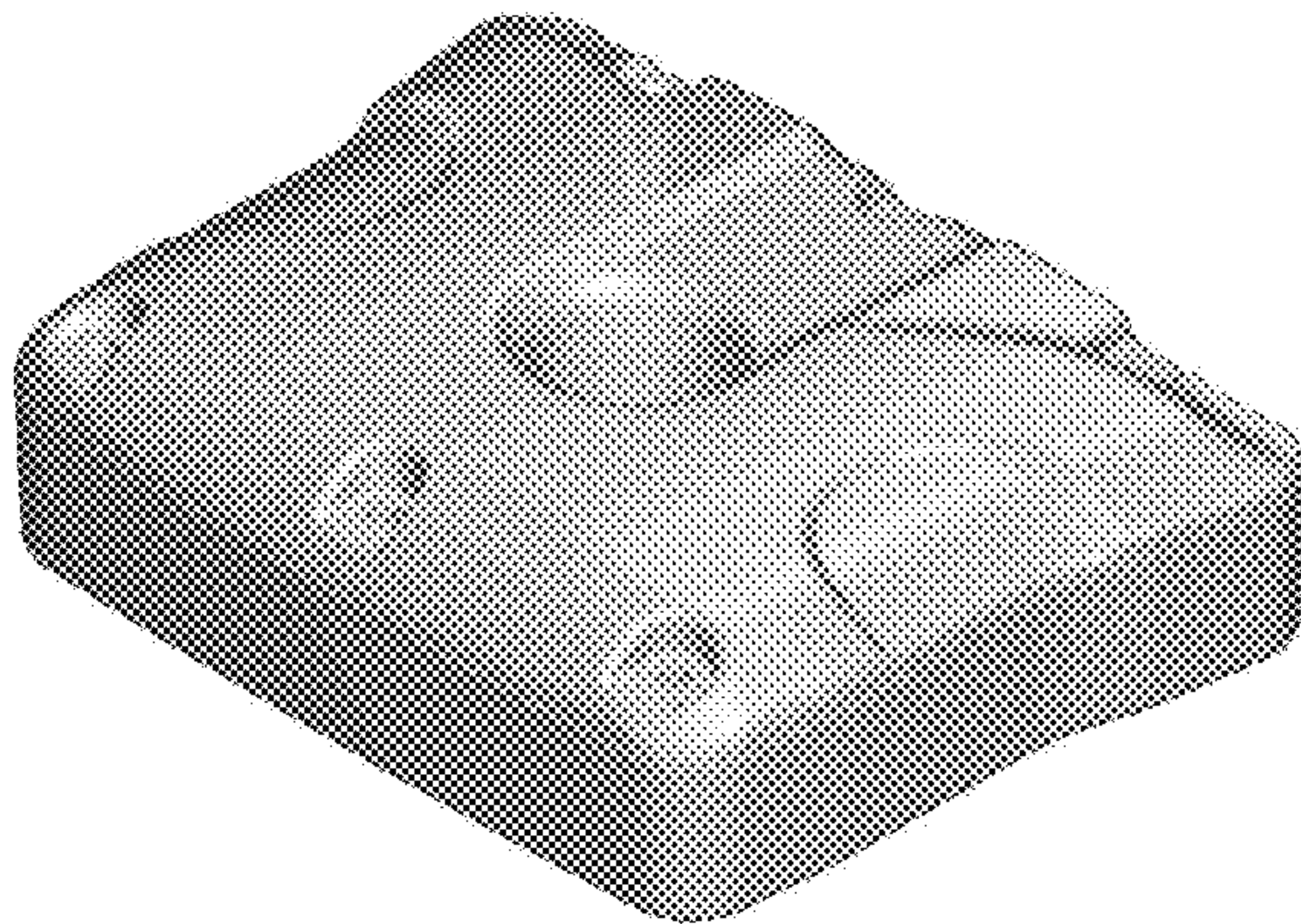
FIG. 6 is a perspective view showing the top rear and right sides of the rocker box.

FIG. 7 is a bottom view of the rocker box.

FIG. 8 is a perspective view showing the bottom left and front sides of the rocker box; and,

FIG. 9 is a perspective view showing the bottom rear and right sides of the rocker box.

**1 Claim, 5 Drawing Sheets**





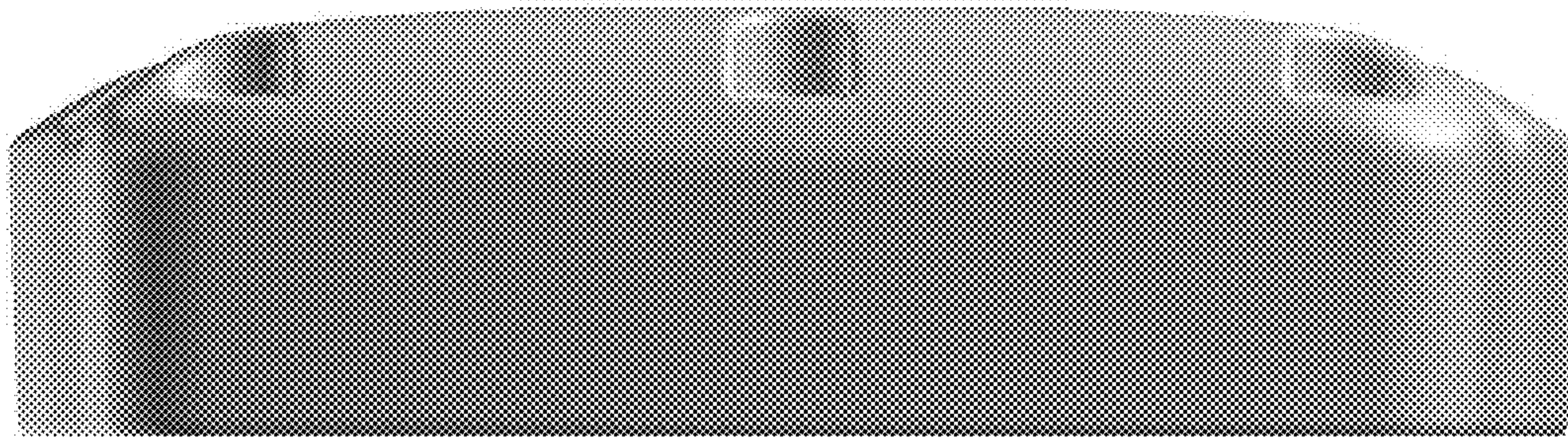


FIG. 1

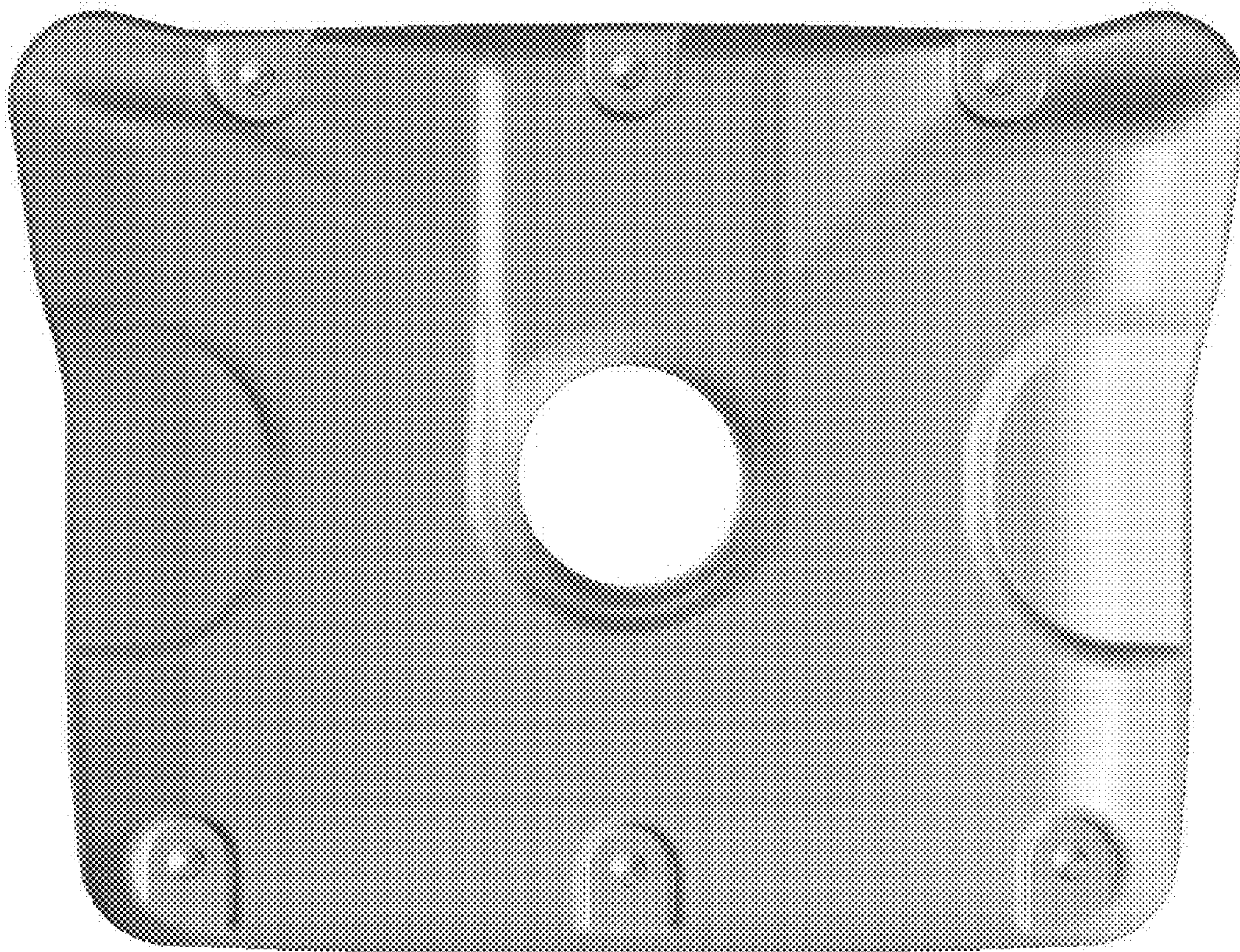


FIG. 2



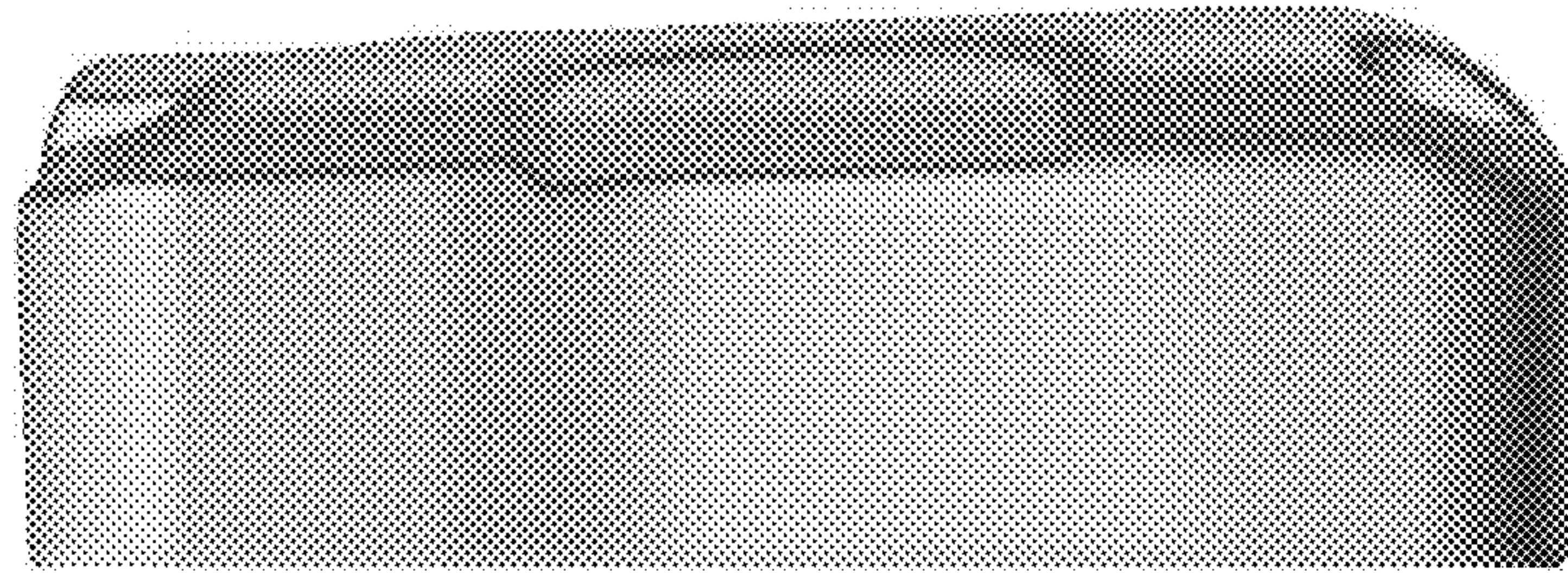


FIG. 3

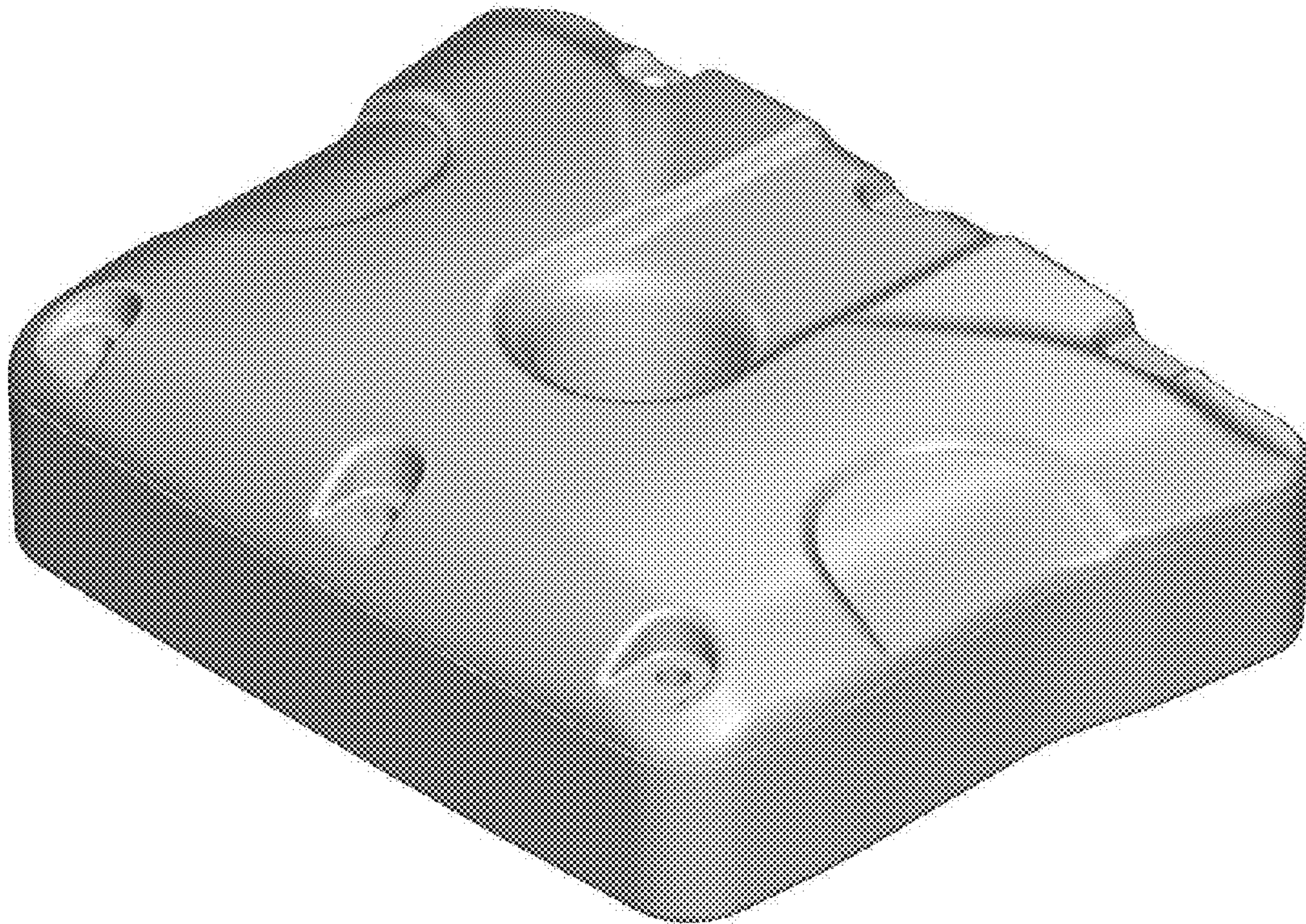


FIG. 4



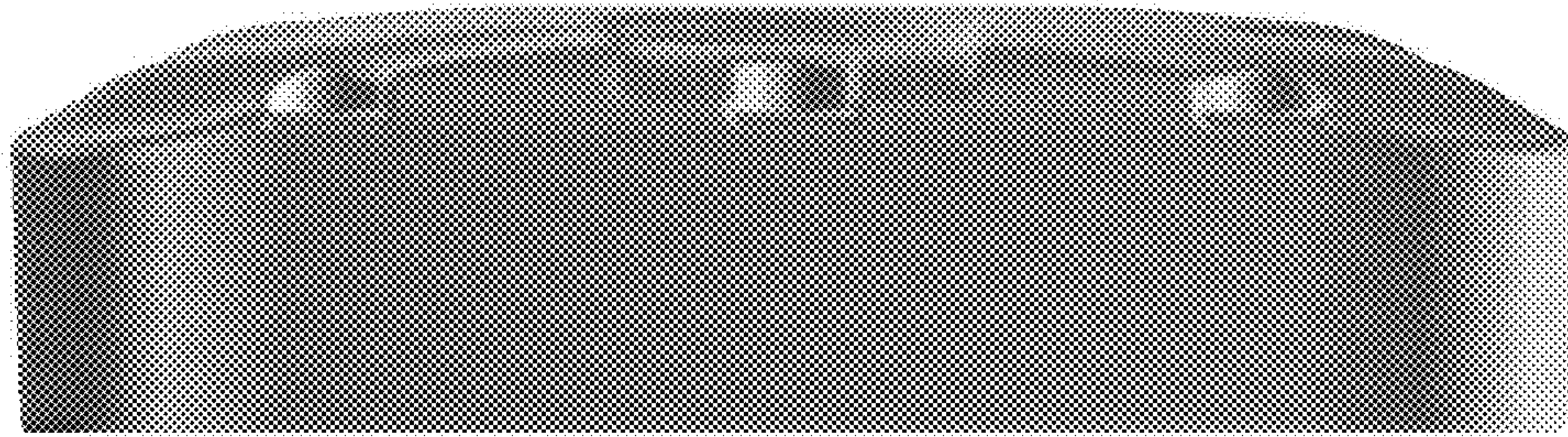


FIG. 5

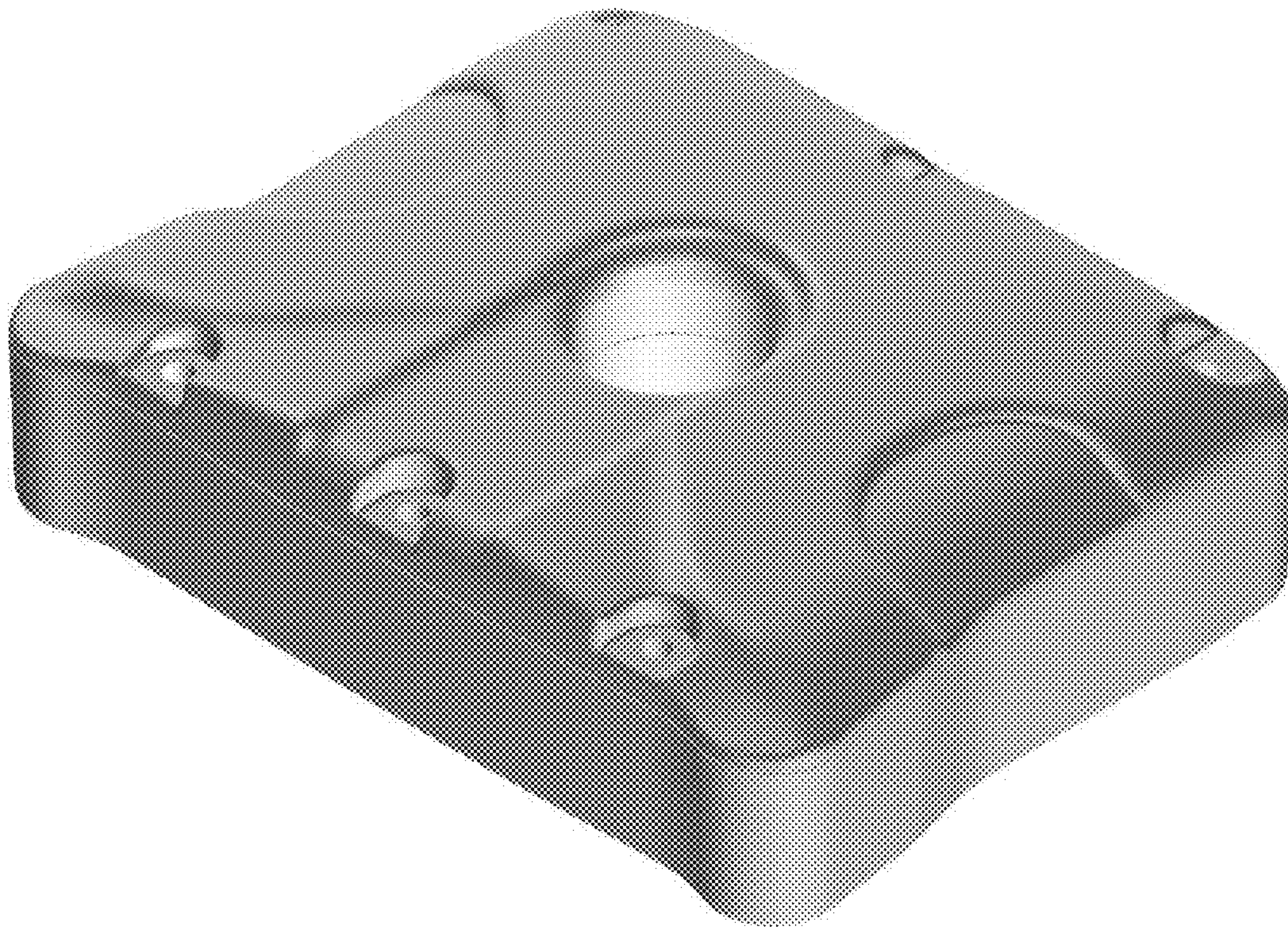


FIG. 6



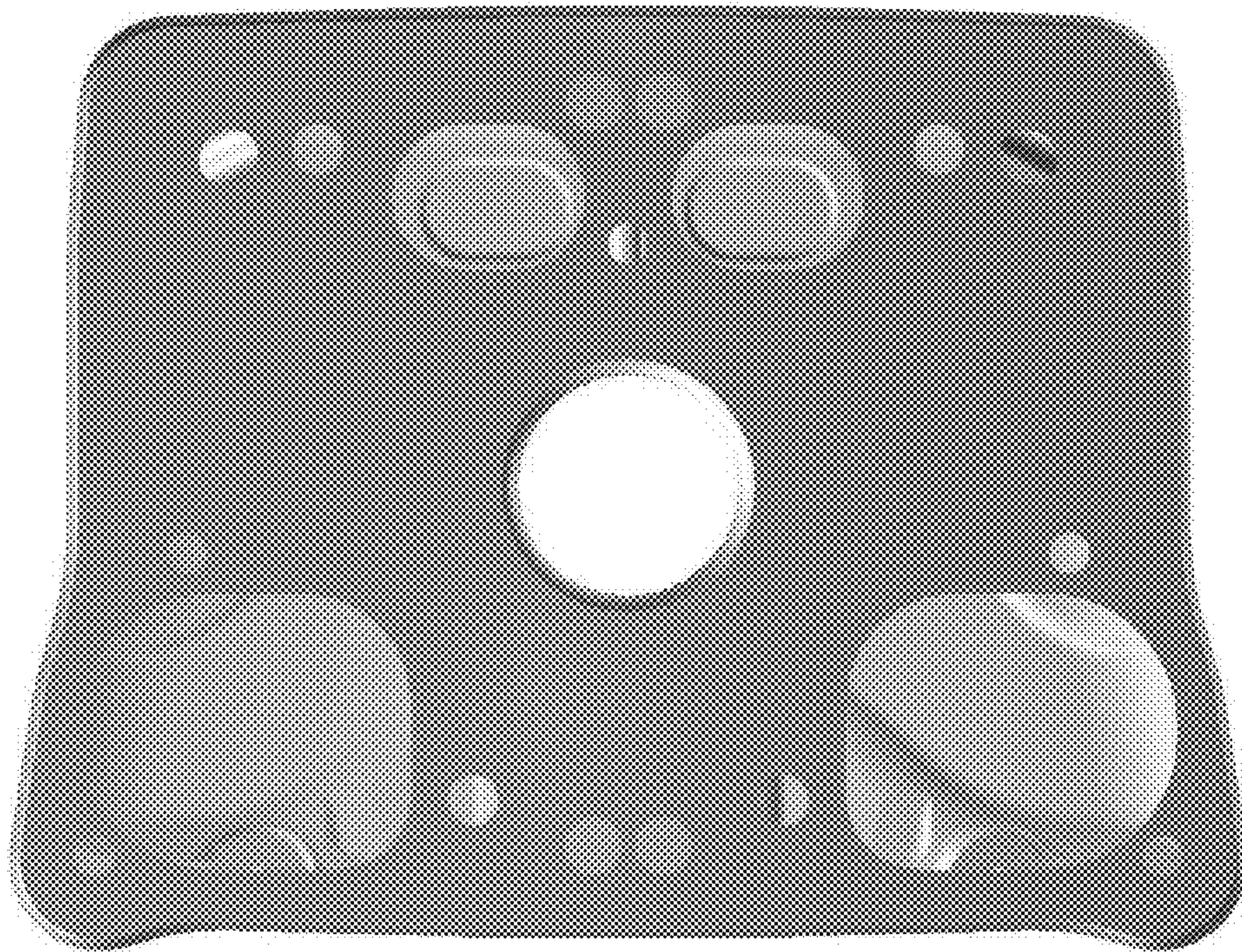


FIG. 7

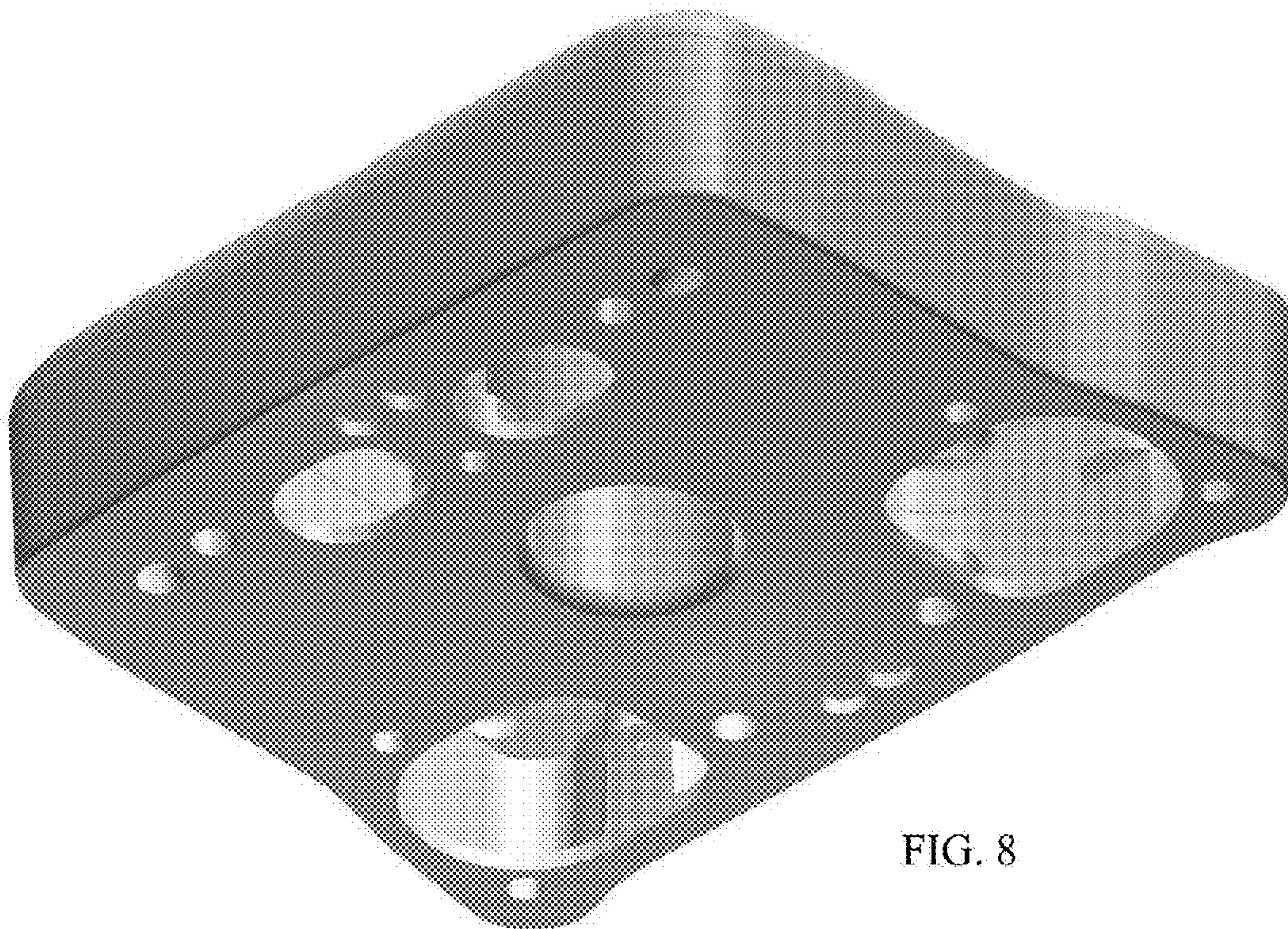


FIG. 8



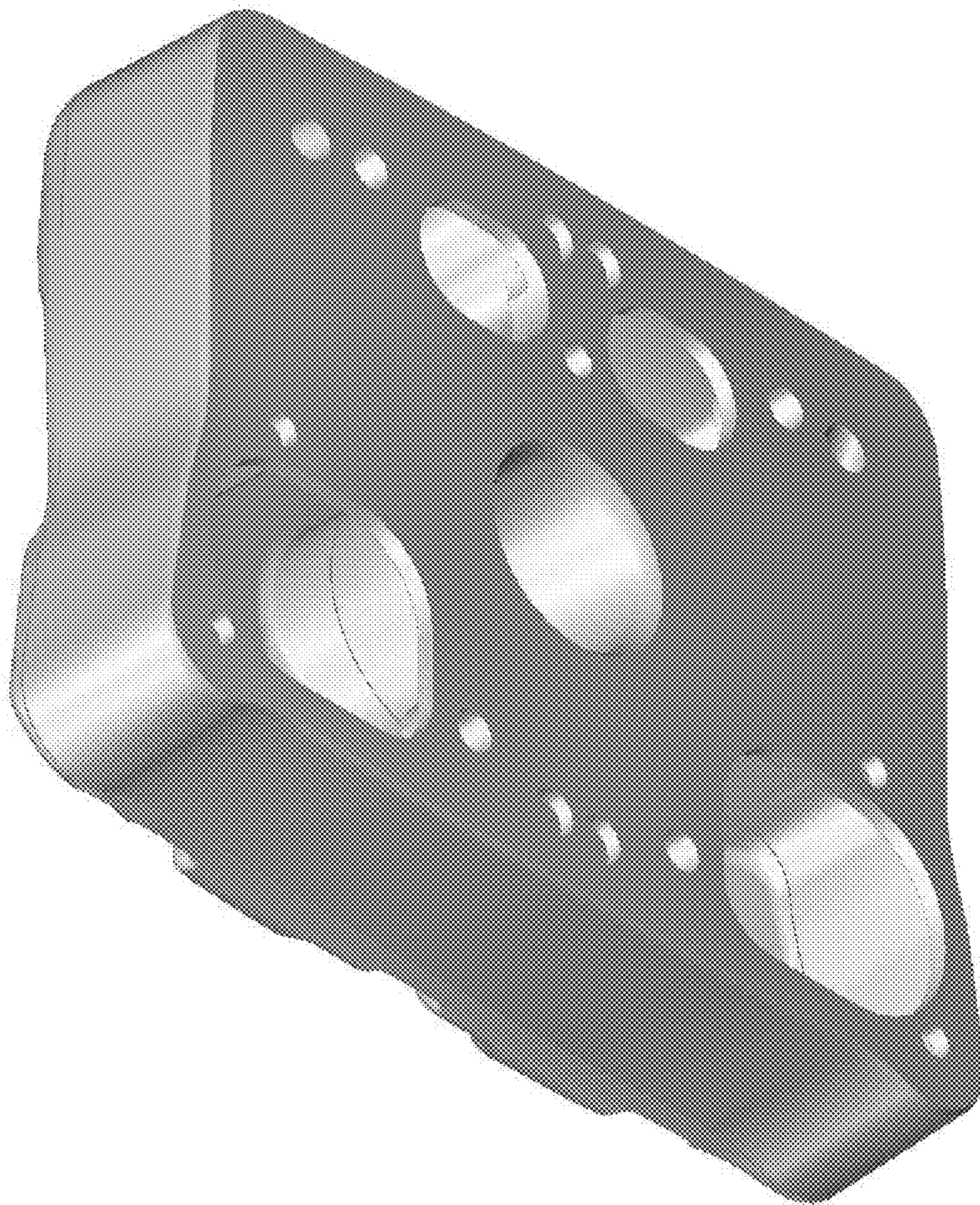


FIG. 9