



US00D675963S

(12) **United States Design Patent**
Noborio

(10) **Patent No.:** **US D675,963 S**

(45) **Date of Patent:** **** Feb. 12, 2013**

(54) **BICYCLE REAR DERAILLEUR**

(75) Inventor: **Daisuke Noborio**, Osaka (JP)

(73) Assignee: **Shimano Inc.**, Osaka (JP)

(**) Term: **14 Years**

(21) Appl. No.: **29/403,066**

(22) Filed: **Sep. 30, 2011**

(51) **LOC (9) Cl.** **12-11**

(52) **U.S. Cl.** **D12/124**

(58) **Field of Classification Search** D12/124,
D12/111; 474/78-82, 140

See application file for complete search history.

(56) **References Cited**

U.S. PATENT DOCUMENTS

D432,056 S	*	10/2000	Hanamura	D12/124
D534,102 S	*	12/2006	Arakawa	D12/124
D534,103 S	*	12/2006	Arakawa	D12/124
D534,460 S	*	1/2007	Hanamura	D12/124
D536,282 S	*	2/2007	Masui	D12/124
D551,131 S	*	9/2007	Arakawa	D12/124
D580,304 S	*	11/2008	Okada	D12/124
D581,321 S	*	11/2008	Pang	D12/124
D617,690 S	*	6/2010	Tokumoto	D12/124

* cited by examiner

Primary Examiner — Susan M Lee

Assistant Examiner — Linda G. Brooks

(74) *Attorney, Agent, or Firm* — Global IP Counselors, LLP

(57) **CLAIM**

The ornamental design for a bicycle rear derailleur, as shown and described.

DESCRIPTION

FIG. 1 is a front side elevational view of a bicycle rear derailleur in accordance with my new design;
 FIG. 2 is a rear side elevational view of the bicycle rear derailleur illustrated in FIG. 1;
 FIG. 3 is a right side elevational view of the bicycle rear derailleur illustrated in FIG. 1;
 FIG. 4 is a left side elevational view of the bicycle rear derailleur illustrated in FIG. 1;
 FIG. 5 is a top plan view of the bicycle rear derailleur illustrated in FIG. 1; and,
 FIG. 6 is a bottom plan view of the bicycle rear derailleur illustrated in FIG. 1.

1 Claim, 5 Drawing Sheets

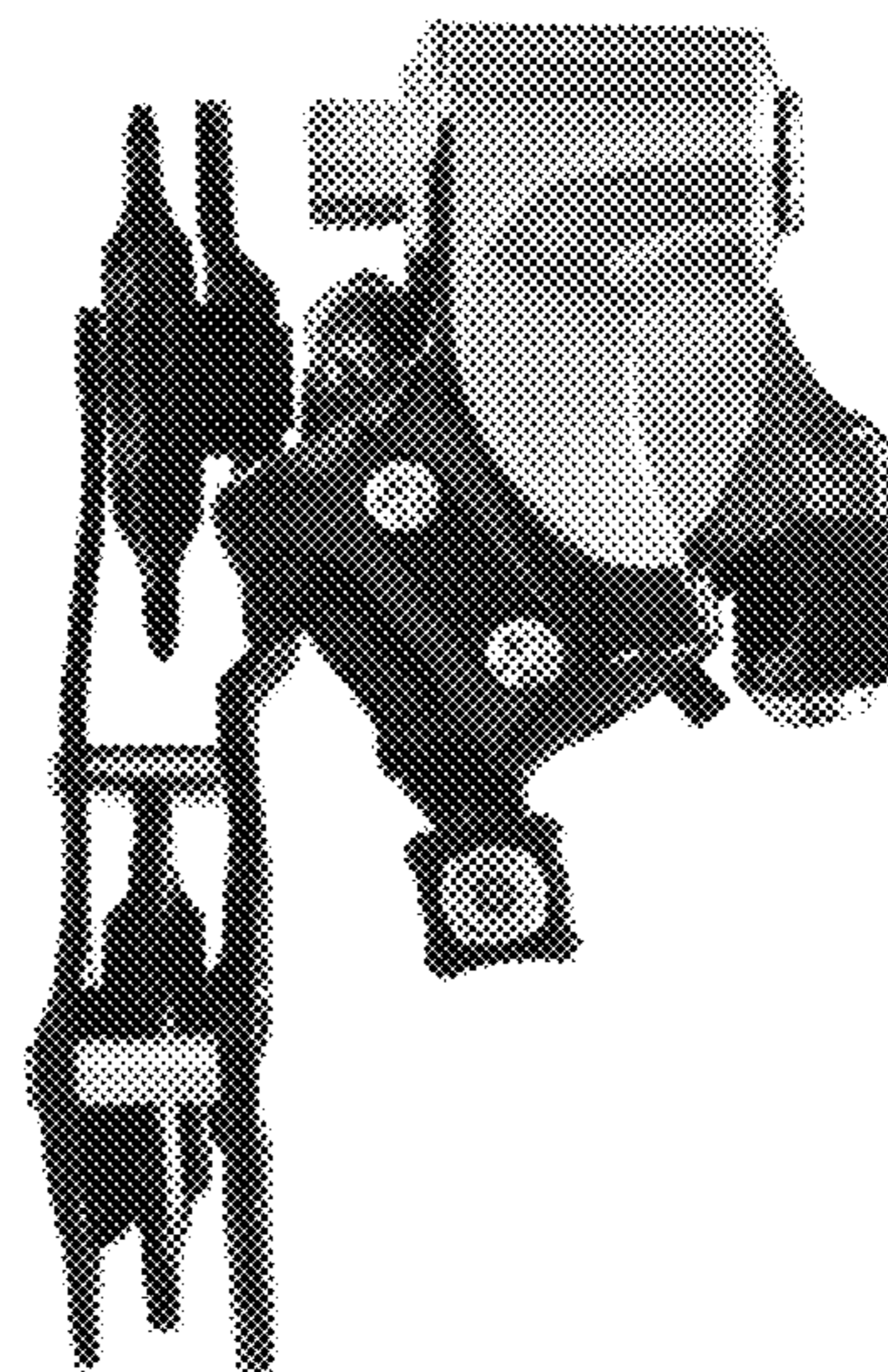
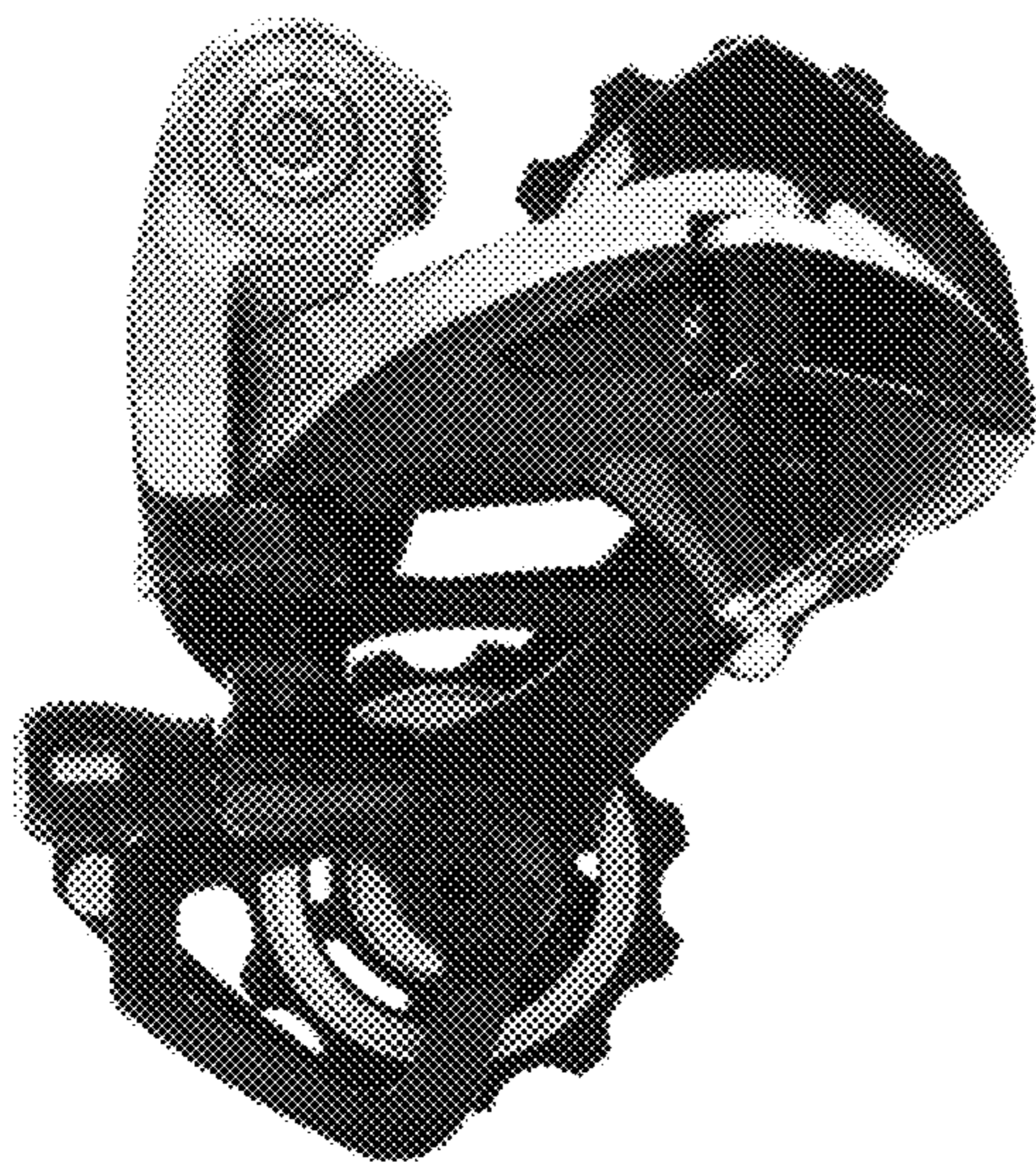




FIG. 1



FIG. 2

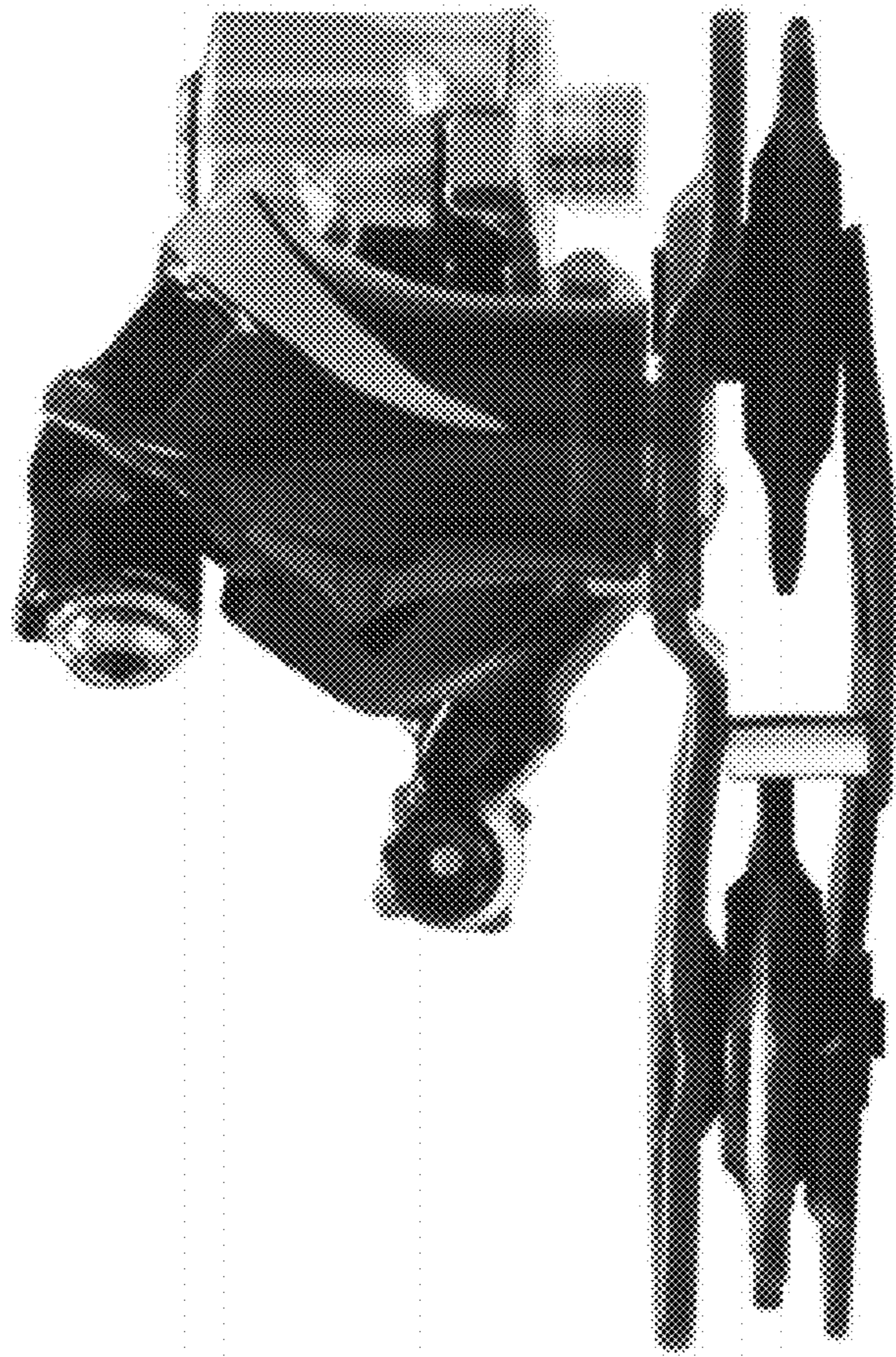


FIG. 3

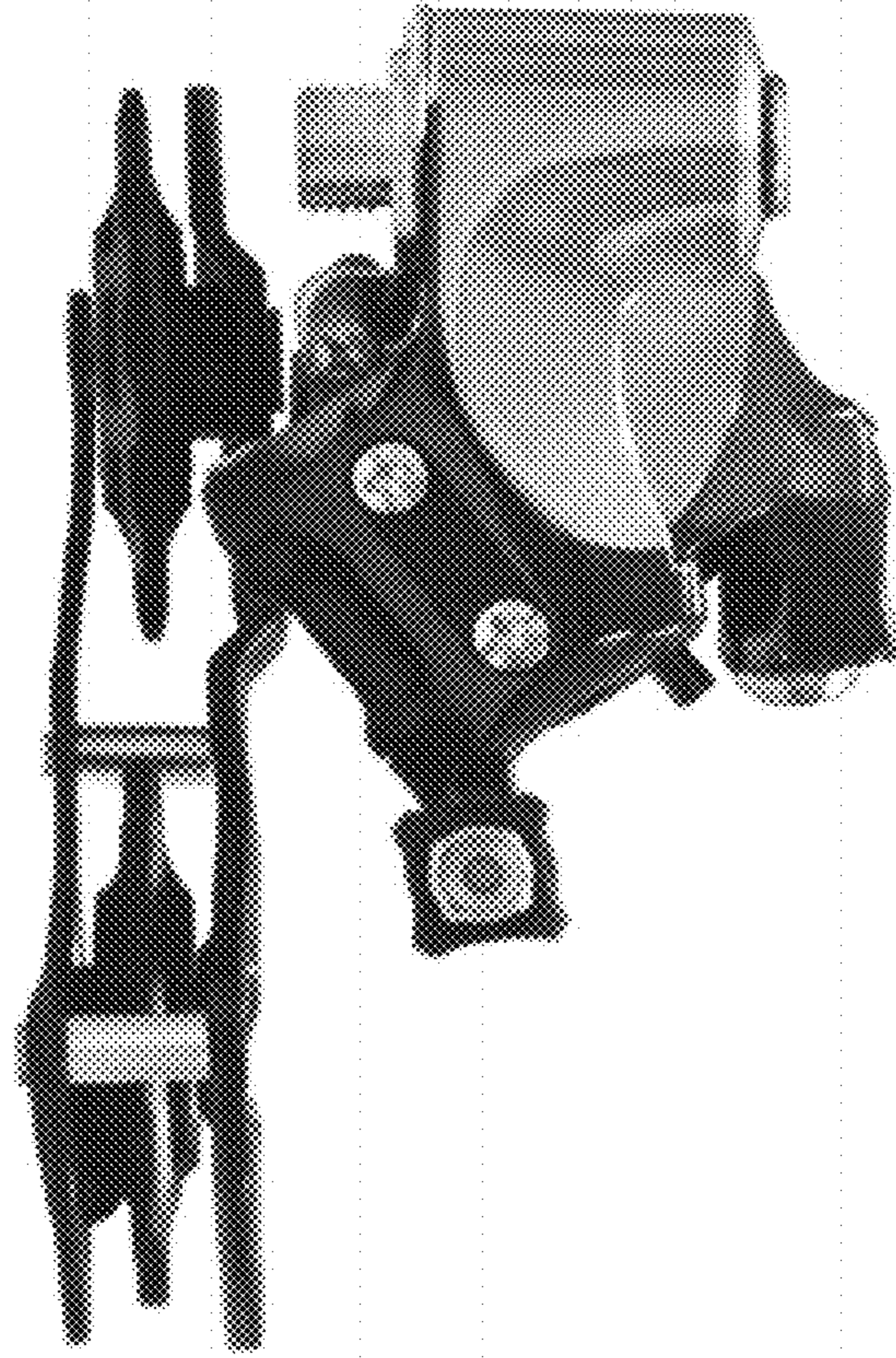


FIG. 4

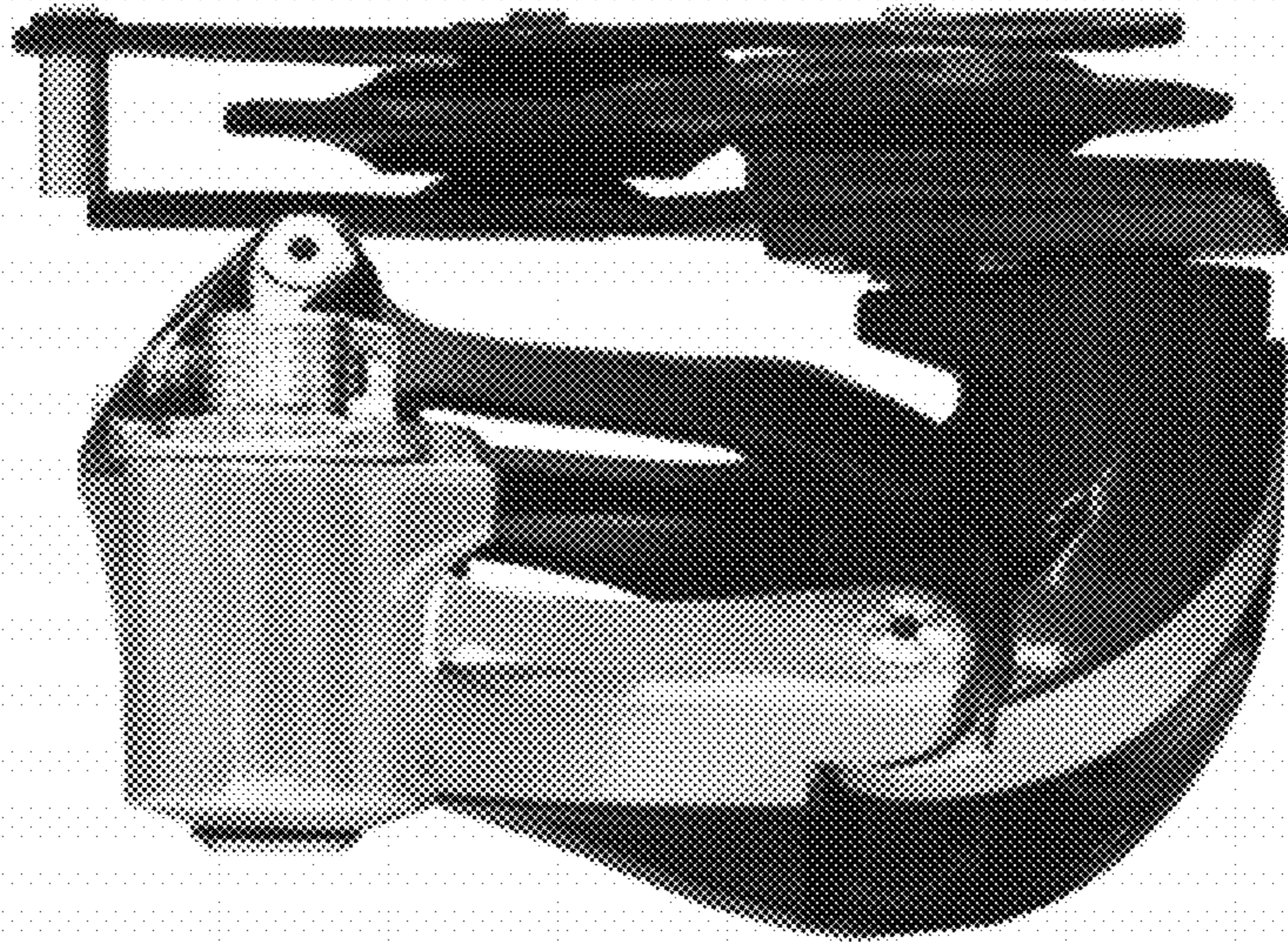


FIG. 5

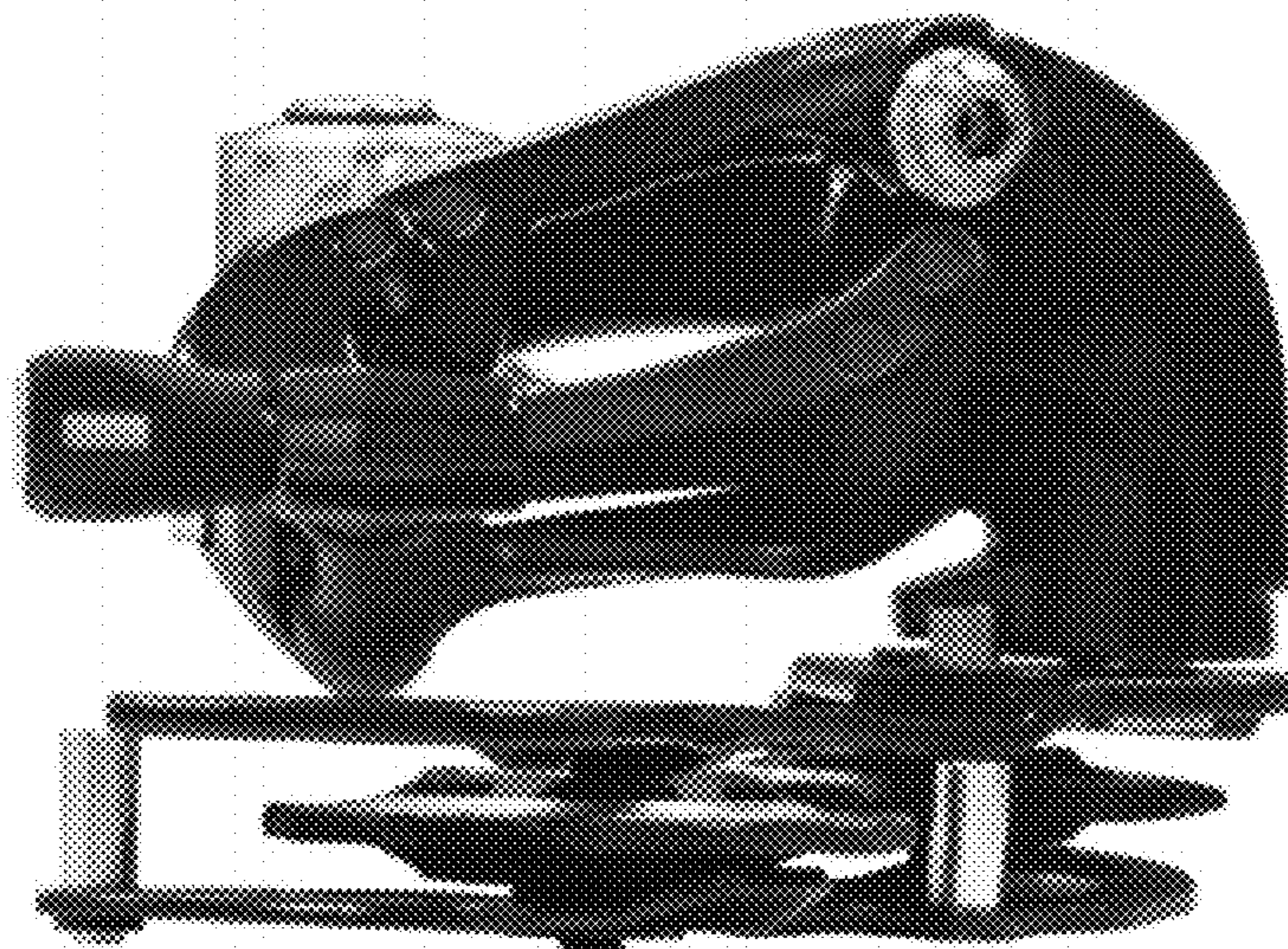


FIG. 6