



US00D675960S

(12) **United States Design Patent**
Hashimoto et al.

(10) **Patent No.:** **US D675,960 S**

(45) **Date of Patent:** **** Feb. 12, 2013**

(54) **TRUCK**

(75) Inventors: **Naoki Hashimoto**, Kakogawa (JP);
Norikazu Matsumura, Akashi (JP)

(73) Assignee: **Kawasaki Jukogyo Kabushiki Kaisha**,
Hyogo (JP)

(**) Term: **14 Years**

(21) Appl. No.: **29/396,006**

(22) Filed: **Jun. 23, 2011**

(51) **LOC (9) Cl.** **12-08**

(52) **U.S. Cl.** **D12/87**

(58) **Field of Classification Search** D12/1,
D12/3, 14, 82, 83, 86, 87, 93, 96; D21/533,
D21/548, 549, 550; 296/146.11, 203.03;
280/124.11, 779; 180/68.1, 68.4, 208, 224,
180/291, 309, 311, 357

See application file for complete search history.

(56) **References Cited**

U.S. PATENT DOCUMENTS

D555,036	S	*	11/2007	Eck	D12/87
D586,694	S	*	2/2009	Huang et al.	D12/14
7,578,523	B2	*	8/2009	Kosuge et al.	280/756
D606,900	S	*	12/2009	Flores	D12/87
D622,631	S	*	8/2010	Lai et al.	D12/87
D622,645	S	*	8/2010	Ichihara et al.	D12/173
D625,662	S	*	10/2010	Li	D12/87
D633,006	S	*	2/2011	Sanschagrín et al.	D12/1
D636,295	S	*	4/2011	Eck et al.	D12/1
D641,288	S	*	7/2011	Sun	D12/87
D642,493	S	*	8/2011	Goebert et al.	D12/87
D650,311	S	*	12/2011	Bracy	D12/87

D660,746	S	*	5/2012	Bracy	D12/87
2008/0053738	A1	*	3/2008	Kosuge et al.	180/311
2009/0184531	A1	*	7/2009	Yamamura et al.	296/37.6
2011/0048828	A1	*	3/2011	Sunsdahl et al.	180/68.1
2011/0115259	A1	*	5/2011	Mizuta	296/193.11
2012/0032465	A1	*	2/2012	Morita et al.	296/26.09
2012/0160588	A1	*	6/2012	Takagi	180/291
2012/0160589	A1	*	6/2012	Tsumiyama et al.	180/291
2012/0161477	A1	*	6/2012	Furman et al.	296/203.03

* cited by examiner

Primary Examiner — Philip S Hyder

Assistant Examiner — John T Applewhite

(57) **CLAIM**

The ornamental design for a truck, as shown and described.

DESCRIPTION

FIG. 1 is a front elevational view of a truck showing our new design;

FIG. 2 is a rear elevational view thereof;

FIG. 3 is a left side elevational view thereof;

FIG. 4 is a right side elevational view thereof;

FIG. 5 is a top plan view thereof;

FIG. 6 is a bottom plan view thereof;

FIG. 7 is a front left perspective view thereof;

FIG. 8 is a rear left perspective view thereof;

FIG. 9 is a front right perspective view thereof; and,

FIG. 10 is a rear right perspective view thereof.

The broken lines in FIGS. 1 to 10, showing portions of the truck, form no part of the claimed design.

1 Claim, 10 Drawing Sheets

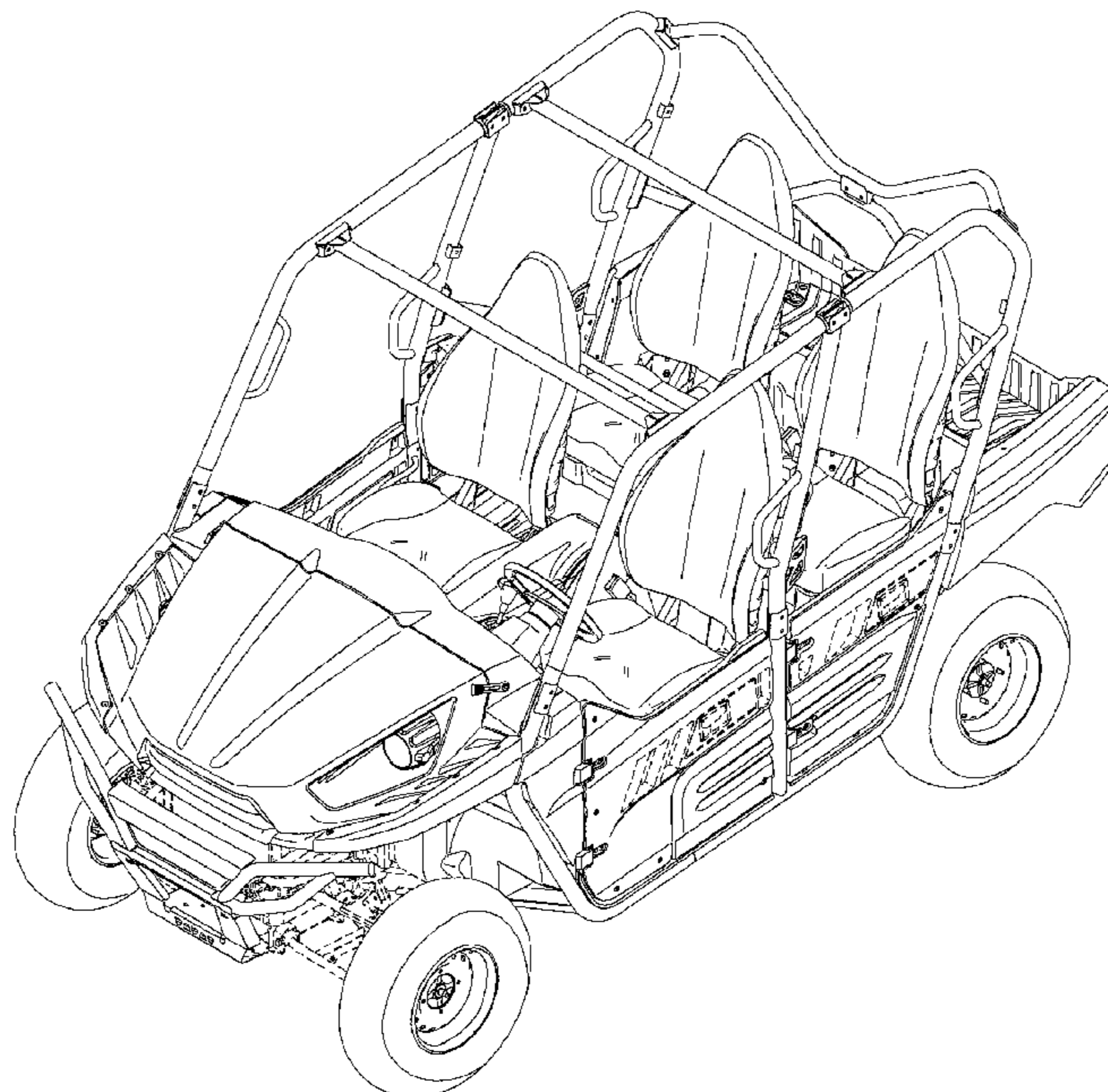


Fig. 1

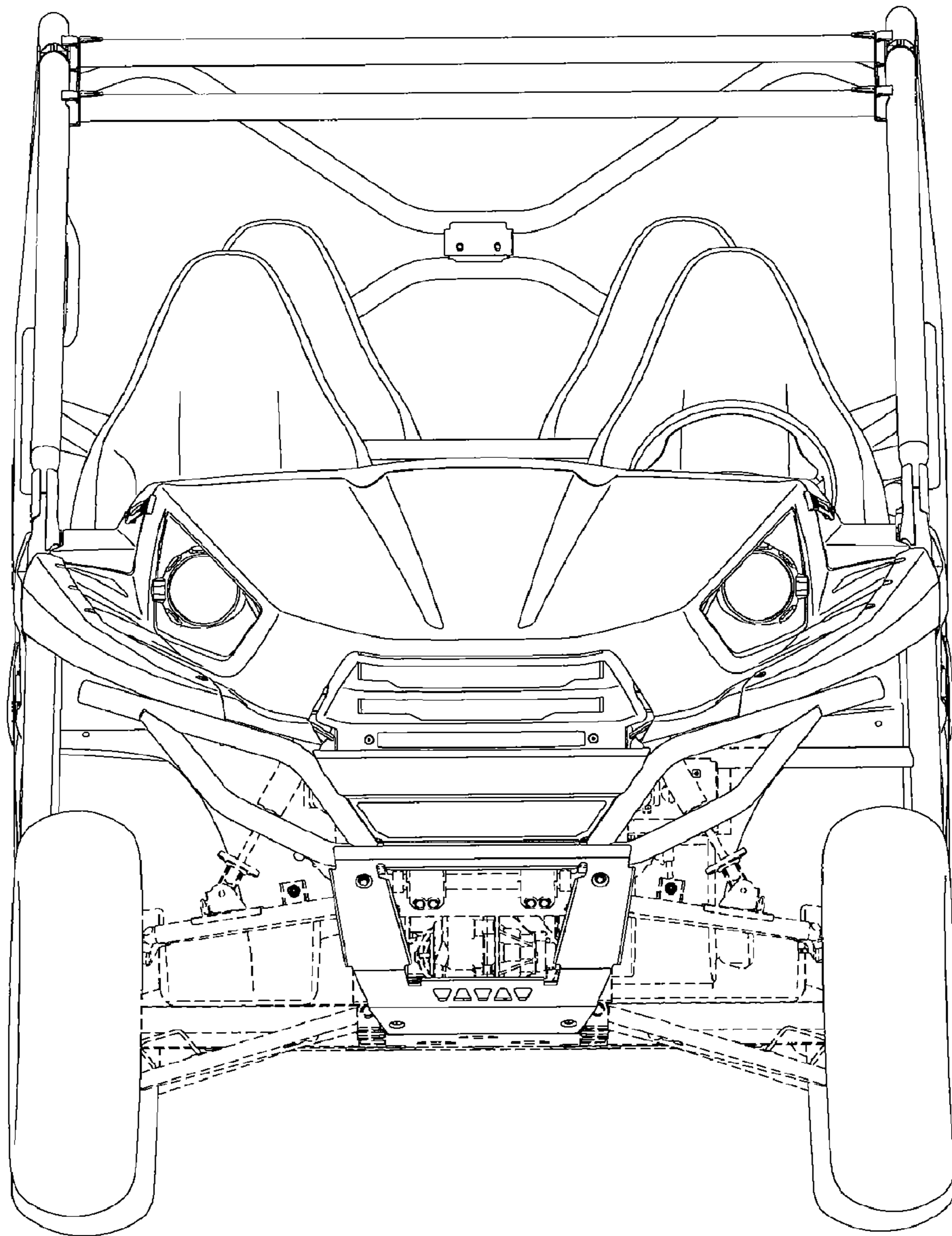
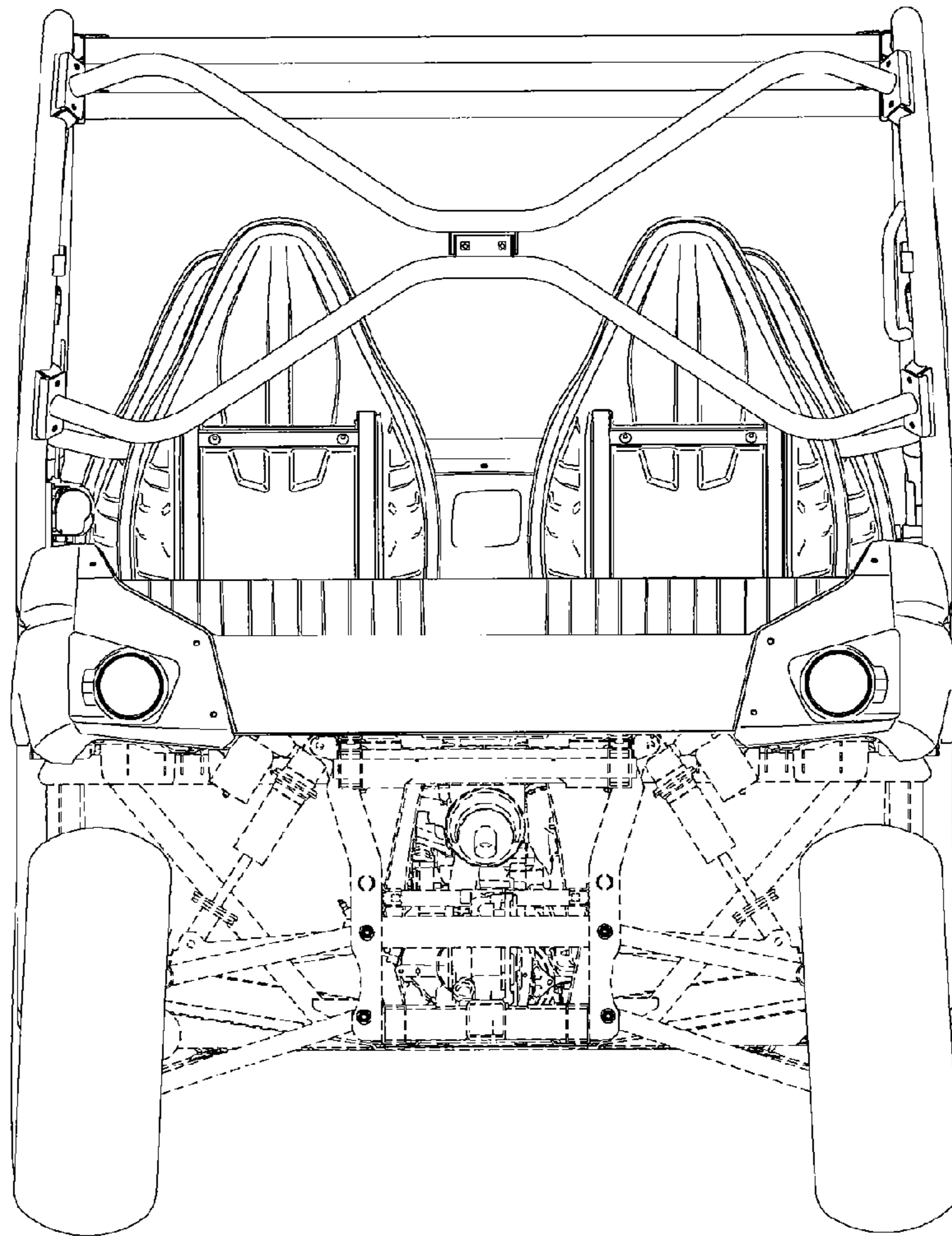


Fig. 2



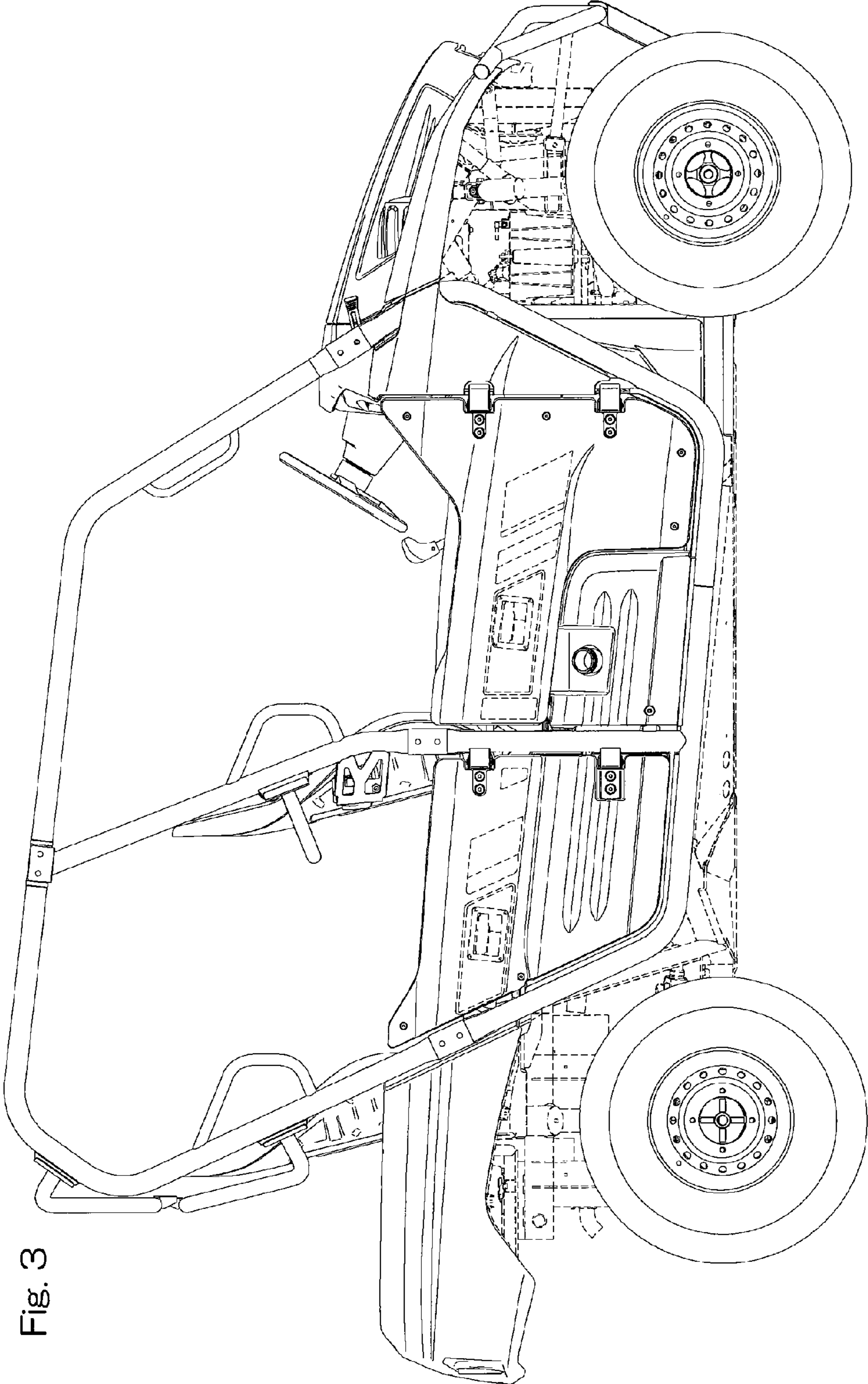


Fig. 3

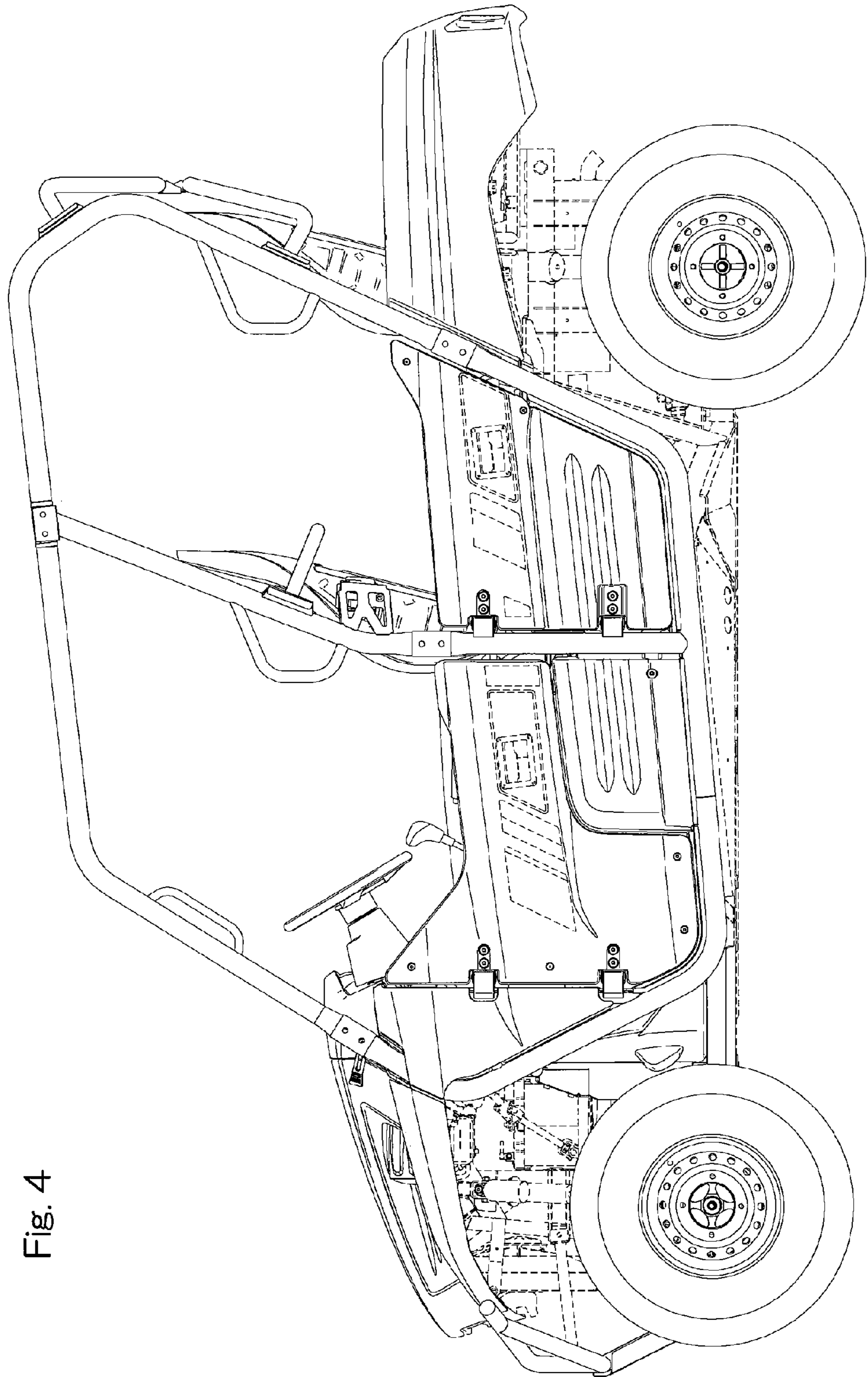


Fig. 4

Fig. 5

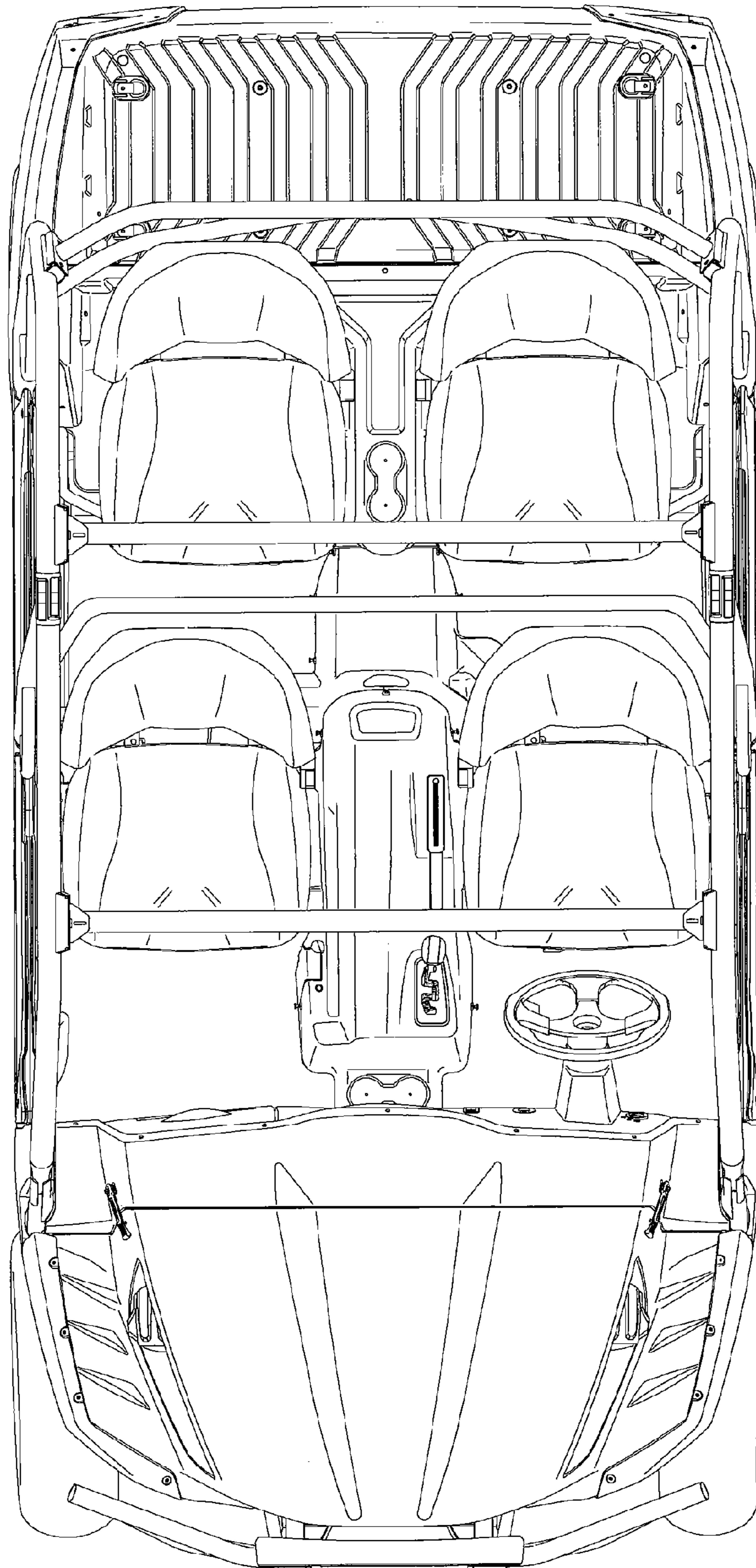
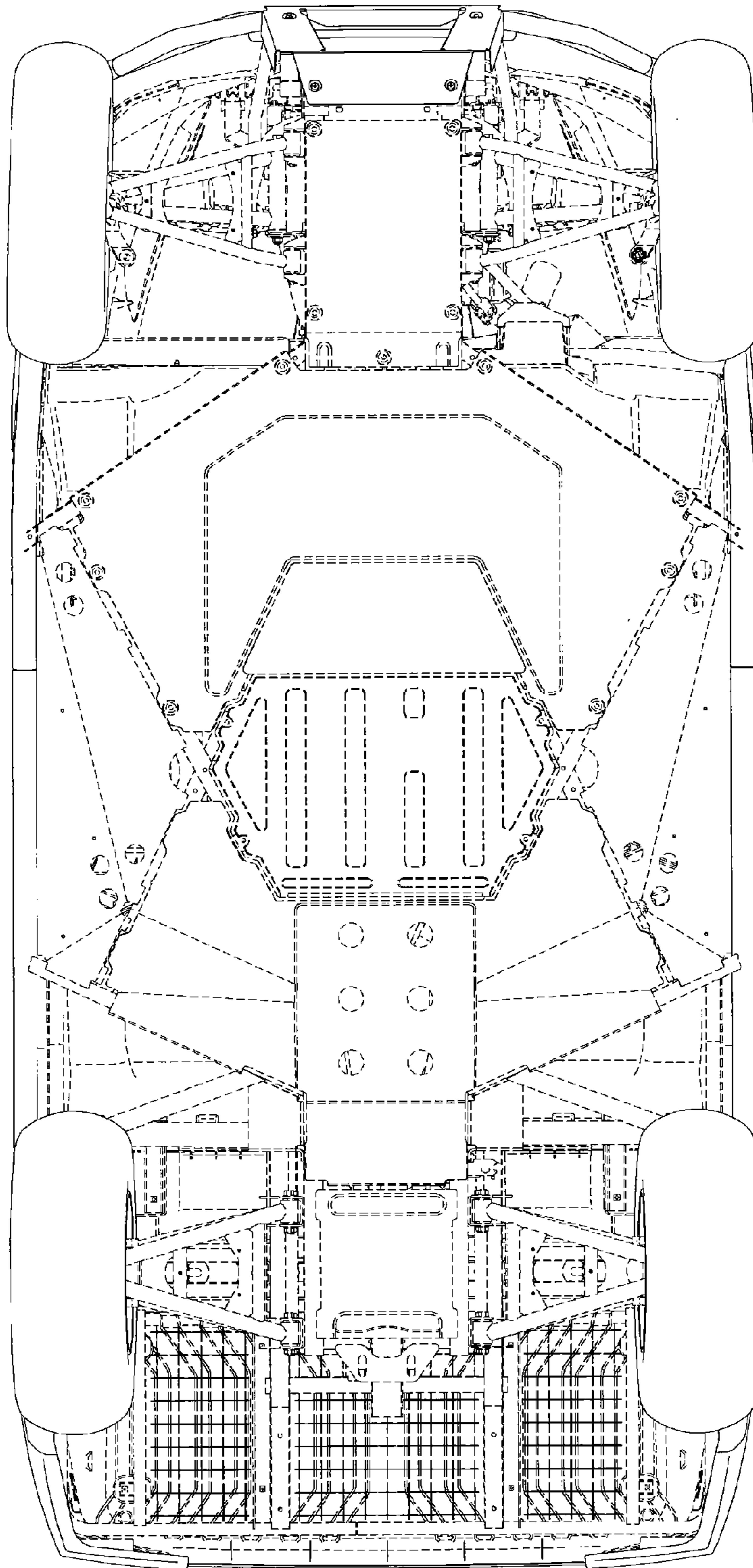


Fig. 6



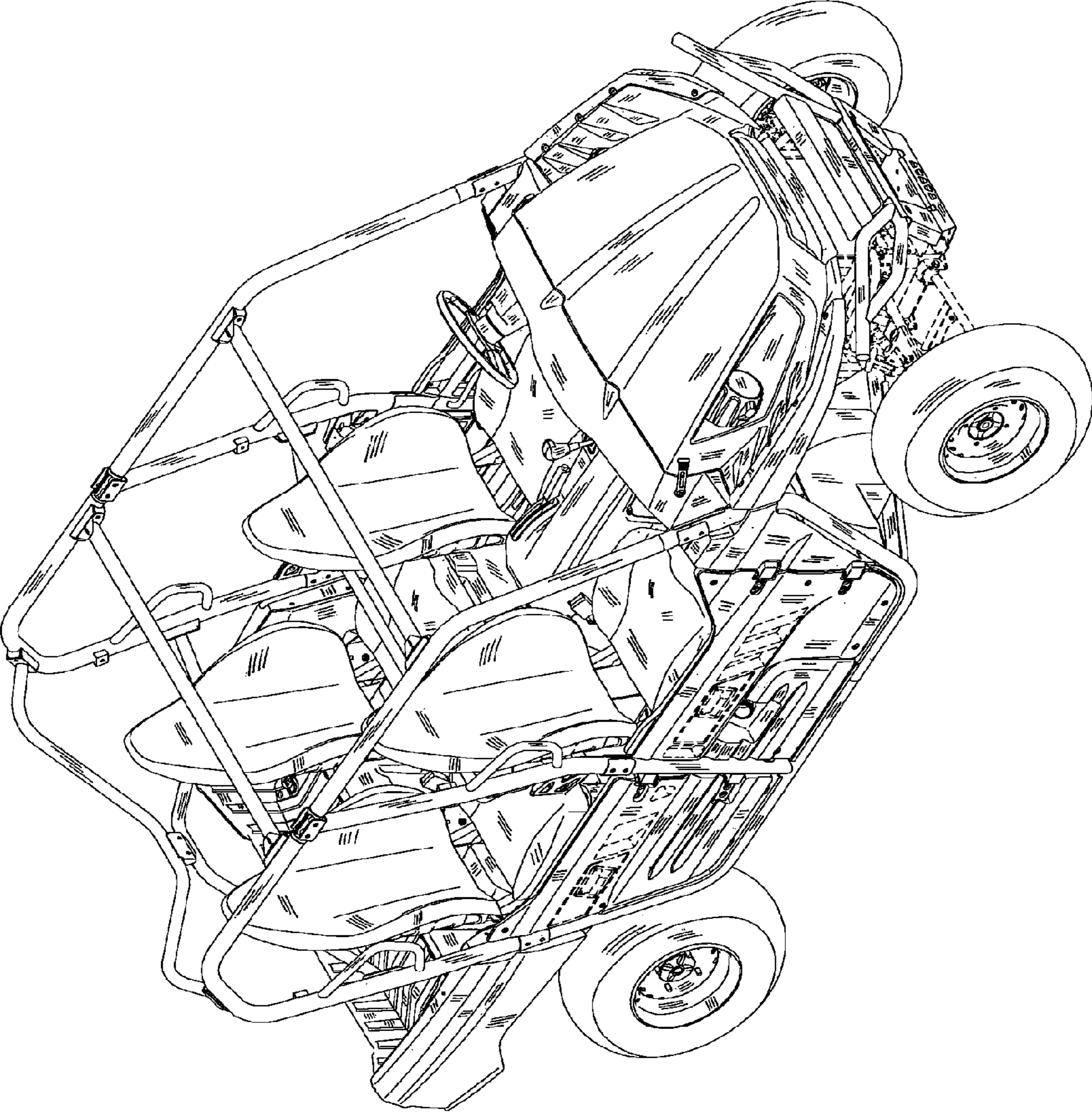


Fig. 7

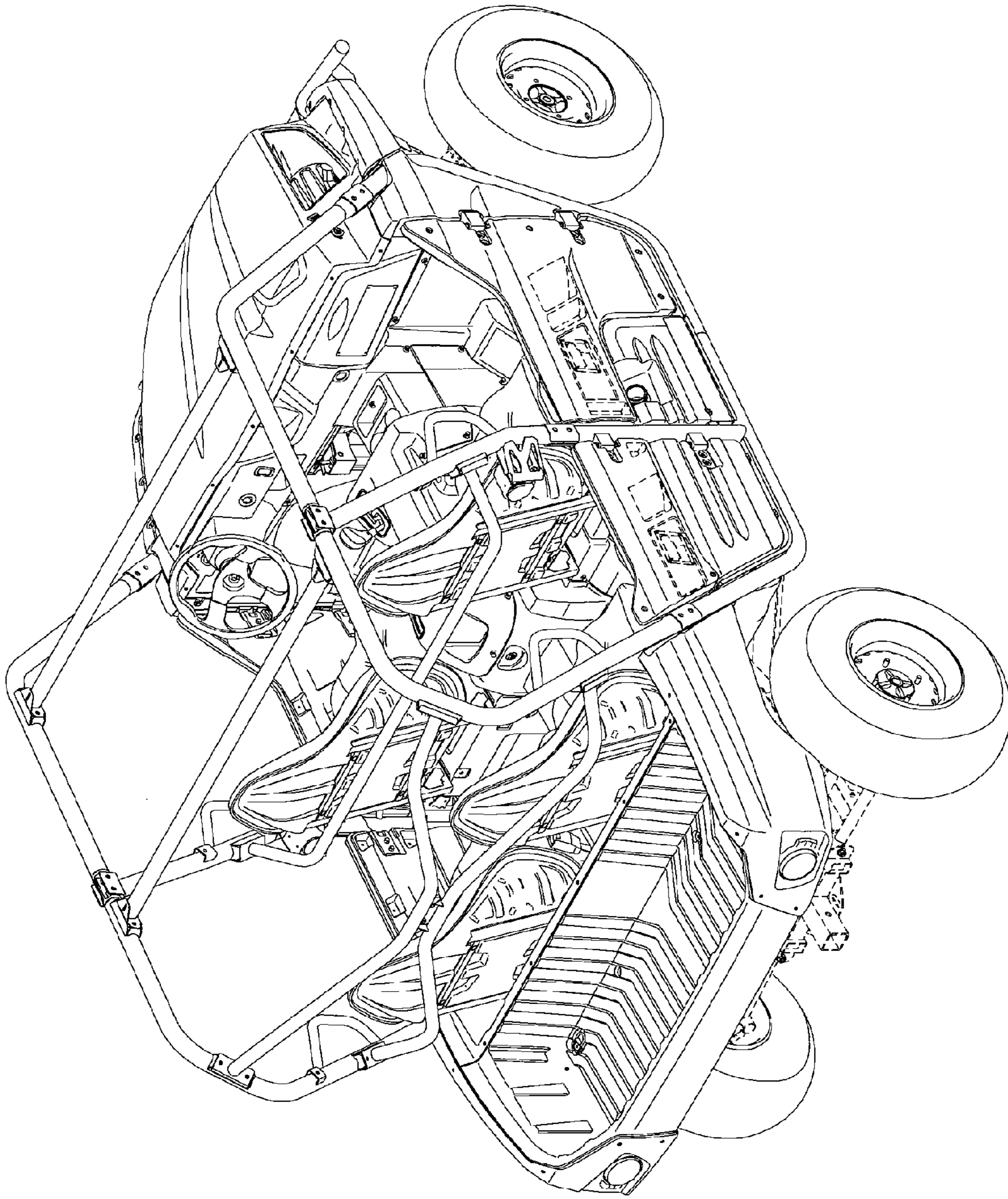


Fig. 8

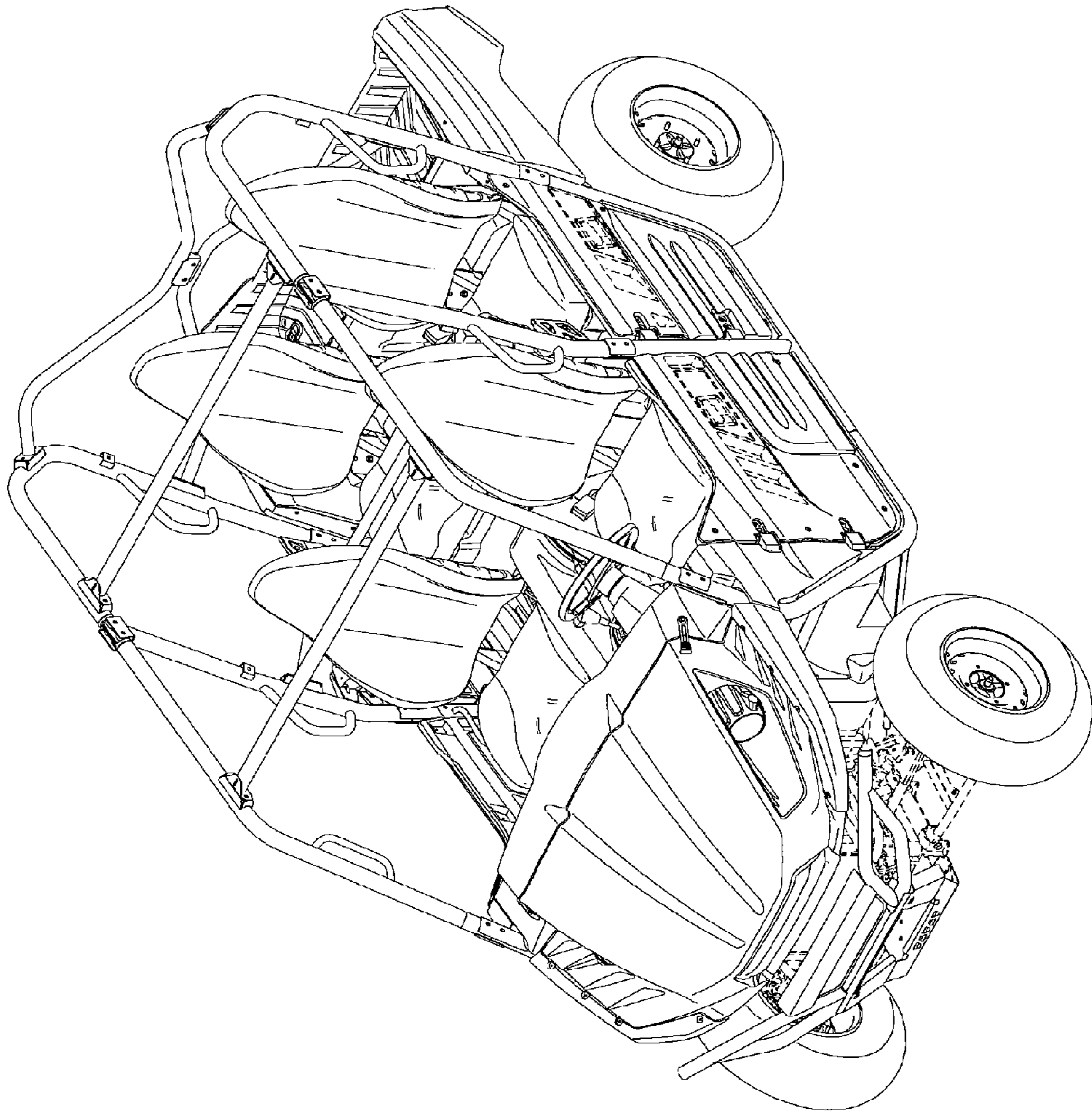


Fig. 9

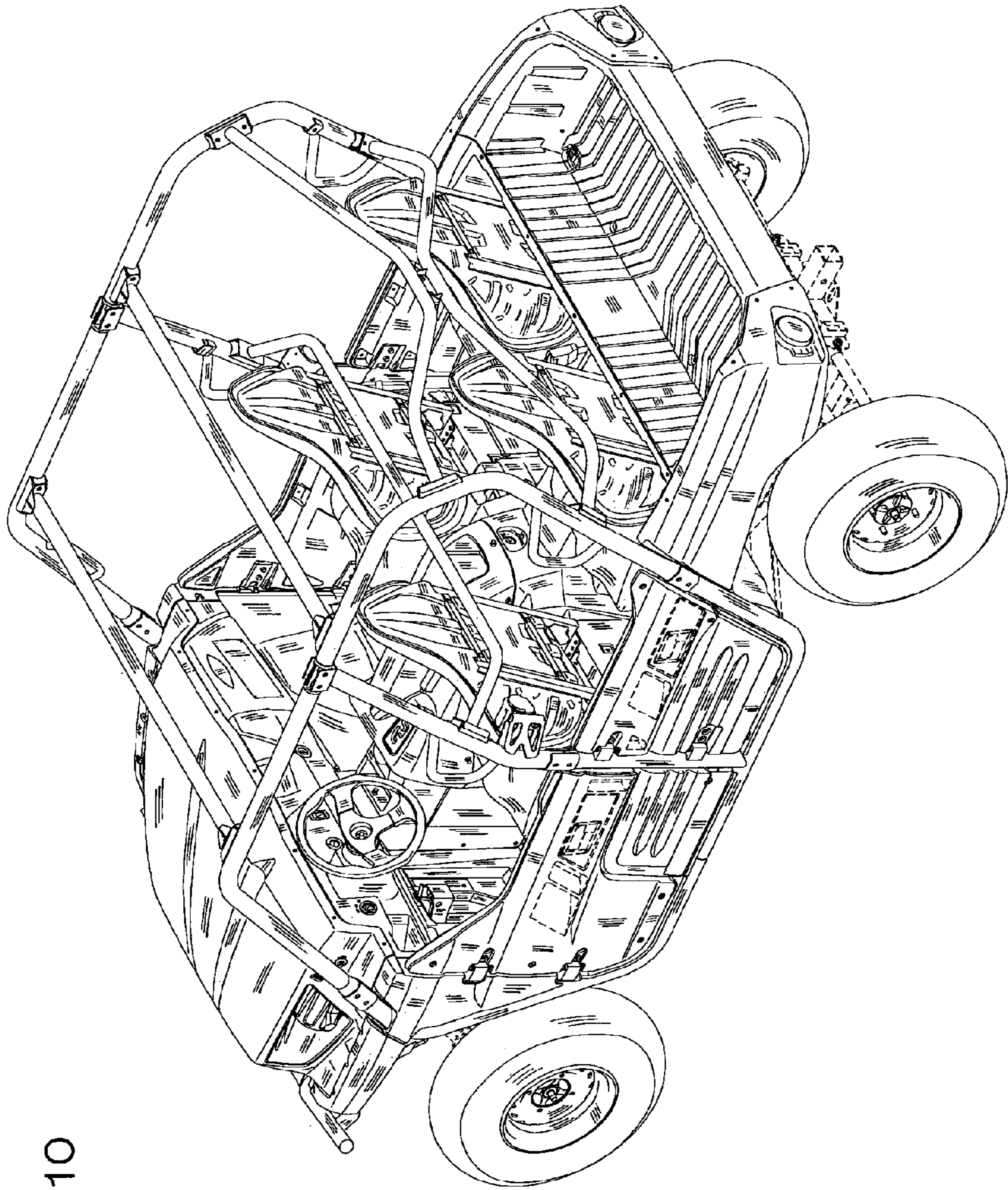


Fig. 10