



US00D675957S

(12) **United States Design Patent**
Thorson

(10) **Patent No.:** **US D675,957 S**
(45) **Date of Patent:** **** Feb. 12, 2013**

(54) **PATIO PLANTER**

(76) Inventor: **Mary Thorson**, Midlothian, VA (US)

(**) Term: **14 Years**

(21) Appl. No.: **29/393,851**

(22) Filed: **Jun. 9, 2011**

(51) **LOC (9) Cl.** **11-02**

(52) **U.S. Cl.** **D11/155**

(58) **Field of Classification Search** D6/403-405,
D6/556-558; D8/1; D11/143-156, 164;
D19/77, 80, 81, 84; D25/100; D26/9-11,
D26/16, 19; D34/1, 2, 4-6; D99/5, 19; 47/17,
47/32.4, 32.5, 32.7, 33, 39, 41.01, 41.1, 41.11-41.15,
47/44-47, 65, 65.5, 65.9, 66.1, 66.2, 66.6,
47/66.7, 67-71

See application file for complete search history.

D402,229 S 12/1998 Christensen
D405,027 S 2/1999 McElwain et al.
D428,359 S 7/2000 Jiquel
D432,455 S 10/2000 Rosenberg
D463,159 S * 9/2002 Waggoner D6/403
D556,627 S 12/2007 Arev
D647,767 S * 11/2011 Greenes et al. D8/1
2010/0107488 A1 5/2010 King et al.

* cited by examiner

Primary Examiner — Garth Rademaker

(74) *Attorney, Agent, or Firm* — QuickPatents; Kevin Prince

(57) **CLAIM**

I claim the ornamental design for a patio planter, as shown and described.

DESCRIPTION

FIG. 1 is a perspective view of a patio planter, showing my new design;

FIG. 2 is a front elevational view thereof;

FIG. 3 is a rear elevational view thereof;

FIG. 4 is a left-side elevational view thereof;

FIG. 5 is a right-side elevational view thereof;

FIG. 6 is a top plan view thereof; and,

FIG. 7 is a bottom plan view thereof.

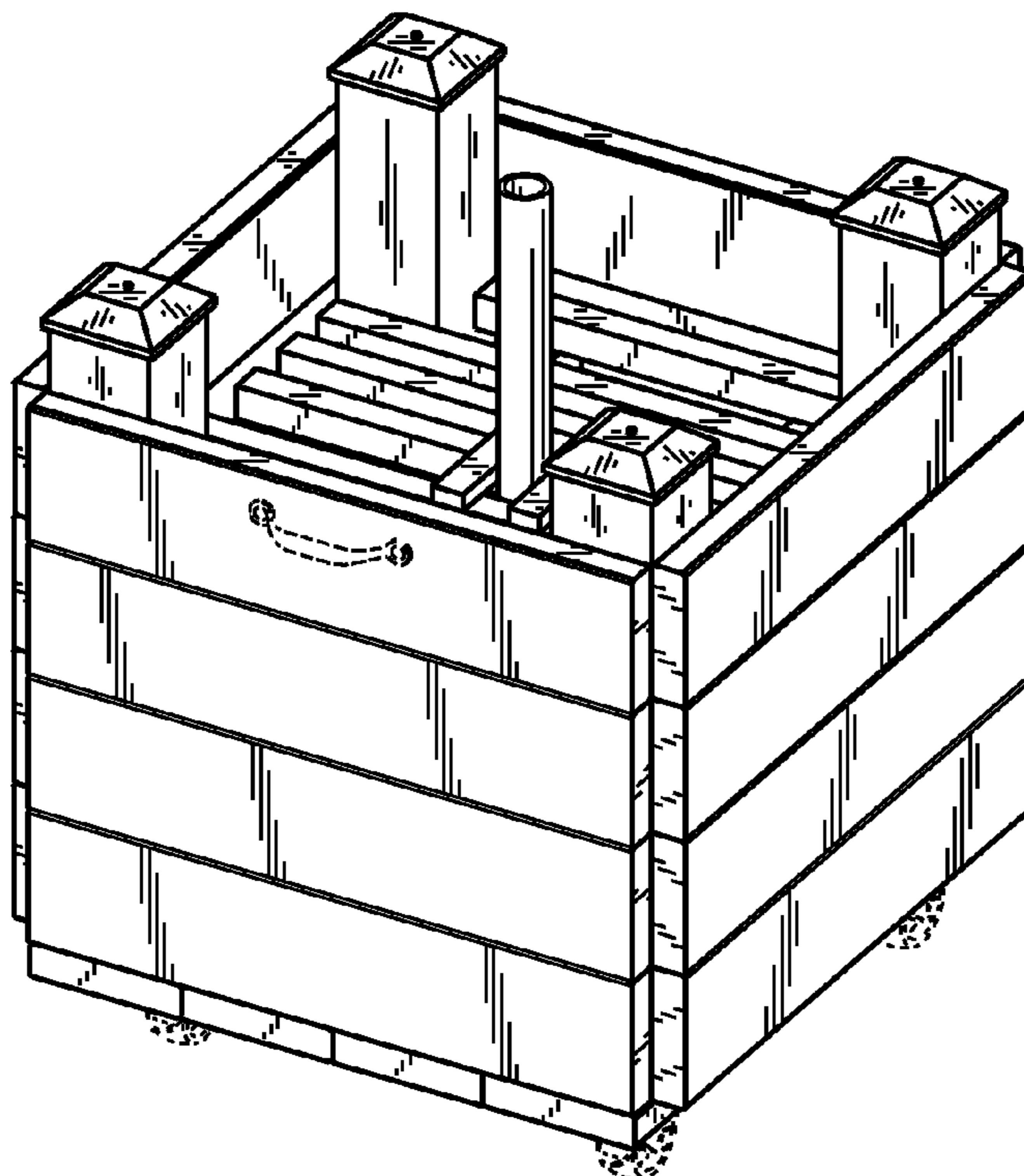
The broken lines in the drawings depict environmental subject matter only and form no part of the claimed design.

(56) **References Cited**

U.S. PATENT DOCUMENTS

3,006,496 A 10/1961 Weiman
3,676,953 A 7/1972 Delogne
D232,812 S 9/1974 Ogle
D245,408 S 8/1977 Baumann et al.
D257,095 S 9/1980 Lin
D274,229 S 6/1984 Grosfillex
D278,613 S 4/1985 Einsel
D338,377 S 8/1993 Scott, Jr. et al.
D401,424 S 11/1998 Ogo
D401,720 S * 11/1998 Newquist D34/1

1 Claim, 3 Drawing Sheets



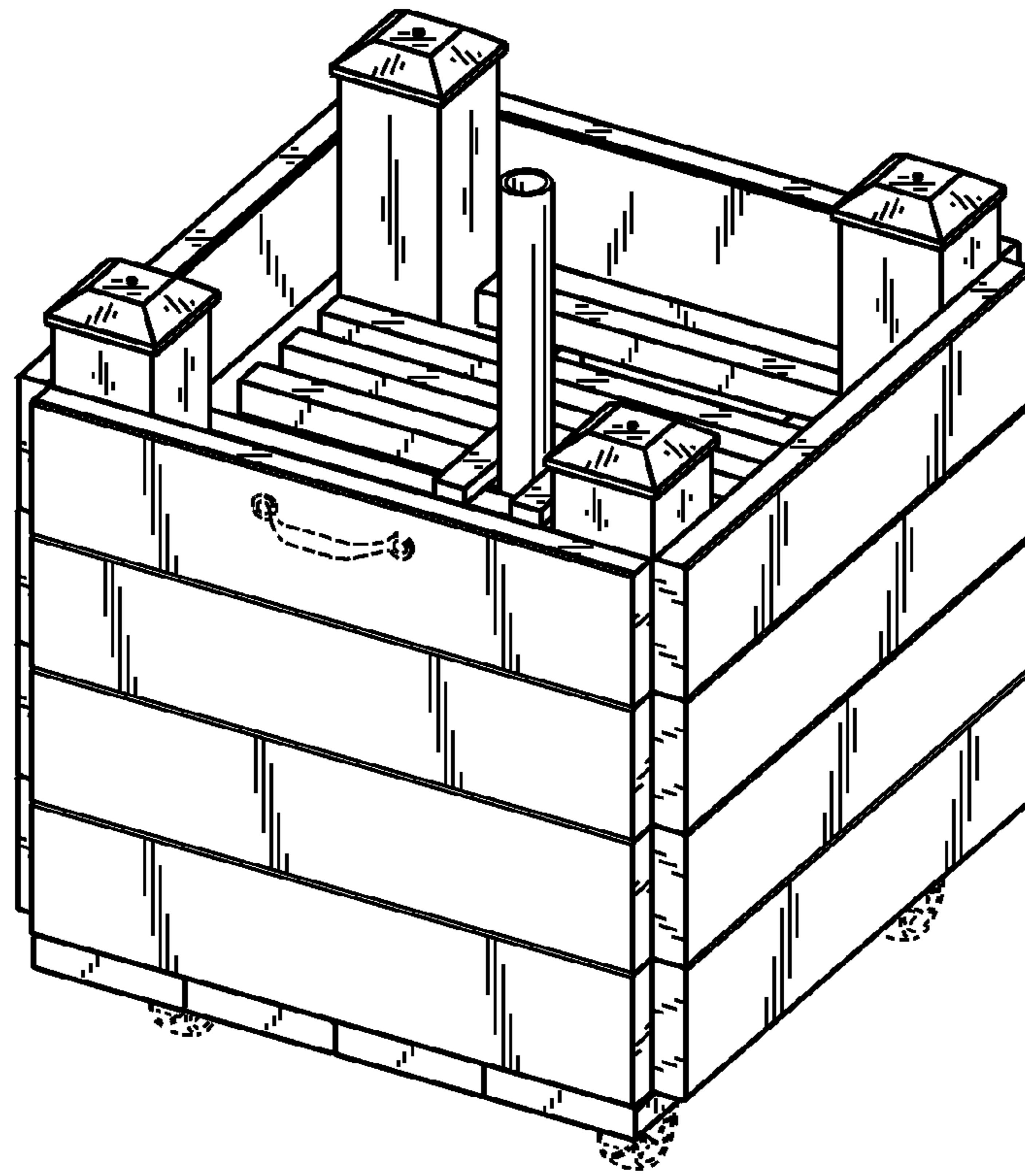


FIG. 1

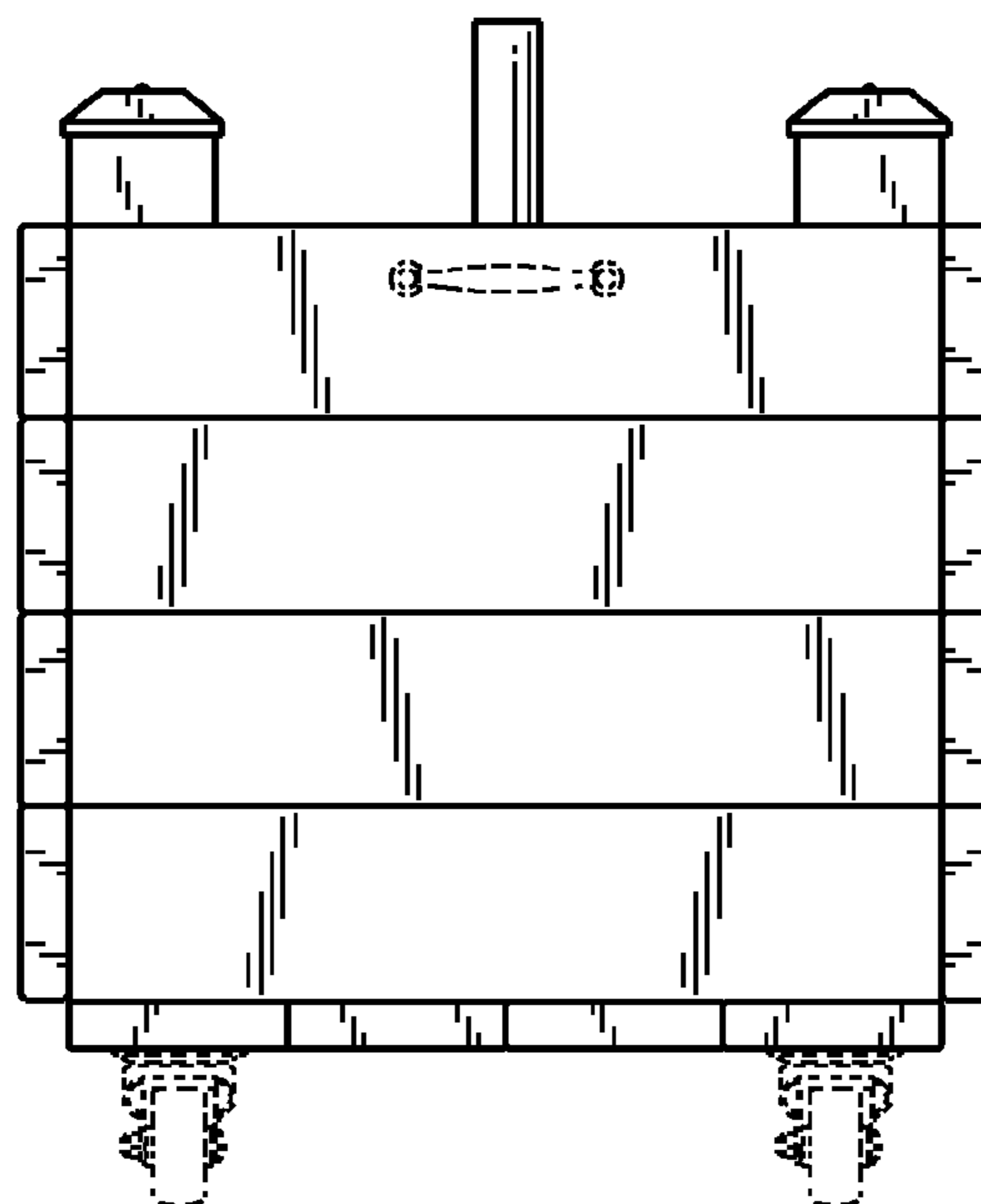


FIG. 2

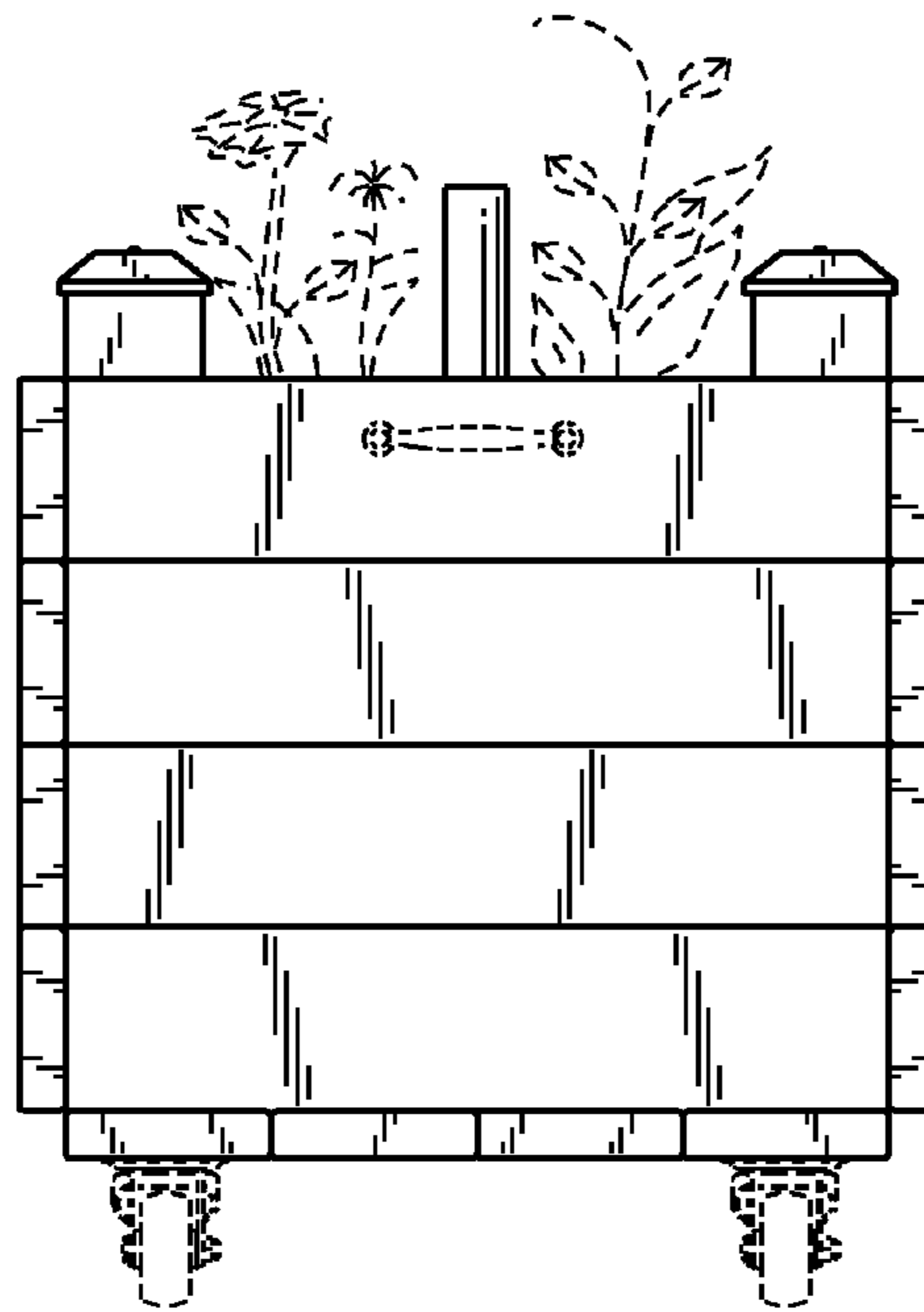


FIG. 3

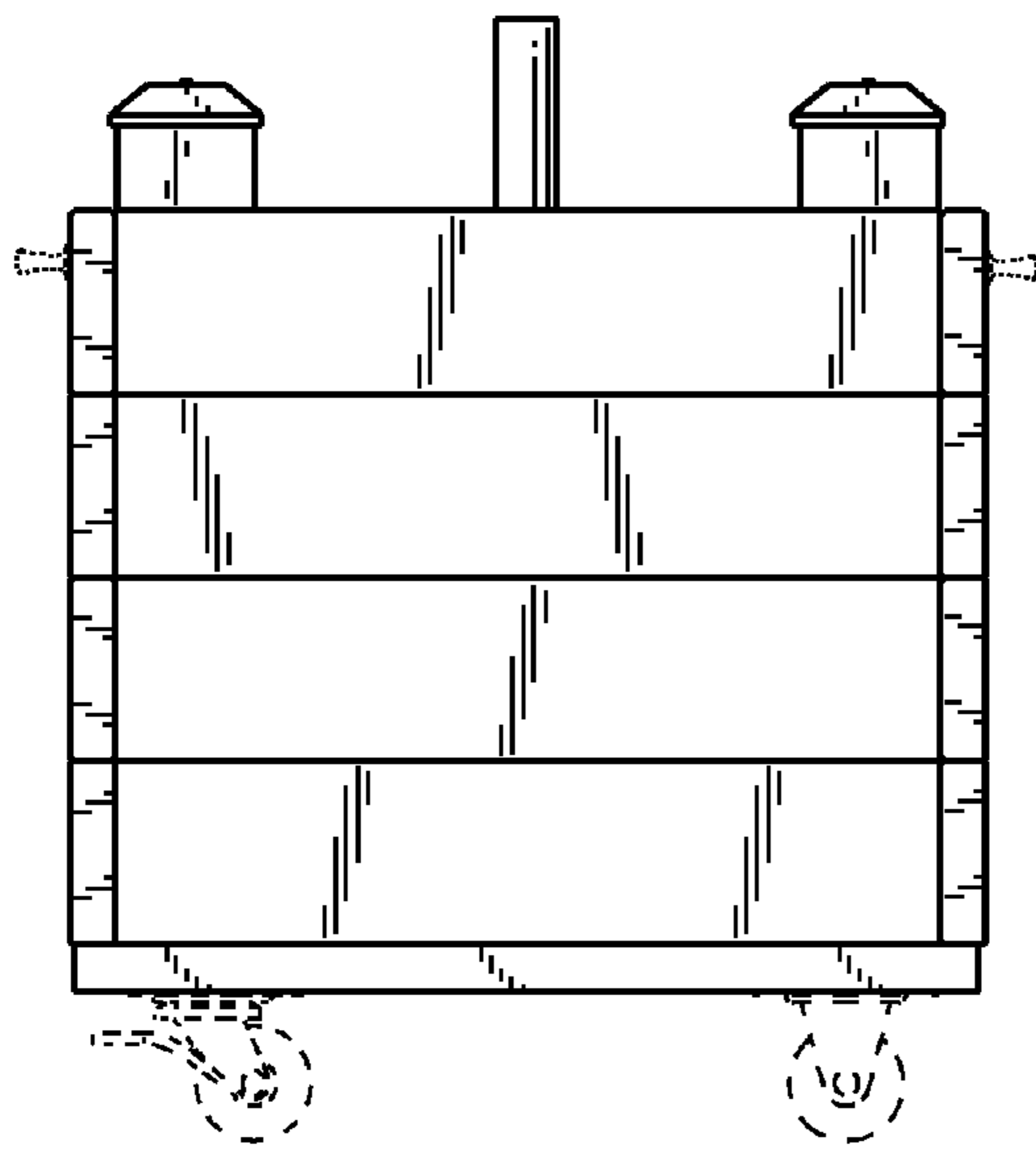


FIG. 4

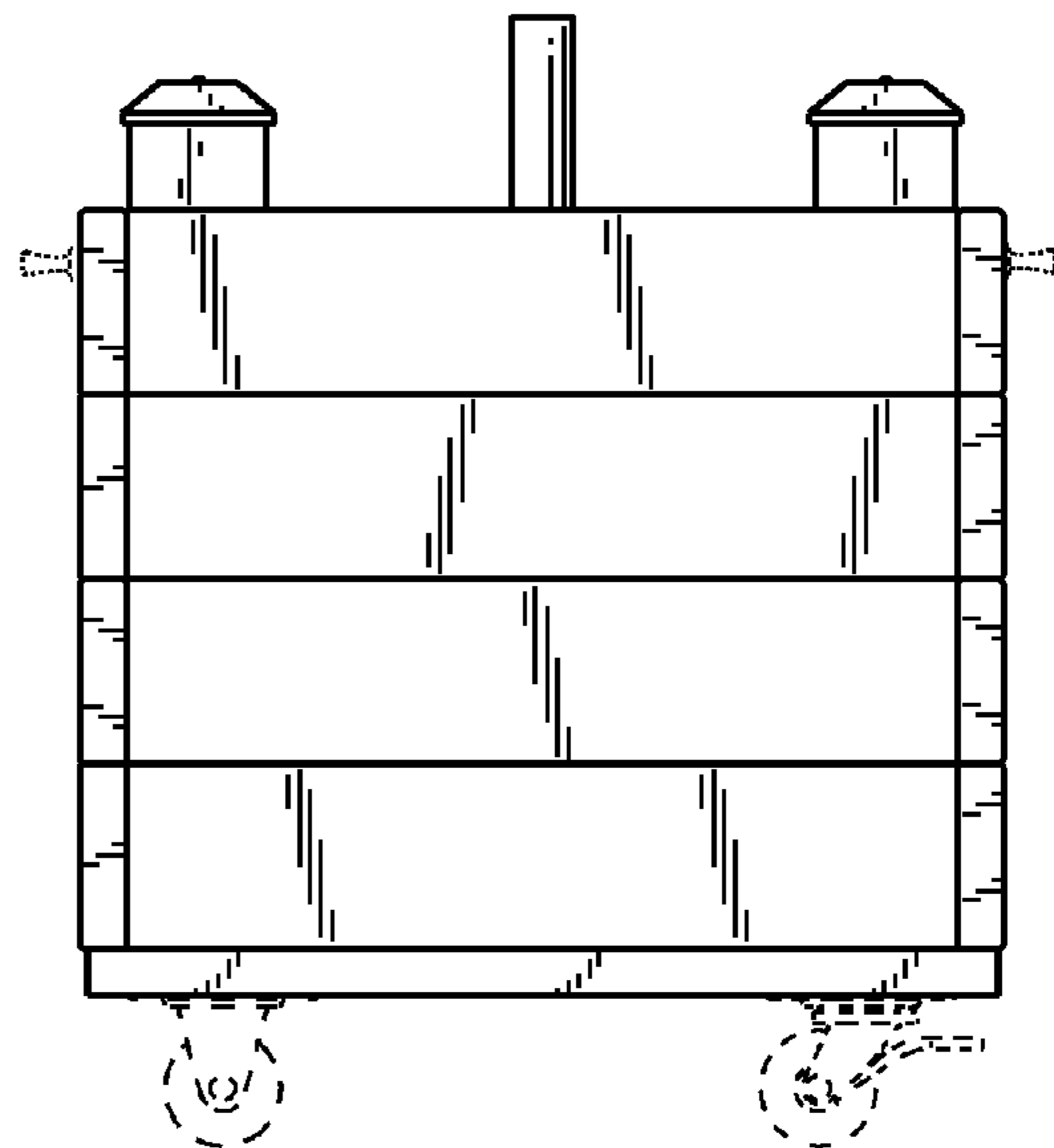


FIG. 5

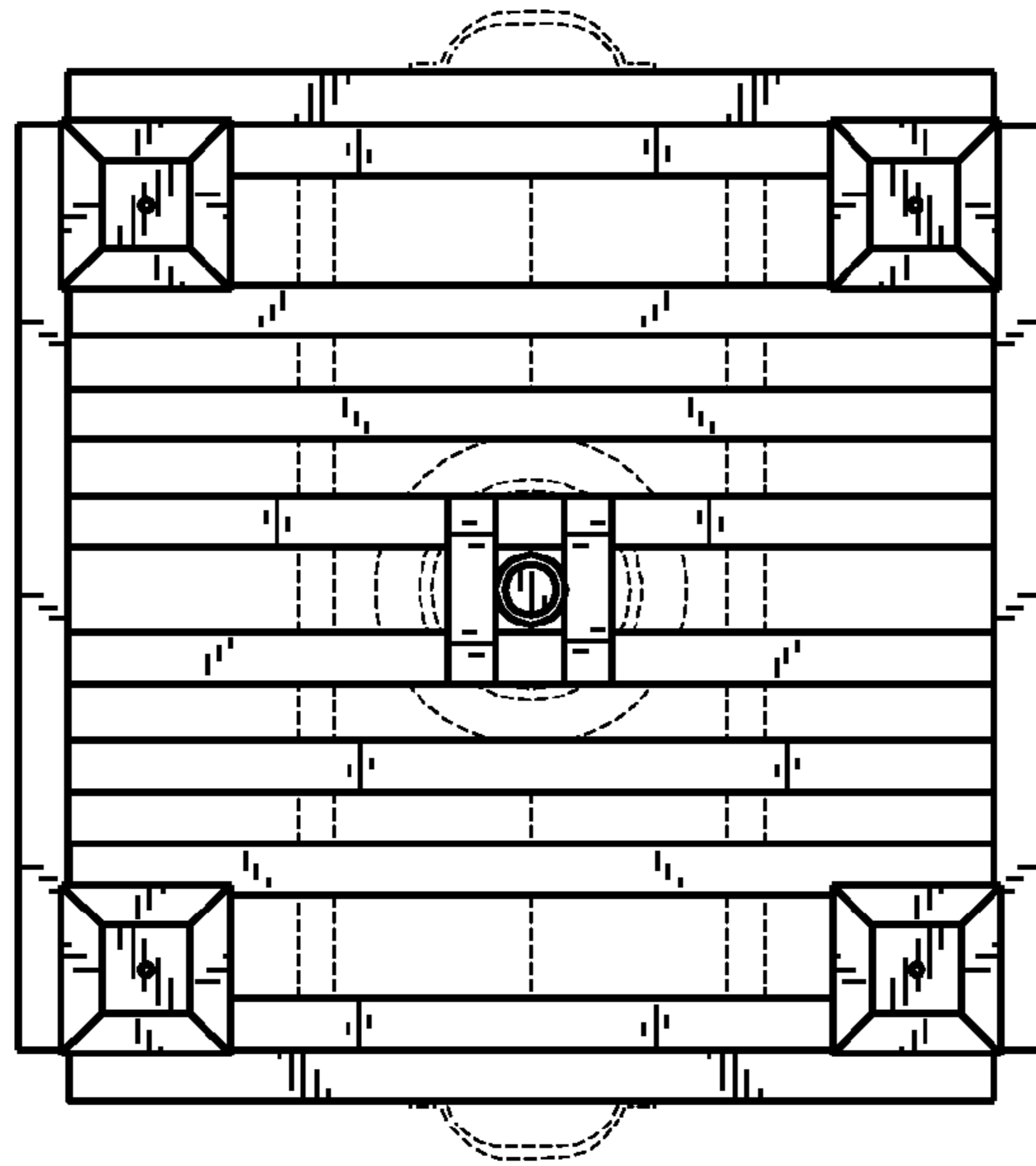


FIG. 6

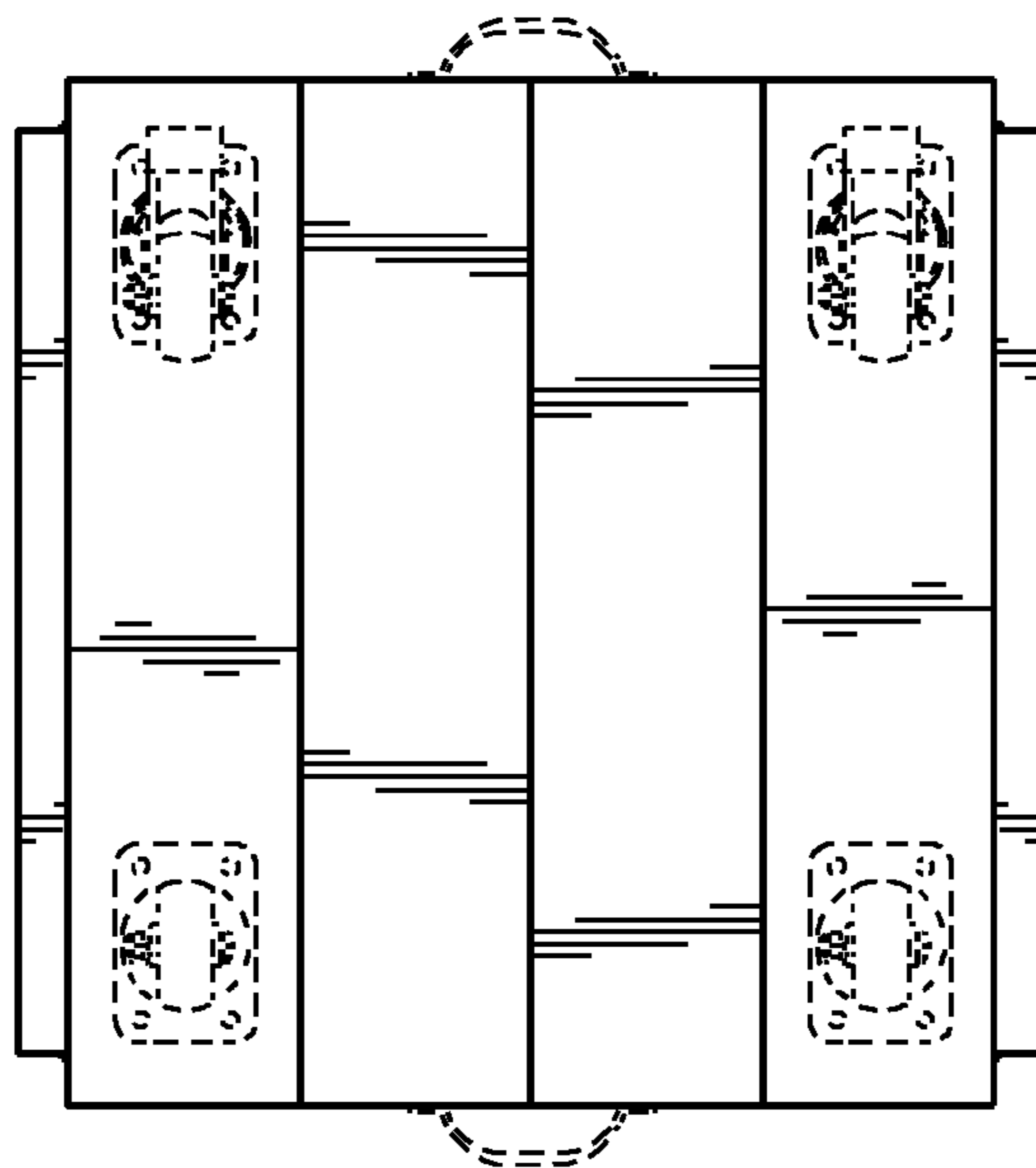


FIG. 7