



US00D675955S

(12) **United States Design Patent**
De Togni

(10) **Patent No.:** **US D675,955 S**
(45) **Date of Patent:** **** Feb. 12, 2013**

(54) **FUNERAL URN**

(76) **Inventor:** **Giorgio De Togni, Vigasio (IT)**

(**) **Term:** **14 Years**

(21) **Appl. No.:** **29/394,209**

(22) **Filed:** **Jun. 14, 2011**

(30) **Foreign Application Priority Data**

Dec. 21, 2010 (EM) 001796541-0003
Dec. 21, 2010 (EM) 001796541-0004
Dec. 21, 2010 (EM) 001796541-0005

(51) **LOC (9) Cl.** **11-02**

(52) **U.S. Cl.** **D11/131; D99/5**

(58) **Field of Classification Search** D99/5;
27/1; D9/432; 206/776, 736; 40/720, 721;
D6/470; D11/131, 132, 157; 312/114, 140;
D3/901, 294; D28/91; D30/101
See application file for complete search history.

(56) **References Cited**

U.S. PATENT DOCUMENTS

D9,110 S * 2/1876 Chandler D9/432
916,074 A * 3/1909 Weltner 52/138
2,023,260 A * 12/1935 Beers et al. 312/114
D133,104 S * 7/1942 Meyer D6/495
2,440,205 A * 4/1948 McLain 434/167
2,548,706 A * 4/1951 Corning 40/661
2,917,856 A * 12/1959 Soloff 428/13
3,341,956 A * 9/1967 Marino 40/1
3,409,062 A * 11/1968 Vilanova 220/200
D217,197 S * 4/1970 Phillips D6/449
3,716,936 A * 2/1973 Miller 40/720
D231,176 S * 4/1974 Muller D6/455
3,906,215 A * 9/1975 Dinicola 362/122
D247,104 S * 1/1978 Novel D11/131

4,240,218 A * 12/1980 Kotzin 40/407
4,351,091 A * 9/1982 Goodkin 27/22.1
4,553,680 A * 11/1985 Griggs et al. 220/4.33
4,807,377 A * 2/1989 Stuckel 40/711
D306,973 S * 4/1990 Kaplan D3/294
5,140,728 A * 8/1992 Chandler et al. 27/35
5,349,727 A * 9/1994 Niebergall 27/1
5,524,977 A * 6/1996 Orawski 312/114
5,558,416 A * 9/1996 Dumitru 312/139
5,774,958 A * 7/1998 Casimir 27/1
6,047,833 A * 4/2000 Salomon 206/765
6,722,747 B2 * 4/2004 House et al. 312/114
7,043,803 B2 * 5/2006 Chen 27/1
D639,702 S * 6/2011 Jean-Denis D11/131

* cited by examiner

Primary Examiner — T. Chase Nelson

Assistant Examiner — Michelle E Wilson

(74) *Attorney, Agent, or Firm* — Hedman & Costigan, P.C.;
James V. Costigan

(57) **CLAIM**

I claim the ornamental design for a funeral urn, as shown and described.

DESCRIPTION

FIG. 1 is a front, perspective view of a funeral urn according to the present invention;

FIG. 2 is a top plan view thereof;

FIG. 3 is a bottom plan view thereof;

FIG. 4 is a left side view thereof;

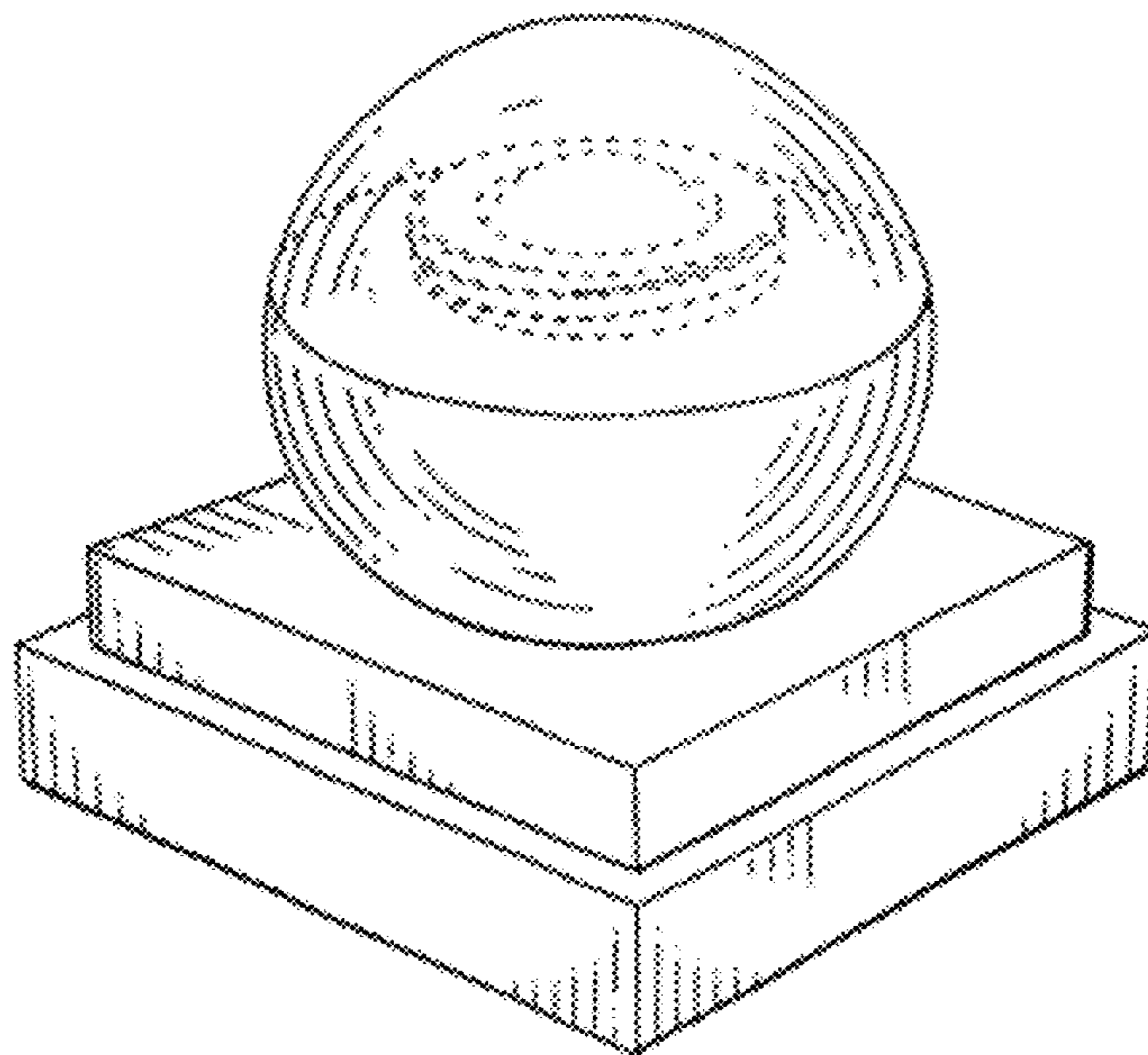
FIG. 5 is right side view thereof;

FIG. 6 is front view thereof; and,

FIG. 7 is a back view thereof.

The broken line showing on the funeral urn is included for the purpose of illustrating environment and forms no part of the claimed design.

1 Claim, 2 Drawing Sheets



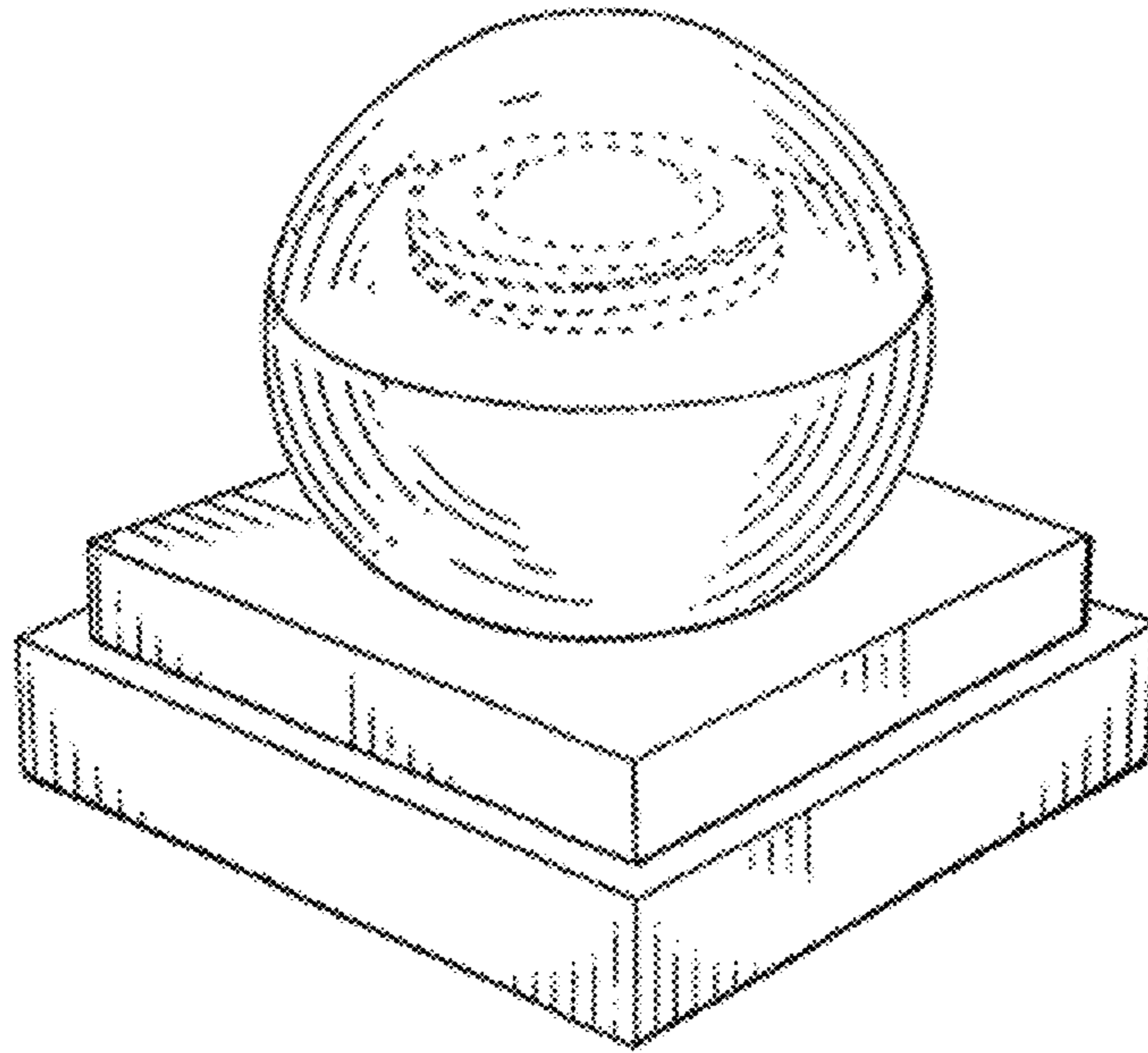


Fig. 1

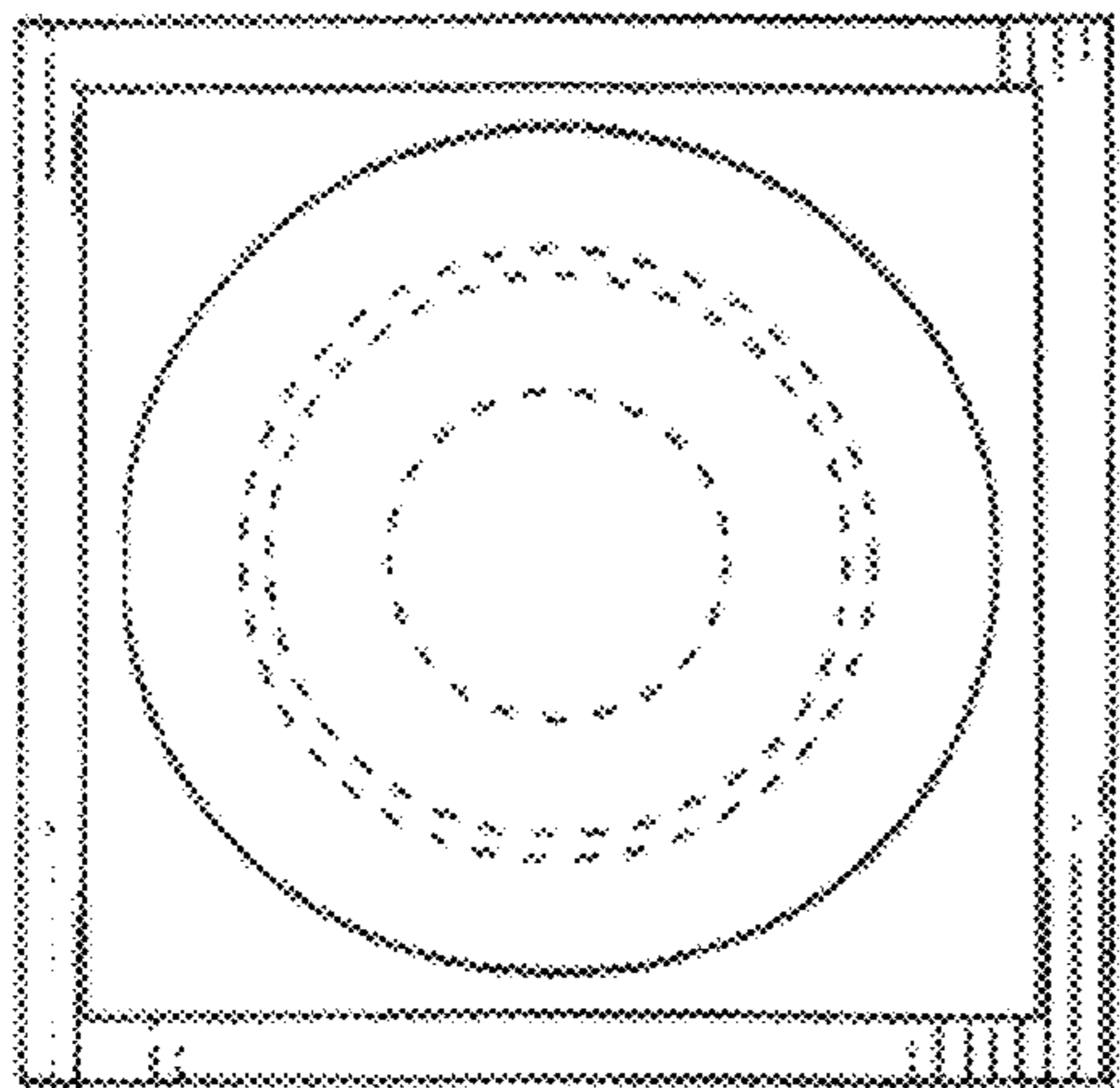


Fig. 2

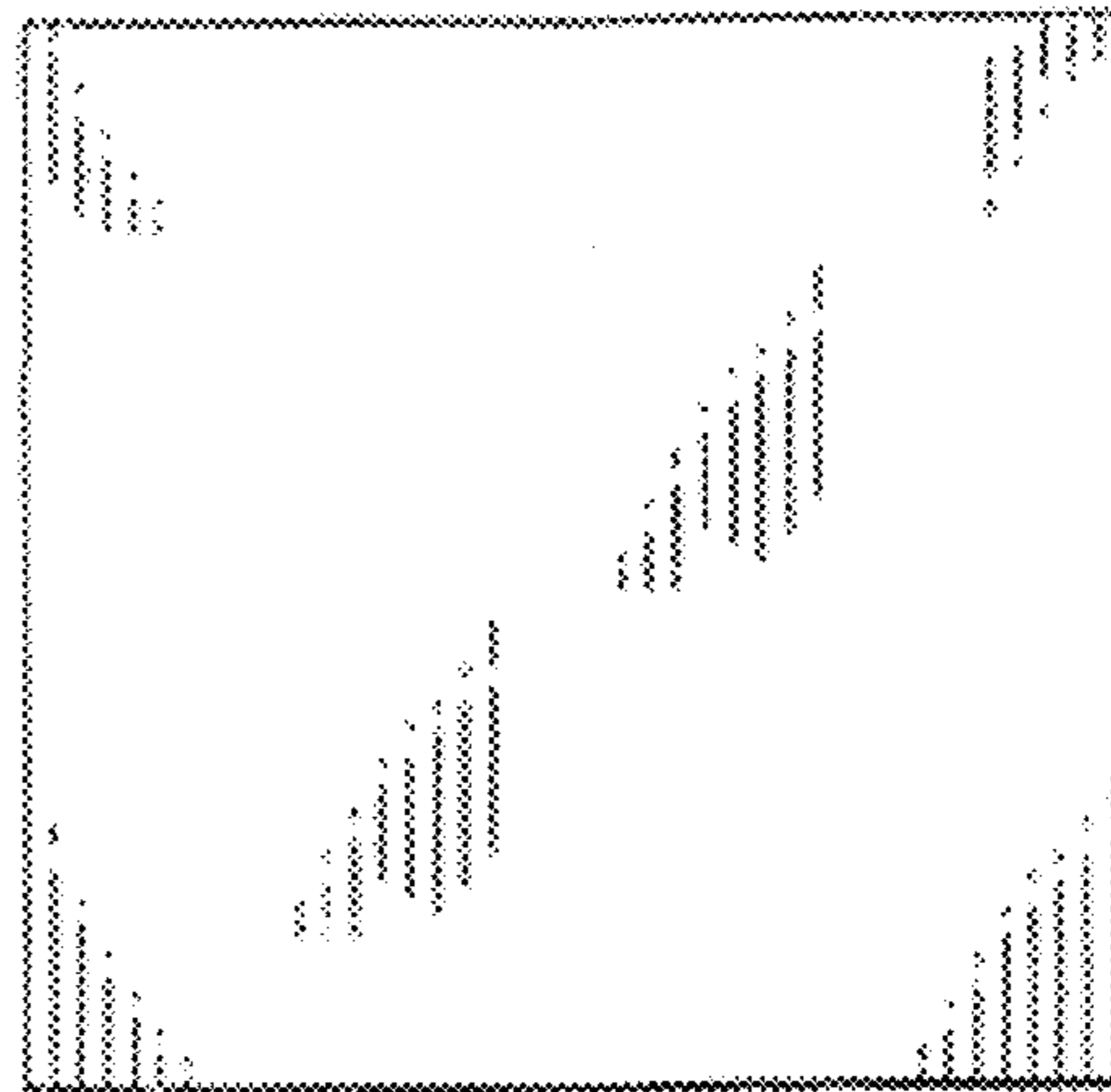


Fig. 3

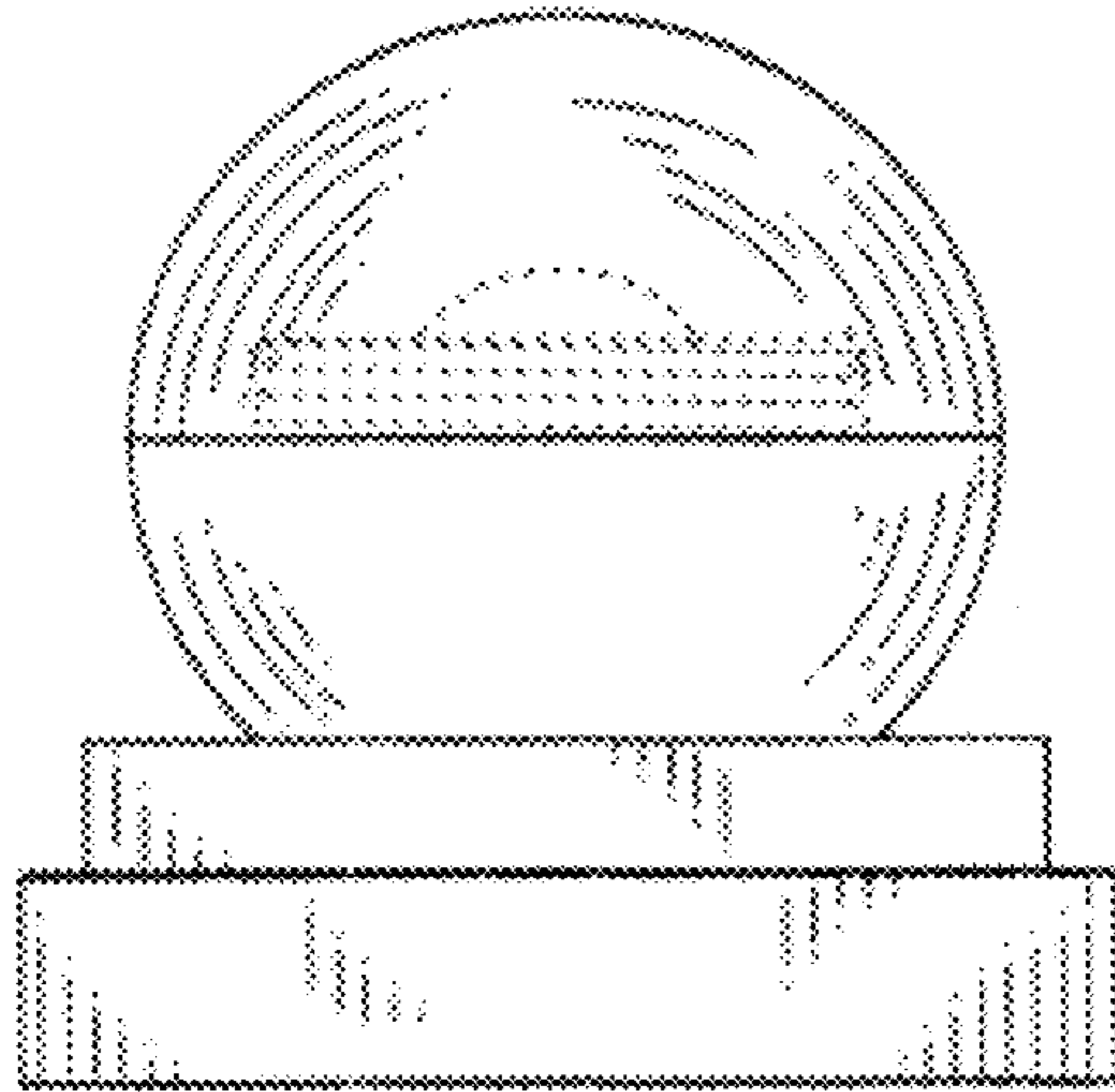


Fig. 4

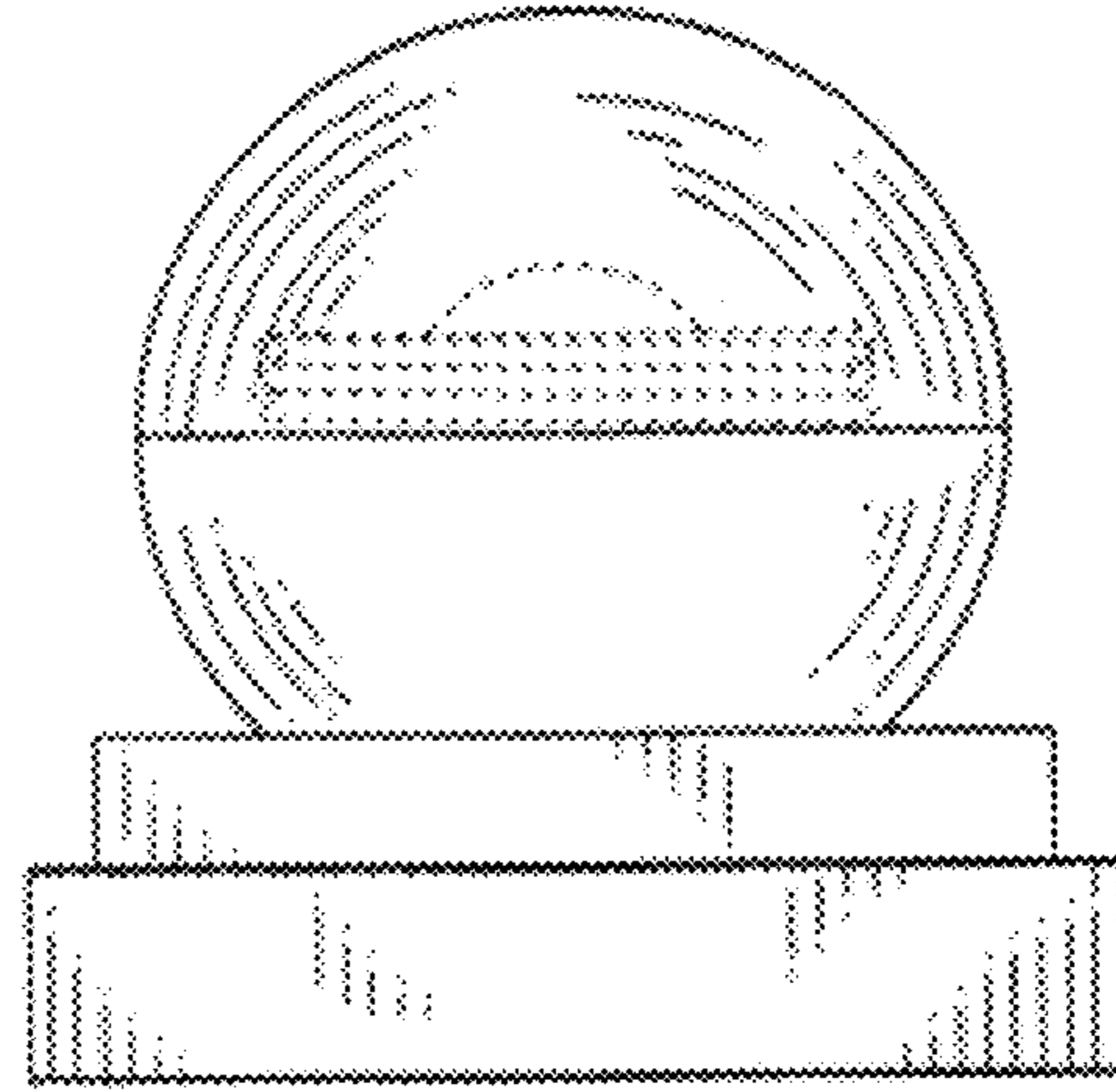


Fig. 5

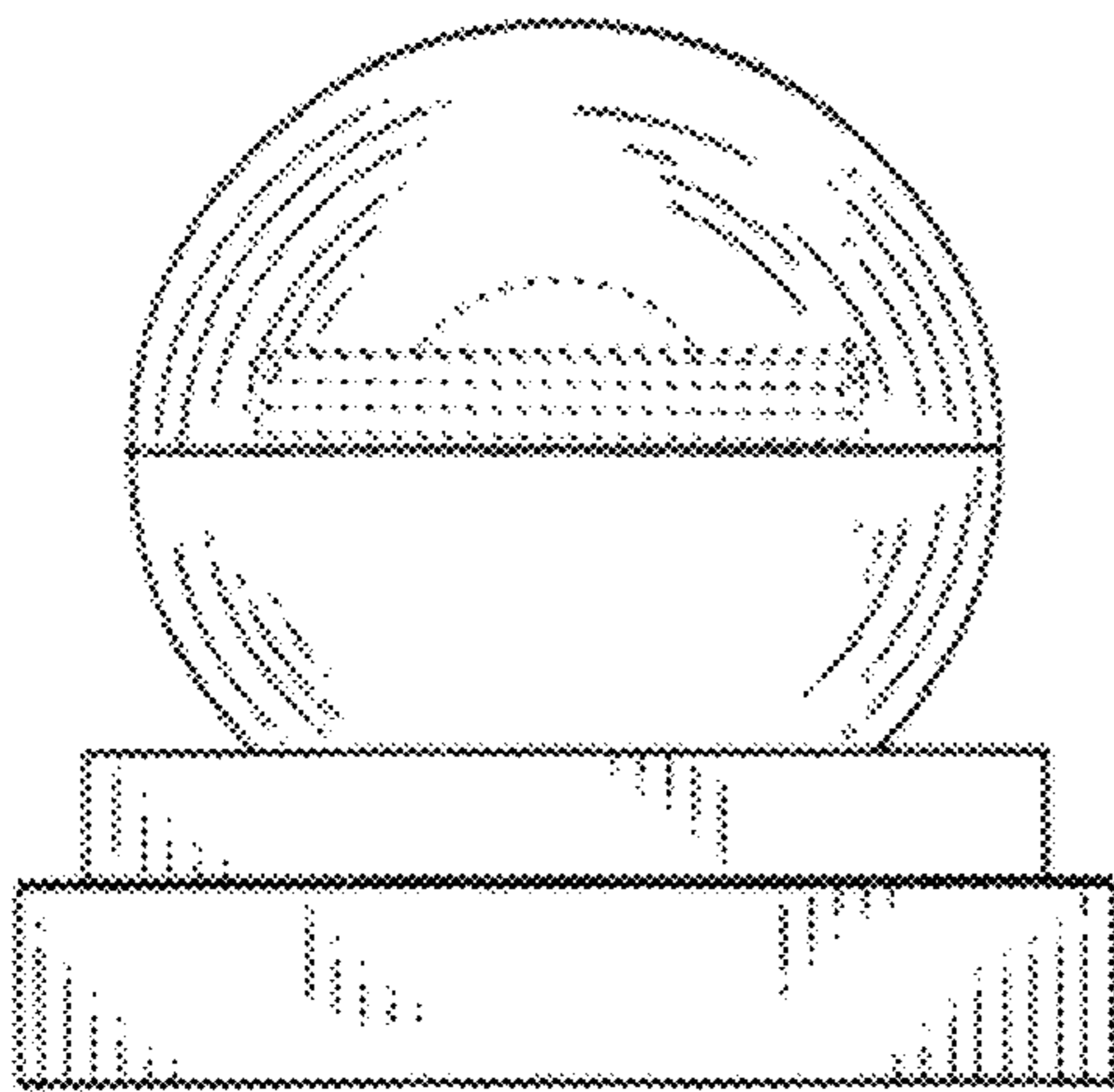


Fig. 6

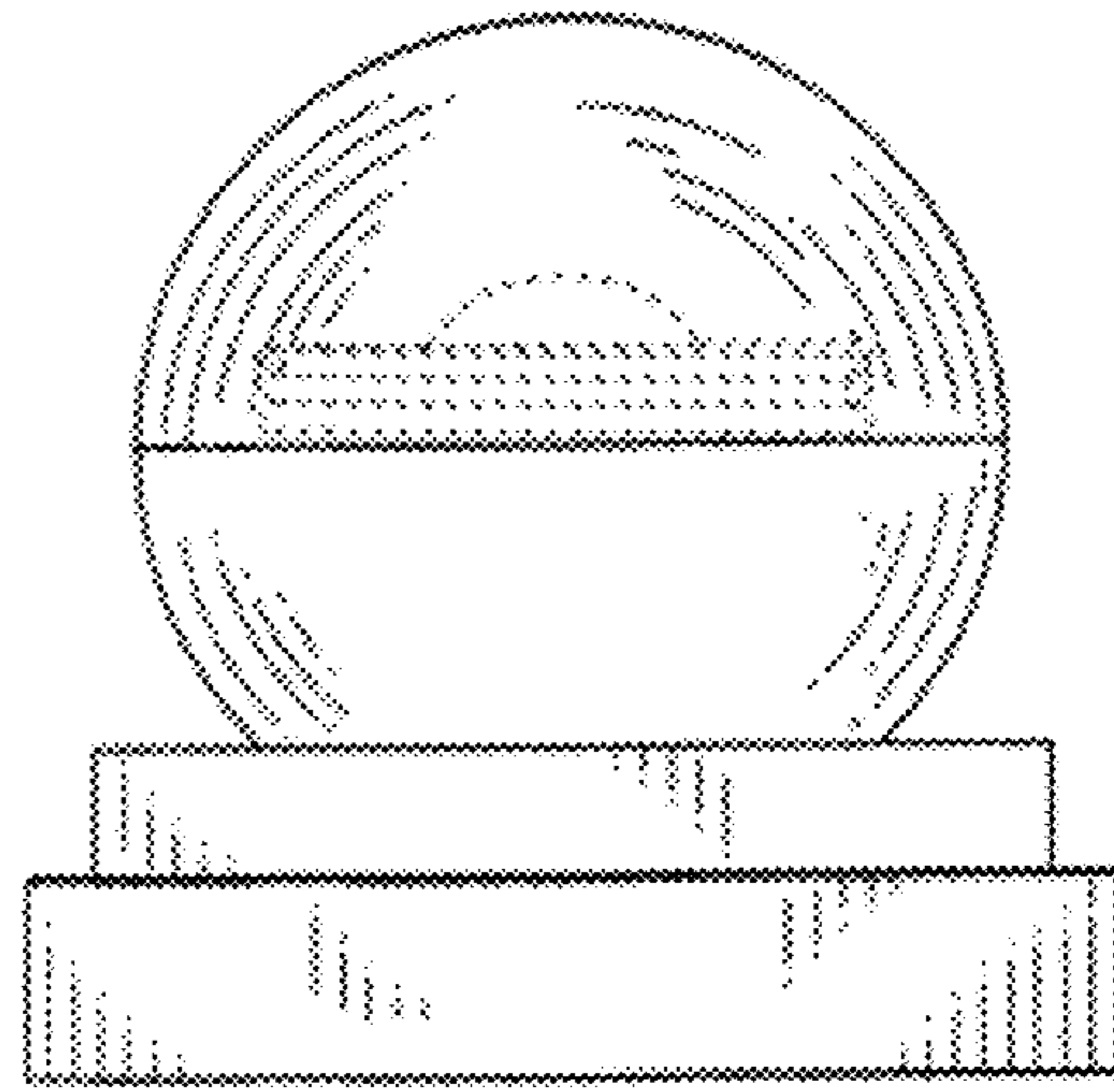


Fig. 7