



US00D675953S

(12) **United States Design Patent**  
**Kapur et al.**

(10) **Patent No.:** **US D675,953 S**

(45) **Date of Patent:** **\*\* Feb. 12, 2013**

(54) **JEWELRY PENDANT**

(76) Inventors: **Shai Kapur**, Los Angeles, CA (US);  
**Sunita Lalvani**, Los Angeles, CA (US)

(\*\*) Term: **14 Years**

(21) Appl. No.: **29/388,262**

(22) Filed: **Mar. 25, 2011**

(51) **LOC (9) Cl.** ..... **11-01**

(52) **U.S. Cl.** ..... **D11/81**

(58) **Field of Classification Search** ..... D11/1,  
D11/2, 7, 40-44, 79-87; 63/1.11, 18-20;  
D3/207-211

See application file for complete search history.

(56) **References Cited**

U.S. PATENT DOCUMENTS

2,315,853	A *	4/1943	Hodgson	102/529
D146,257	S *	1/1947	Erickson	D3/209
3,567,085	A *	3/1971	Flores	224/604
4,023,712	A *	5/1977	Babiak et al.	222/175
D252,195	S *	6/1979	Keys	D11/6
D257,572	S *	12/1980	Wefler	D3/208
D258,874	S *	4/1981	Hocq	D11/79
D278,609	S *	4/1985	Satterelli	D11/2
D292,243	S *	10/1987	O'Grady	D3/209
4,733,807	A *	3/1988	Porter et al.	224/604
D361,507	S *	8/1995	Langemann	D3/201
D381,803	S *	8/1997	Crego	D3/208

D395,840	S *	7/1998	Cato	D11/79
D433,225	S *	11/2000	Deiss et al.	D3/203.2
D468,659	S *	1/2003	Rauber	D11/81
D516,454	S *	3/2006	Gimpel	D11/79
D532,714	S *	11/2006	Scharr	D11/79
D586,253	S *	2/2009	Forster, Jr.	D11/80
D630,122	S *	1/2011	Gaspard	D11/73
D638,739	S *	5/2011	Rockefeller	D11/79
D639,696	S *	6/2011	Smith et al.	D11/79

\* cited by examiner

*Primary Examiner* — Cathron Brooks

*Assistant Examiner* — Melanie Pellegrini

(74) *Attorney, Agent, or Firm* — Milford A. Keshishian

(57) **CLAIM**

The ornamental design for a jewelry pendant, as shown and described.

**DESCRIPTION**

FIG. 1 is a perspective view of a first embodiment of a jewelry pendant showing our new design;

FIG. 2 is a front elevational view of FIG. 1;

FIG. 3 is a left end view of FIG. 1, the right end view being a mirror image thereof;

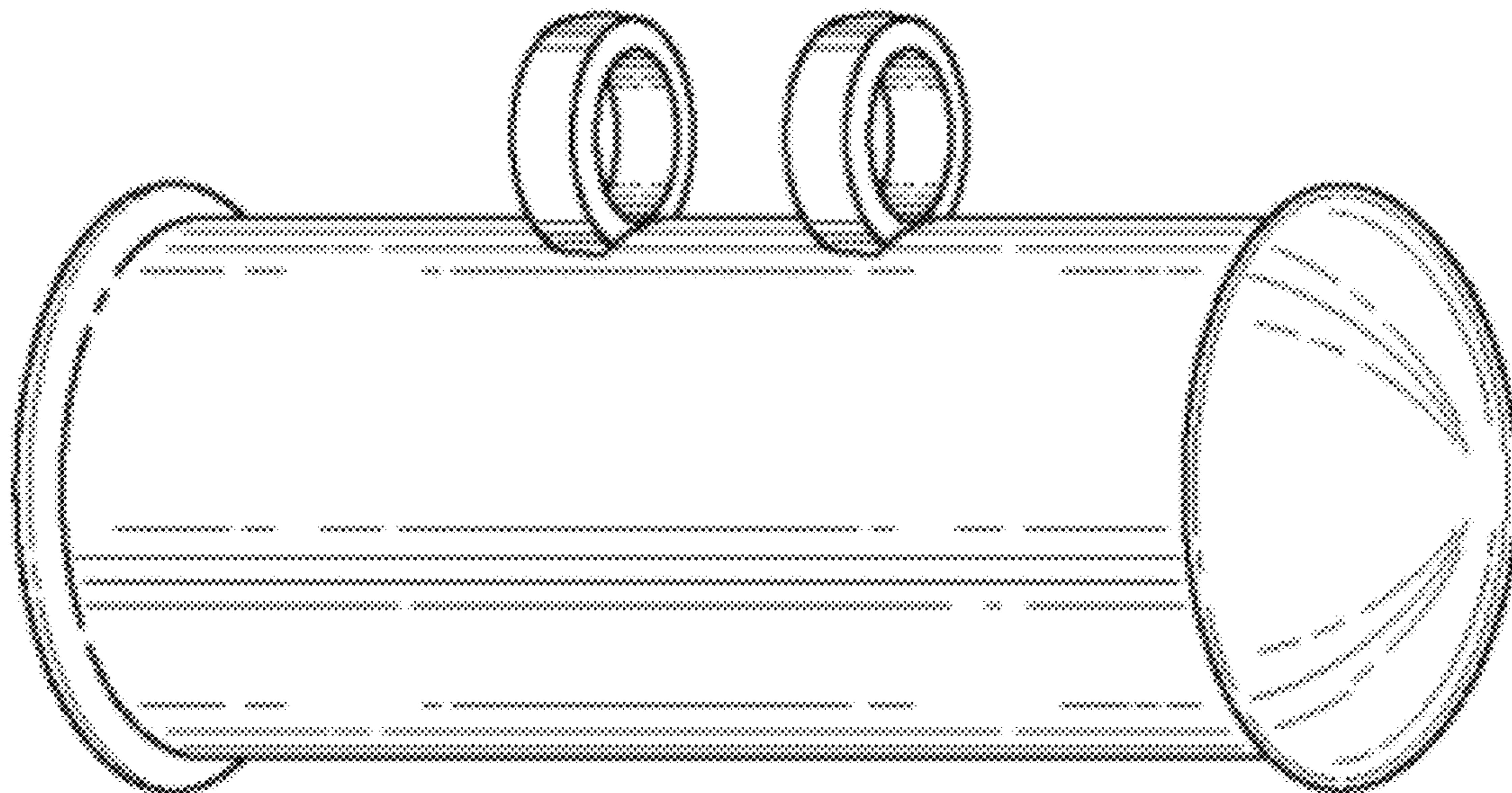
FIG. 4 is a top plan view of FIG. 1;

FIG. 5 is a bottom plan view of FIG. 1; and,

FIG. 6 is a perspective view of FIG. 1 in a disengaged state.

The broken lines shown in the drawings illustrate environmental matter, and form no part of the claimed design.

**1 Claim, 3 Drawing Sheets**



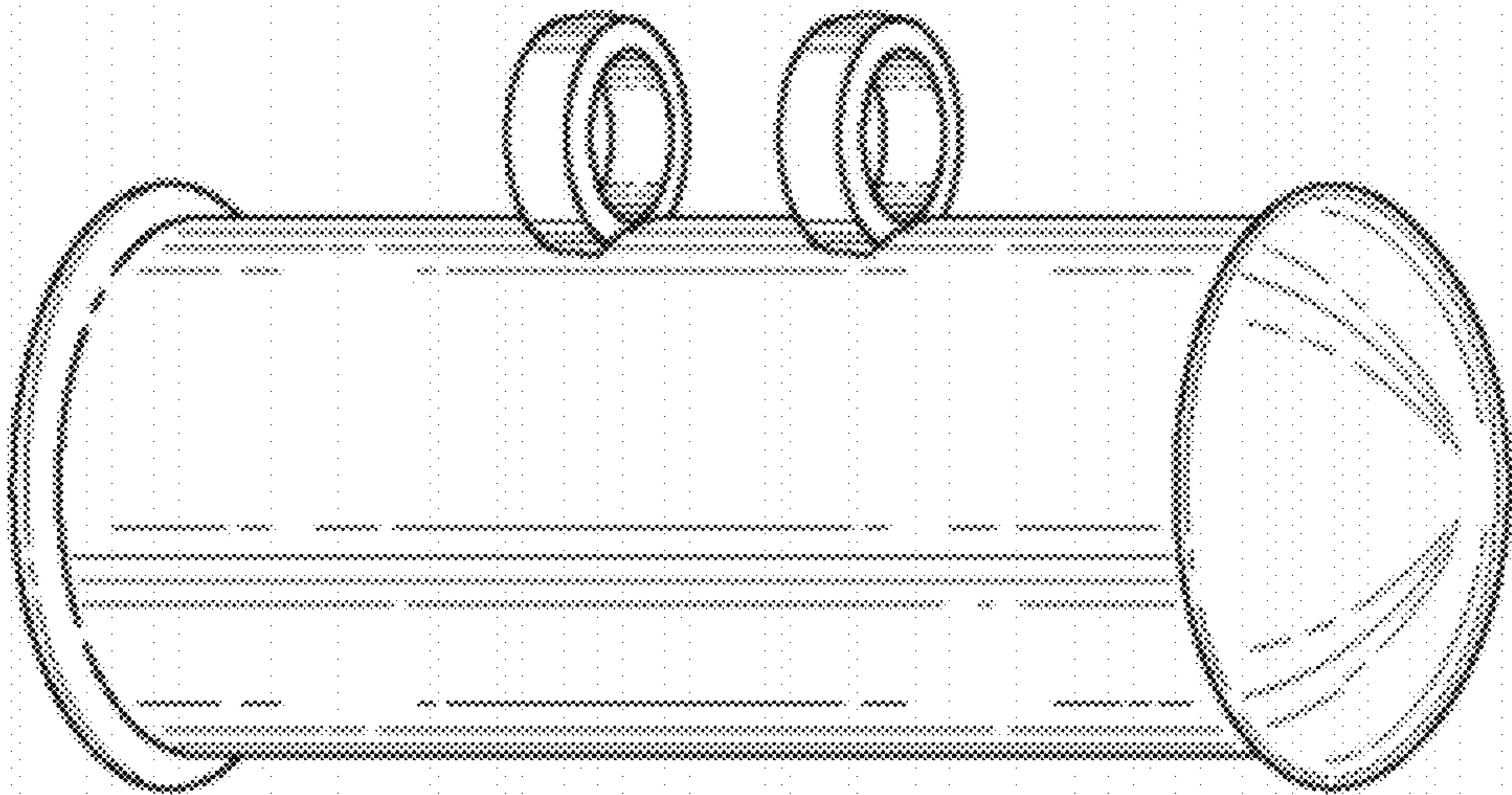


FIG. 1

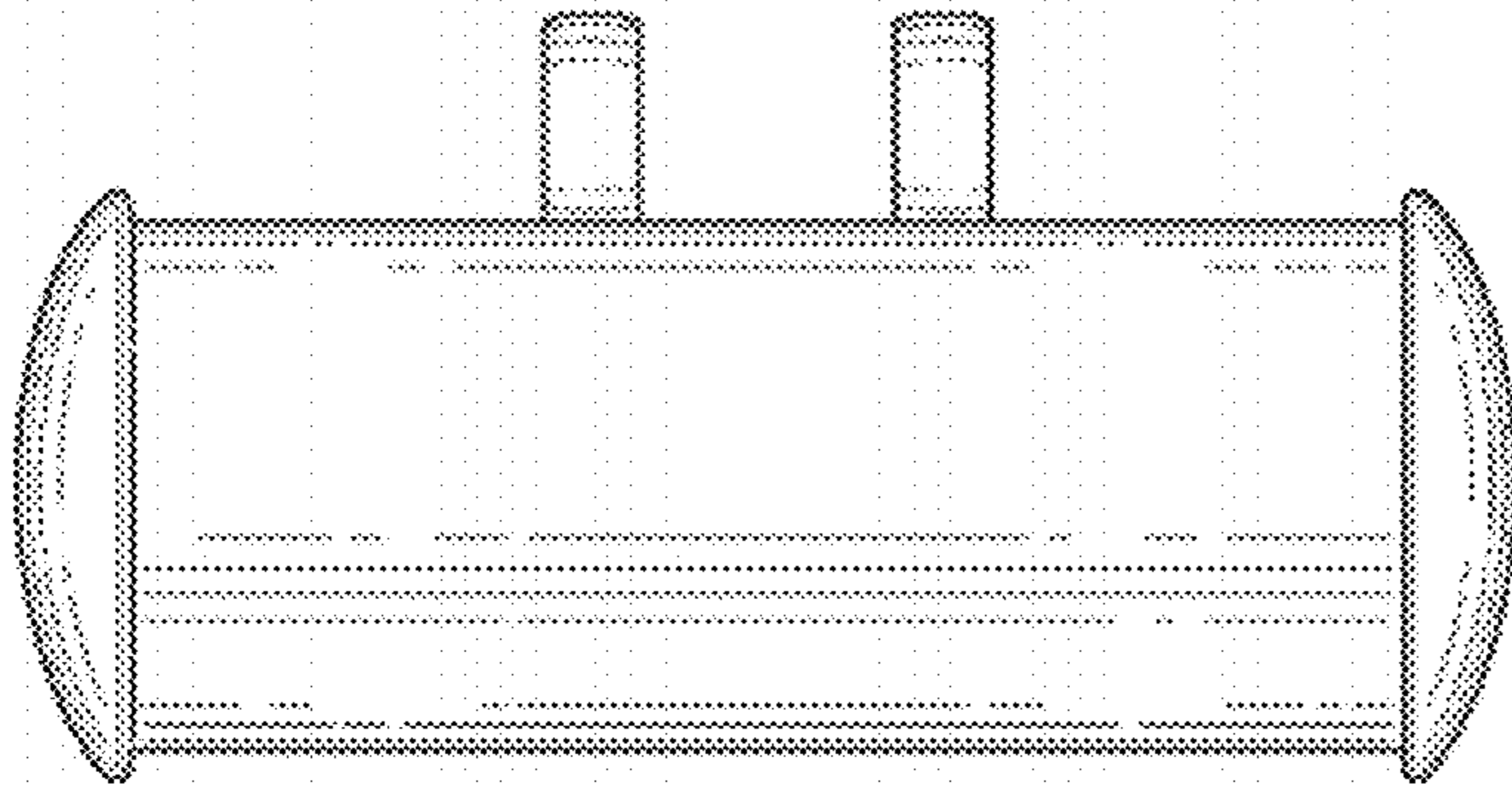


FIG. 2

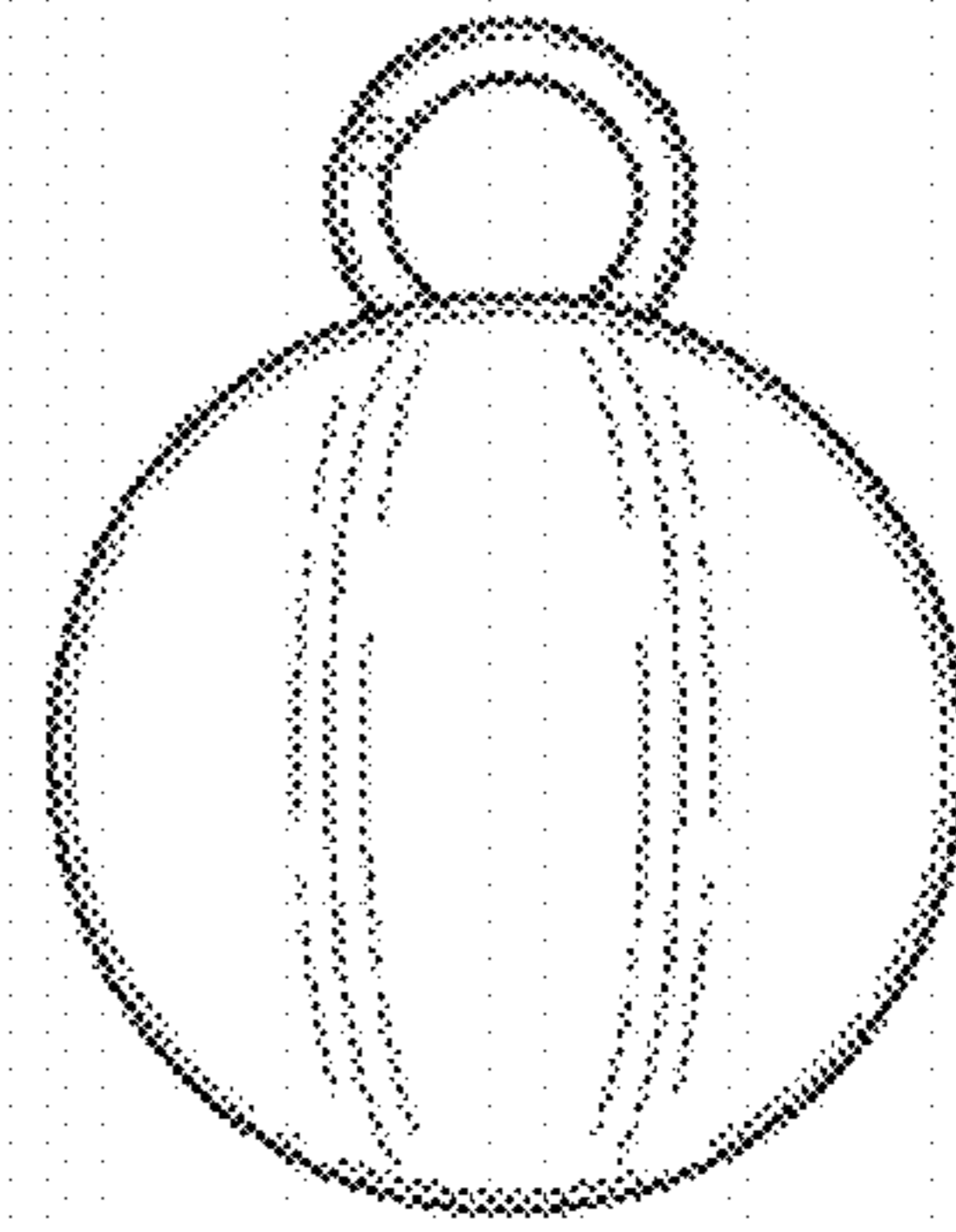


FIG. 3

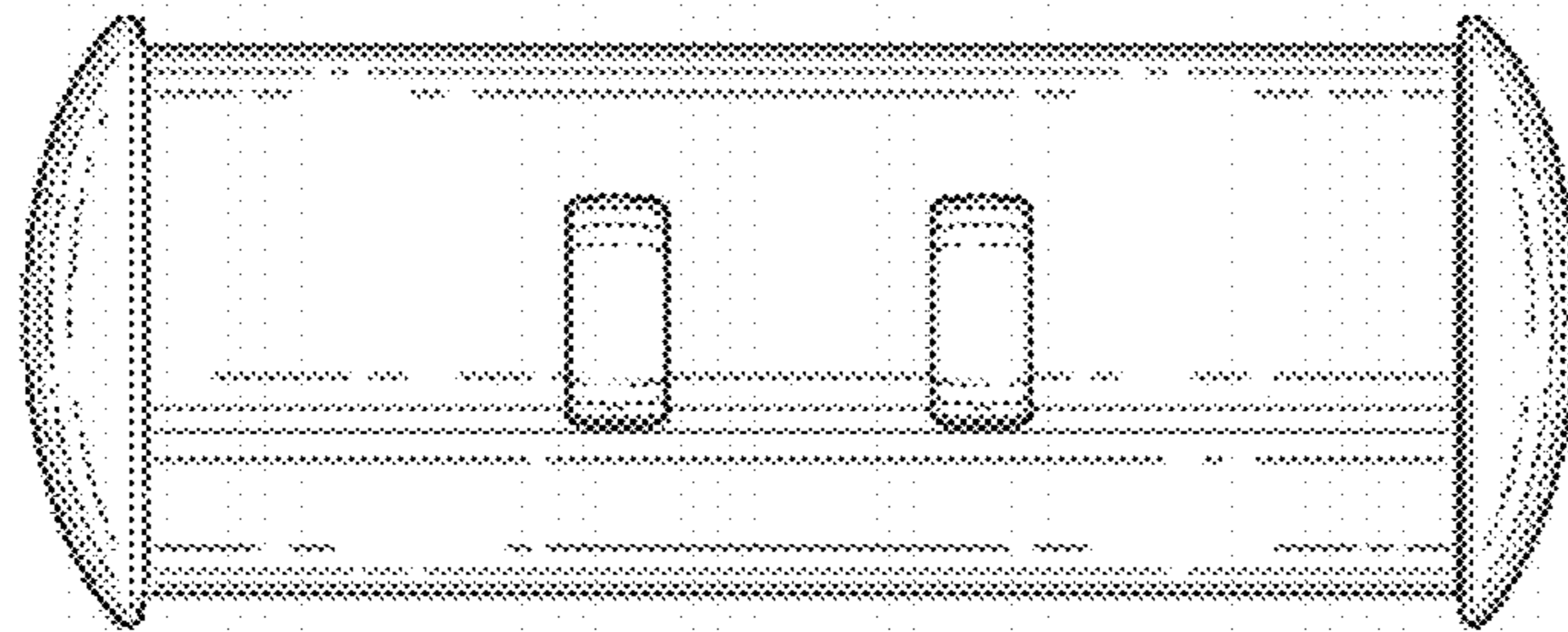


FIG. 4

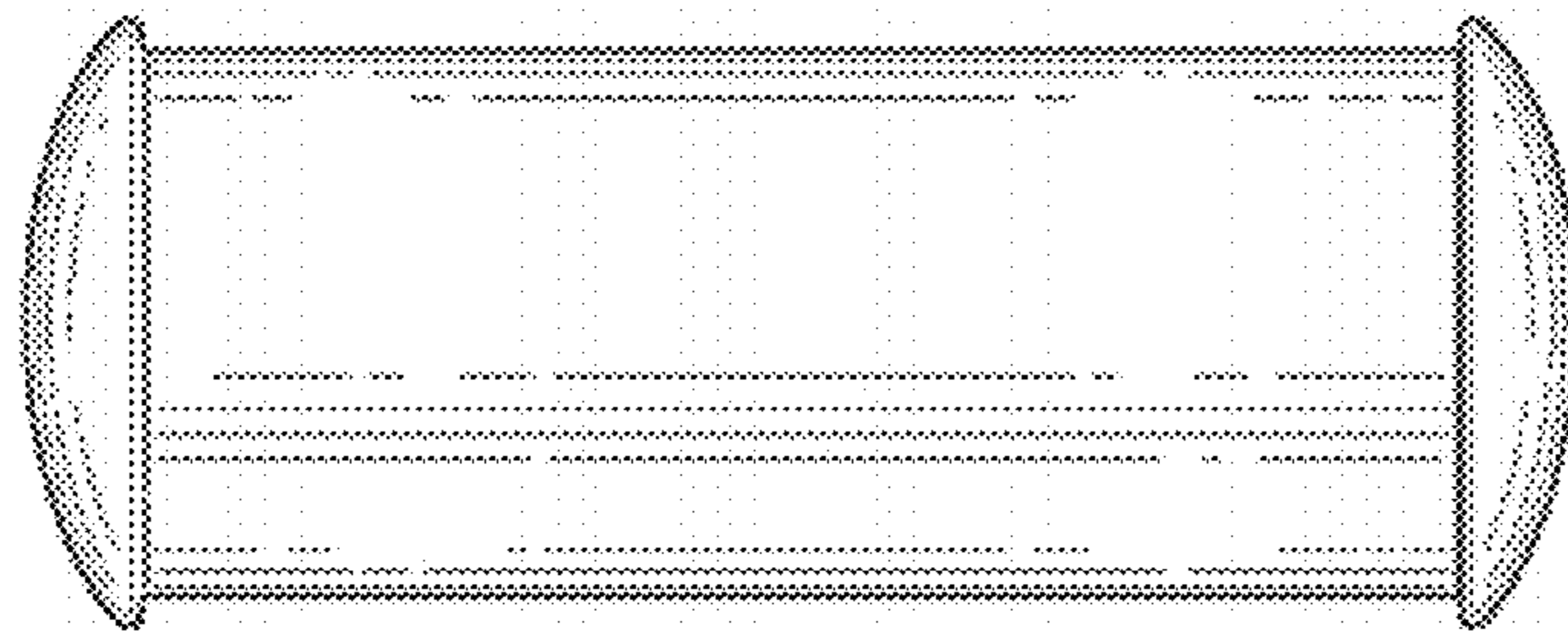


FIG. 5



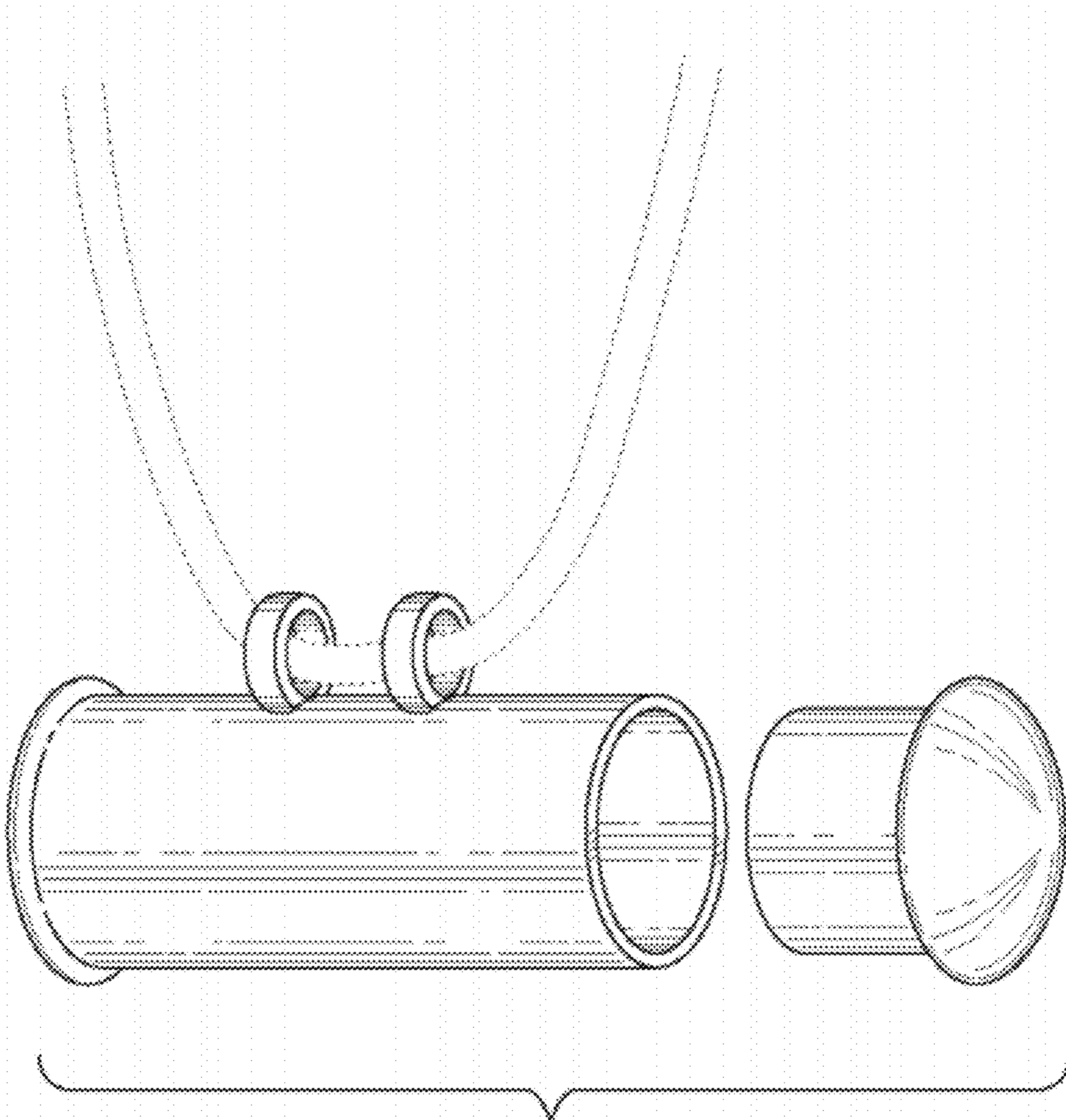


FIG. 6