



US00D675950S

(12) **United States Design Patent**
Knox

(10) **Patent No.:** **US D675,950 S**

(45) **Date of Patent:** **** Feb. 12, 2013**

(54) **SMOKE DETECTOR BATTERY INTERFACE**

Primary Examiner — George D Kirschbaum

(76) Inventor: **Christopher M. Knox**, Jacksonville, OR
(US)

(74) *Attorney, Agent, or Firm* — Jerry Haynes Law

(**) Term: **14 Years**

(57) **CLAIM**

The ornamental design for a smoke detector battery interface, as shown and described.

(21) Appl. No.: **29/428,060**

(22) Filed: **Jul. 25, 2012**

(51) **LOC (9) Cl.** **10-05**

(52) **U.S. Cl.** **D10/121**

(58) **Field of Classification Search** ... D10/106.1–106.5;
340/531, 540, 555, 558, 571, 556, 628, 632,
340/640, 693.1; 439/500

See application file for complete search history.

DESCRIPTION

FIG. 1 is a front perspective view of a smoke detector battery interface showing the new design;
FIG. 2 is a front view thereof;
FIG. 3 is a rear view thereof;
FIG. 4 is a top view thereof;
FIG. 5 is a bottom view thereof;
FIG. 6 is a left side view thereof;
FIG. 7 is a right side view thereof; and,
FIG. 8 is a left side view showing the smoke detector battery interface in the context it is intended to be used.
The dashed lines form no part of the claimed design.

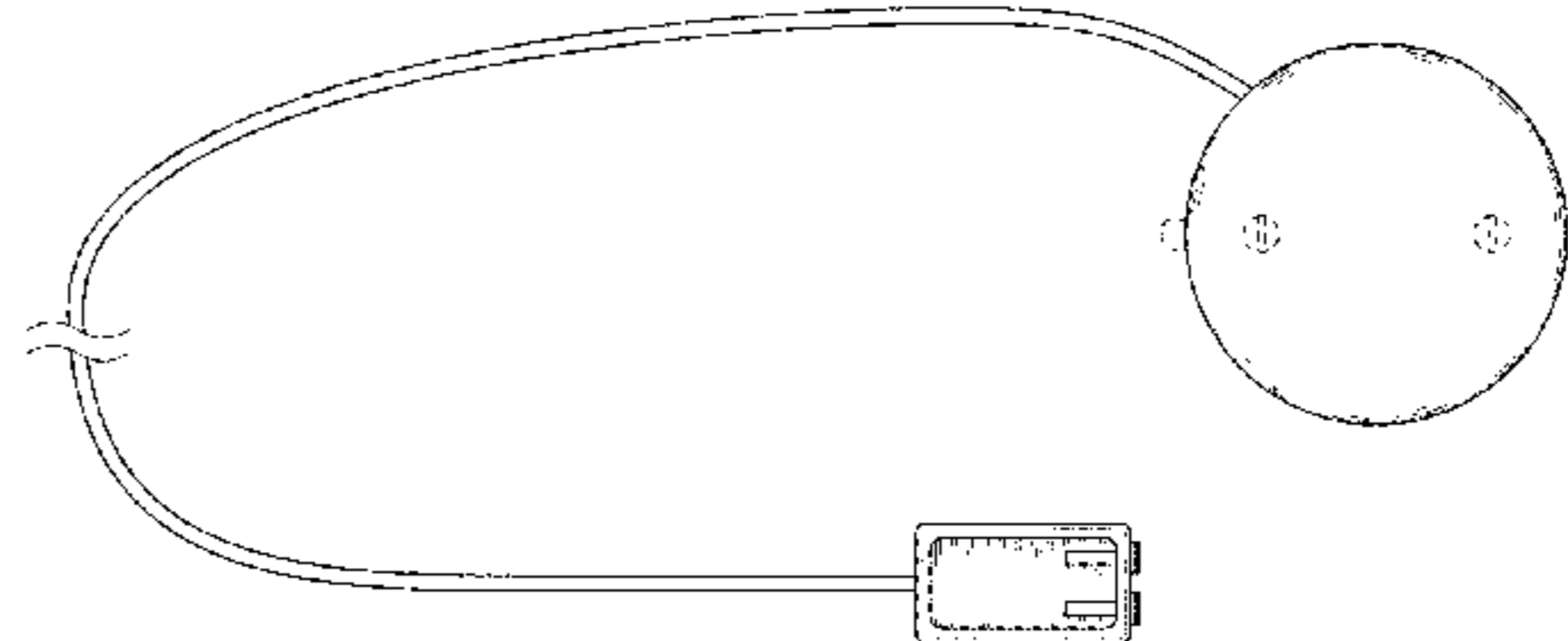
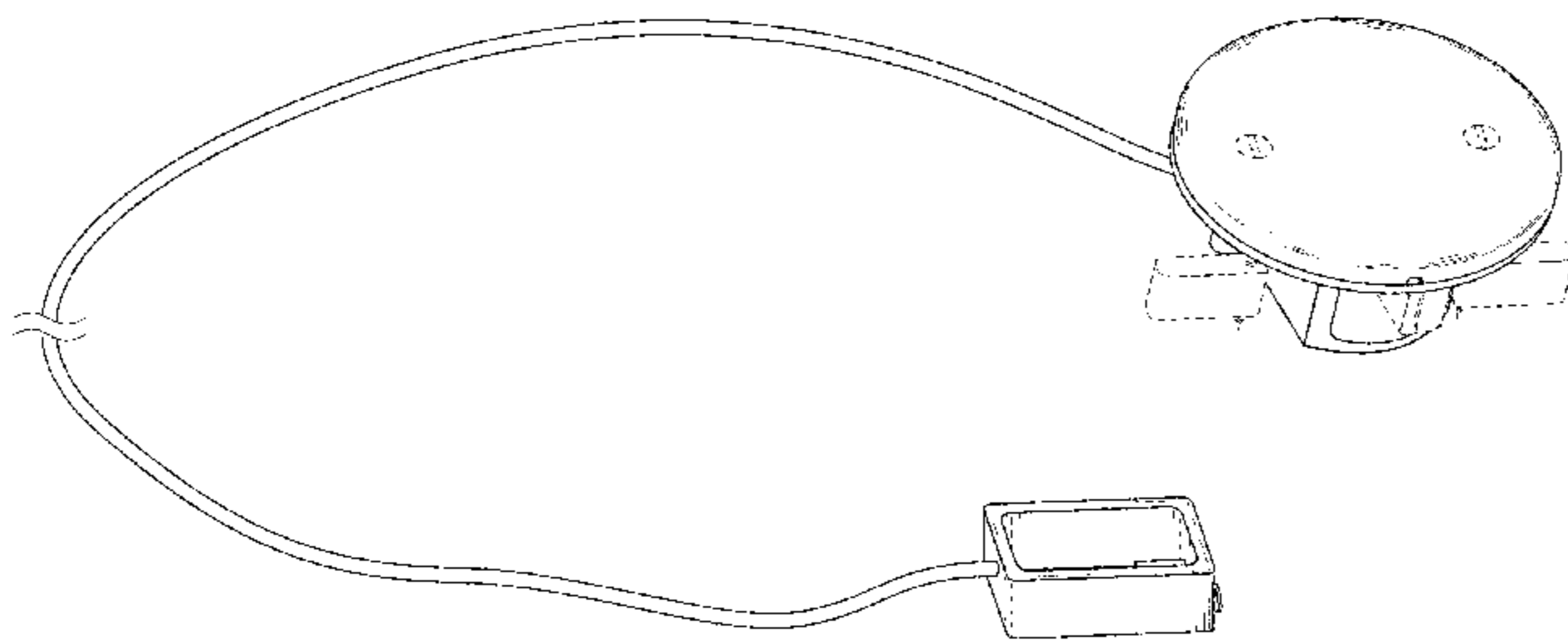
(56) **References Cited**

U.S. PATENT DOCUMENTS

D400,461 S *	11/1998	Cardinal	D10/106.2
5,876,242 A *	3/1999	Williams	439/500
6,172,612 B1 *	1/2001	Odachowski	340/628
2007/0103330 A1 *	5/2007	McGrath	340/693.1

* cited by examiner

1 Claim, 4 Drawing Sheets



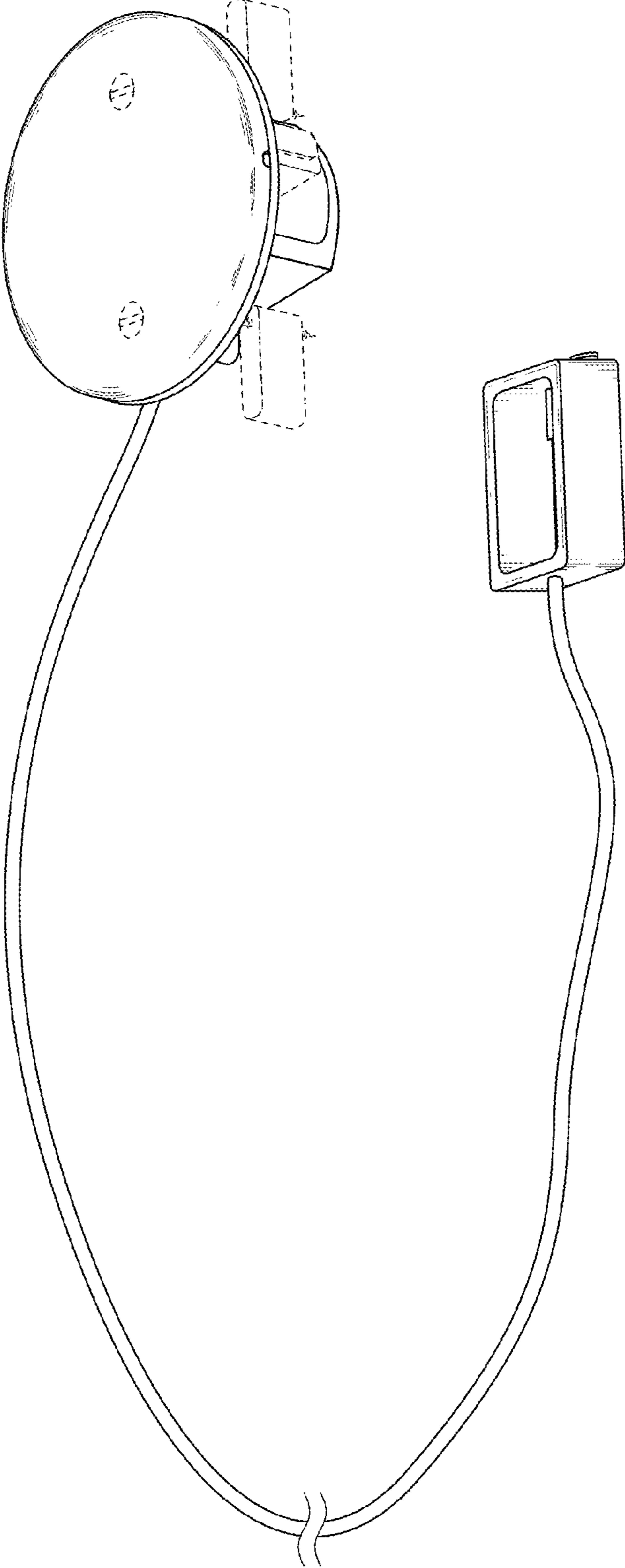


FIG. 1

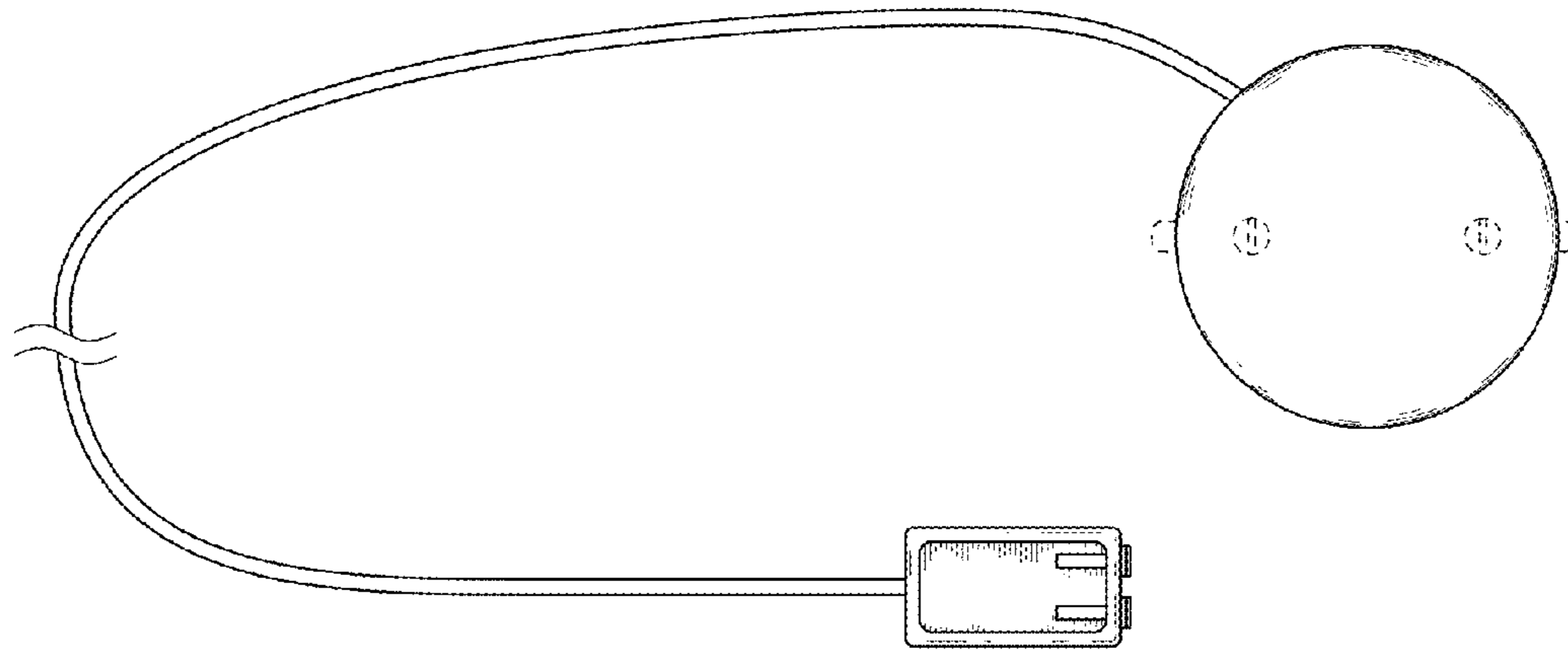


FIG. 2

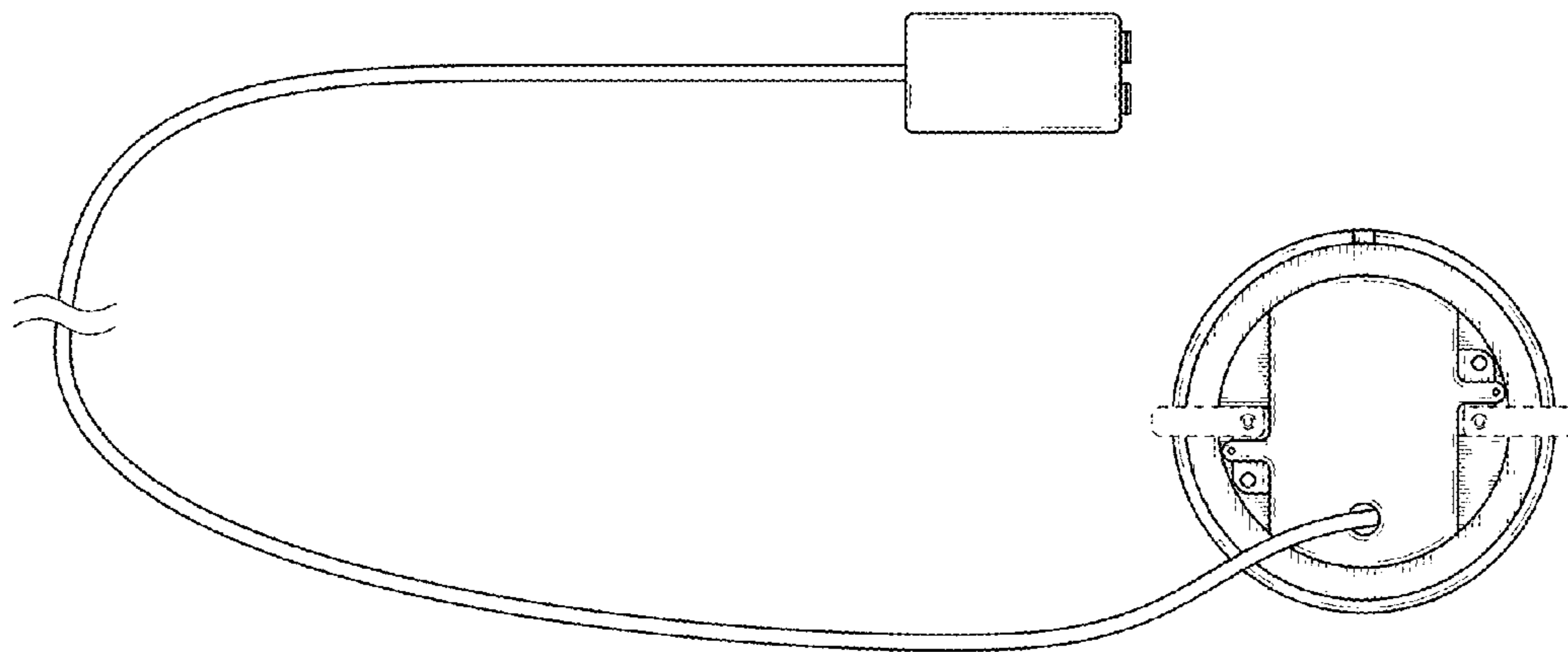


FIG. 3

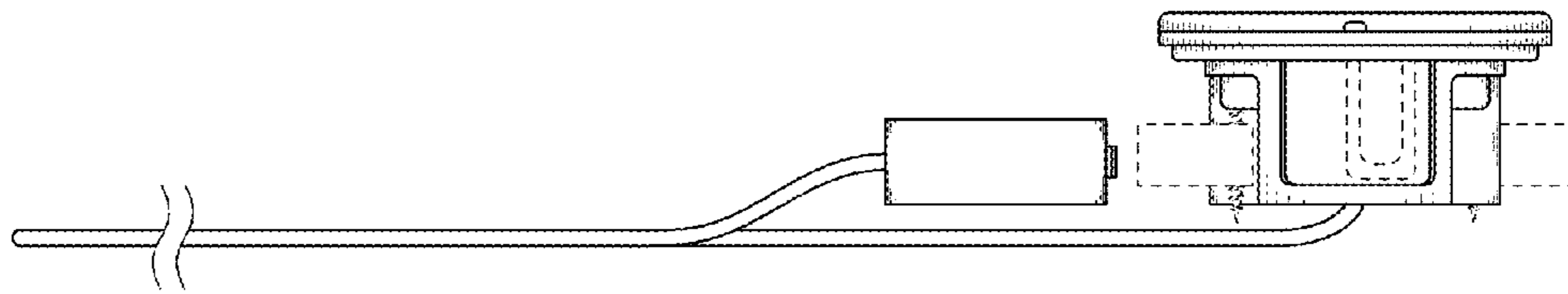


FIG. 4

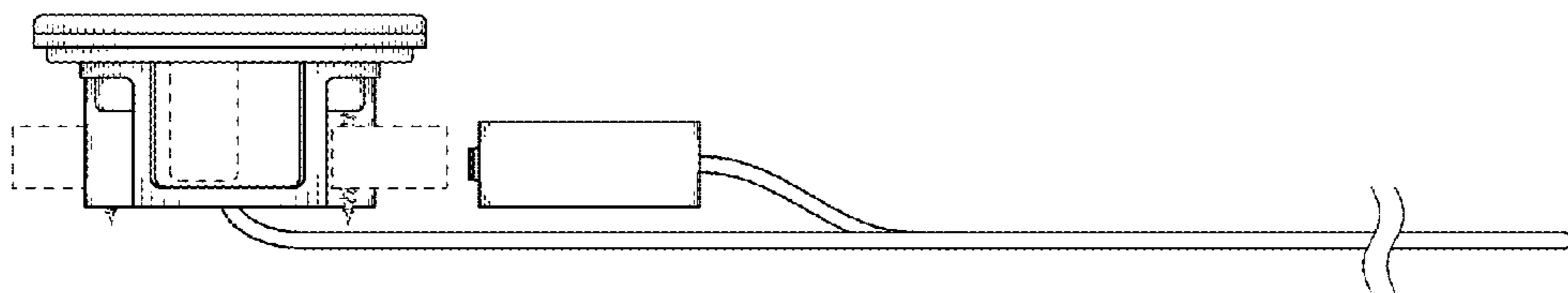


FIG. 5

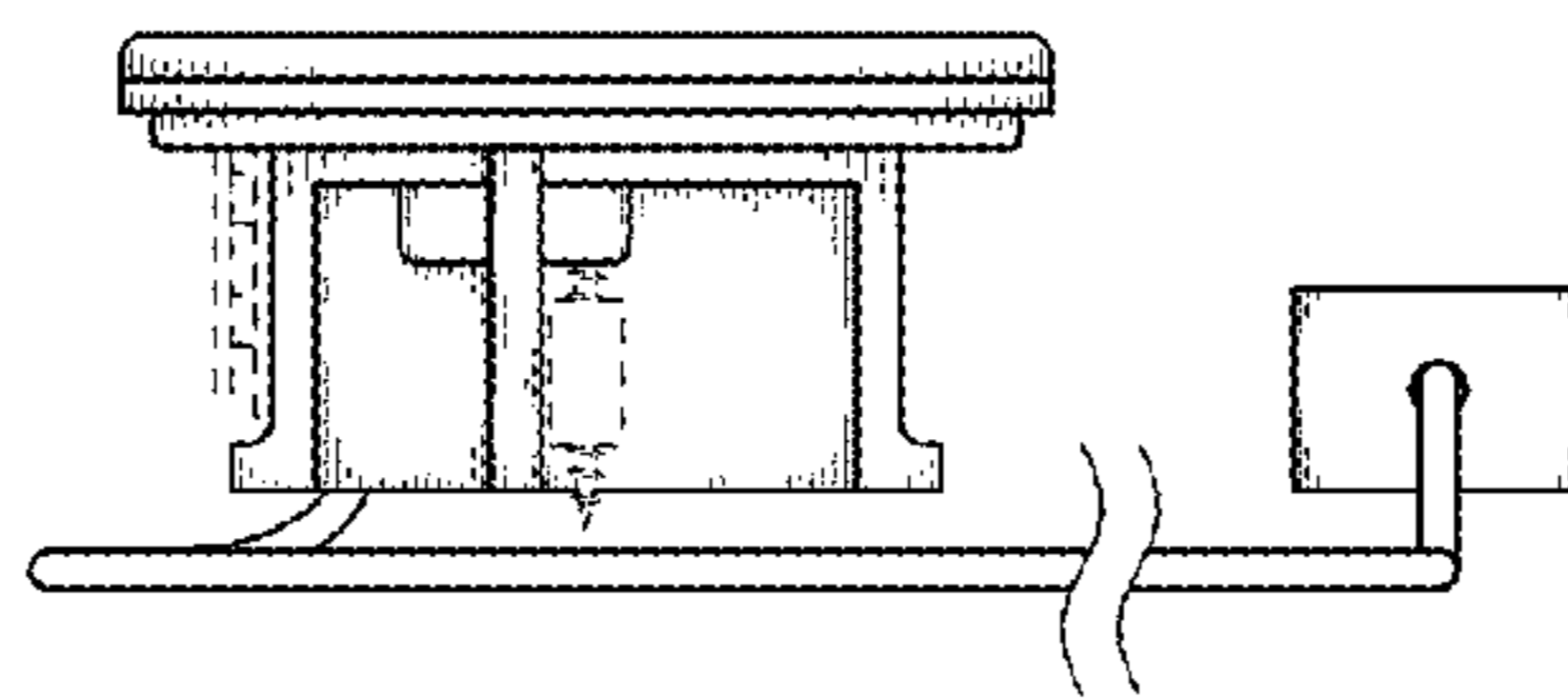


FIG. 6

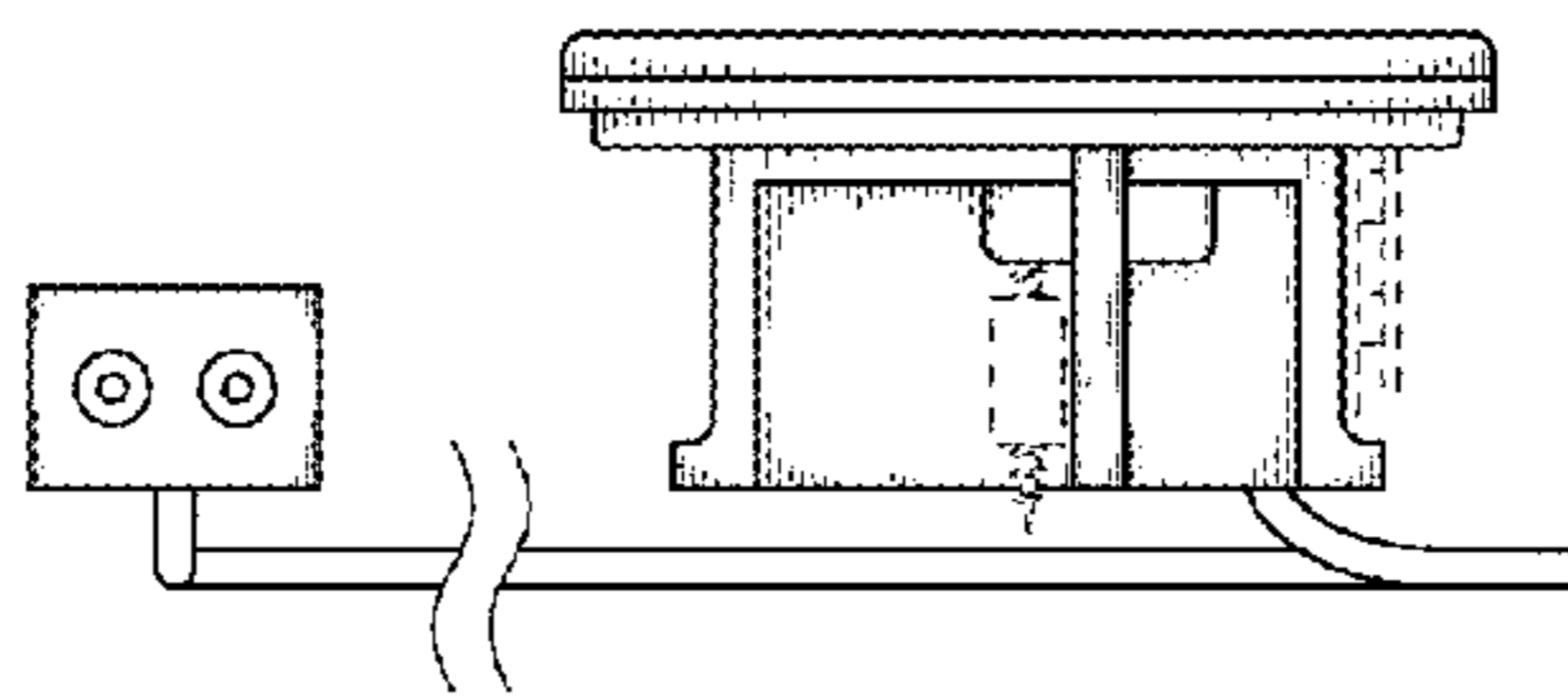


FIG. 7

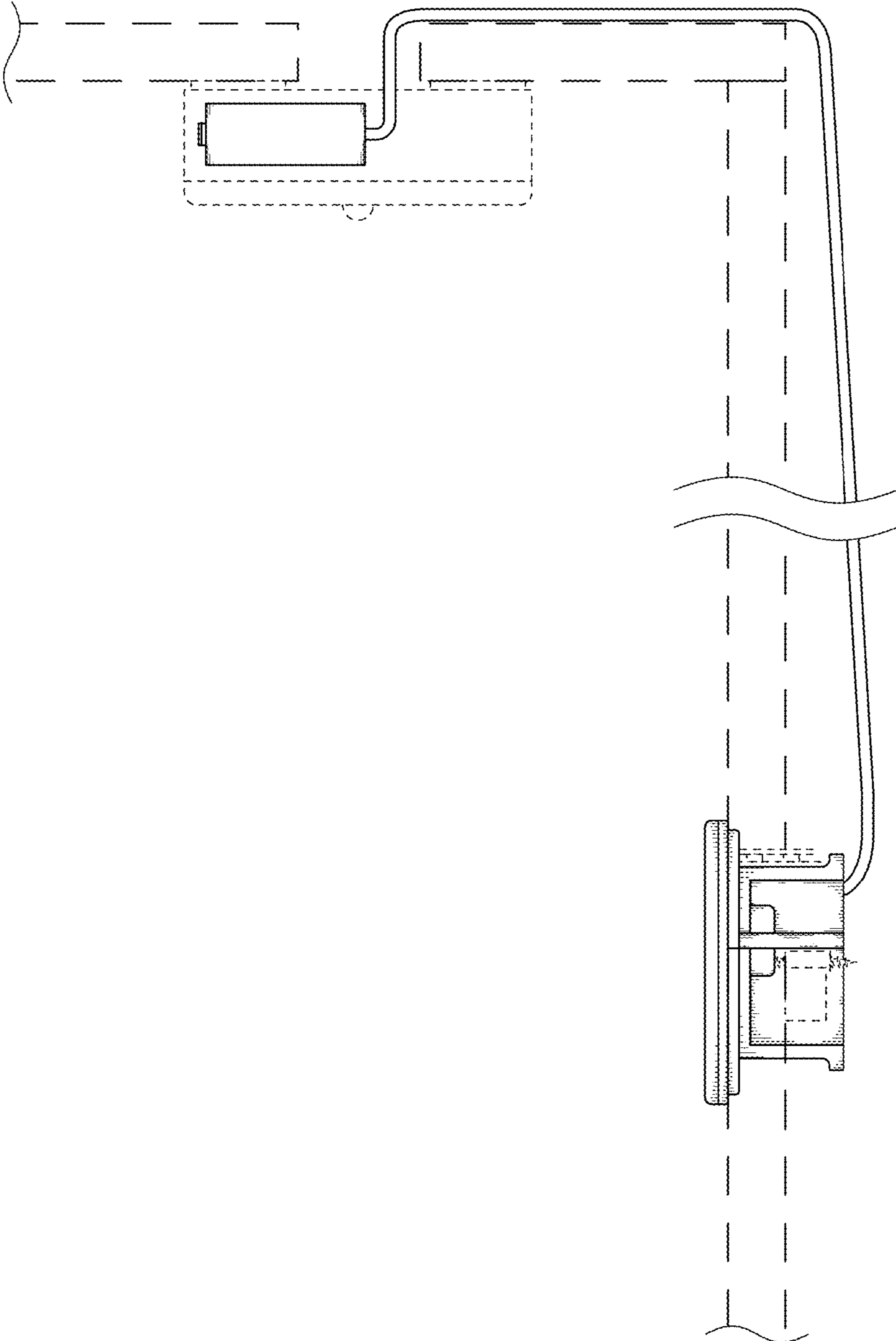


FIG. 8