



US00D675949S

(12) **United States Design Patent**
Chang et al.

(10) **Patent No.:** **US D675,949 S**

(45) **Date of Patent:** **** Feb. 12, 2013**

(54) **RFID TAG**

(75) Inventors: **Hsin-Pei Chang**, New Taipei (TW);
Zong-Yuan Sun, New Taipei (TW);
Da-Hua Xiao, Shenzhen (CN)

(73) Assignee: **Hon Hai Precision Industry Co., Ltd.**,
New Taipei (TW)

(**) Term: **14 Years**

(21) Appl. No.: **29/414,093**

(22) Filed: **Feb. 24, 2012**

(51) **LOC (9) Cl.** **10-05**

(52) **U.S. Cl.** **D10/106.9**

(58) **Field of Classification Search** ... D10/106.9–16.94,
D10/113.1, 106.8; 340/572.1, 572.3, 572.7–572.9;
70/57, 57.1, 58–59; 343/705; D8/330–348;
D13/107, 103

See application file for complete search history.

(56) **References Cited**

U.S. PATENT DOCUMENTS

D561,626 S * 2/2008 Cherneff et al. D10/106.9
7,522,054 B2 * 4/2009 Takei 340/572.1
D639,194 S * 6/2011 Kaufman et al. D10/106.8

* cited by examiner

Primary Examiner — George D Kirschbaum

(74) *Attorney, Agent, or Firm* — Altis Law Group, Inc.

(57) **CLAIM**

The ornamental design for a RFID tag, as shown and described.

DESCRIPTION

FIG. 1 is a perspective view of a RFID tag showing our new design;

FIG. 2 is a front elevational view of the new design;

FIG. 3 is a rear elevational view of the new design;

FIG. 4 is a right side elevational view of the new design;

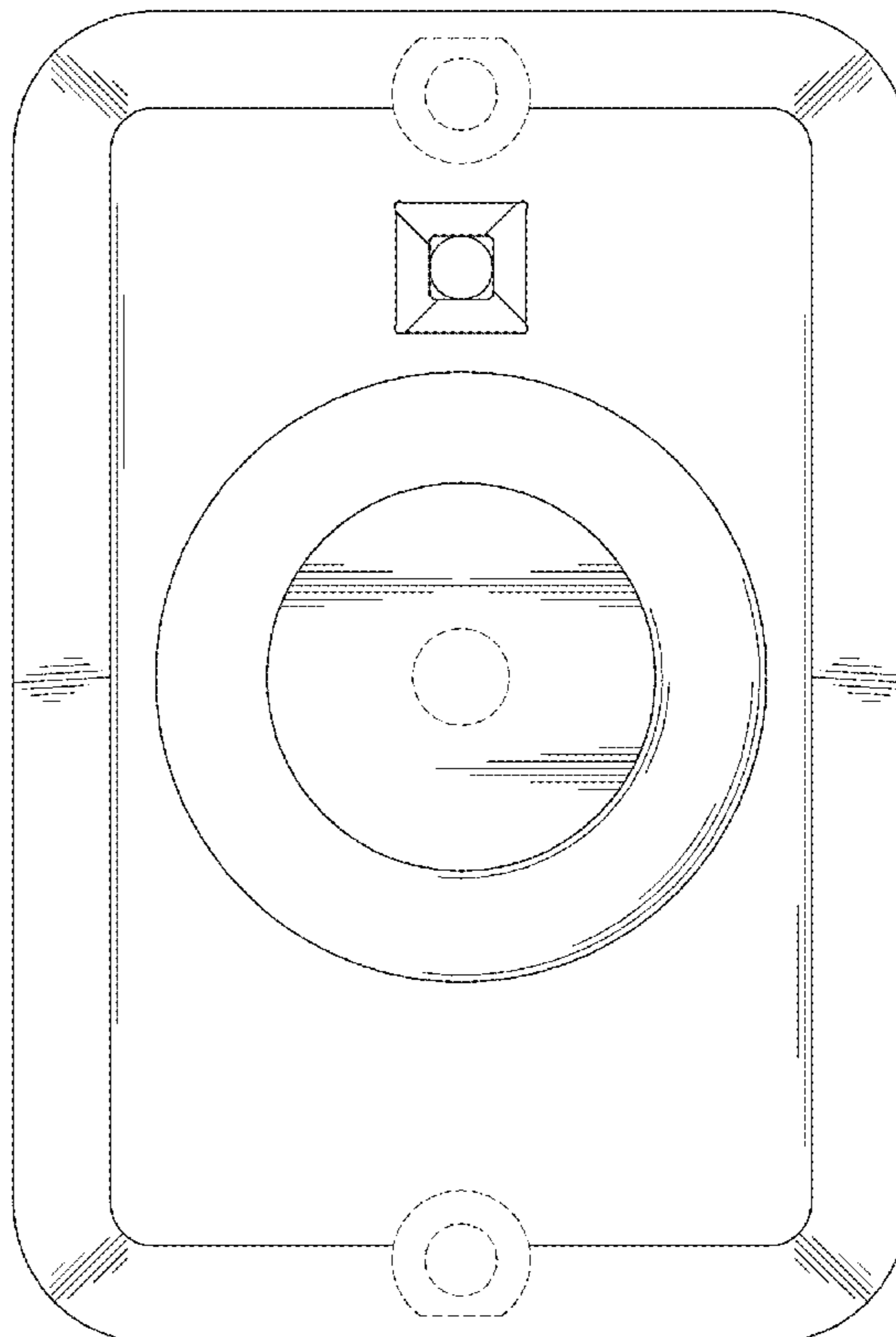
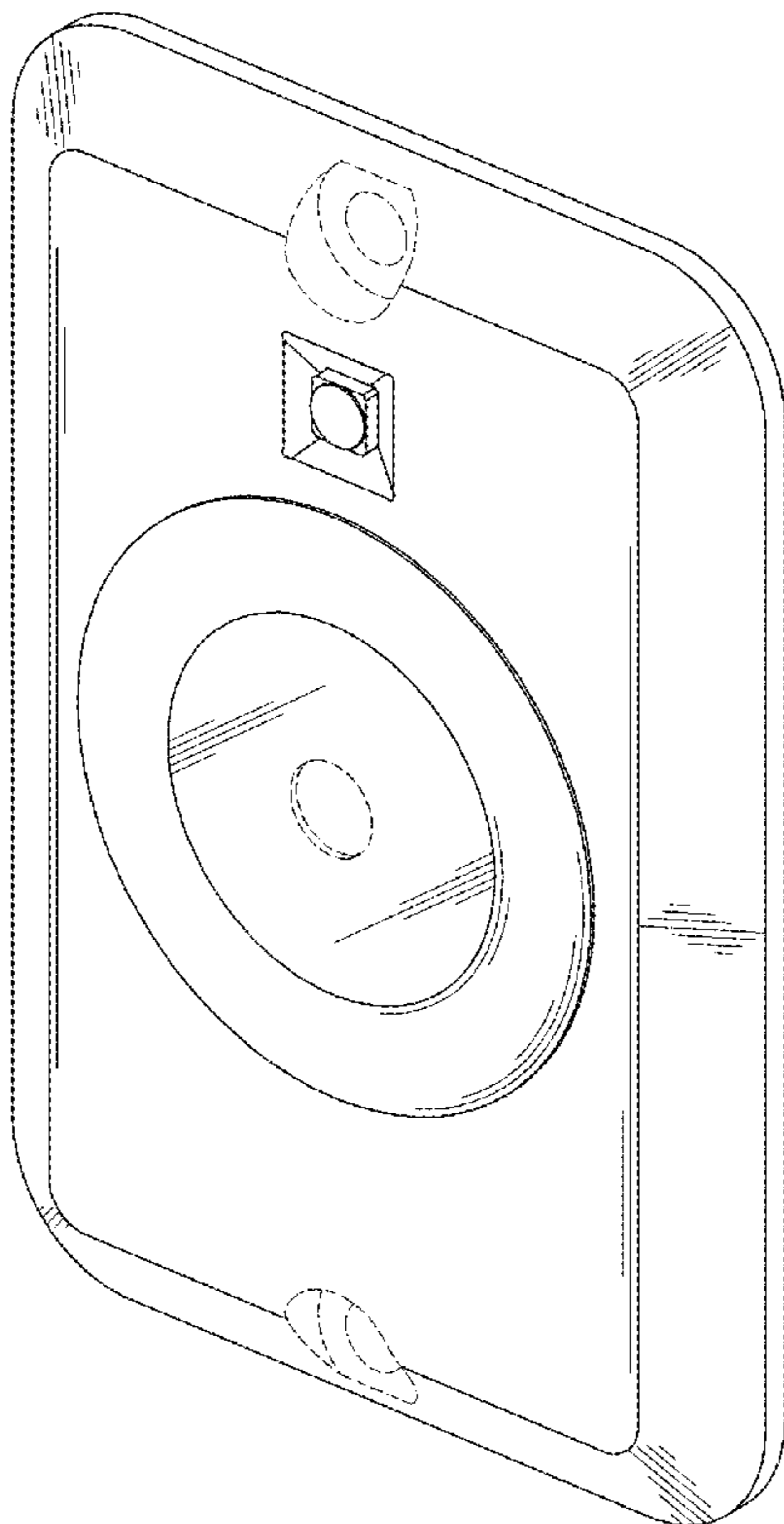
FIG. 5 is a left side elevational view of the new design;

FIG. 6 is a top plan view of the new design; and,

FIG. 7 is a bottom plan view of the new design.

The broken line showing of mounting holes and compartment hatch on the back of the design is included for the purpose of illustrating portions of the “article” and forms no part of the claimed design.

1 Claim, 7 Drawing Sheets



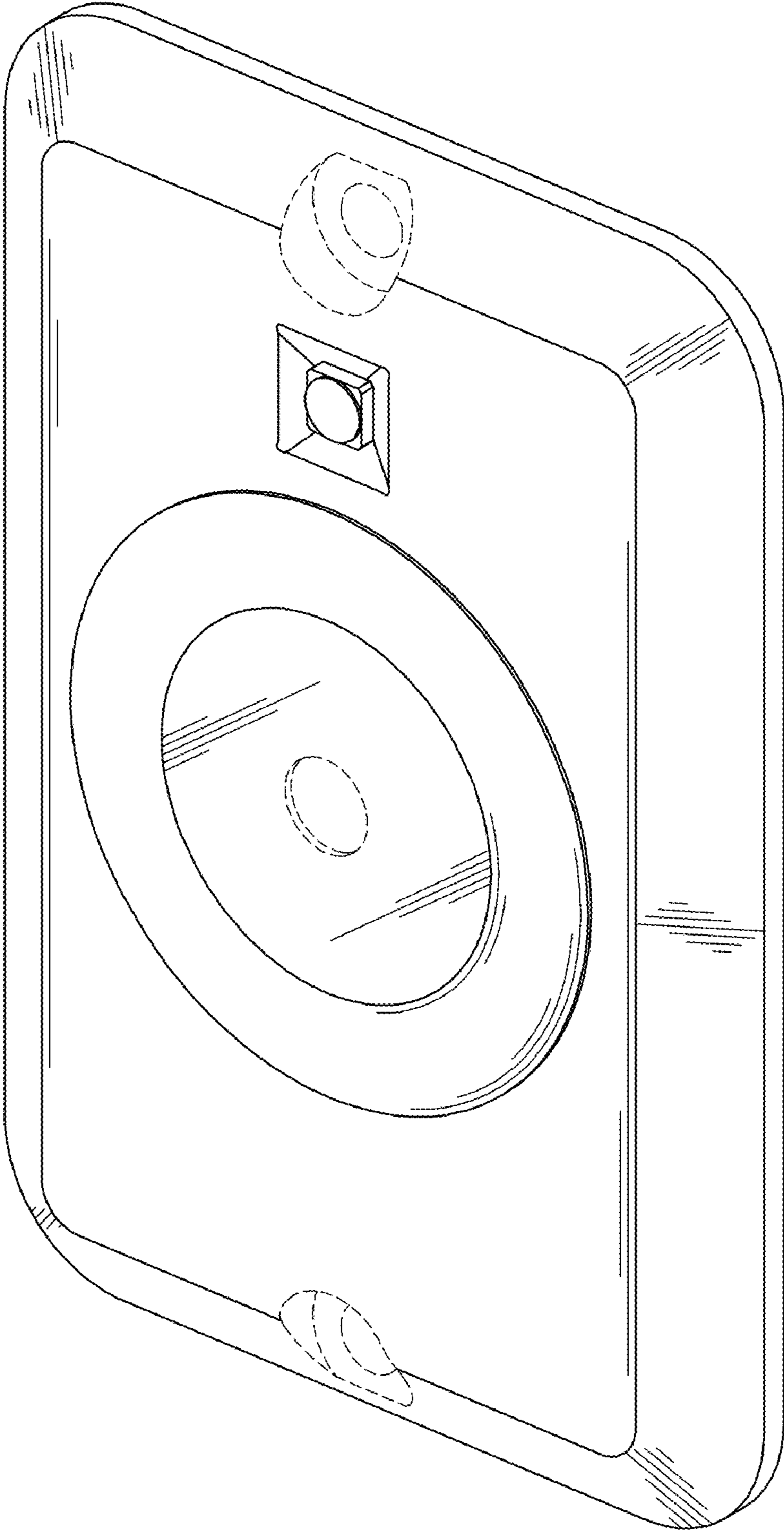


FIG. 1

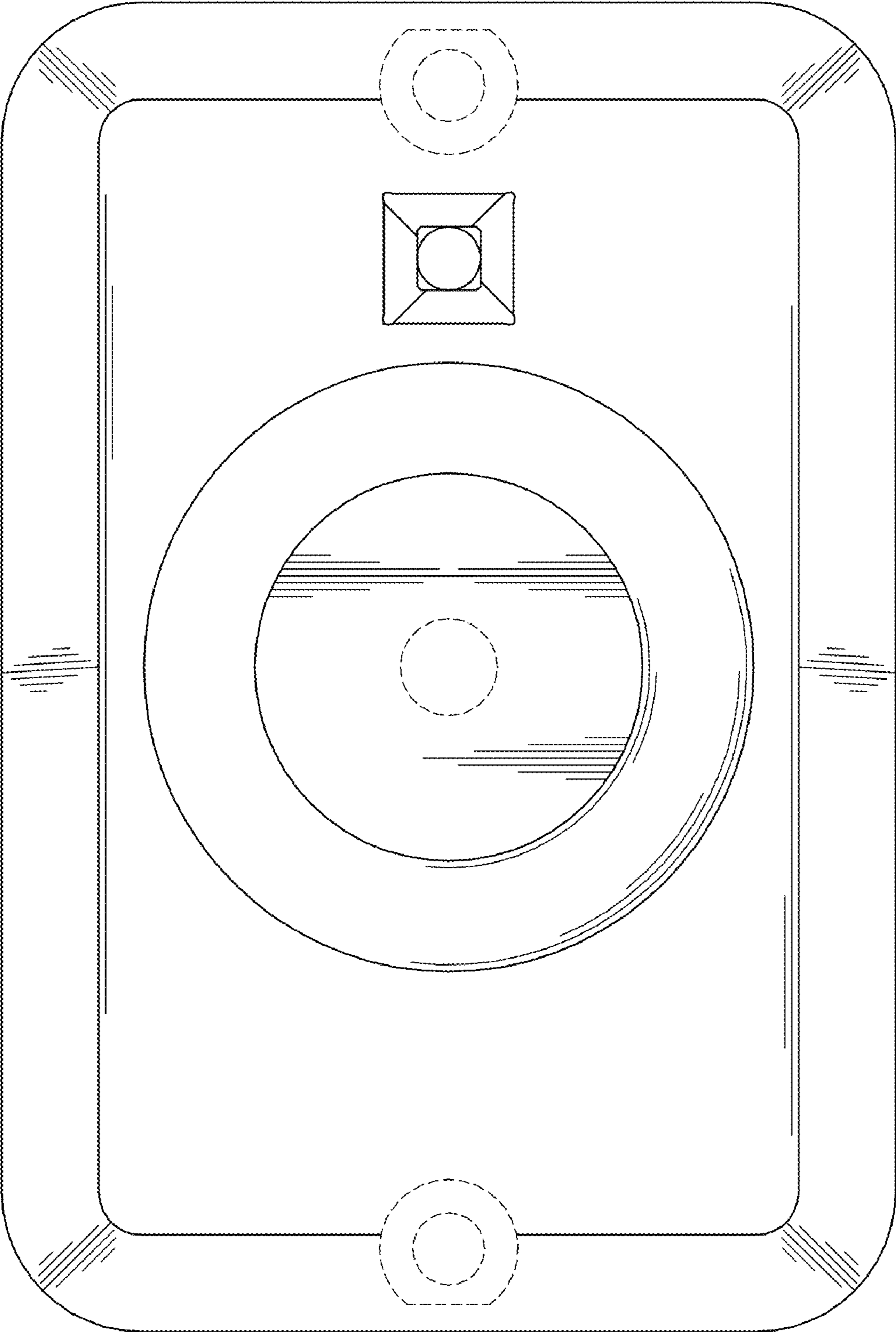


FIG. 2

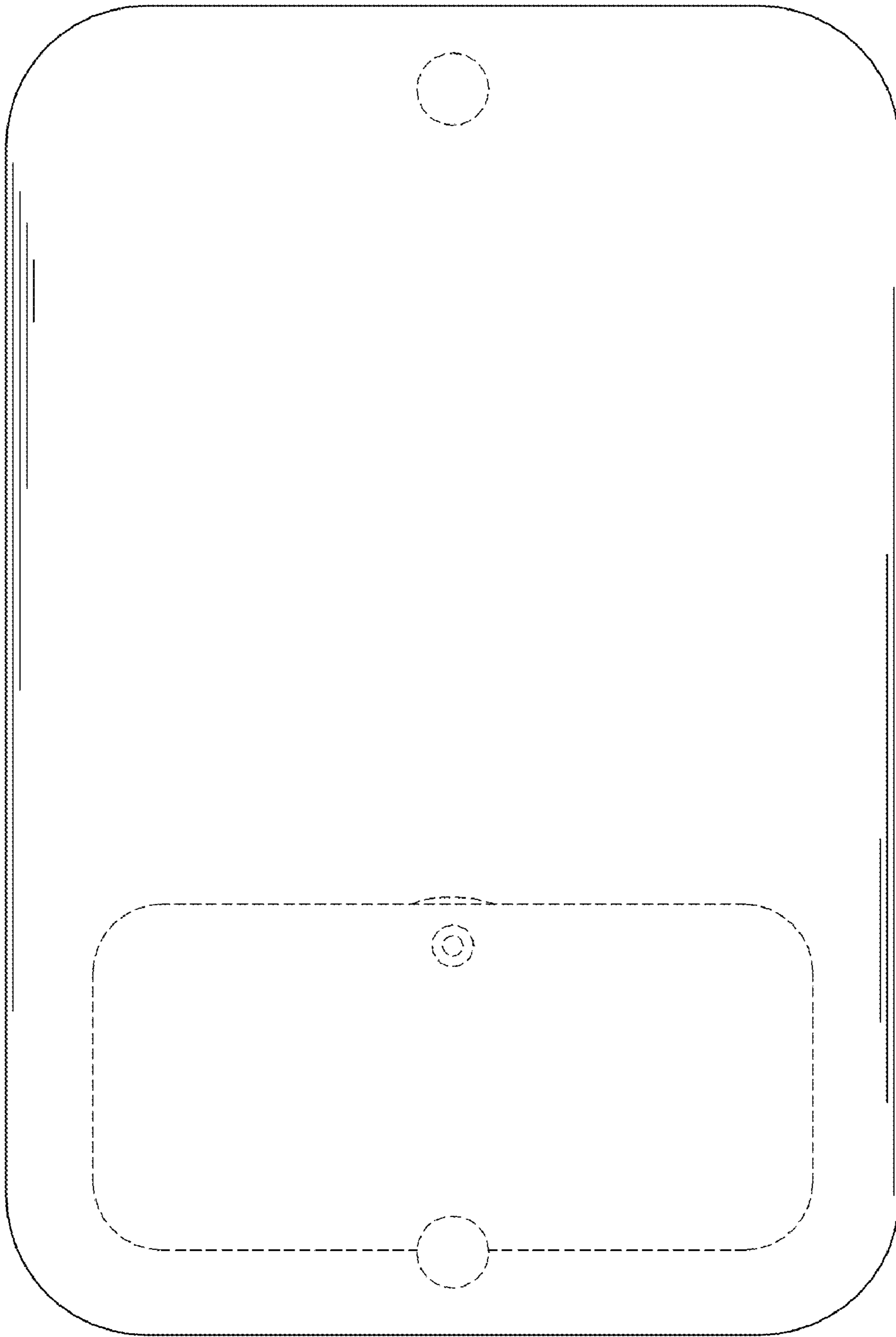


FIG. 3

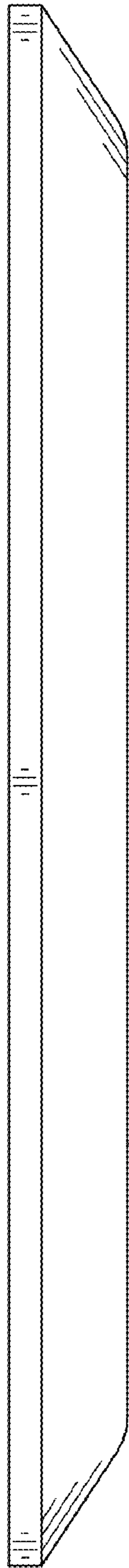


FIG. 4

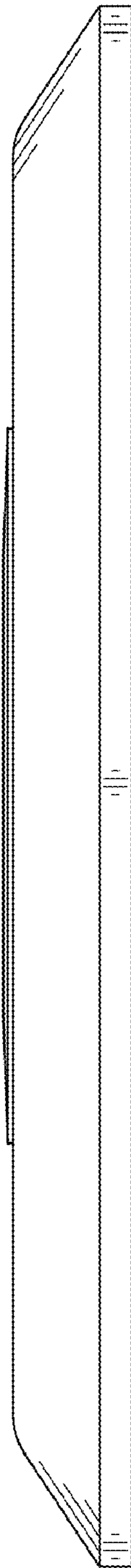


FIG. 5

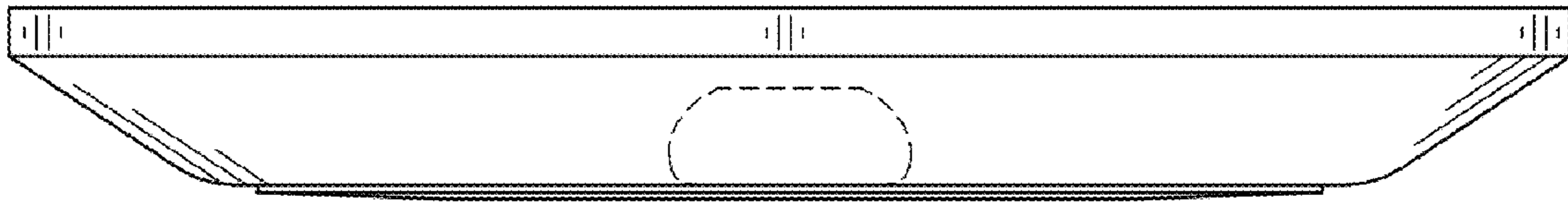


FIG. 6

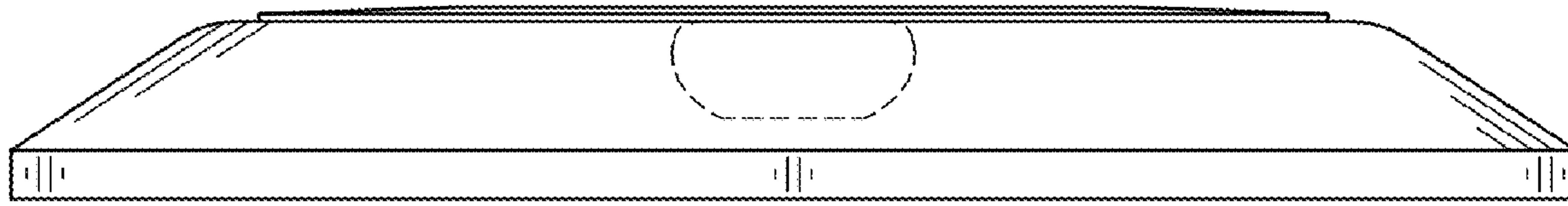


FIG. 7