



US00D675948S

(12) **United States Design Patent**
Kawaguchi et al.

(10) **Patent No.:** **US D675,948 S**

(45) **Date of Patent:** **** Feb. 12, 2013**

(54) **HEAT AND SMOKE DETECTOR**

(75) Inventors: **Koichiro Kawaguchi**, Tokyo (JP);
Hidetaka Irumano, Tokyo (JP);
Manabu Matsumoto, Tokyo (JP);
Masashi Arikawa, Tokyo (JP)

(73) Assignee: **Hochiki Corporation**, Tokyo (JP)

(**) Term: **14 Years**

(21) Appl. No.: **29/387,045**

(22) Filed: **Mar. 8, 2011**

(30) **Foreign Application Priority Data**

Oct. 5, 2010 (JP) 2010-23799

(51) **LOC (9) Cl.** **10-05**

(52) **U.S. Cl.** **D10/106.5**

(58) **Field of Classification Search** D10/106.5;
340/531, 540, 555, 558, 571, 556, 628, 632,
340/640

See application file for complete search history.

(56) **References Cited**

U.S. PATENT DOCUMENTS

D339,756 S * 9/1993 Igarashi et al. D10/106.5
D388,351 S * 12/1997 Repp et al. D10/106.5
D388,352 S * 12/1997 Repp et al. D10/106.5
D391,185 S * 2/1998 Tomizawa D10/106.5
D628,108 S * 11/2010 Akdag et al. D10/106.5

OTHER PUBLICATIONS

Fire Detection Solutions, [apollo-fire.com.uk/ .../discovery.aspx](http://apollo-fire.com.uk/.../discovery.aspx), 1 page dated Mar. 22, 2011.

Zeta, Issue No. 2, last updated, Jun. 13, 2007, FEA012000, Fyreye Addressable Optical Smoke Detectors, 1 page.

System Sensor, Series 200 Advanced, Copyright 2009, Photoelectric Smoke/Thermal Multi-Criteria First Detector, Model 22051TE, 2 pages.

Honeywell International Inc. 2003-2011, <http://www.notifierfiresystems.co.uk/category.asp?id=248>, Notifier Fire Systems, dated Mar. 17, 20011, 1 page.

* cited by examiner

Primary Examiner — George D Kirschbaum

(74) *Attorney, Agent, or Firm* — Andrew F. Young, Esq.; Lackenbach Siegel, LLP

(57) **CLAIM**

The ornamental design for a heat and smoke detector, as shown and described.

DESCRIPTION

FIG. 1 is a perspective view of the proposed design.

FIG. 2 is a top plan view of FIG. 1.

FIG. 3 is a front elevation view of FIG. 1.

FIG. 4 is a bottom plan view of FIG. 1.

FIG. 5 is a left side elevation view of FIG. 1.

FIG. 6 is a right side elevation view of FIG. 1; and,

FIG. 7 is a rear elevation view of FIG. 1.

No claim is made to the portions shown in dashed shadow lines in the images. The interior portions of the item are also shown in dashed shadow lines and are also not claimed. Minor opening holes are also not claimed and are shown in dashed shadow lines. The surface is lined for contour and no claim is made to the contour designations. The bottom is unadorned and no claim is made to the bottom surface as the item is claimed as if on a surface.

1 Claim, 4 Drawing Sheets

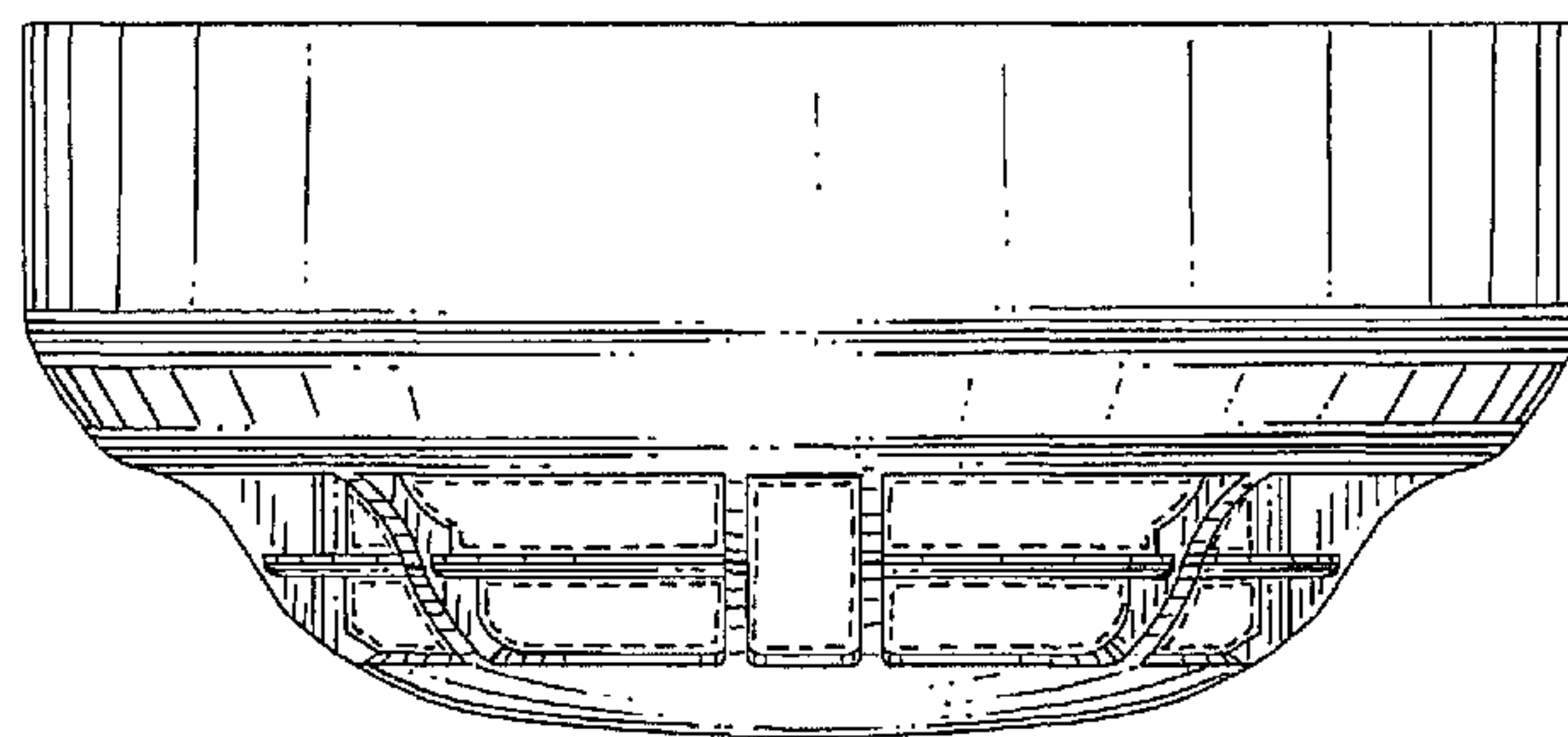
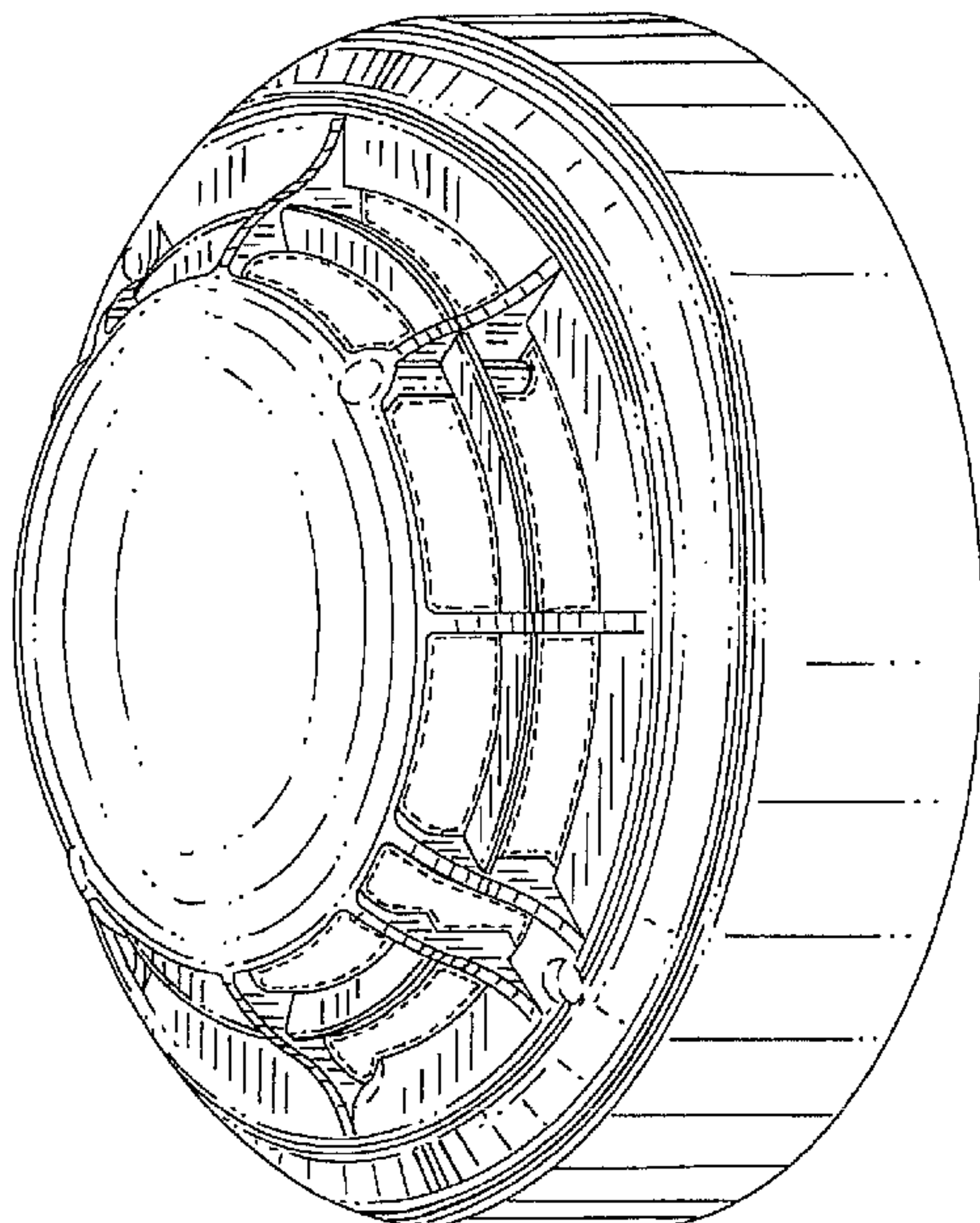


FIG. 1

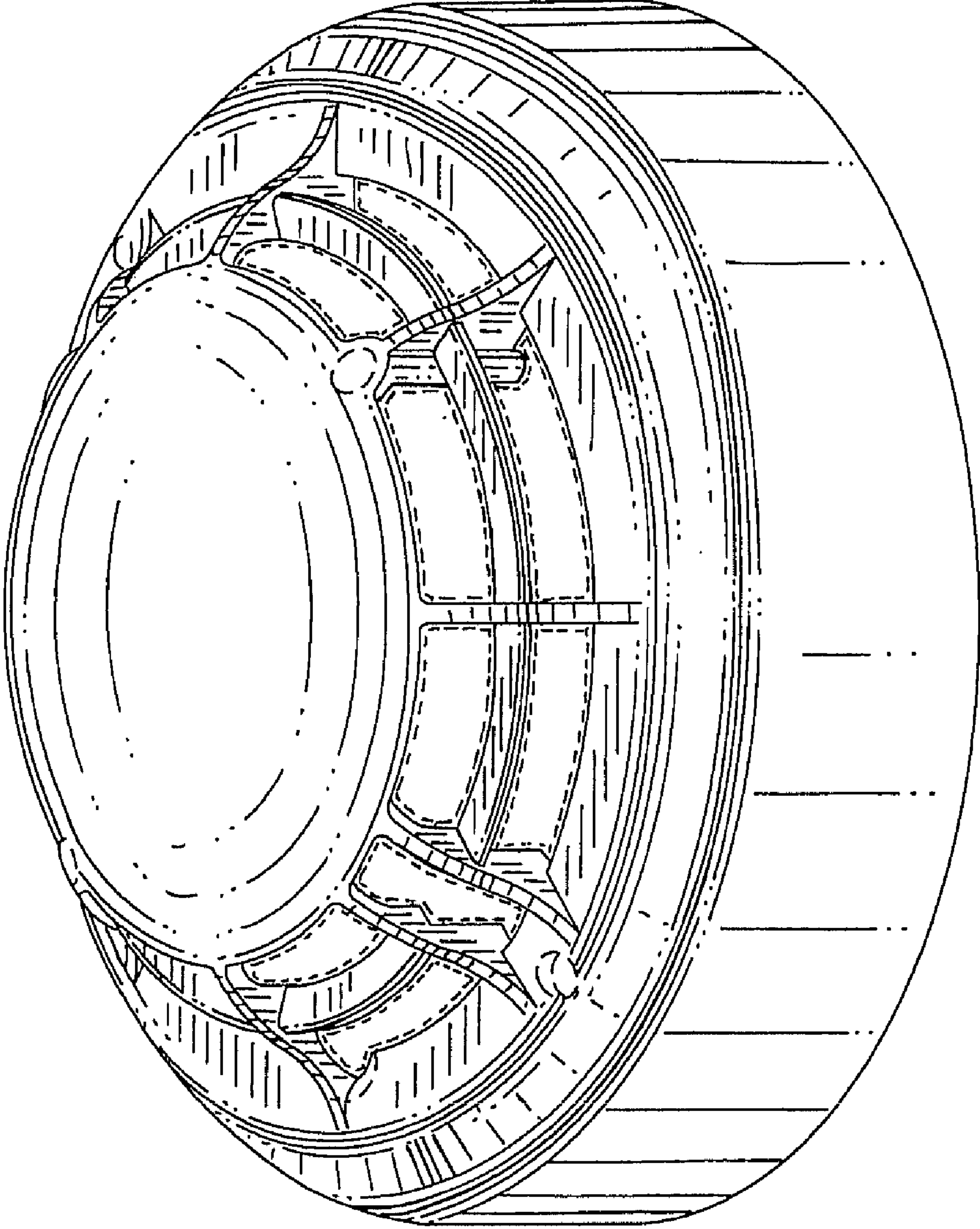


FIG. 2

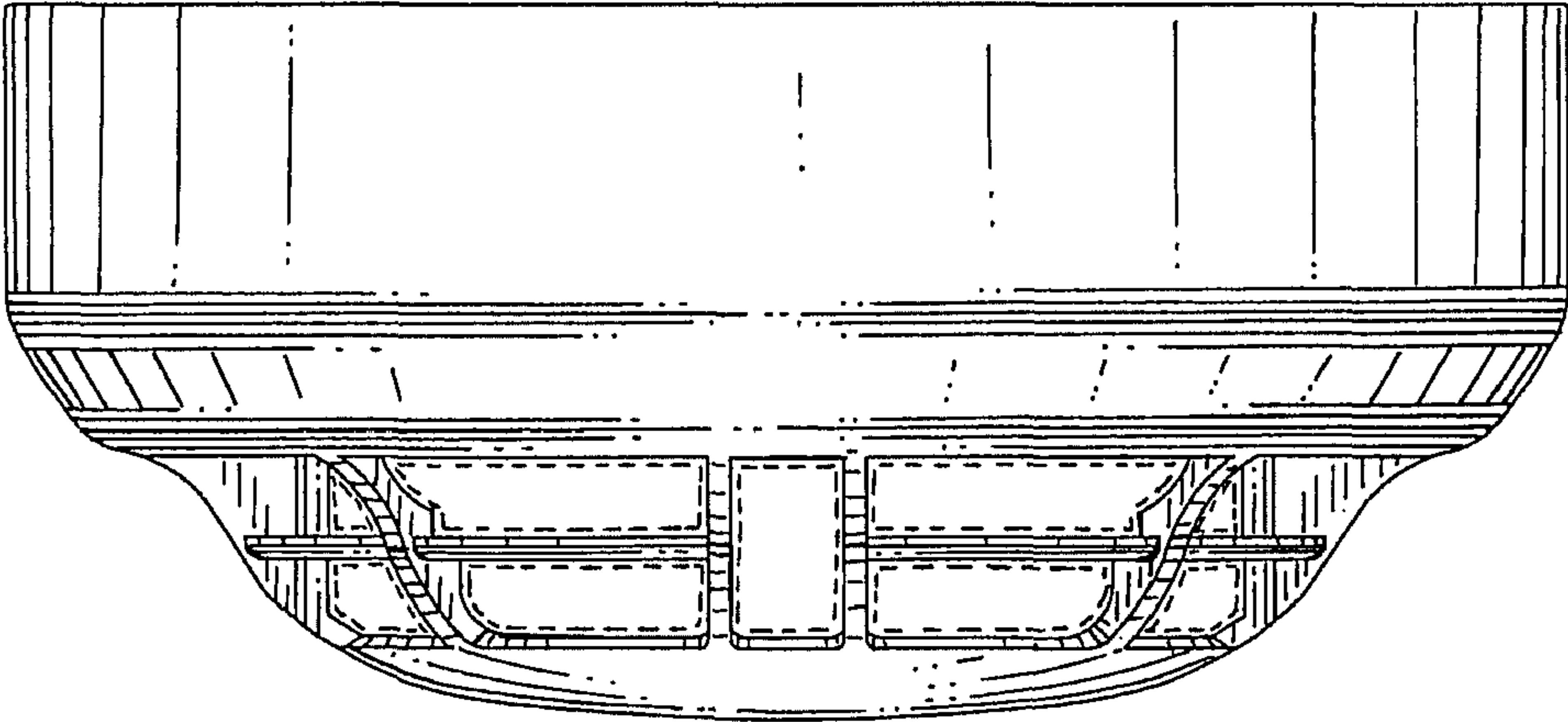


FIG. 3

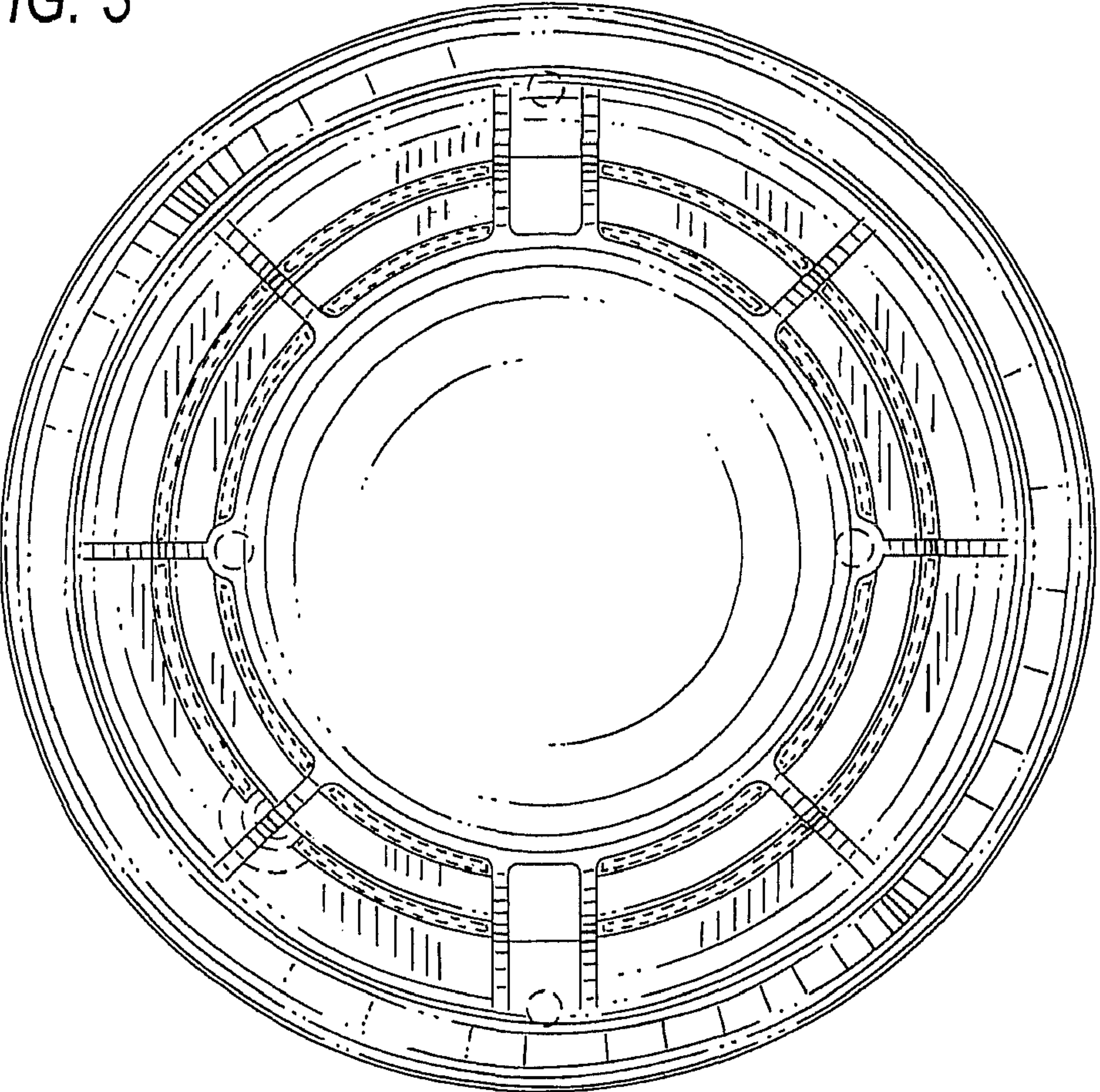


FIG. 4

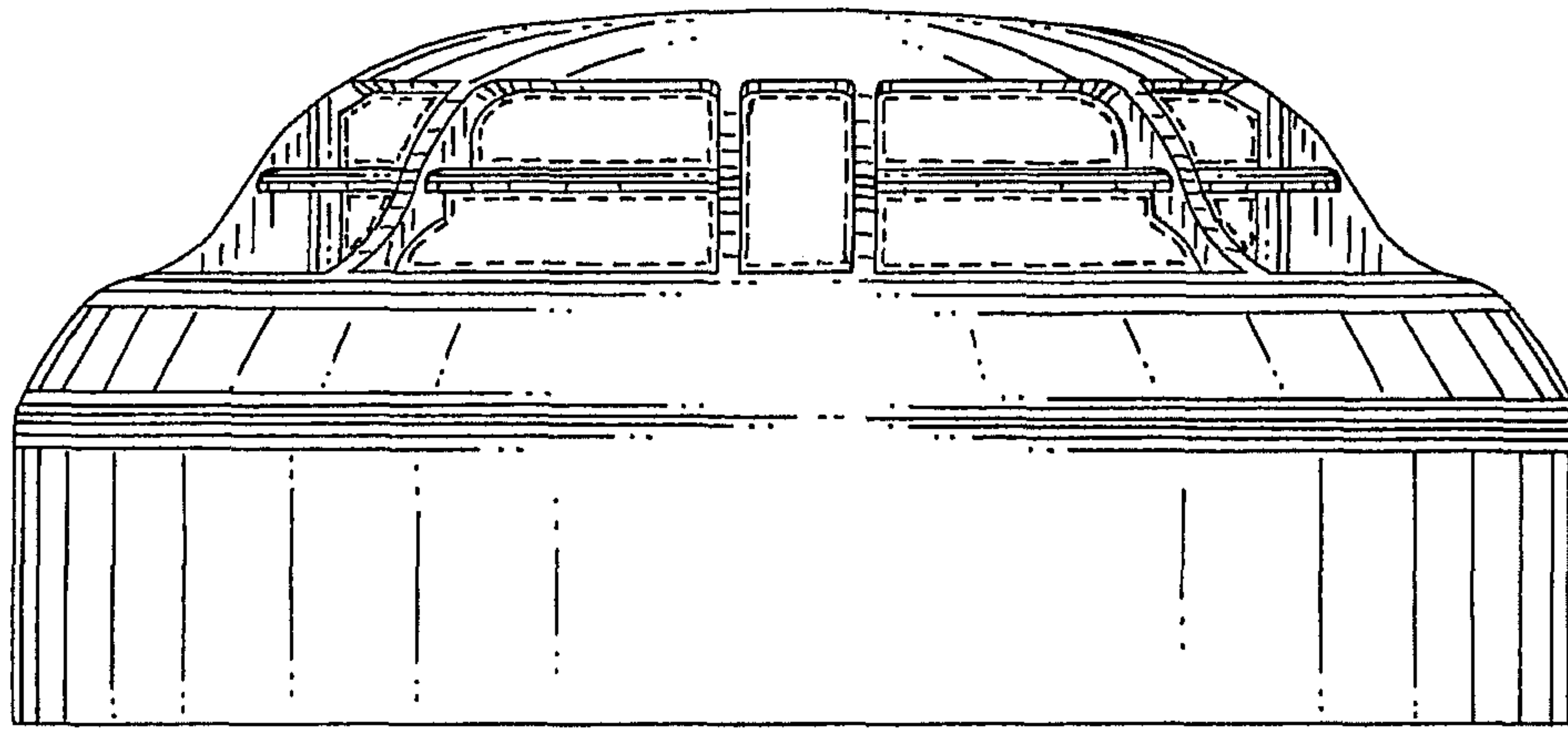
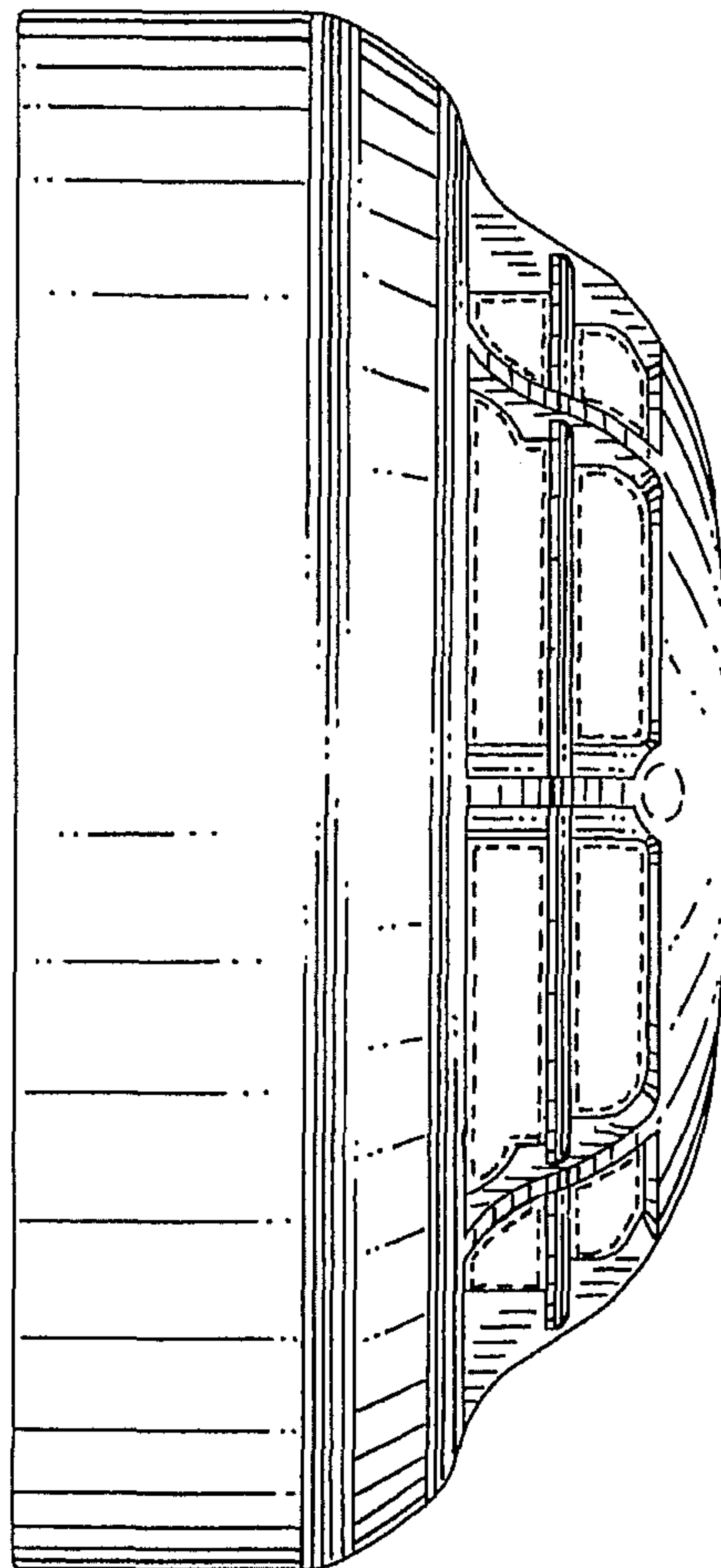


FIG. 5



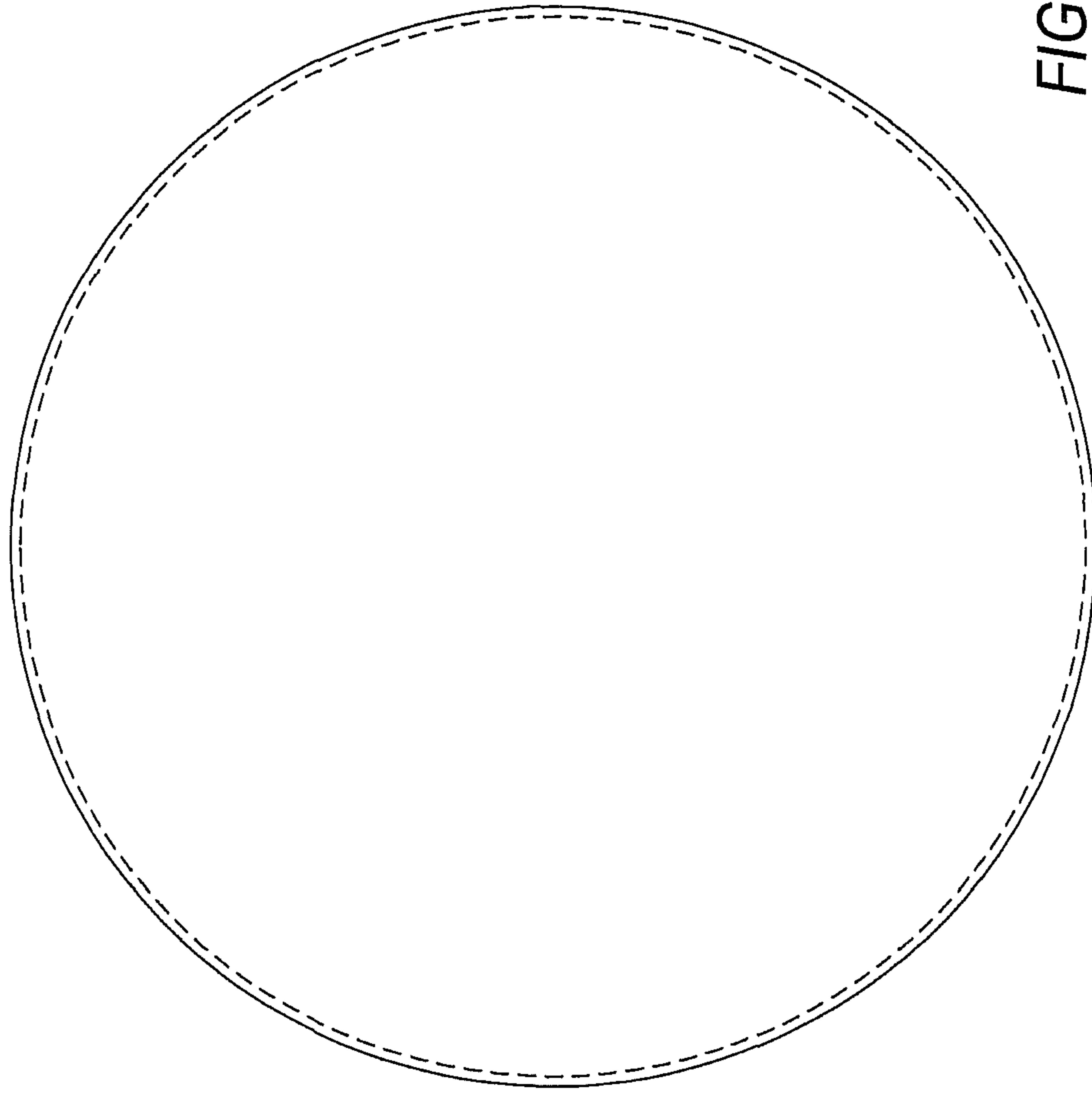


FIG. 7

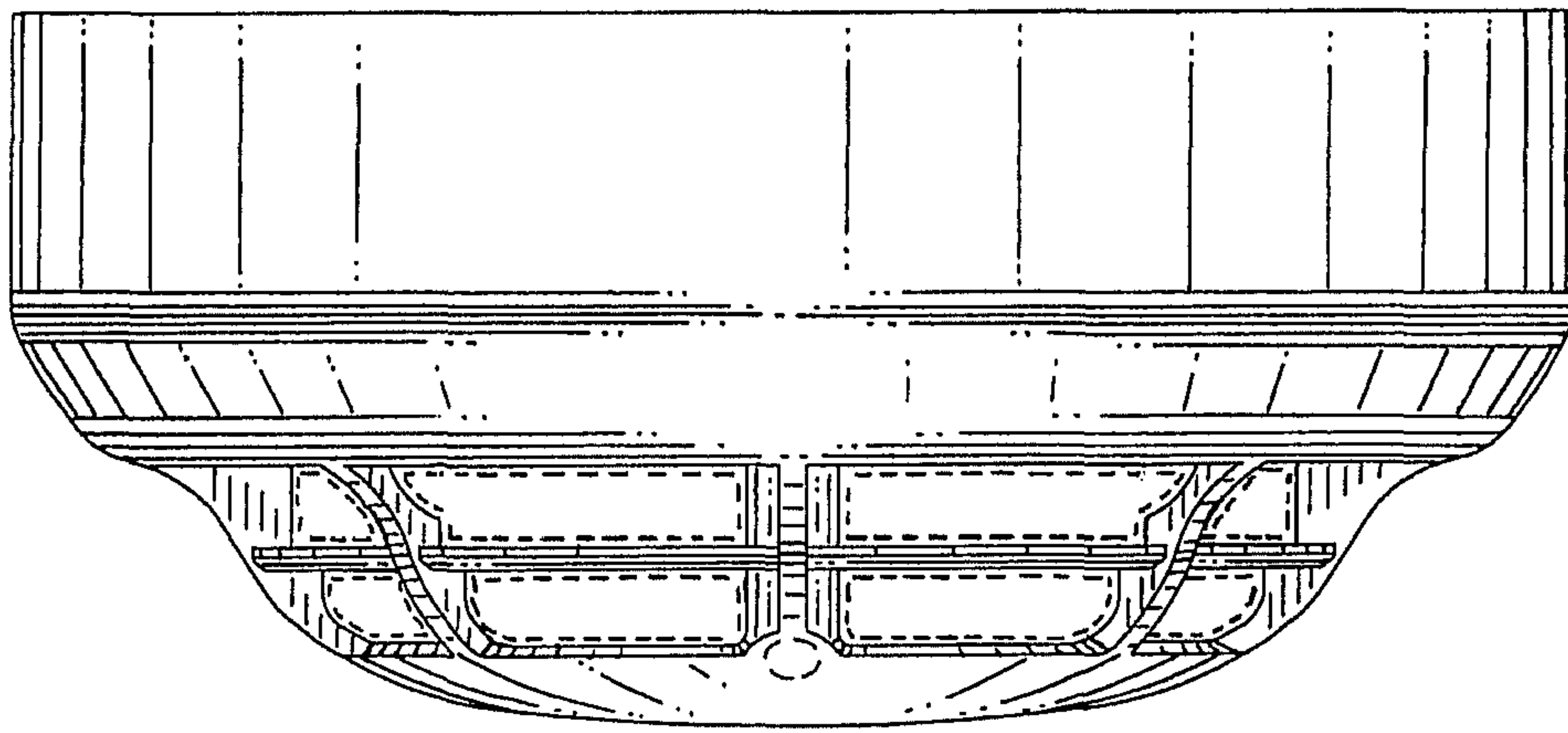


FIG. 6