



US00D675947S

(12) **United States Design Patent**
Janky et al.

(10) **Patent No.:** **US D675,947 S**

(45) **Date of Patent:** **** Feb. 12, 2013**

(54) **DEVICE FOR TESTING COMMUNICATION MEDIA OR CHANNELS**

8,269,481 B2 * 9/2012 Garland et al. 324/115

* cited by examiner

(75) Inventors: **Sena Janky**, Sammamish, WA (US);
Derek Silverio, Seattle, WA (US); **Tracy Kearsley**, Stanwood, WA (US)

Primary Examiner — Antoine D Davis

(74) *Attorney, Agent, or Firm* — Blakely, Sokoloff, Taylor & Zafman LLP

(73) Assignee: **Fluke Corporation**, Everett, WA (US)

(57) **CLAIM**

We claim the ornamental design for a device for testing communication media or channels, as shown and described.

(**) Term: **14 Years**

DESCRIPTION

(21) Appl. No.: **29/399,278**

(22) Filed: **Aug. 11, 2011**

(51) **LOC (9) Cl.** **10-04**

(52) **U.S. Cl.** **D10/78**

(58) **Field of Classification Search** D10/46,
D10/78; 324/72.5, 110, 114, 115, 149, 151 A,
324/151 R, 156, 158 F; 340/653, 660; 370/248,
370/249; 375/224, 225; 379/1.04, 15.03,
379/22.01–22.04; 439/482

See application file for complete search history.

FIG. 1 is a top isometric view of a device for testing communication media or channels;

FIG. 2 is a front view of the device for testing communication media or channels;

FIG. 3 is a rear view of the device for testing communication media or channels;

FIG. 4 is a left side view of the device for testing communication media or channels;

FIG. 5 is a right side view of the device for testing communication media or channels;

FIG. 6 is a top view of the device for testing communication media or channels;

FIG. 7 is a bottom view of the device for testing communication media or channels; and,

FIG. 8 is a bottom isometric view of the device for testing communication media or channels.

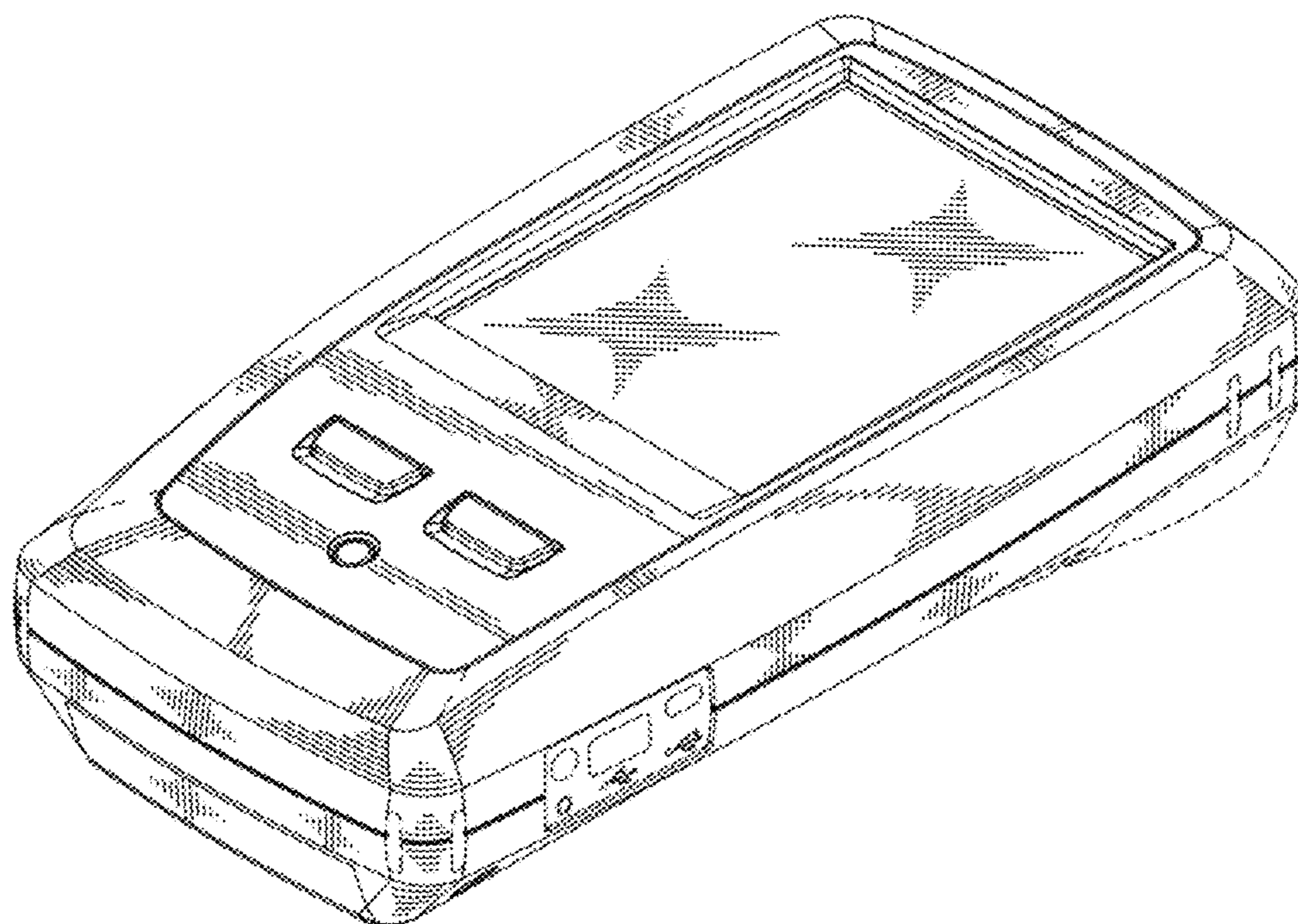
Surface shading is included to show the character and contour of the surfaces of three dimensional aspects of the design. The features illustrated in evenly-spaced dashed lines are included for the purpose of illustrating environmental structure and form no part of the claimed design.

(56) **References Cited**

U.S. PATENT DOCUMENTS

D363,440	S	*	10/1995	Hoofnagle et al.	D10/78
D430,048	S	*	8/2000	Hoofnagle et al.	D10/78
D462,023	S	*	8/2002	Janky et al.	D10/78
D510,533	S	*	10/2005	Hoofnagle	D10/78
D543,475	S	*	5/2007	Janky	D10/78
D569,749	S	*	5/2008	Silverio et al.	D10/78
D634,227	S	*	3/2011	Marzynski et al.	D10/78
D665,282	S	*	8/2012	Worones	D10/80

1 Claim, 6 Drawing Sheets



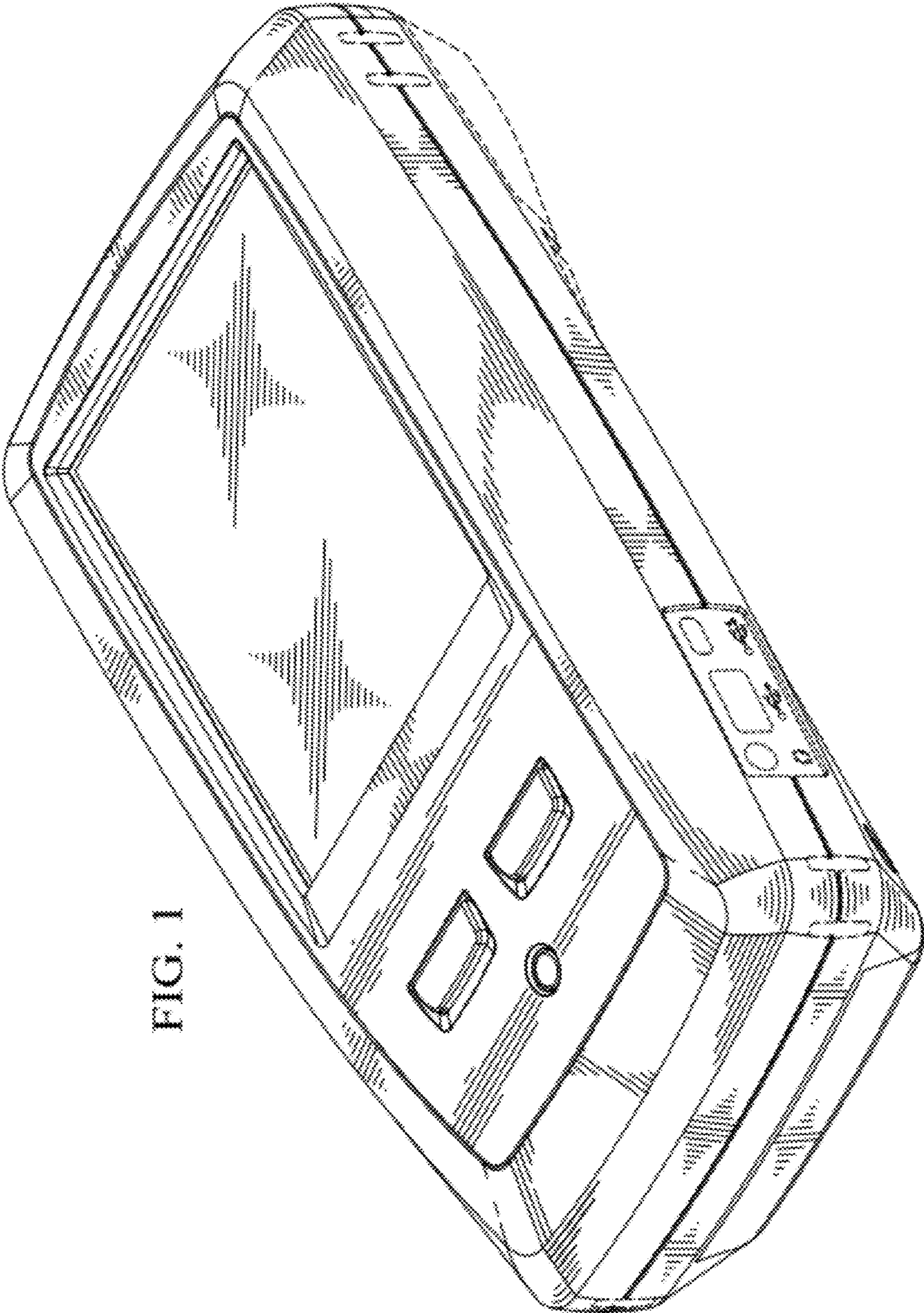


FIG. 1

FIG. 2

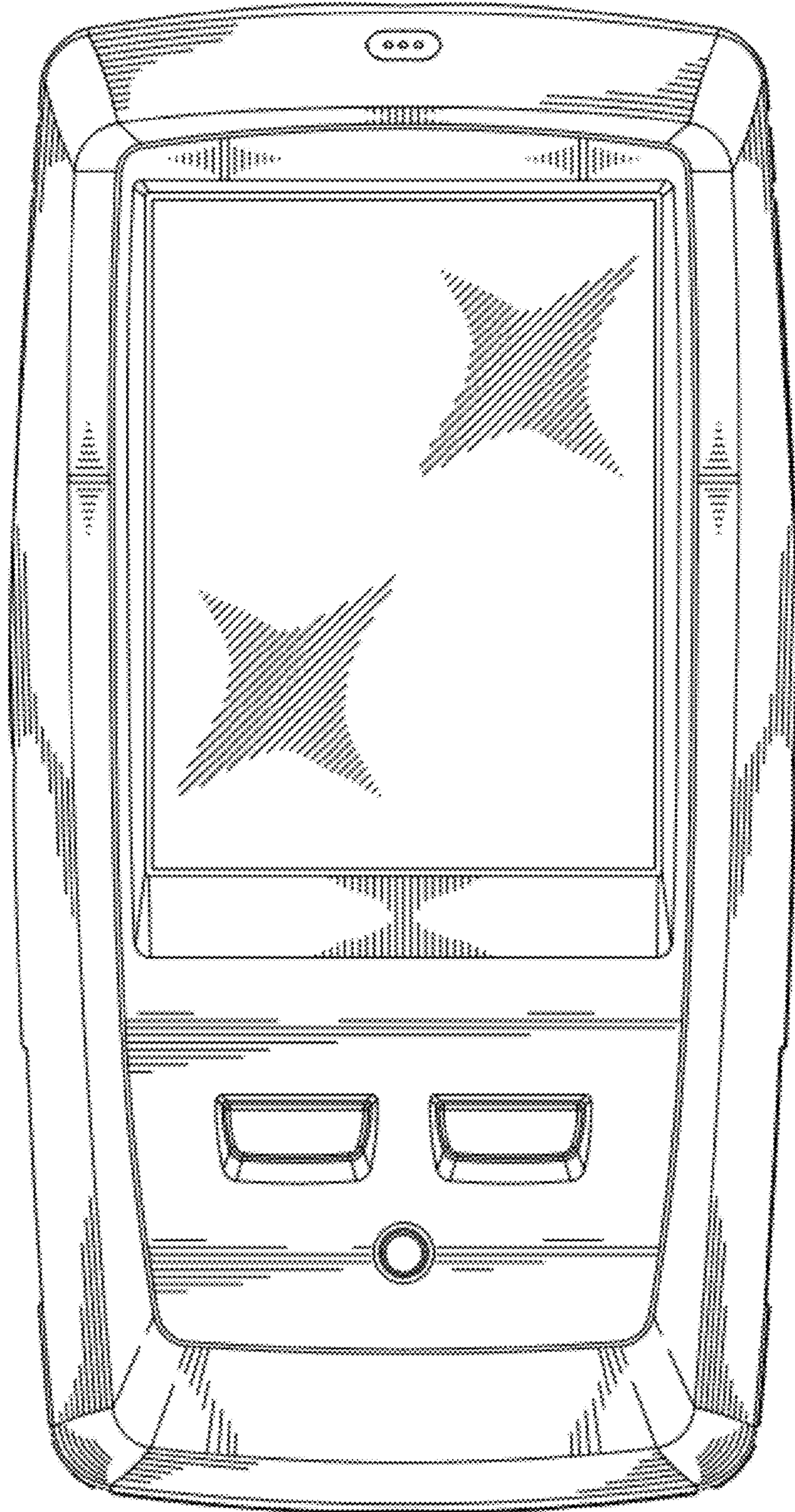


FIG. 3

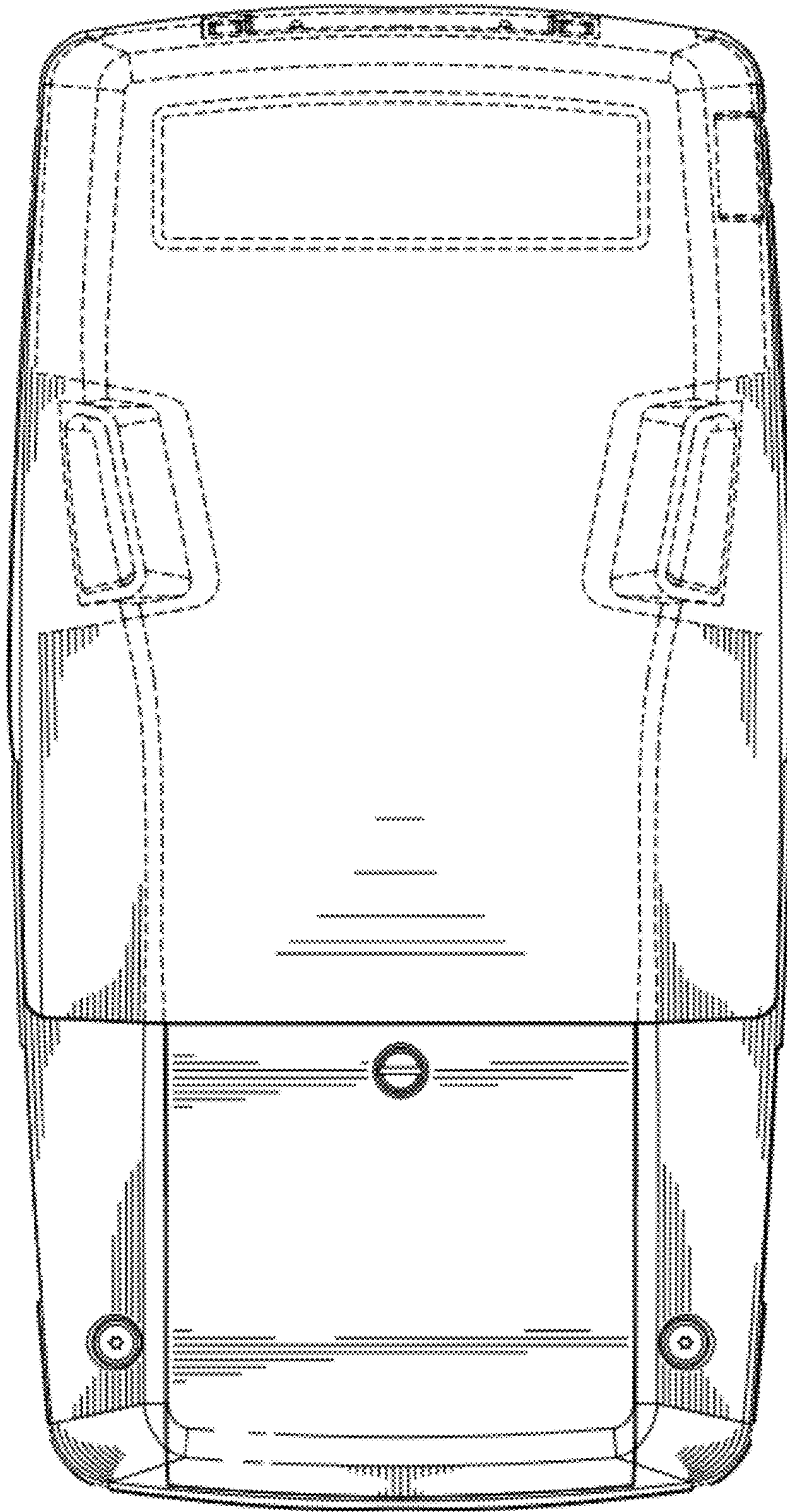


FIG. 4

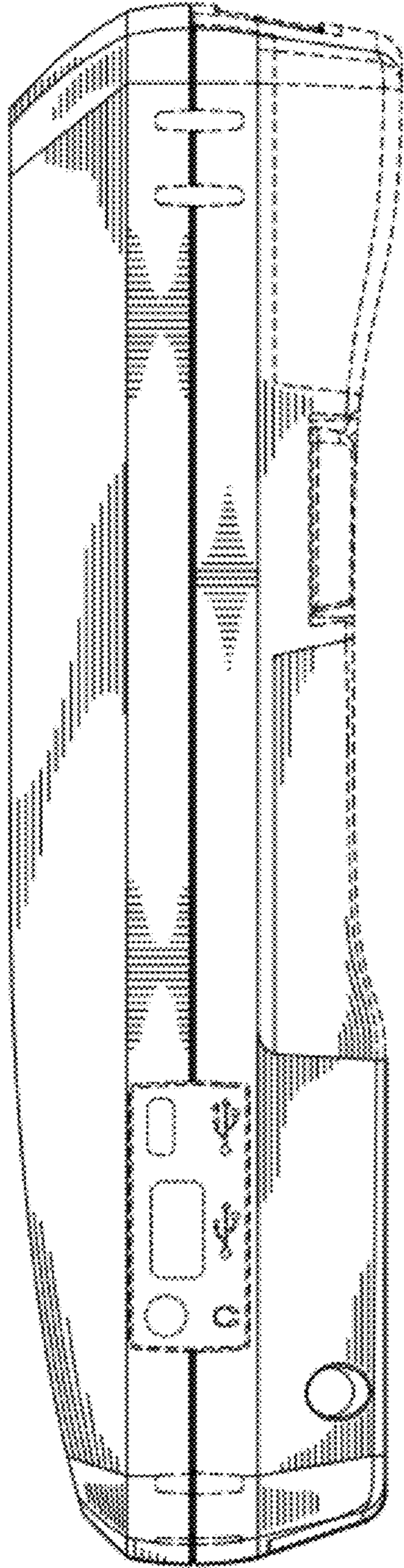
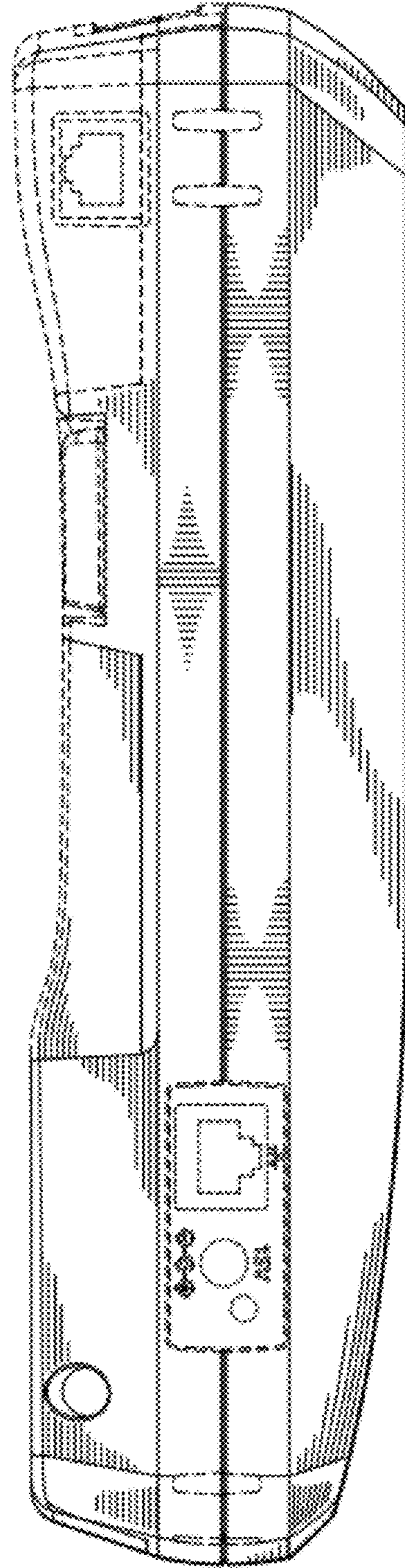


FIG. 5



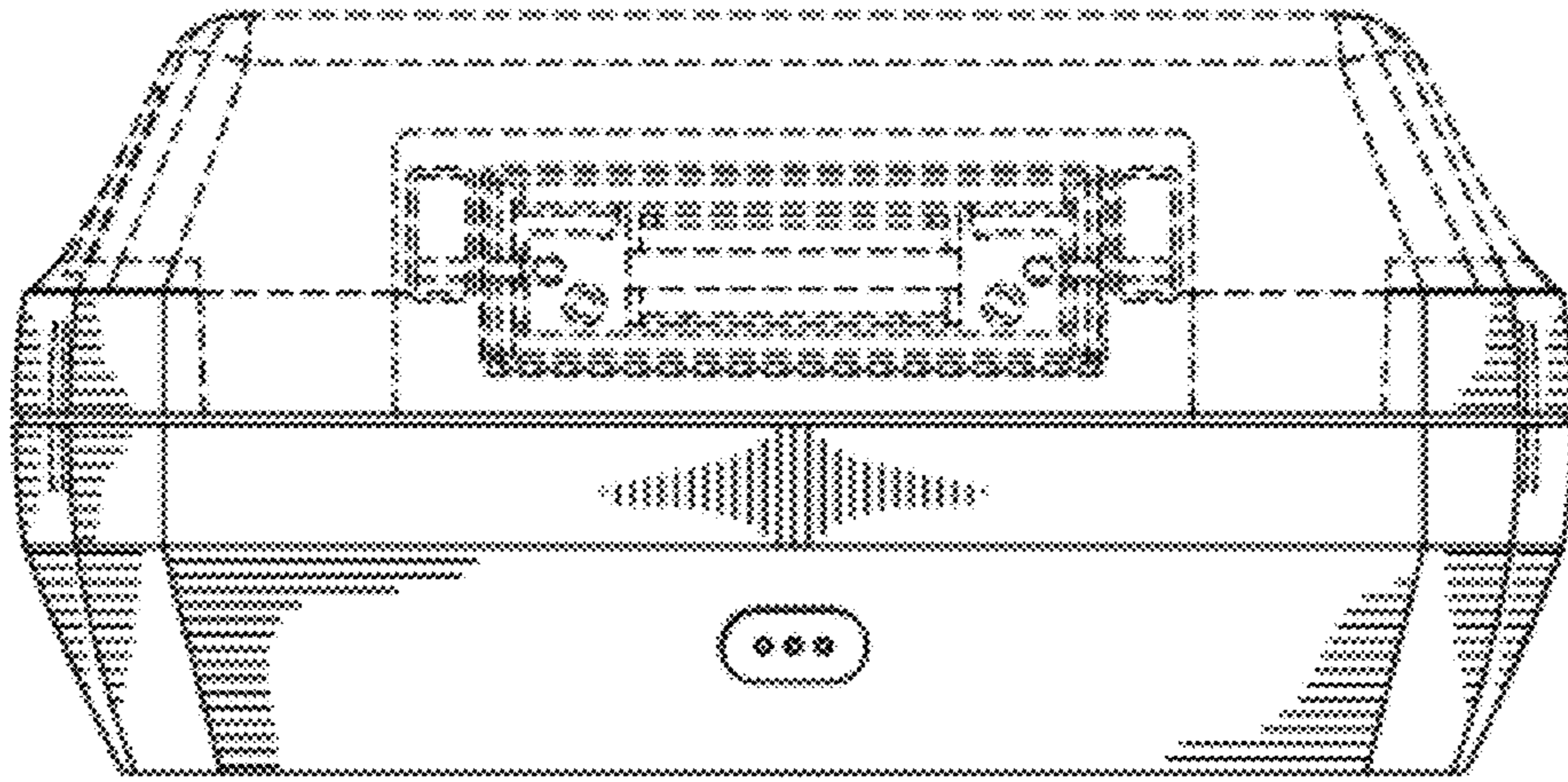


FIG. 6

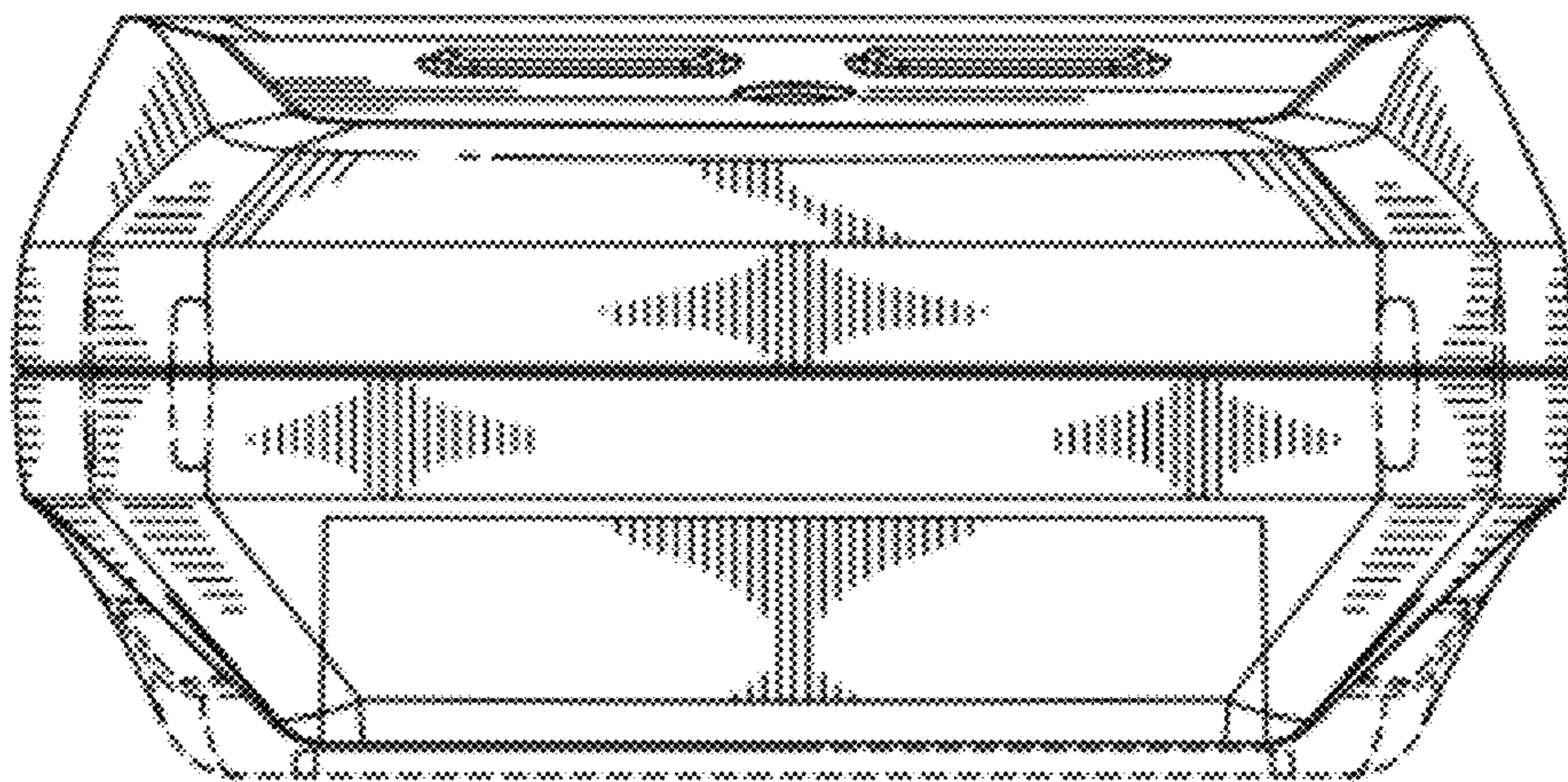


FIG. 7

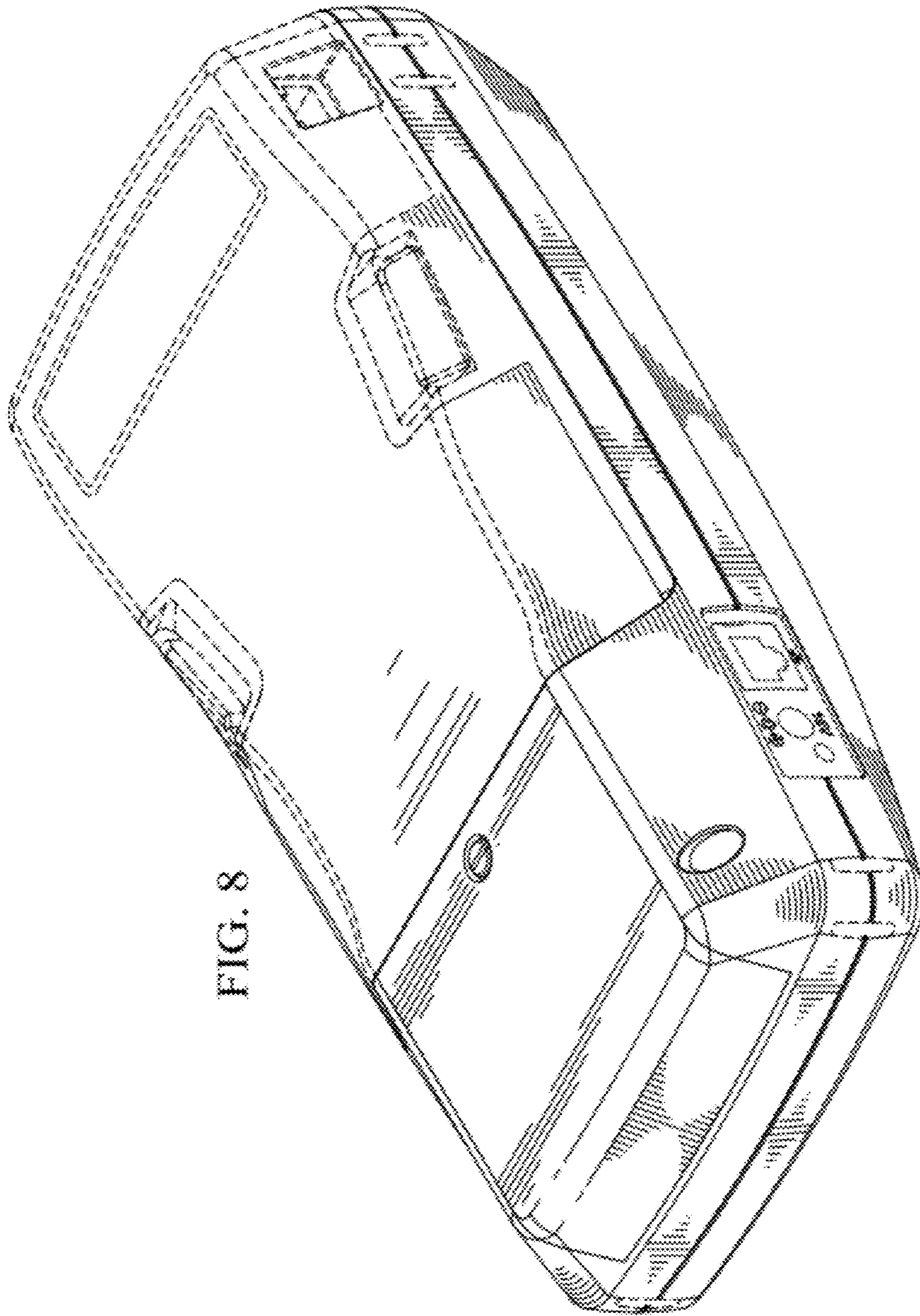


FIG. 8