



US00D675945S

(12) **United States Design Patent**  
**Brooking et al.**

(10) **Patent No.:** **US D675,945 S**  
(45) **Date of Patent:** **\*\* Feb. 12, 2013**

- (54) **MOISTURE DETECTION DEVICE**
- (75) Inventors: **Michael J. Brooking**, Dong Guan (CN);  
**Christopher W. Barney**, Sandy, UT  
(US)
- (73) Assignee: **Gizmode, LLC**, Sandy, UT (US)
- (\*\*) Term: **14 Years**
- (21) Appl. No.: **29/420,808**
- (22) Filed: **May 14, 2012**

6,972,395 B2 12/2005 Jones  
 D618,567 S 6/2010 Brooking  
 D619,023 S 7/2010 Brooking

**OTHER PUBLICATIONS**

The Water Alarm, <http://www.thewateralarm.com>, pp. 1-2, accessed Mar. 2, 2010.  
 Water Alarm, <http://www.amazon.com/Water-Alarm-Detects-Leaks-Saves/dp/B000JOK11K>, pp. 1-5, accessed Mar. 2, 2010.  
 General Tools WA500 Water Leak Alarm, [http://www.amazon.com/General-Tools-WA500-Water-Alarm/dp/B001CEIFNW/ref=pd\\_sbs\\_k\\_4](http://www.amazon.com/General-Tools-WA500-Water-Alarm/dp/B001CEIFNW/ref=pd_sbs_k_4), pp. 1-5, accessed Mar. 2, 2010.

\* cited by examiner

*Primary Examiner* — Antoine D Davis

(74) *Attorney, Agent, or Firm* — Warren M. Pate, LLC

**Related U.S. Application Data**

- (63) Continuation of application No. 13/461,544, filed on May 1, 2012.
  - (51) **LOC (9) Cl.** ..... **10-04**
  - (52) **U.S. Cl.** ..... **D10/56**
  - (58) **Field of Classification Search** ..... D10/56;  
73/40, 116; 340/602, 603, 604, 605, 618,  
340/620; 361/93.6
- See application file for complete search history.

(57) **CLAIM**

The ornamental design for a moisture detection device, as shown and described.

**DESCRIPTION**

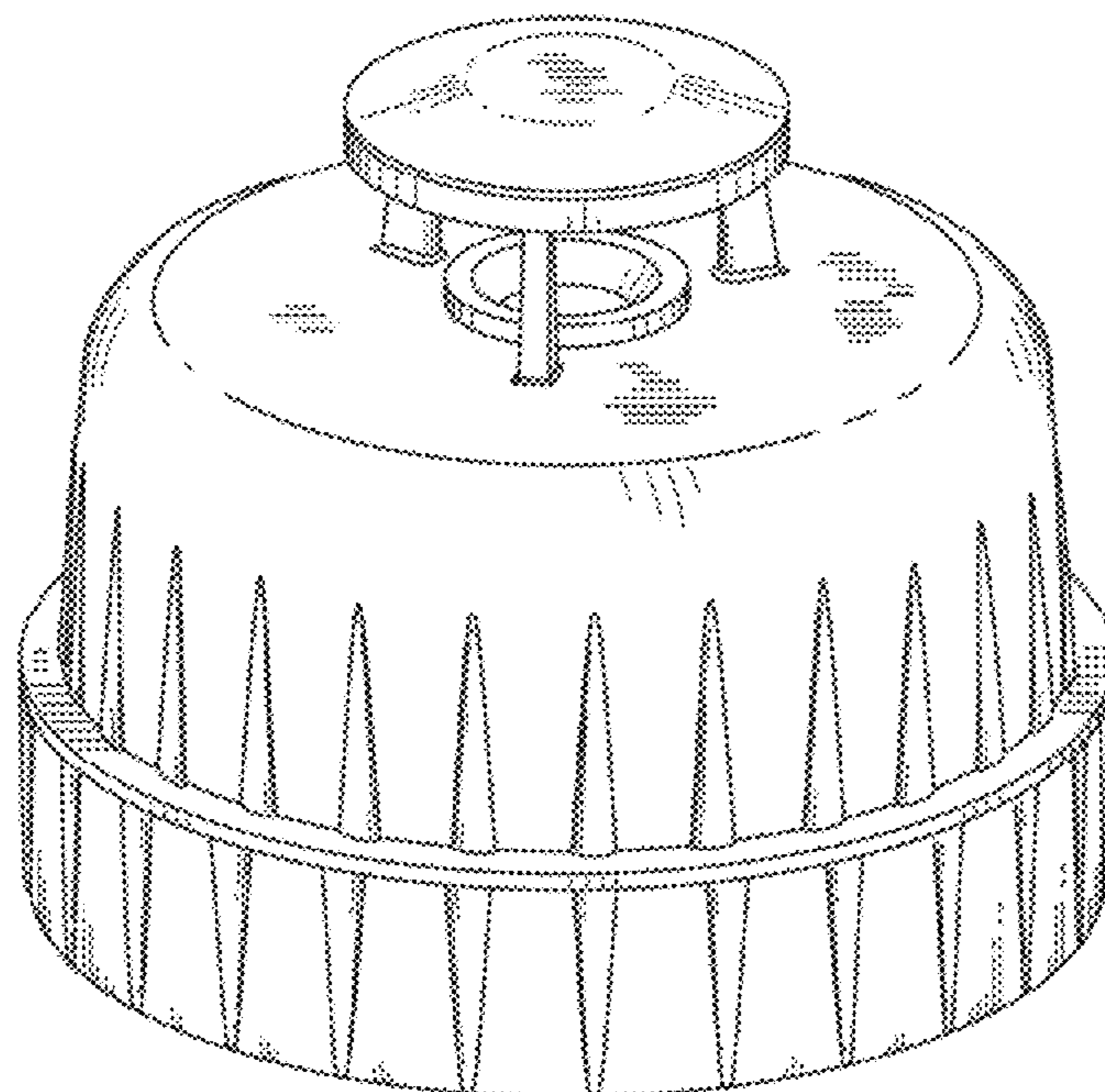
FIG. 1 is a perspective view of a moisture detection device in accordance with our new design;  
 FIG. 2 is a top plan view of the design of FIG. 1;  
 FIG. 3 is a bottom plan view of the design of FIG. 1;  
 FIG. 4 is a front elevation view of the design of FIG. 1;  
 FIG. 5 is a back elevation view of the design of FIG. 1;  
 FIG. 6 is a first side elevation view of the design of FIG. 1;  
 and,  
 FIG. 7 is a second, opposite side elevation view of the design of FIG. 1.  
 The broken lines represent portions of the design that form no part of the claim.

(56) **References Cited**

**U.S. PATENT DOCUMENTS**

3,808,385	A *	4/1974	Klinefelter	.....	340/602
D261,243	S	10/1981	Mintz		
D261,998	S	11/1981	Munz		
D265,465	S *	7/1982	Baldwin	.....	D10/56
D336,861	S *	6/1993	Nicholas	.....	D10/56
D476,586	S	7/2003	Nash		
6,690,281	B2	2/2004	Palmer		
6,873,263	B1	3/2005	Hohman		

**1 Claim, 4 Drawing Sheets**



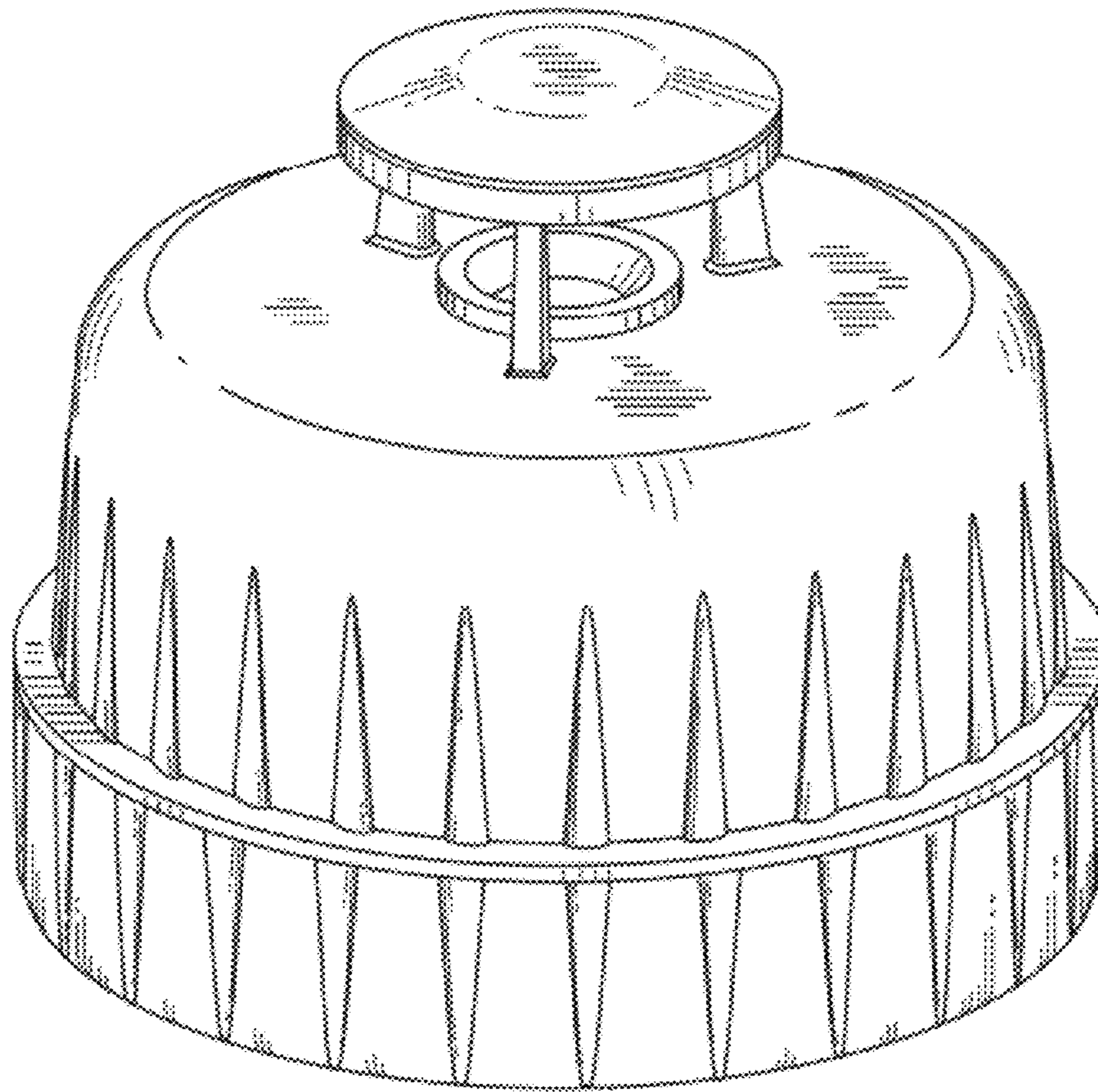


FIG. 1

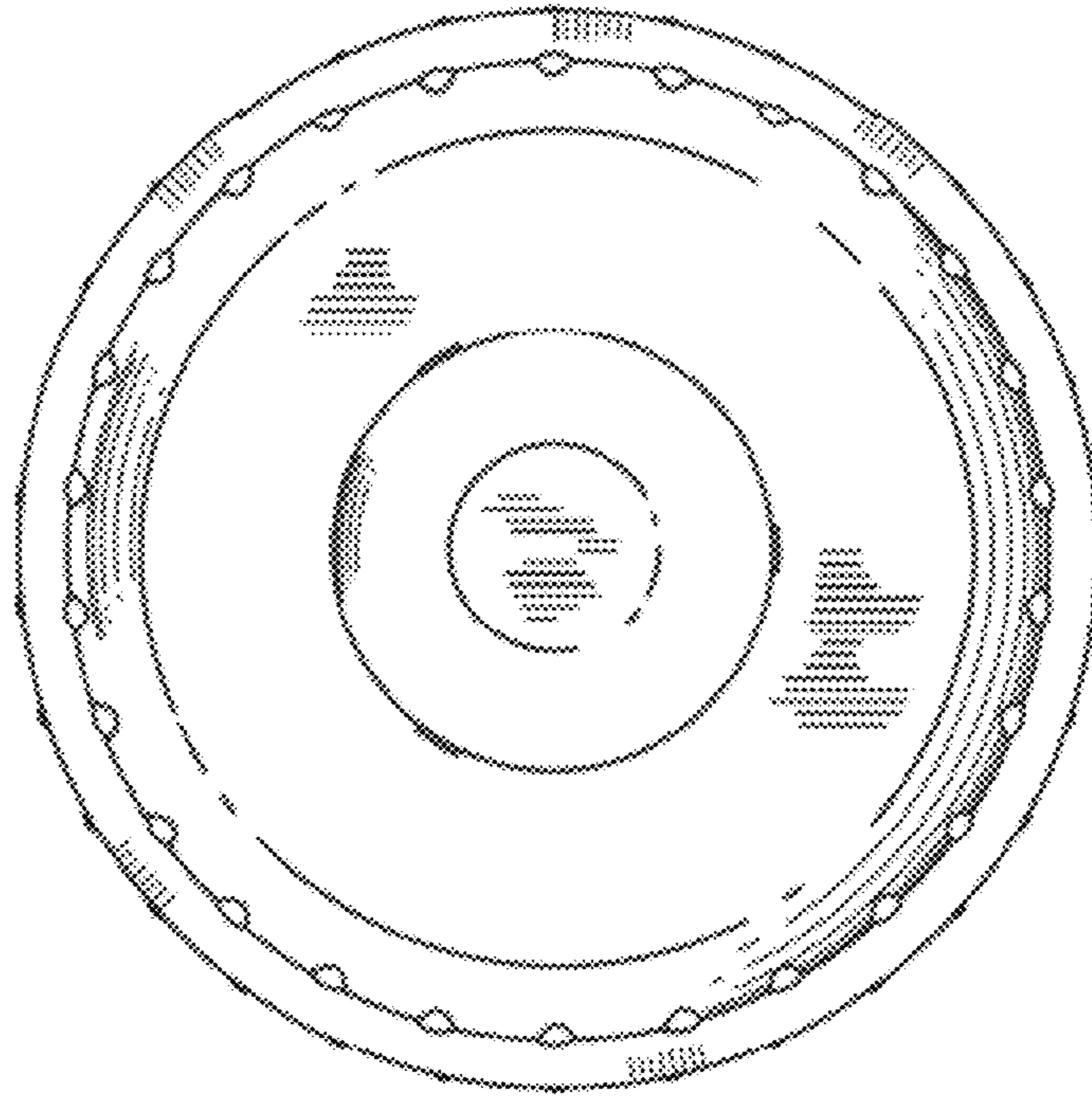


FIG. 2

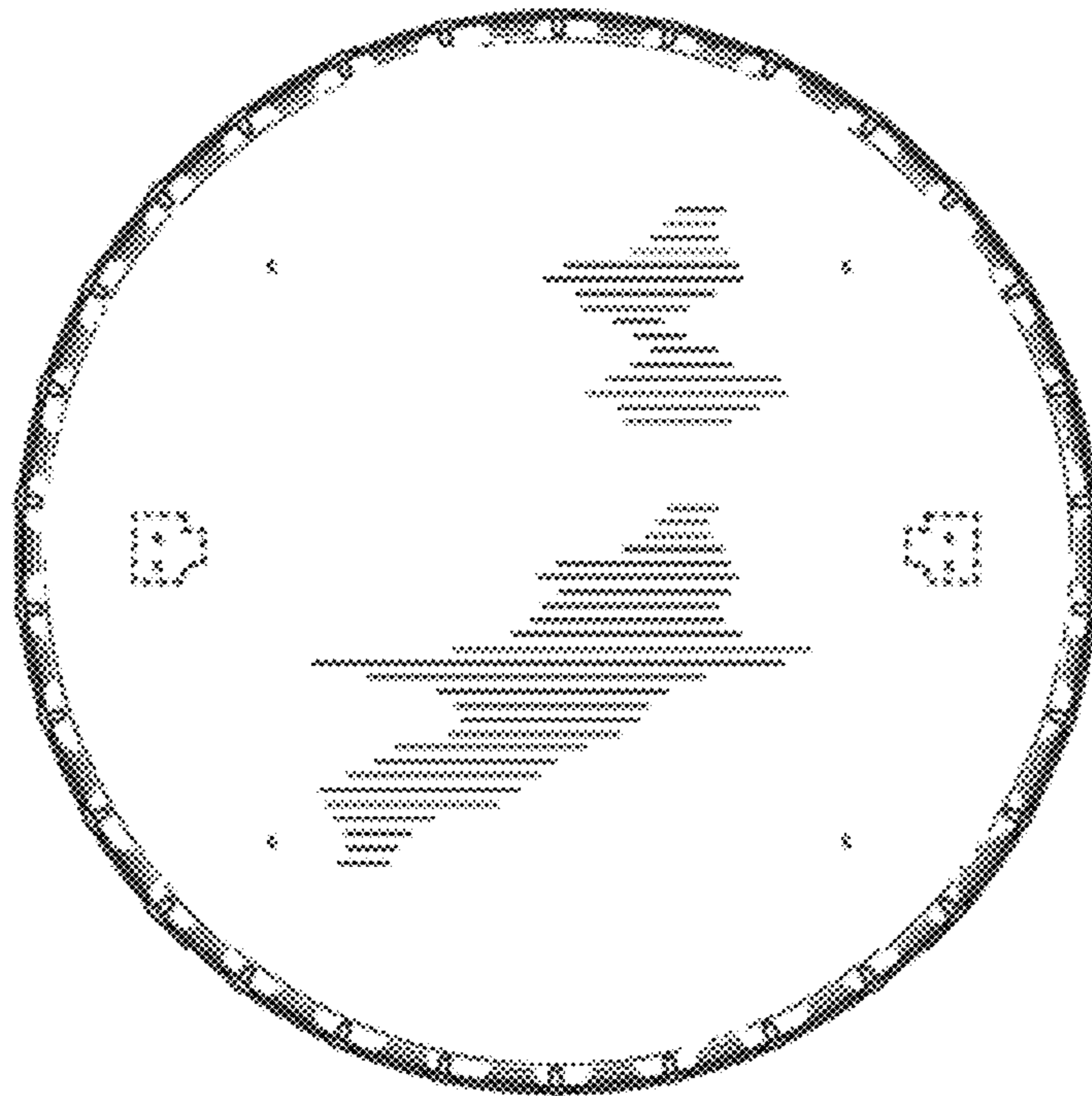


FIG. 3

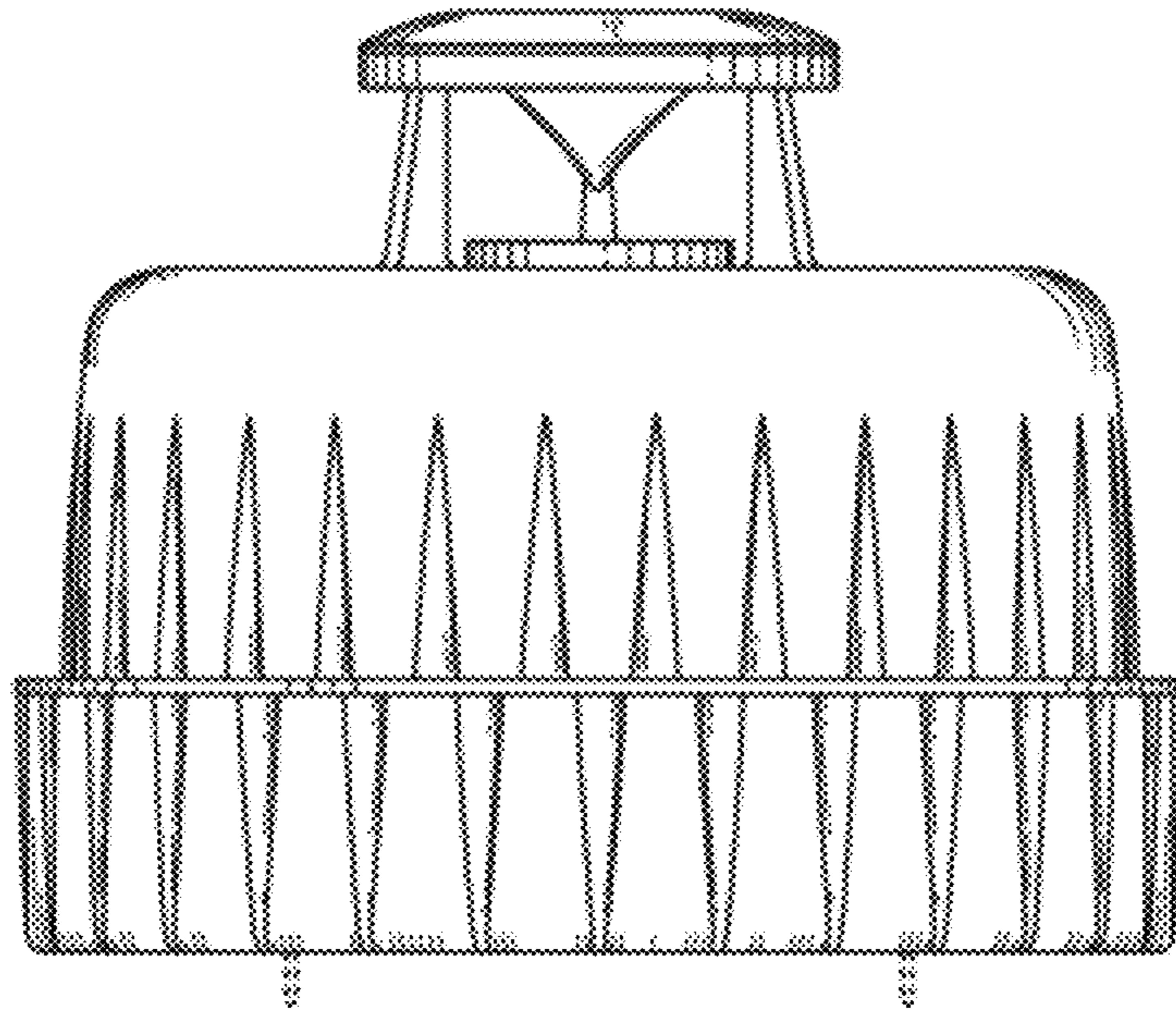


FIG. 4

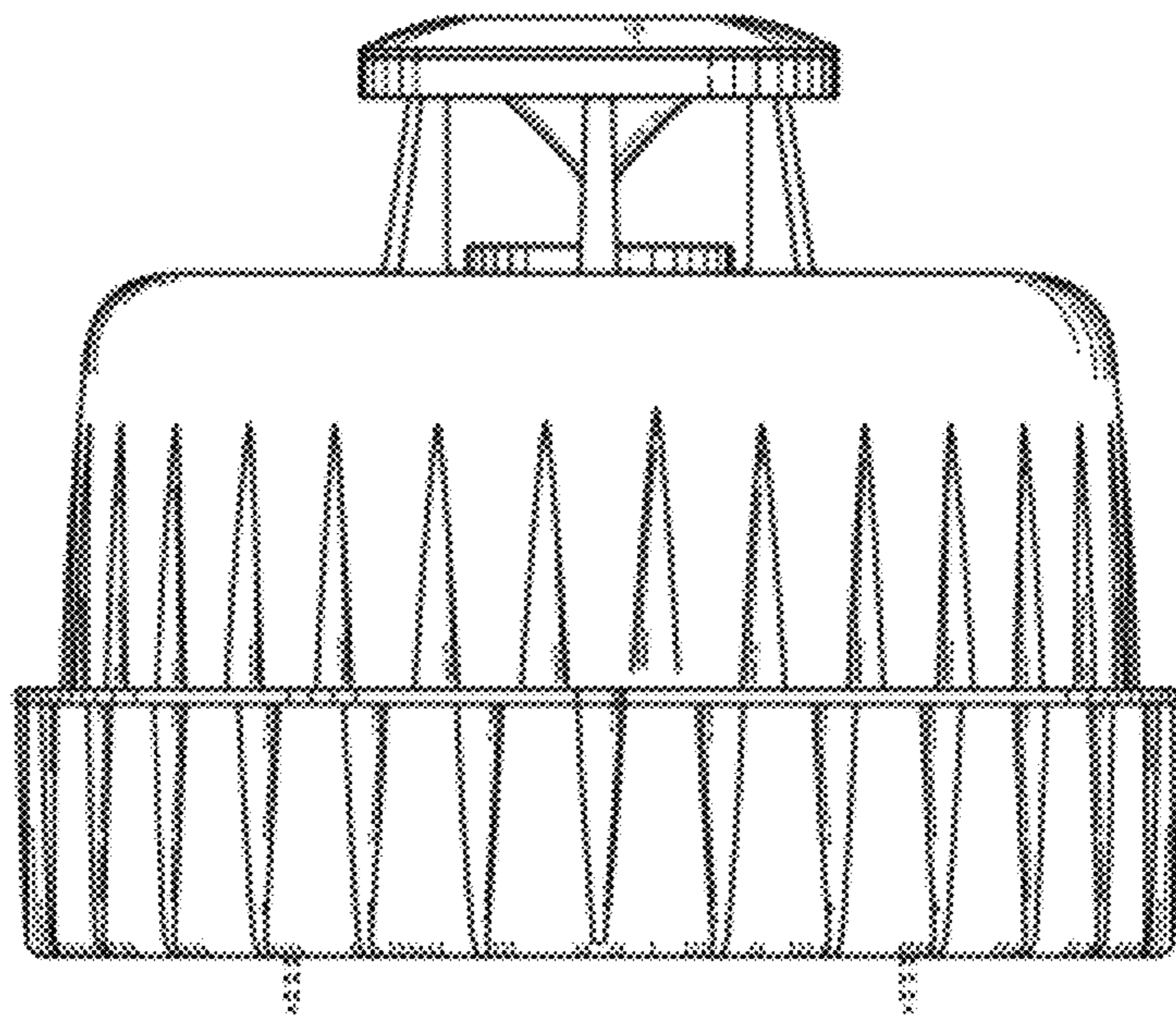


FIG. 5

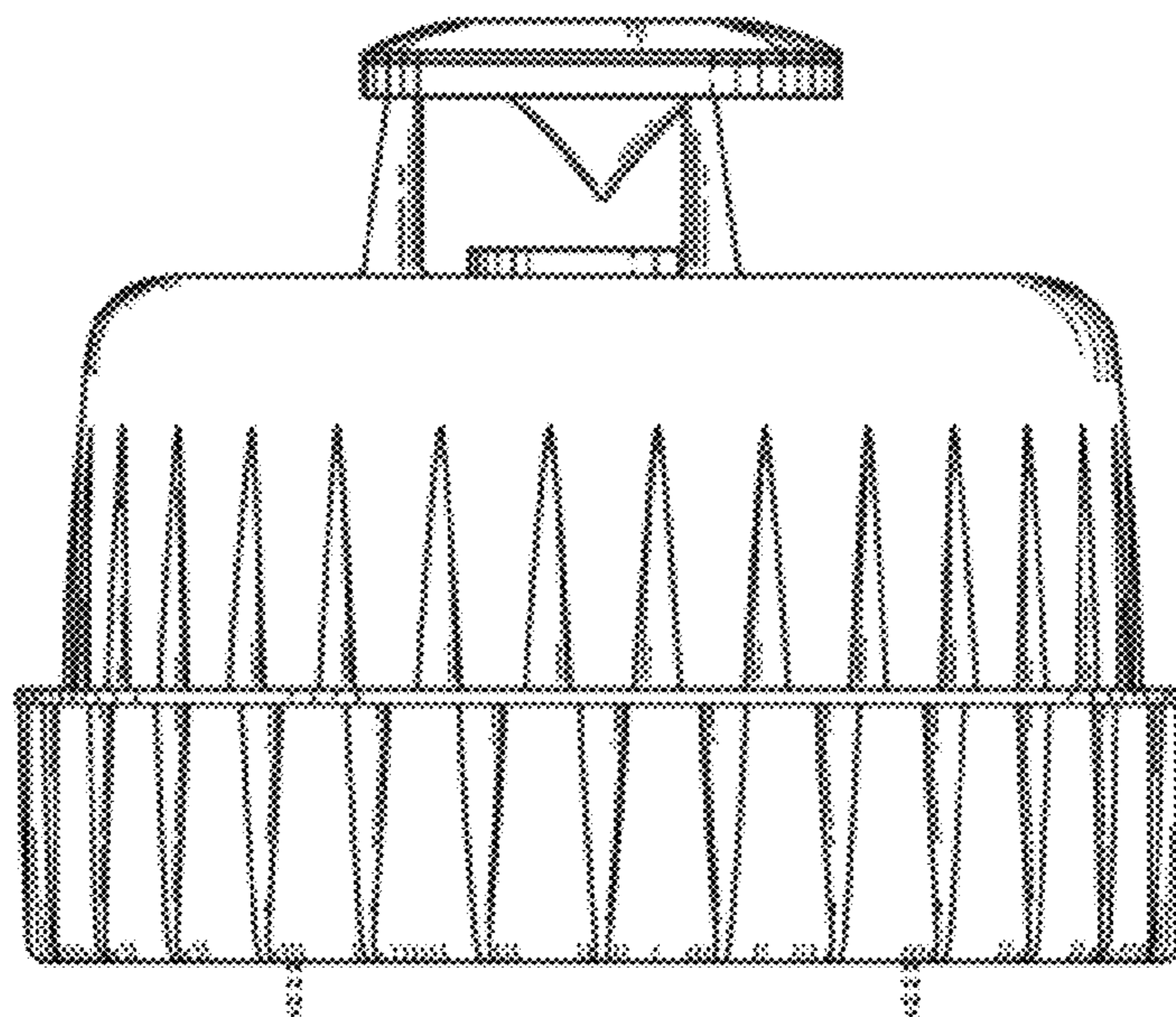


FIG. 6

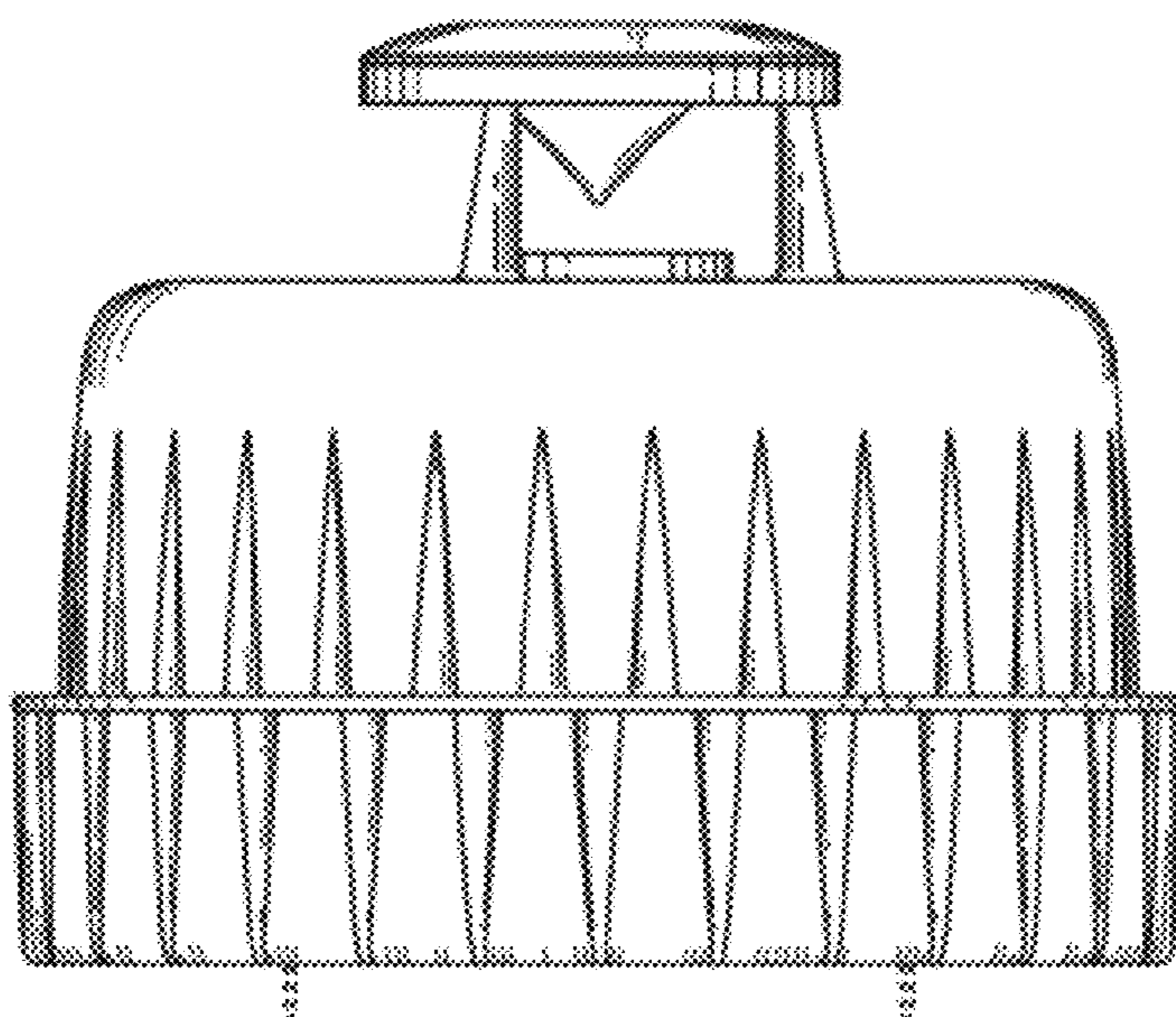


FIG. 7