



US00D675944S

(12) **United States Design Patent**  
**Murphy et al.**

(10) **Patent No.:** **US D675,944 S**

(45) **Date of Patent:** **\*\* Feb. 12, 2013**

(54) **REMOTE WEATHER SENSOR**

(75) Inventors: **Matthew Murphy**, Elkhorn, WI (US);  
**Ryan Torgerson**, Burlington, WI (US);  
**Jeffery Bovee**, Walworth, WI (US)

(73) Assignee: **Combex, Inc.**, Lake Geneva, WI (US)

(\*\*) Term: **14 Years**

(21) Appl. No.: **29/401,054**

(22) Filed: **Sep. 6, 2011**

(51) **LOC (9) Cl.** ..... **10-04**

(52) **U.S. Cl.** ..... **D10/53**

(58) **Field of Classification Search** ..... D10/52-53,  
D10/59; 340/539, 601, 691.1, 286.05, 870.1,  
340/539.28; 374/162, 201, 202, 208, 209;  
368/10, 73, 223, 251, 63, 82, 11; 68/10;  
73/170.16, 170.27, 30.02; 345/88; 349/114;  
455/67.11, 561; 702/3, 4

See application file for complete search history.

(56) **References Cited**

U.S. PATENT DOCUMENTS

D299,215 S \* 1/1989 Sampey ..... D10/53  
D611,846 S \* 3/2010 Sadler et al. .... D10/53

\* cited by examiner

*Primary Examiner* — Raphael Barkai  
*Assistant Examiner* — Randall H Gholson

(74) *Attorney, Agent, or Firm* — Drinker Biddle & Reath  
LLP

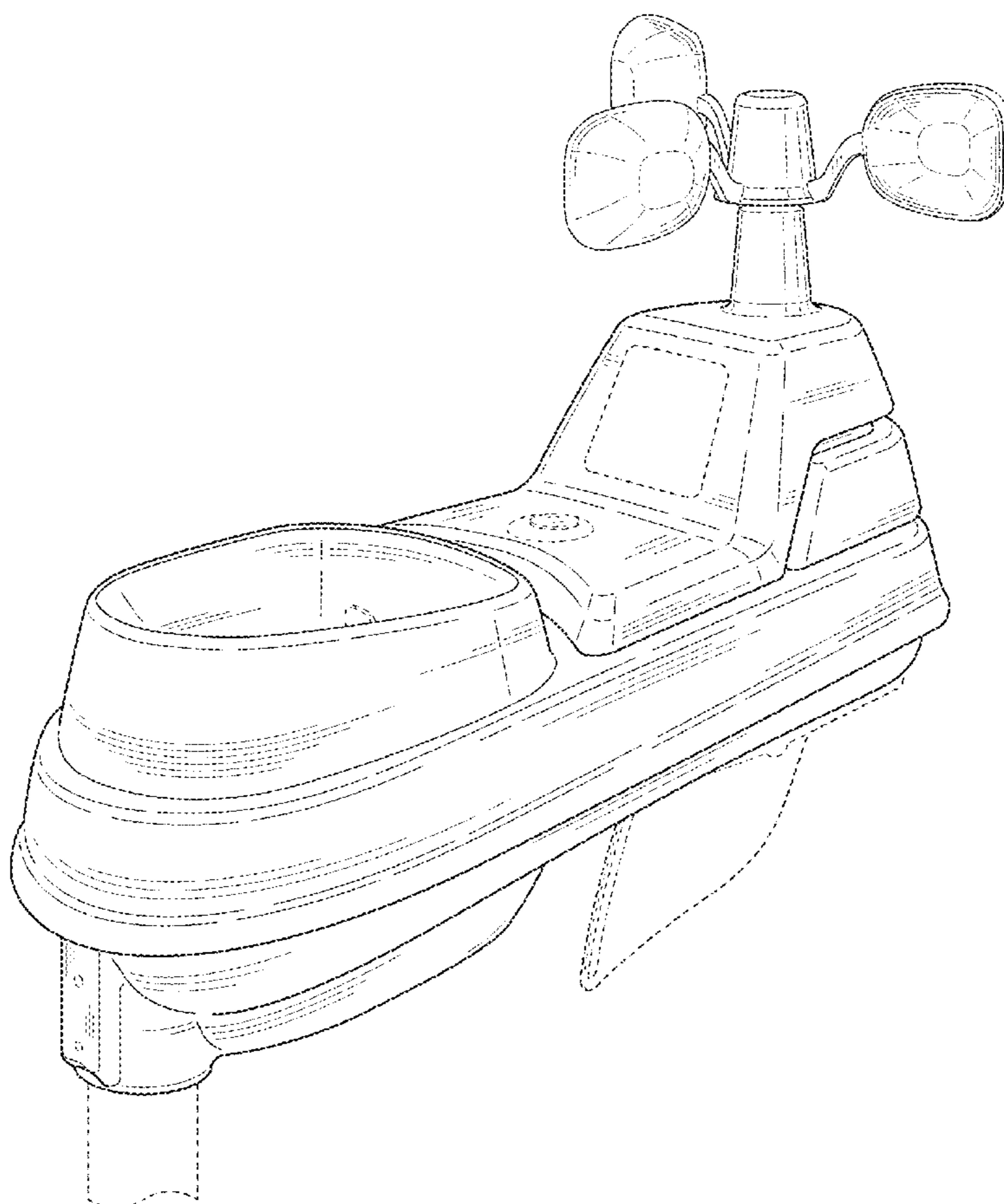
(57) **CLAIM**

The ornamental design for a remote weather sensor, as shown  
and described.

**DESCRIPTION**

FIG. 1 is a front perspective view of a remote weather sensor  
showing an embodiment of our new design;  
FIG. 2 is a right elevation view thereof;  
FIG. 3 is a left elevation view thereof;  
FIG. 4 is a rear elevation view thereof;  
FIG. 5 is a front elevation view thereof;  
FIG. 6 is a top plan view thereof; and,  
FIG. 7 is a bottom plan view thereof, wherein the broken lines  
in the Figures are for illustrative purposes only and form no  
part of the claimed design.

**1 Claim, 4 Drawing Sheets**



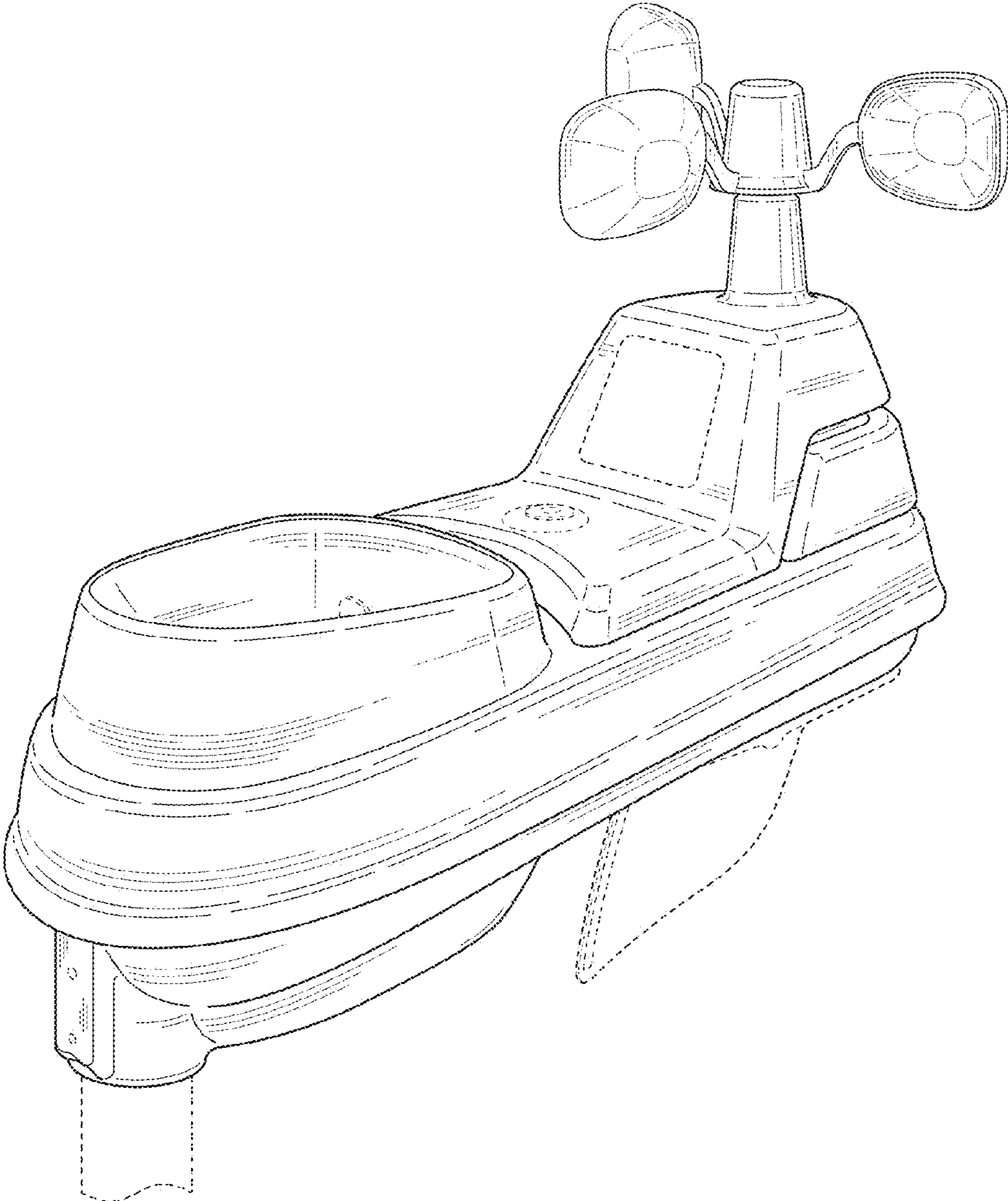


FIG. 1

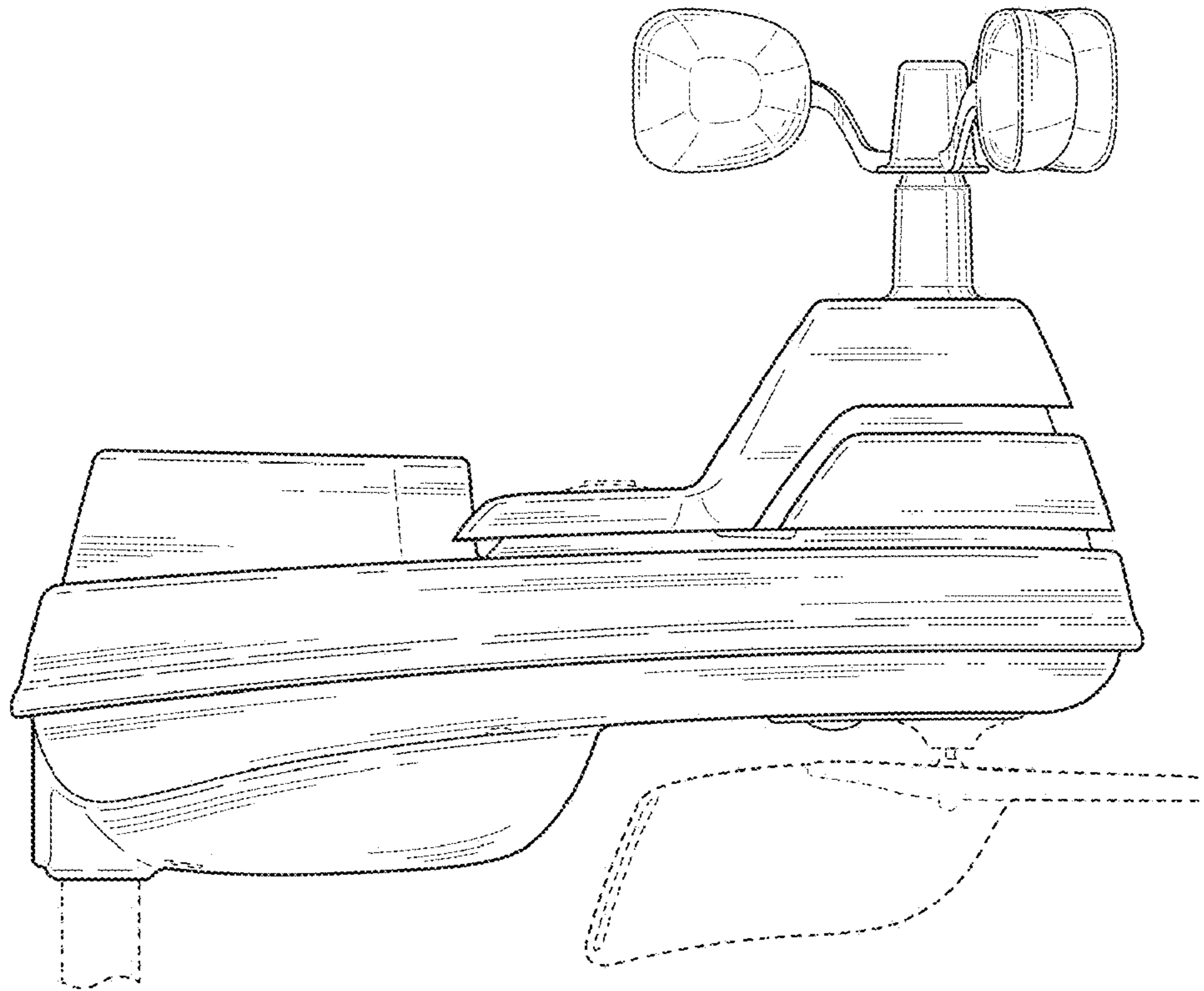


FIG. 2

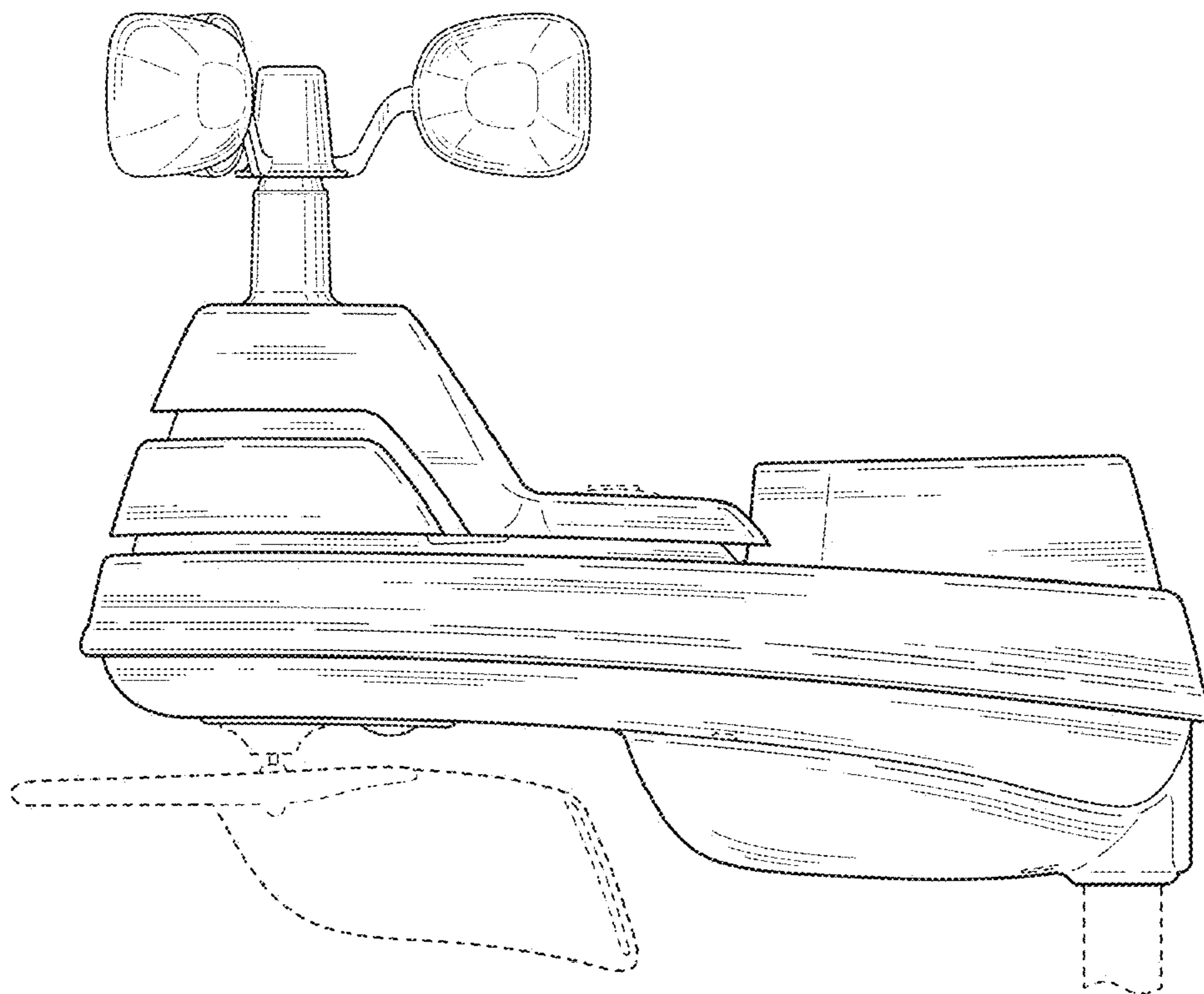


FIG. 3

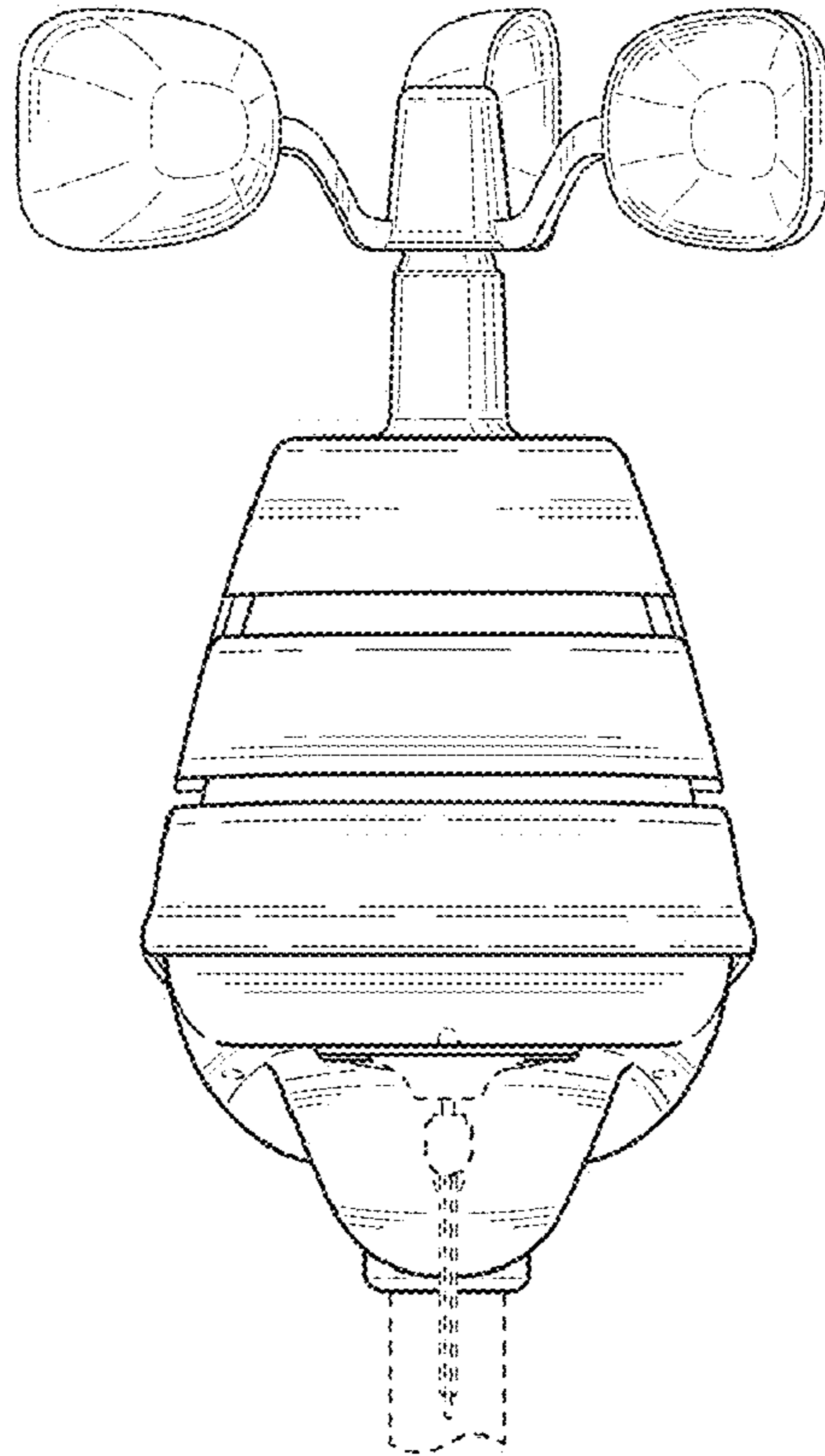


FIG. 4

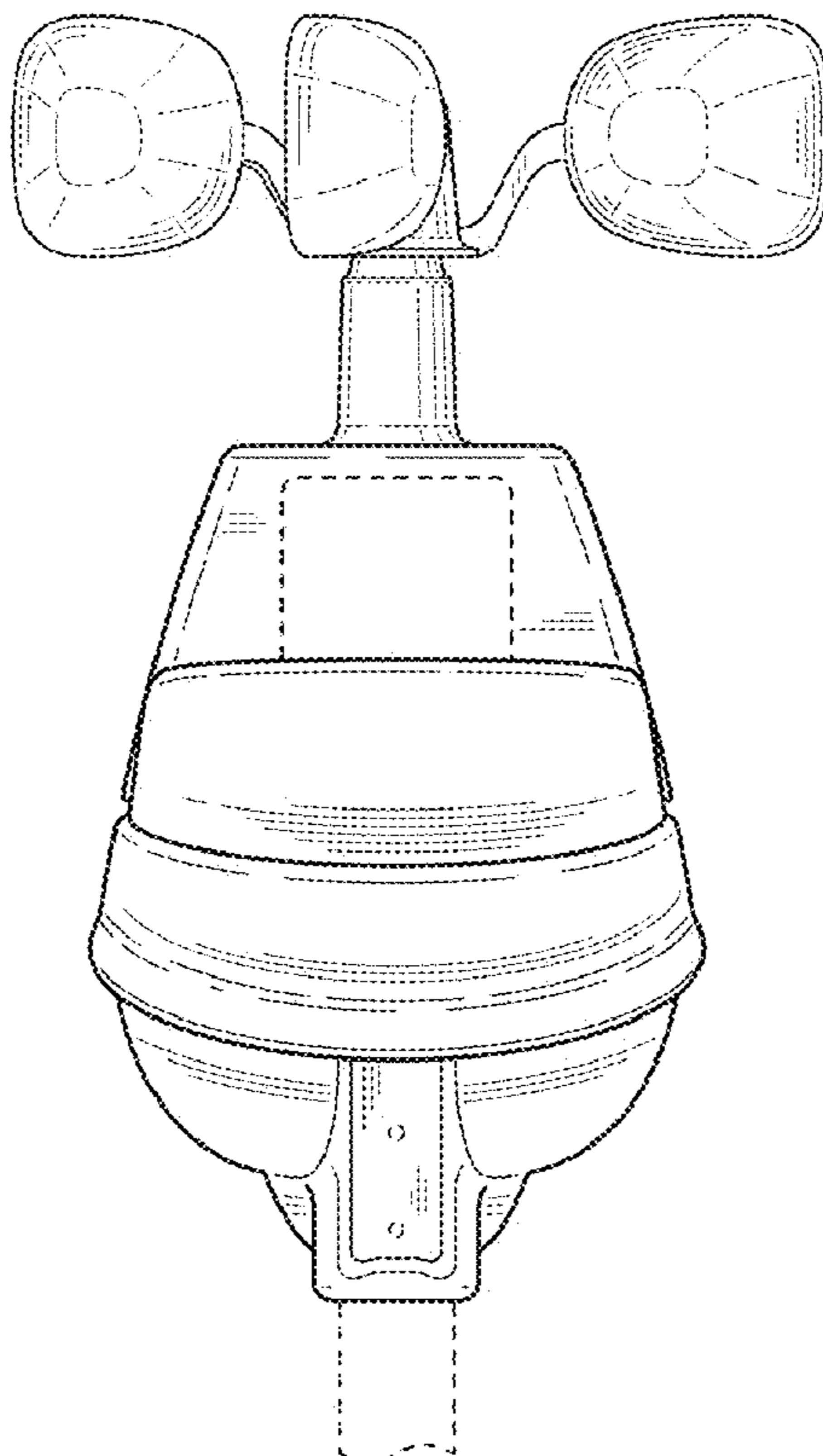


FIG. 5



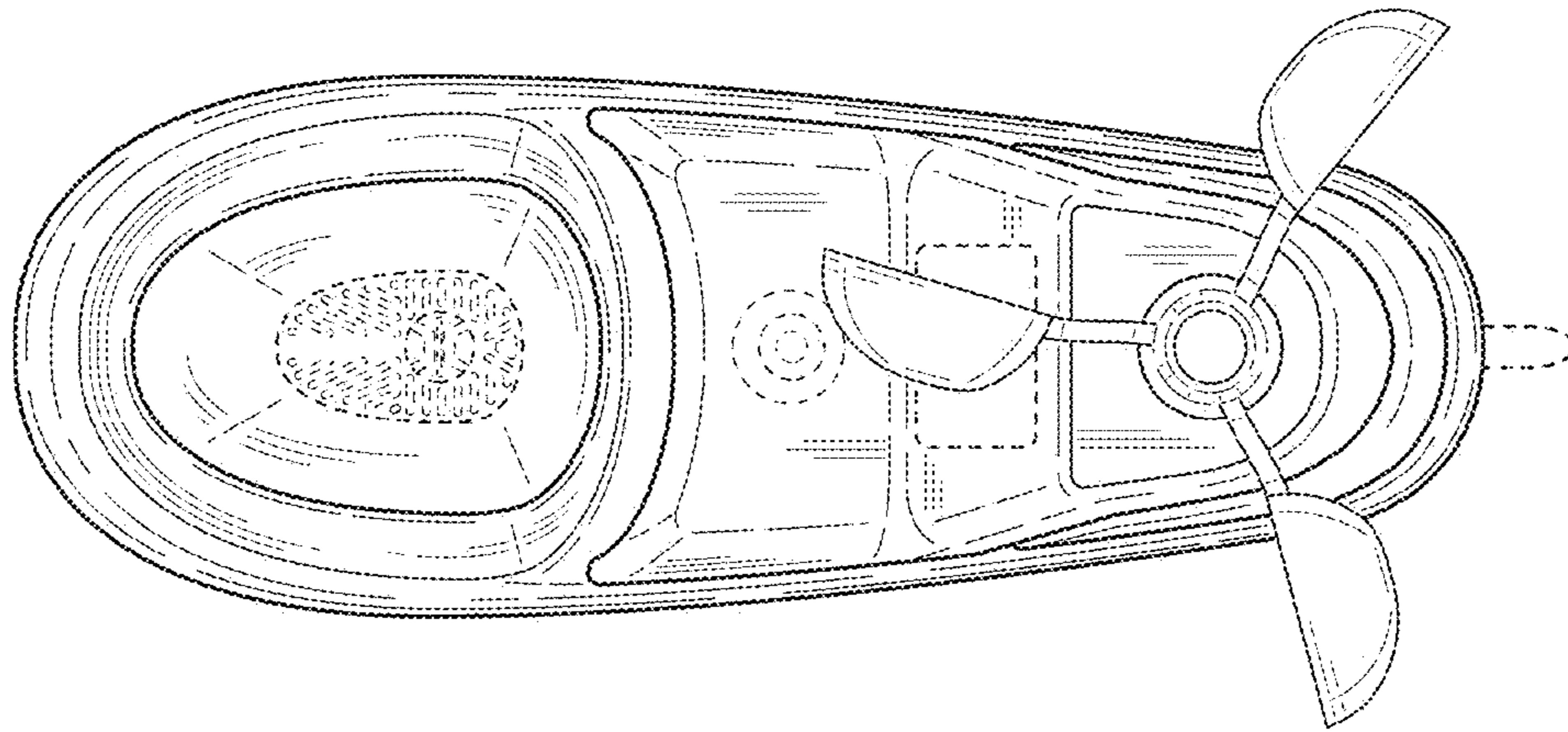


FIG. 6

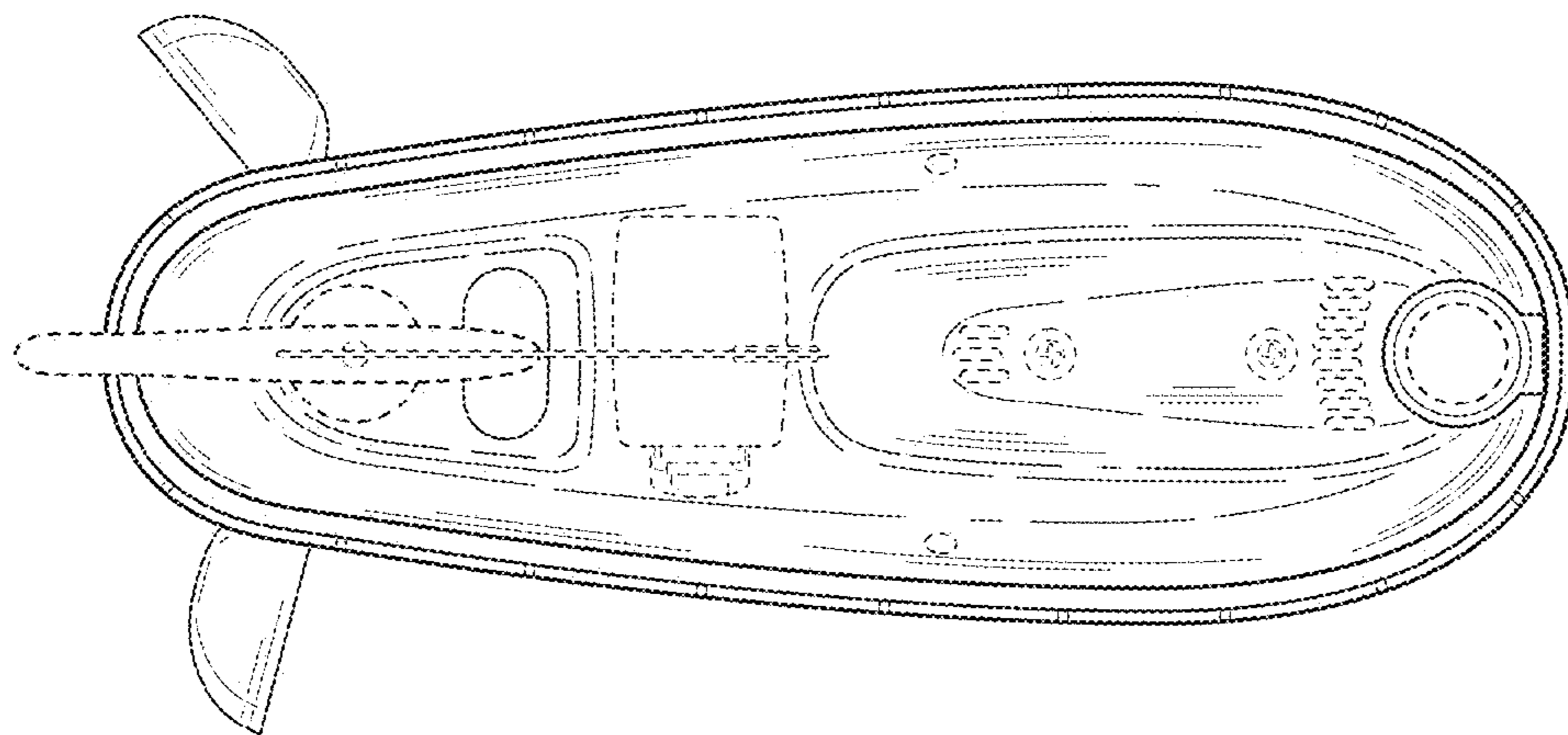


FIG. 7

UNITED STATES PATENT AND TRADEMARK OFFICE  
**CERTIFICATE OF CORRECTION**

PATENT NO. : D675,944 S  
APPLICATION NO. : 29/401054  
DATED : February 12, 2013  
INVENTOR(S) : Murphy et al.

Page 1 of 1

It is certified that error appears in the above-identified patent and that said Letters Patent is hereby corrected as shown below:

**ON THE TITLE PAGE, AT ITEM [73]:**

Please replace "Combex, Inc." with

-- Combex, Inc. dba Chaney Instrument Company --

Signed and Sealed this  
Seventeenth Day of September, 2013



Teresa Stanek Rea  
*Deputy Director of the United States Patent and Trademark Office*